



US00D362581S

United States Patent [19]

[11] Patent Number: **Des. 362,581**

Rogers

[45] Date of Patent: ****Sep. 26, 1995**

[54] **TOWER FOR A BEVERAGE DISPENSER**

D. 339,717	9/1993	Guerra	D7/392
2,027,225	2/1936	Gill	D9/307
5,232,129	8/1993	Guerra	D7/308 X

[75] Inventor: **Brian P. J. Rogers**, Dundrum Dublin, Ireland

OTHER PUBLICATIONS

[73] Assignee: **The Coca-Cola Company**, Atlanta, Ga.

Dispenser (Bottom left), Restaurants And Institutions p. 62, Jun. 1, 1982.

[**] Term: **14 Years**

Primary Examiner—Alan P. Douglas
Assistant Examiner—M. N. Pandozzi
Attorney, Agent, or Firm—Thomas R. Boston; Lynne R. O'Brien

[21] Appl. No.: **20,169**

[22] Filed: **Mar. 17, 1994**

[52] U.S. Cl. **D7/301; D7/308; D7/300**

[58] Field of Search D7/300, 304, 305, D7/306, 307, 308, 392, 301, 397; 222/129.1, 129.2, 129.3, 129.4; D9/307

[57] CLAIM

The ornamental design for a tower for a beverage dispenser, as shown and described.

[56] References Cited

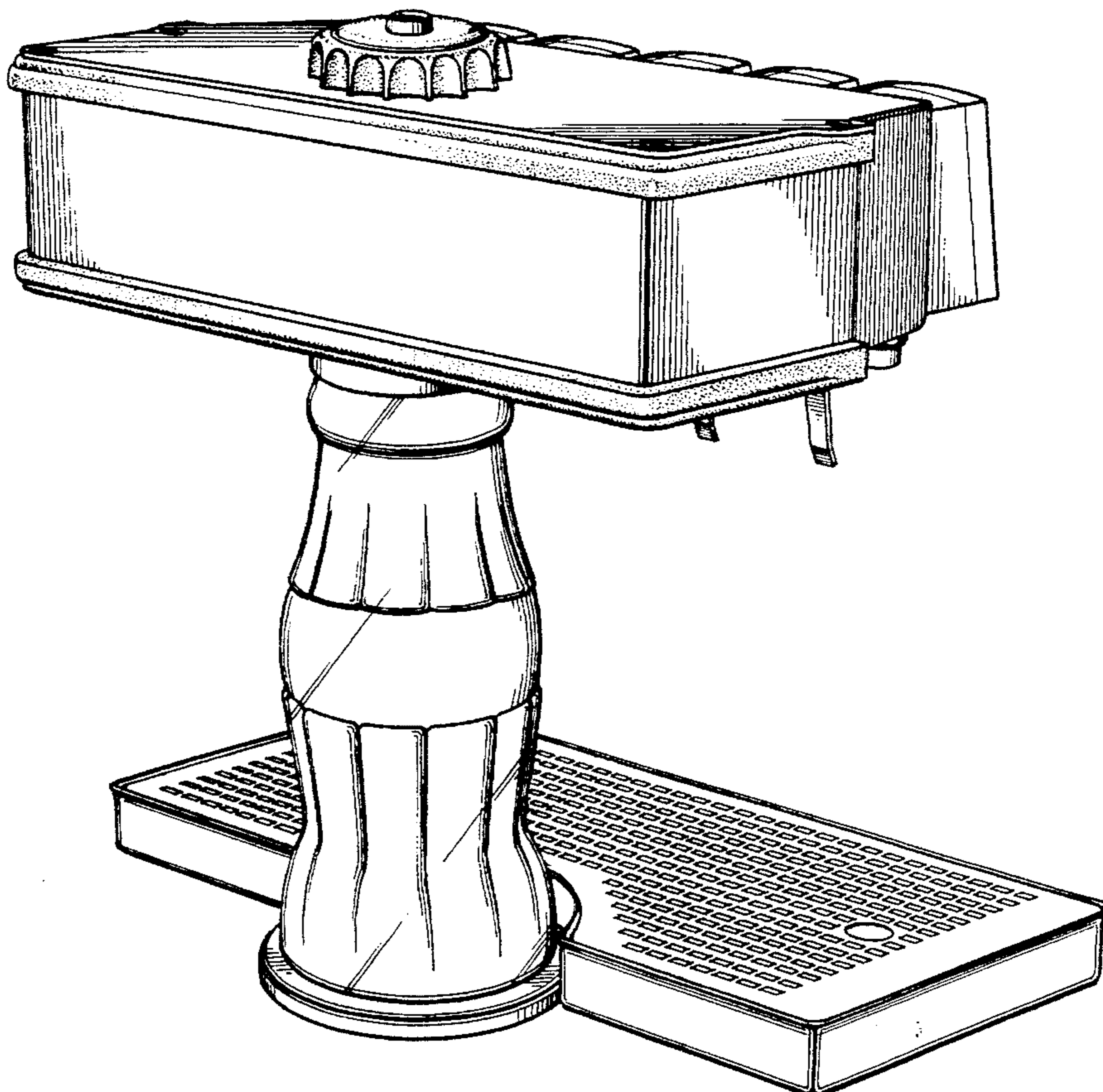
DESCRIPTION

U.S. PATENT DOCUMENTS

- D. 63,657 12/1923 Root .
- D. 105,529 8/1937 Kelly .
- D. 108,094 1/1938 Wilson .
- D. 151,779 11/1948 Lloyd .
- D. 200,997 5/1965 Reichon .
- D. 202,688 11/1965 Cornelius et al. .
- D. 218,083 7/1970 Hartley .
- D. 238,721 2/1976 Buffington .
- D. 259,725 6/1981 Wasserstrom et al. .
- D. 260,996 9/1981 Cornett D7/311
- D. 301,193 5/1989 Schechter et al. .
- D. 305,857 2/1990 Schechter et al. .

FIG. 1 is a top front right side perspective view of a tower for a beverage dispenser showing my new design;
 FIG. 2 is a right side elevational view thereof;
 FIG. 3 is a left side elevational view thereof;
 FIG. 4 is a front elevational view thereof;
 FIG. 5 is a top plan view thereof;
 FIG. 6 is a rear elevational view thereof;
 FIG. 7 is a bottom plan view thereof with the base removed for ease of illustration;
 FIG. 8 is a top view taken along line 8—8 of FIG. 6; and,
 FIG. 9 is a bottom plan thereof.

1 Claim, 6 Drawing Sheets



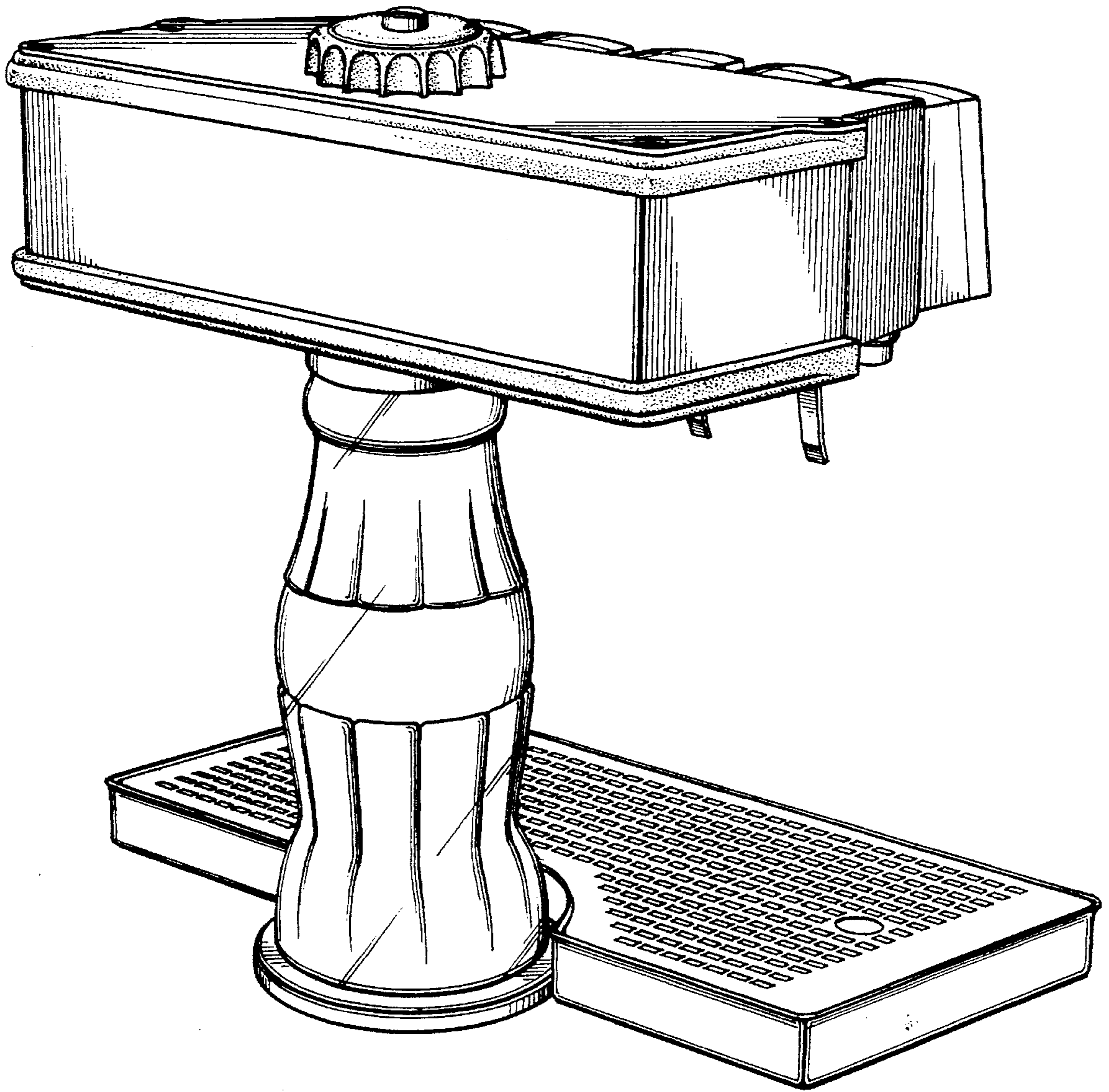


FIG 1

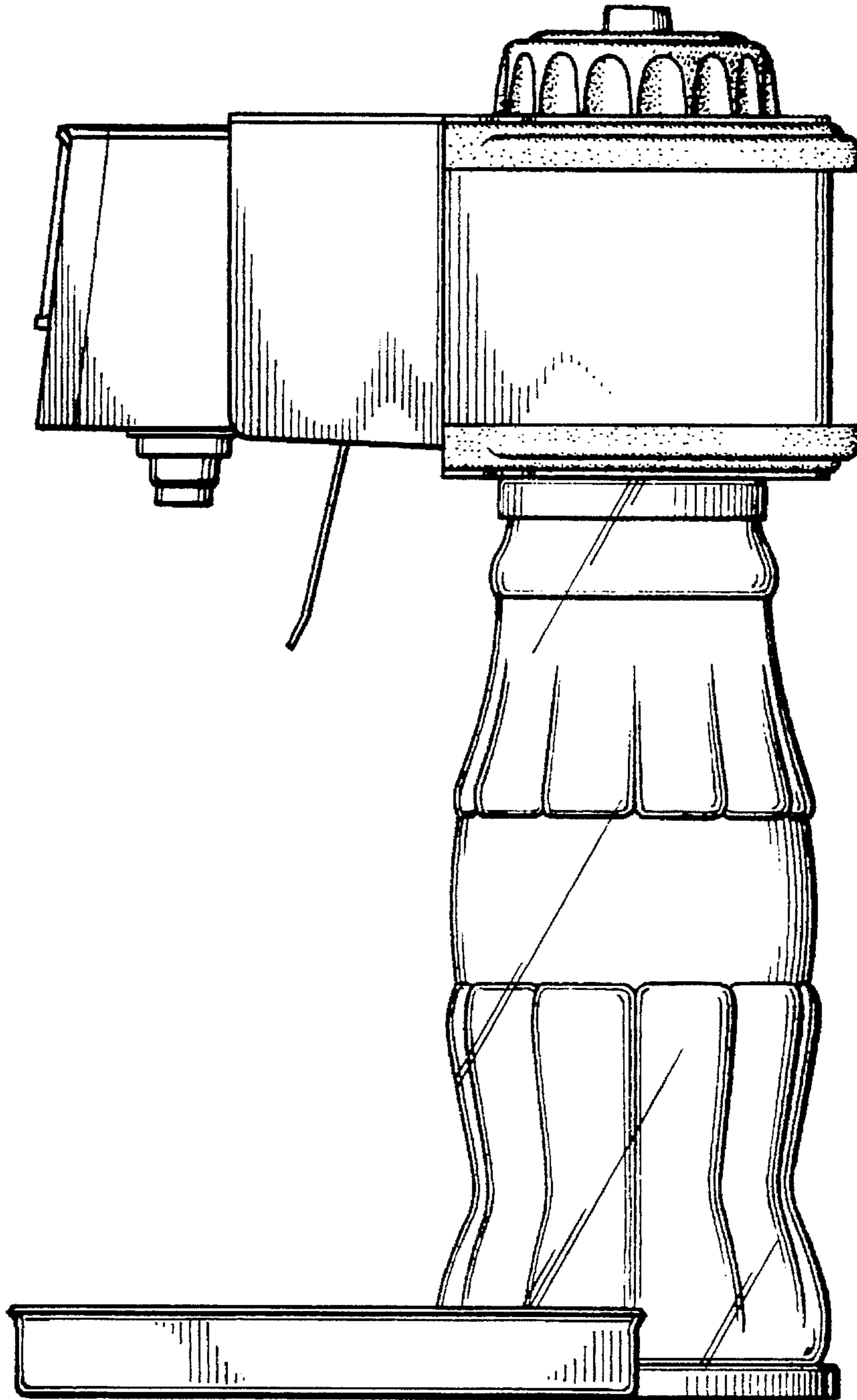


FIG 2

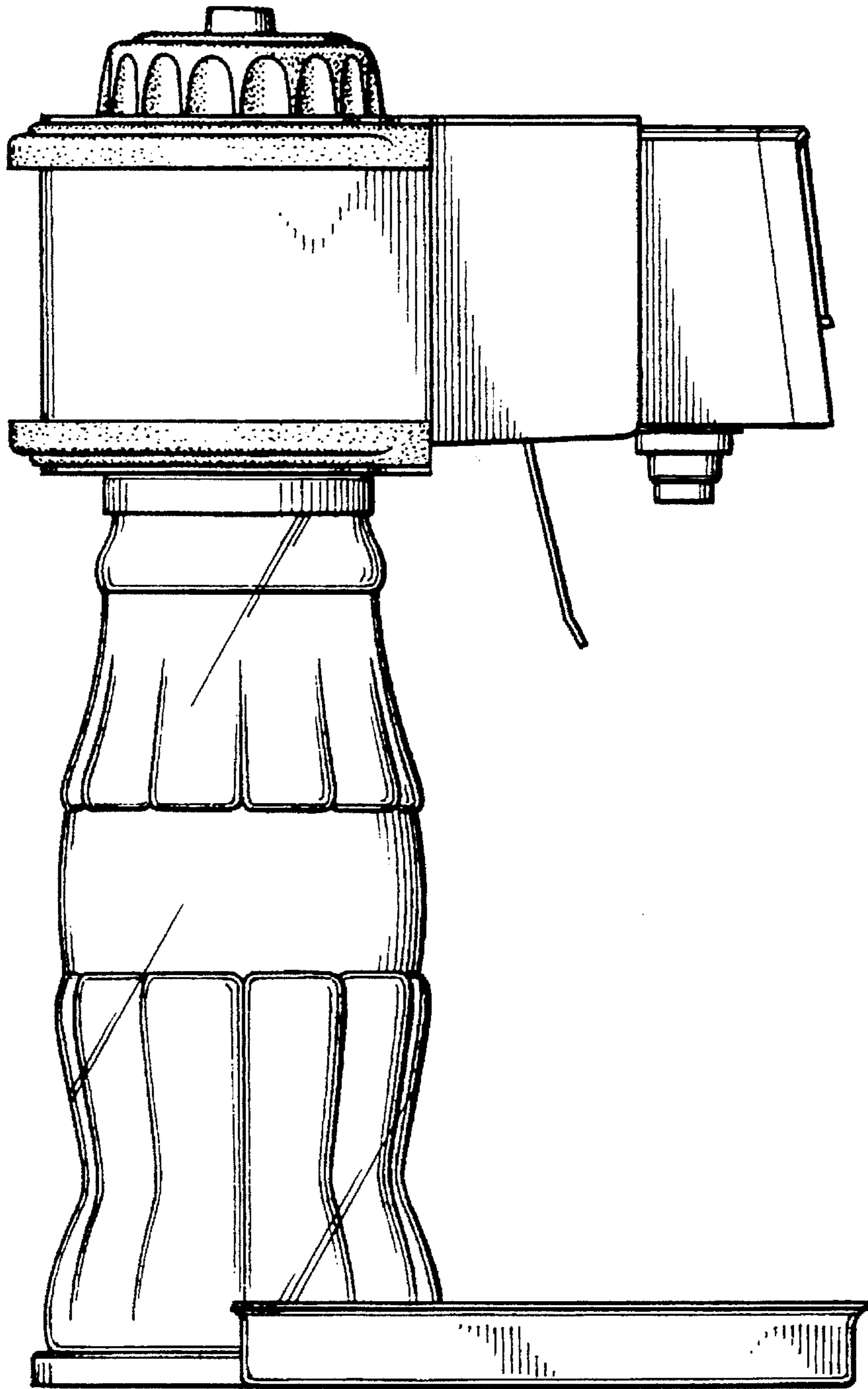


FIG 3

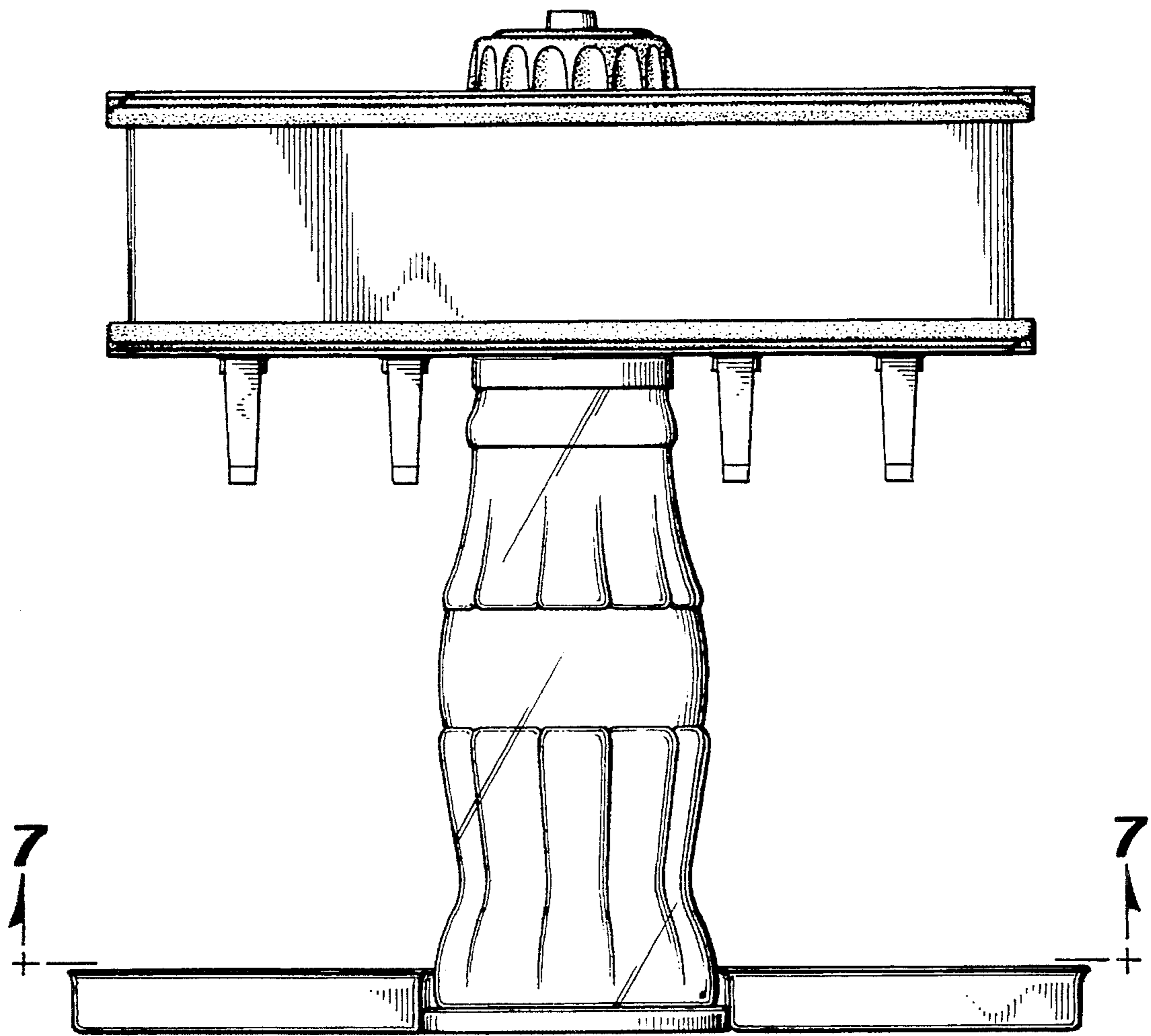


FIG 4

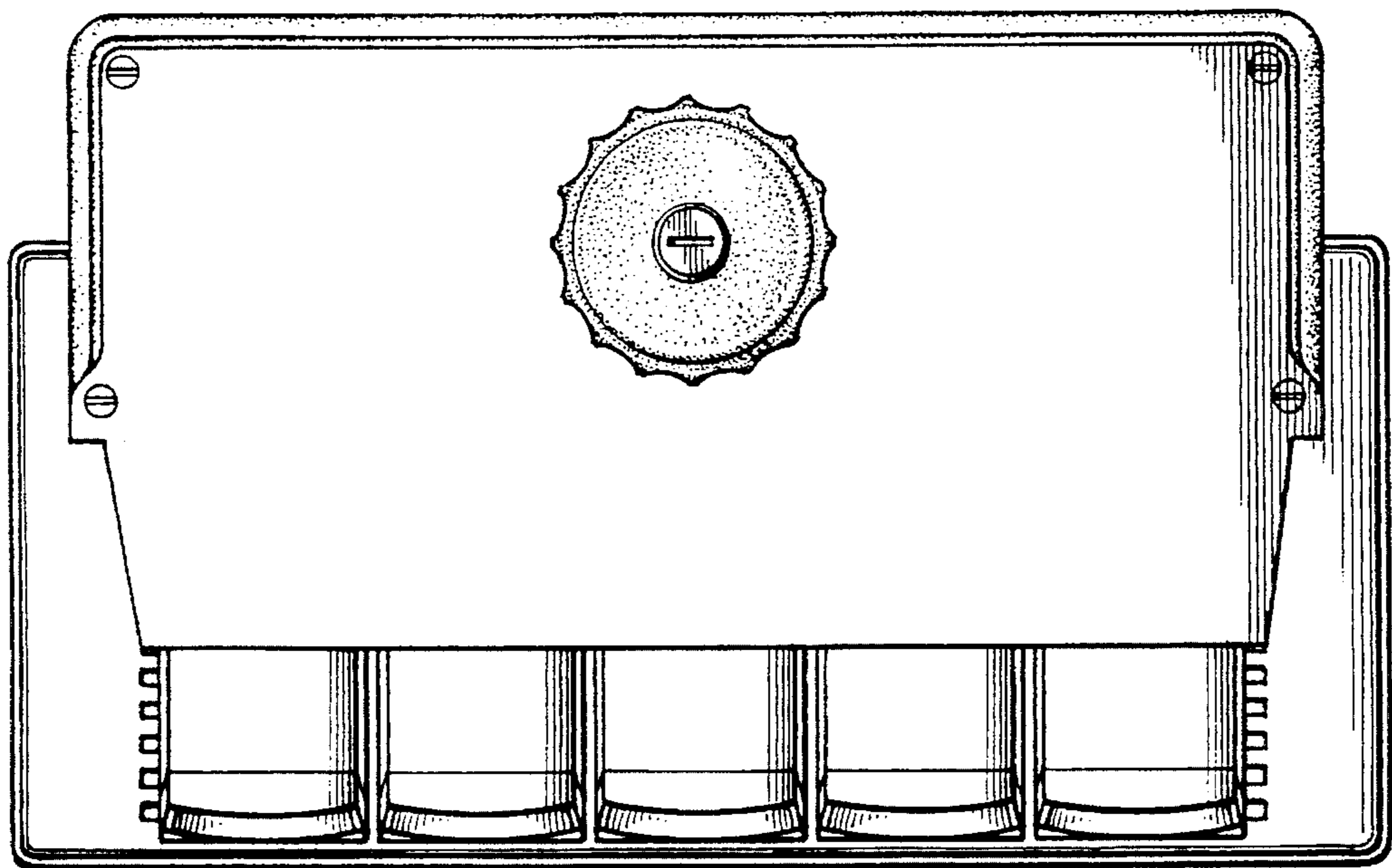
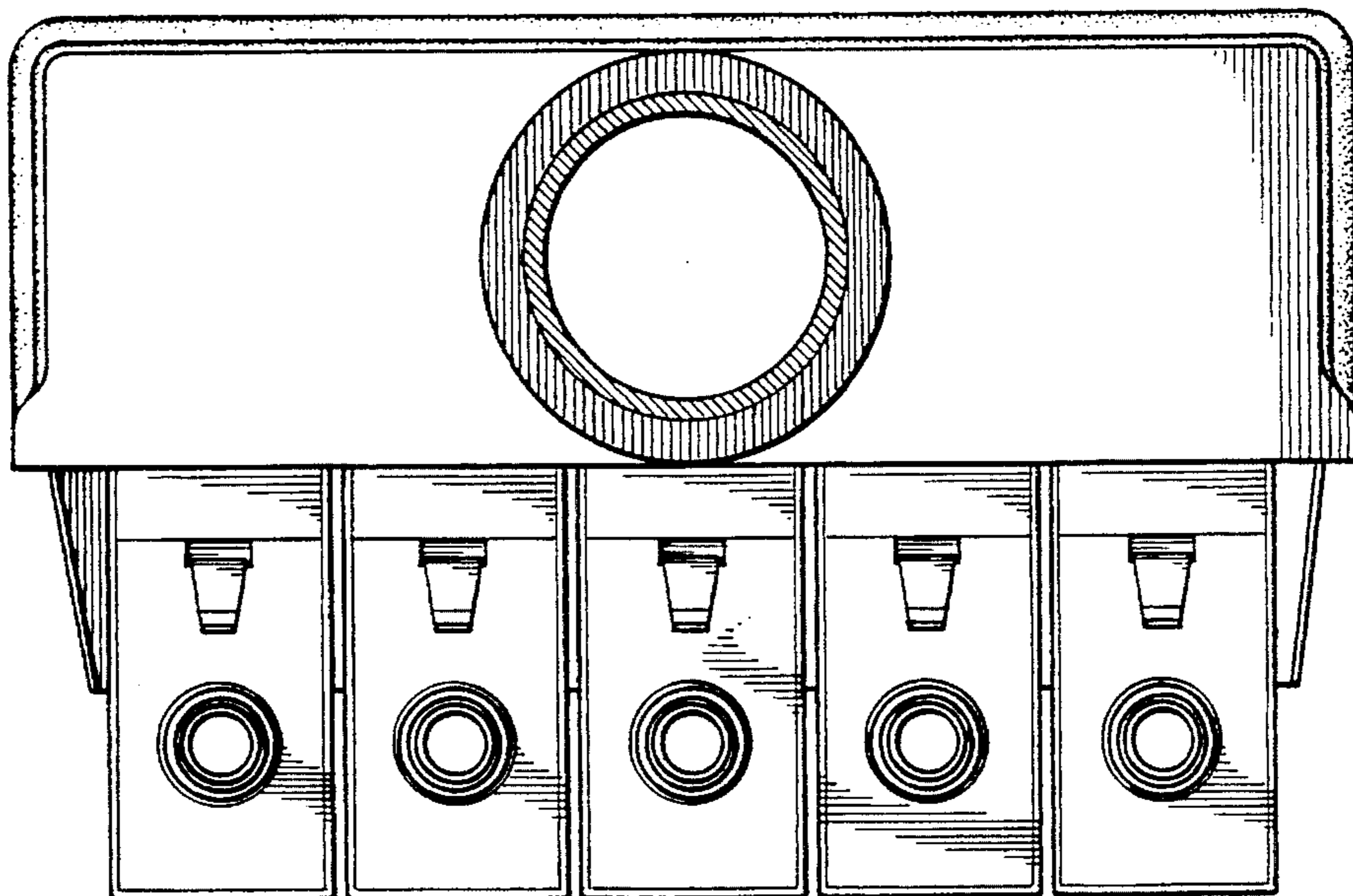
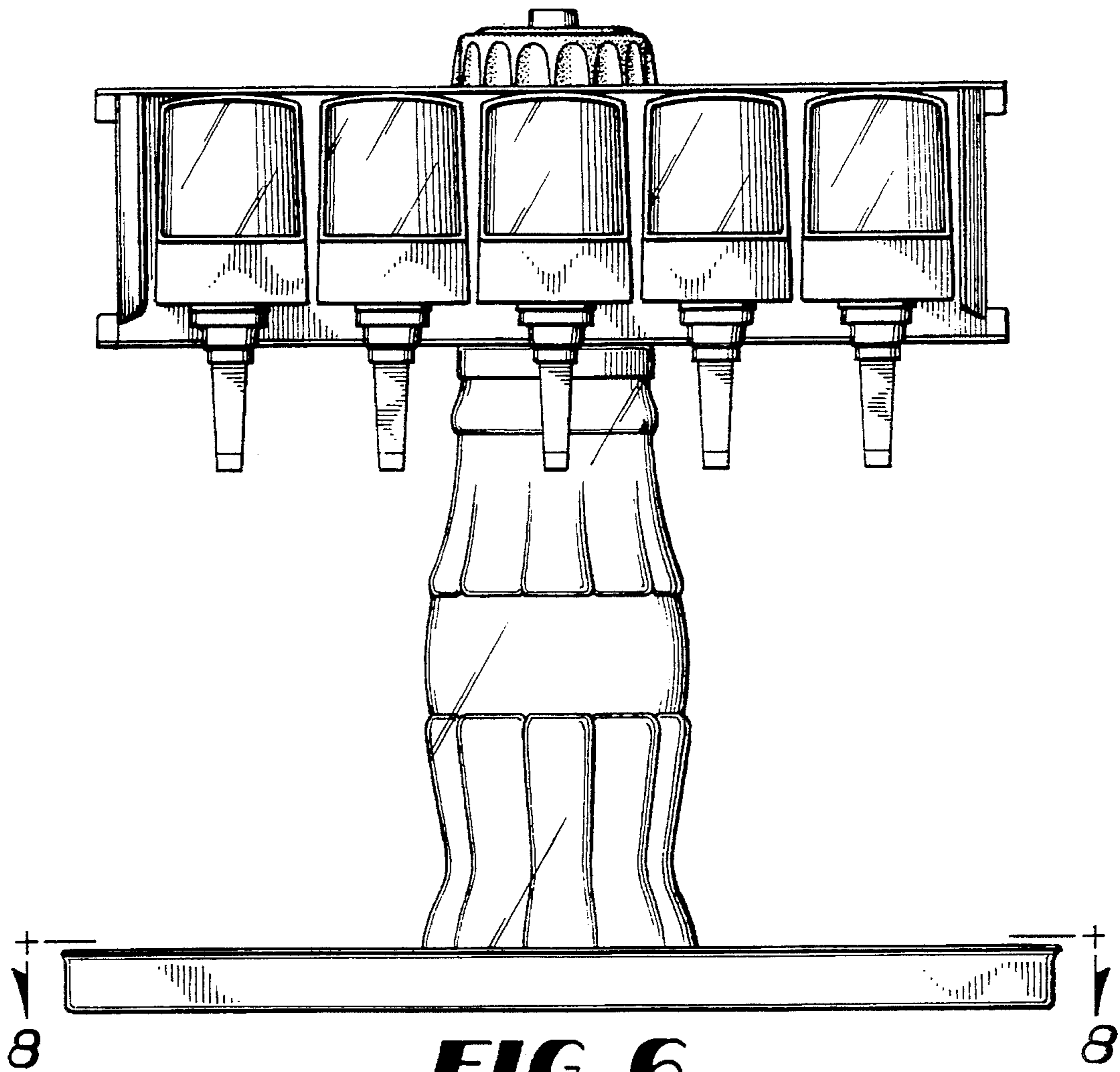


FIG 5



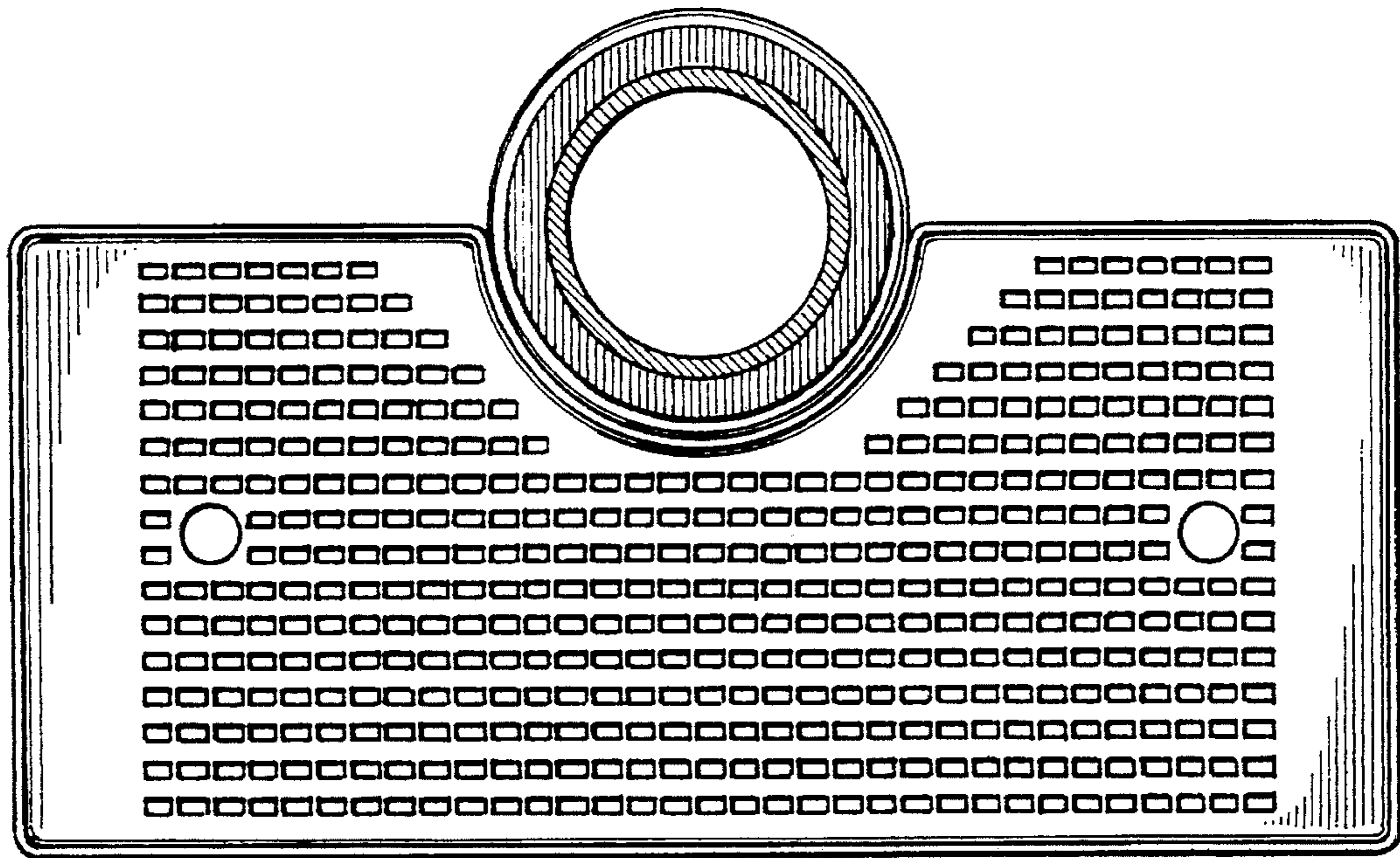


FIG 8

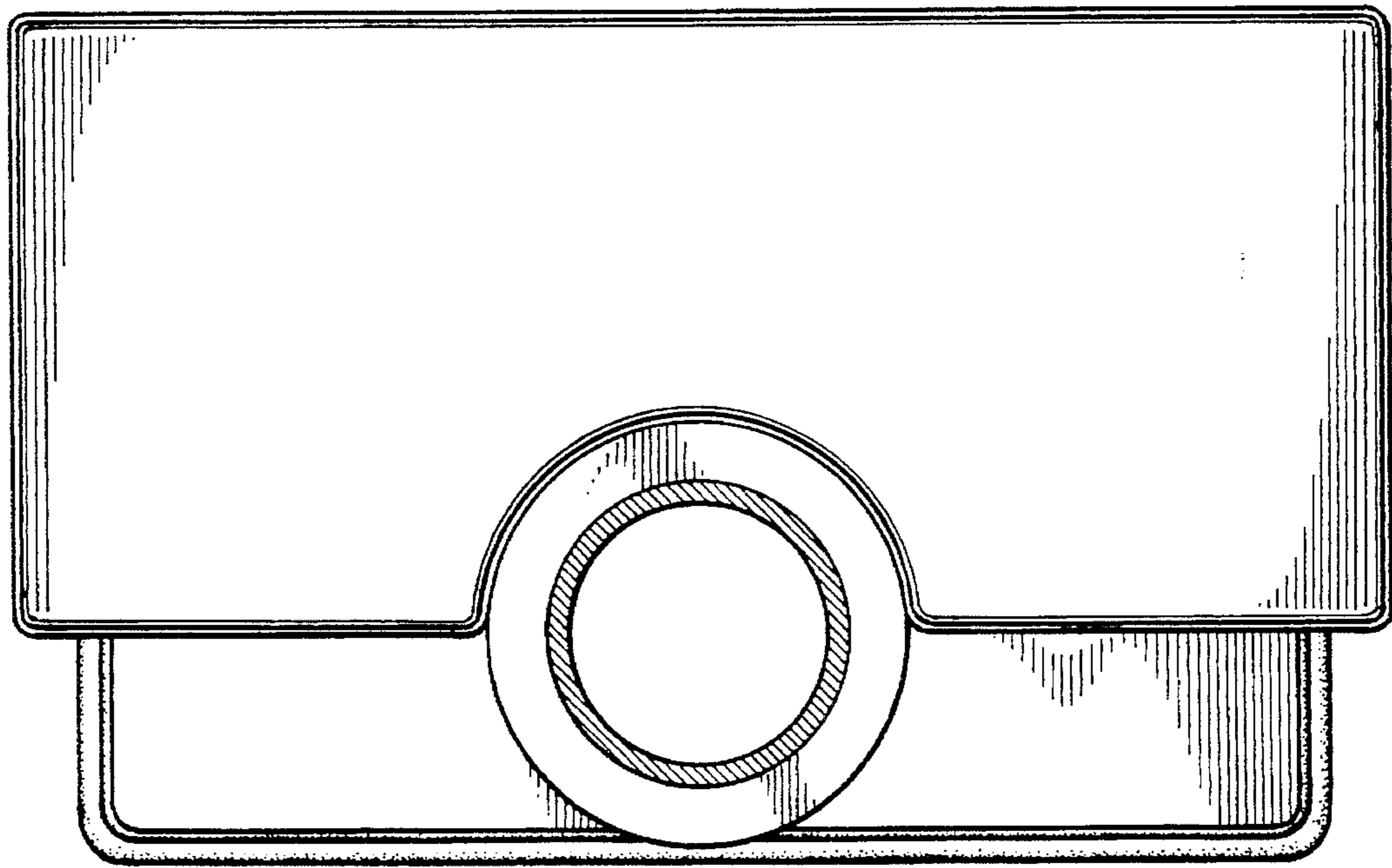


FIG 9