



US00D362573S

United States Patent [19]

[11] Patent Number: **Des. 362,573**

Finlayson et al.

[45] Date of Patent: ****Sep. 26, 1995**

[54] **TOP FOR FURNITURE**

[75] Inventors: **Bruce M. Finlayson**, Madison, Wis.;
John P. VanKammen, Belmont; **David C. Walsweer**, Lowell, both of Mich.

[73] Assignee: **Steelcase Inc.**, Grand Rapids, Mich.

[**] Term: **14 Years**

[21] Appl. No.: **24,566**

[22] Filed: **Jun. 16, 1994**

[52] U.S. Cl. **D6/511**

[58] Field of Search D6/480-489, 495,
D6/497, 498, 499, 511, 451, 429, 422-428;
108/161; 312/194, 195

[56] **References Cited**

U.S. PATENT DOCUMENTS

D. 19,410	11/1889	Billings .	
D. 39,543	9/1908	Sally .	
D. 71,471	11/1926	McCargar .	
D. 86,951	5/1932	Ericson .	
D. 121,693	7/1940	Nelson et al. .	
D. 134,717	1/1943	Braun .	
D. 143,469	1/1946	Danziger	D33/7
D. 158,524	5/1950	Spence	D6/430
D. 255,516	6/1980	Pittman	D6/430
D. 292,151	10/1987	Becker	D6/428
D. 293,051	12/1987	Lemmeyer et al.	D6/484
D. 293,526	1/1988	Keller	D6/446
D. 293,527	1/1988	Keller	D6/446
D. 294,544	3/1988	Kyle	D6/428
D. 295,804	5/1988	Tarlow	D6/441
D. 303,328	9/1989	Syme et al.	D6/335

D. 304,268	10/1989	Bartlett	D6/428
D. 313,518	1/1991	Bush et al.	D6/428
D. 324,789	3/1992	White	D6/445
D. 331,504	12/1992	Shepherd	D6/428
4,323,291	4/1982	Ball	312/194
5,024,167	6/1991	Hayward	108/50
5,130,494	7/1992	Simonton et al.	174/48

OTHER PUBLICATIONS

Estorada by Drexel, Jul. 23, 1969, #487-126 Desk, p. 30.
Cameo Classics by heritage, c 1979, p. 2, table at top.

Primary Examiner—Janice E. Seeger
Attorney, Agent, or Firm—Price, Heneveld, Cooper, DeWitt & Litton

[57] CLAIM

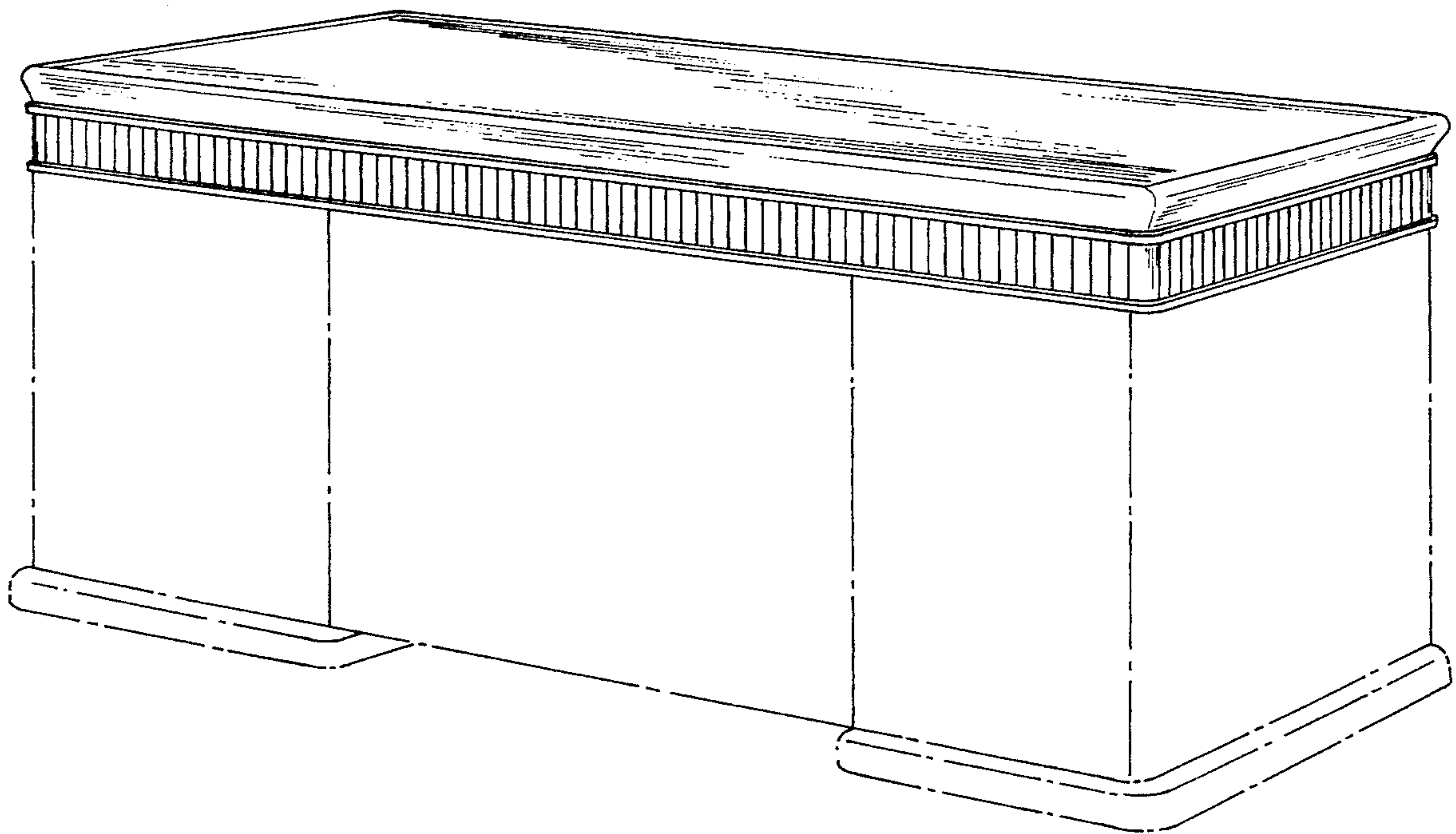
The ornamental design for a top for furniture, as shown and described.

DESCRIPTION

FIG. 1 is a front perspective view of a top for furniture showing our new design;
FIG. 2 is a rear perspective view thereof;
FIG. 3 is a front elevational view thereof;
FIG. 4 is a rear elevational view thereof;
FIG. 5 is a side elevational view thereof;
FIG. 6 is an enlarged fragmentary front perspective view showing our design applied to an alternative piece of furniture; and,
FIG. 7 is an enlarged detail of the rear perspective view of FIG. 2.

The broken lines are for environmental purposes only and form no part of the claimed design.

1 Claim, 4 Drawing Sheets



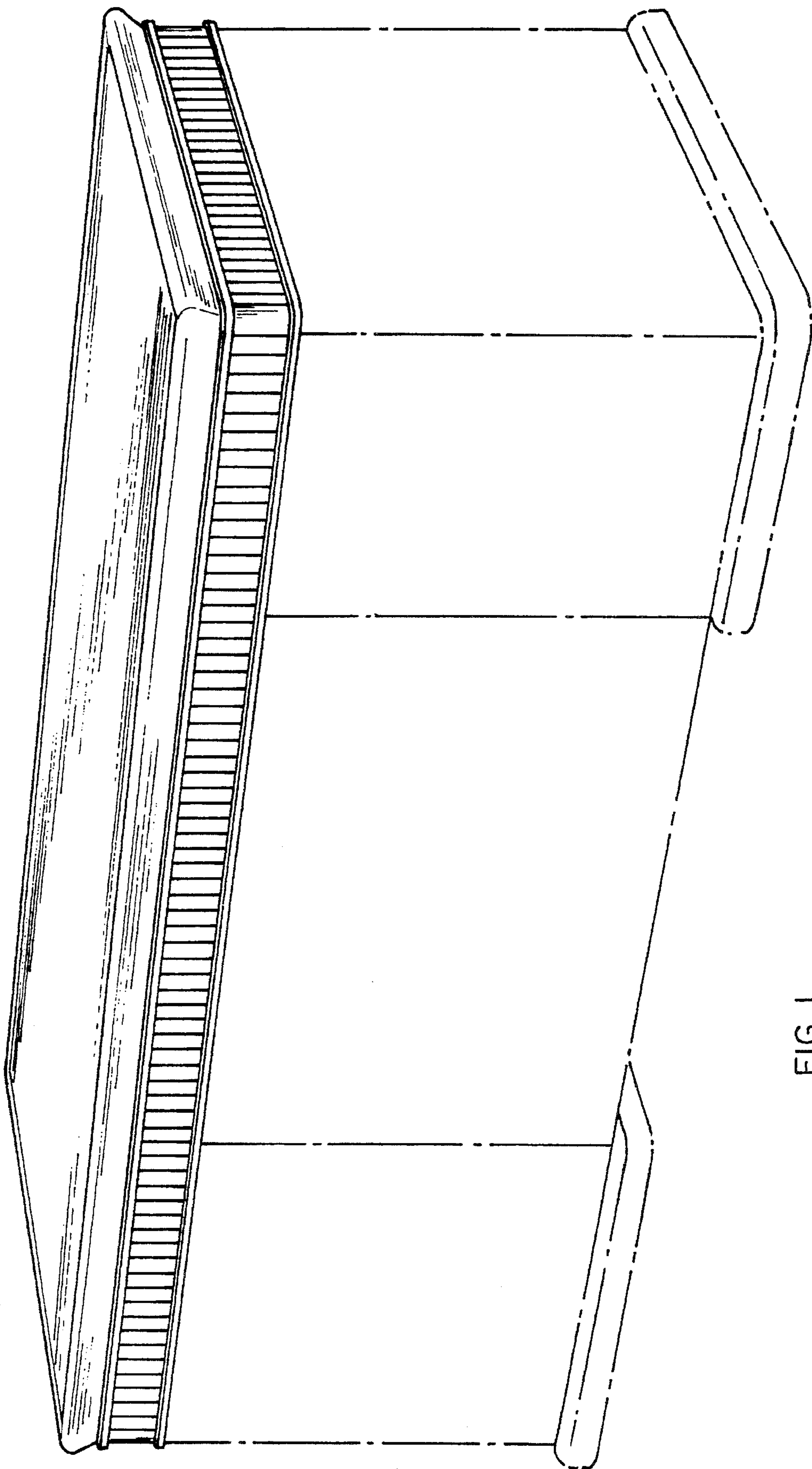


FIG. 1

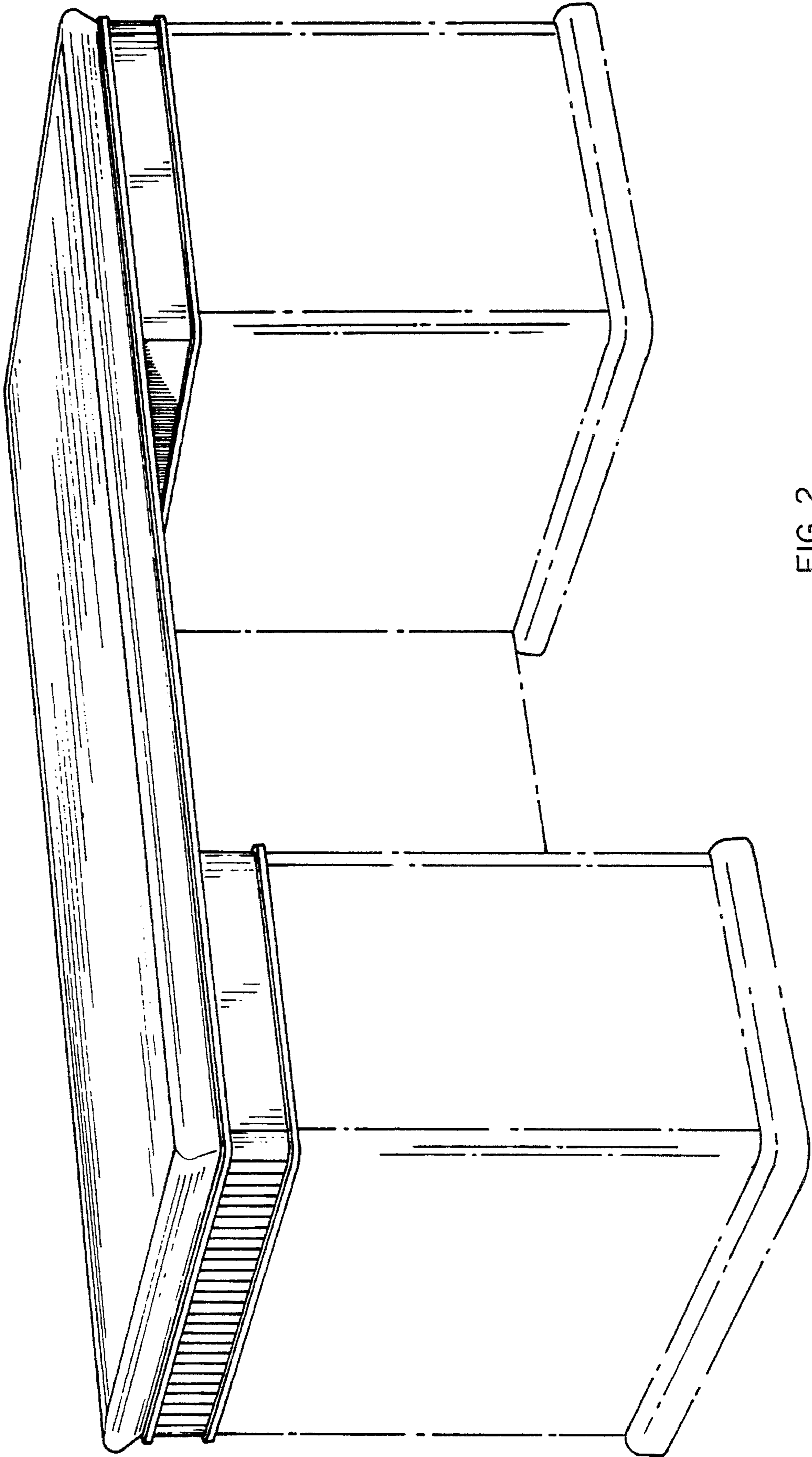


FIG. 2

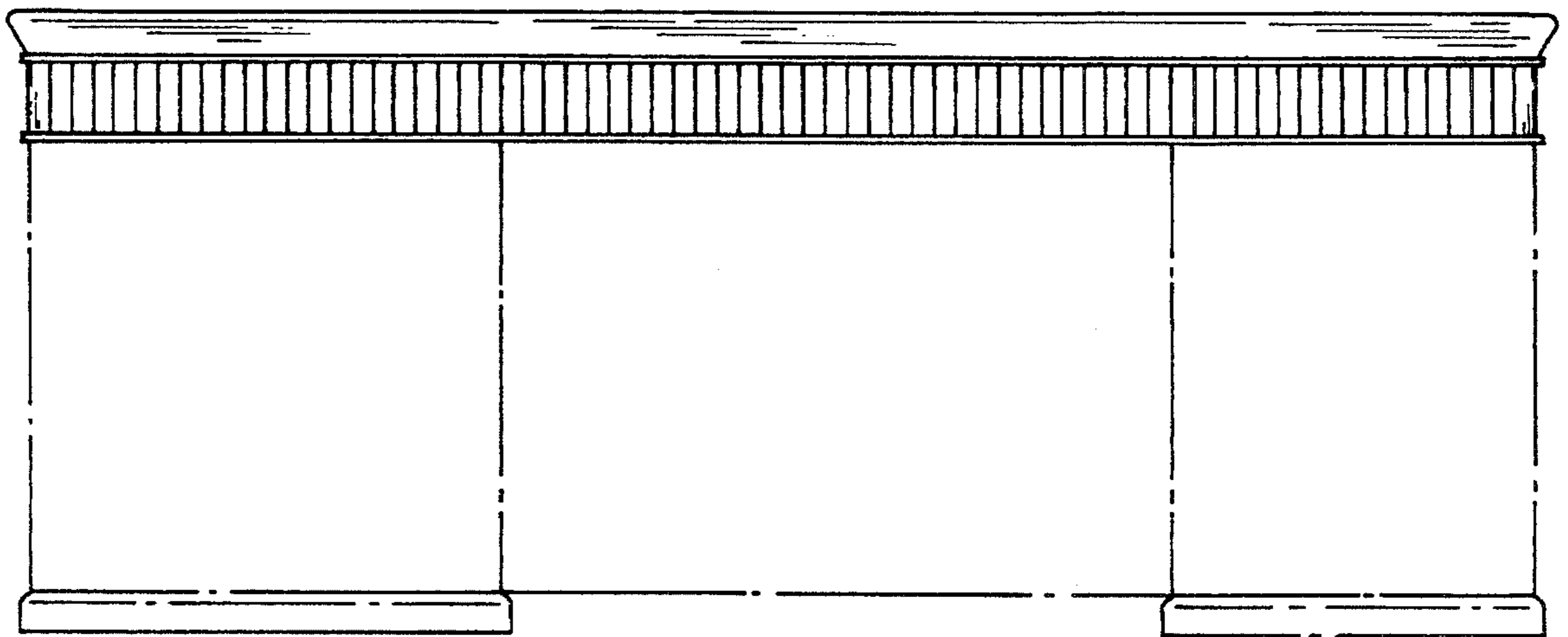


FIG. 3

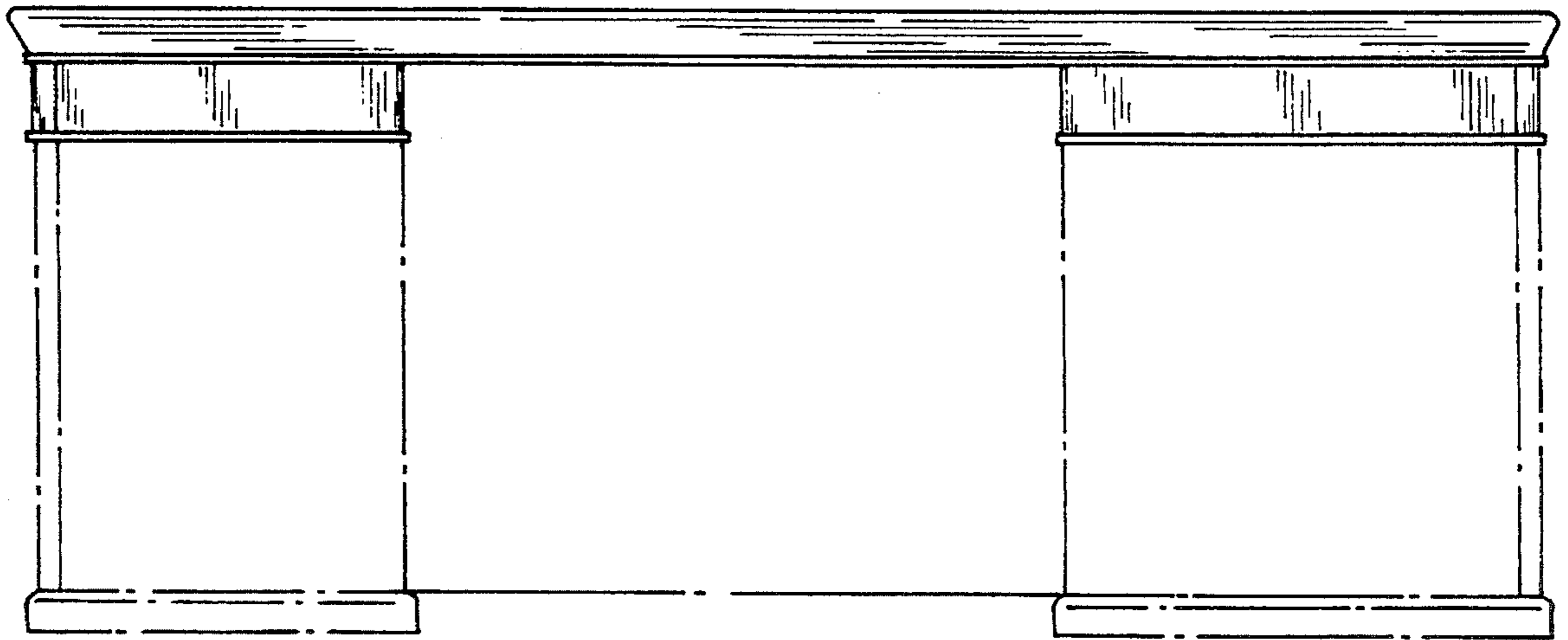


FIG. 4

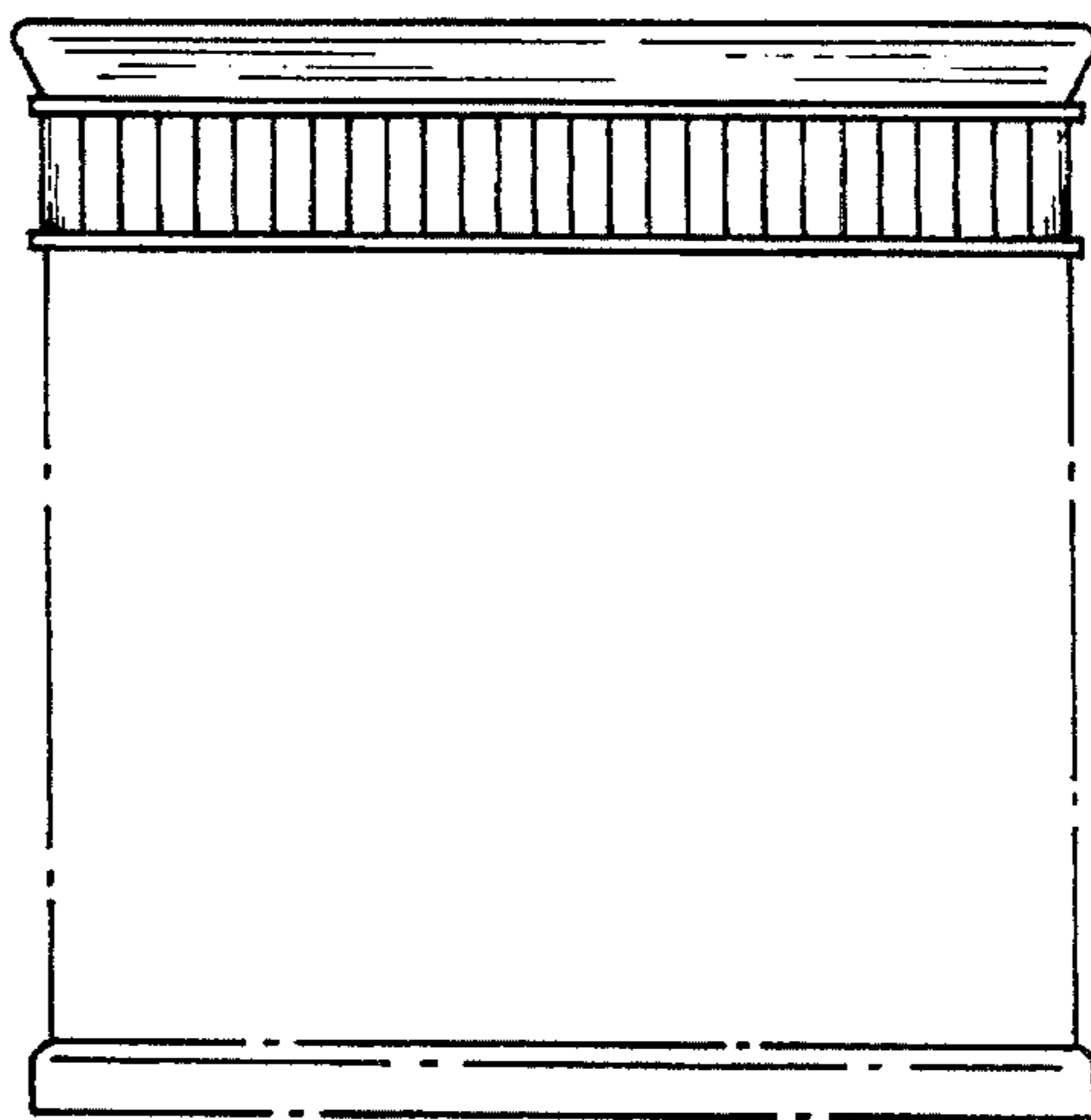


FIG. 5

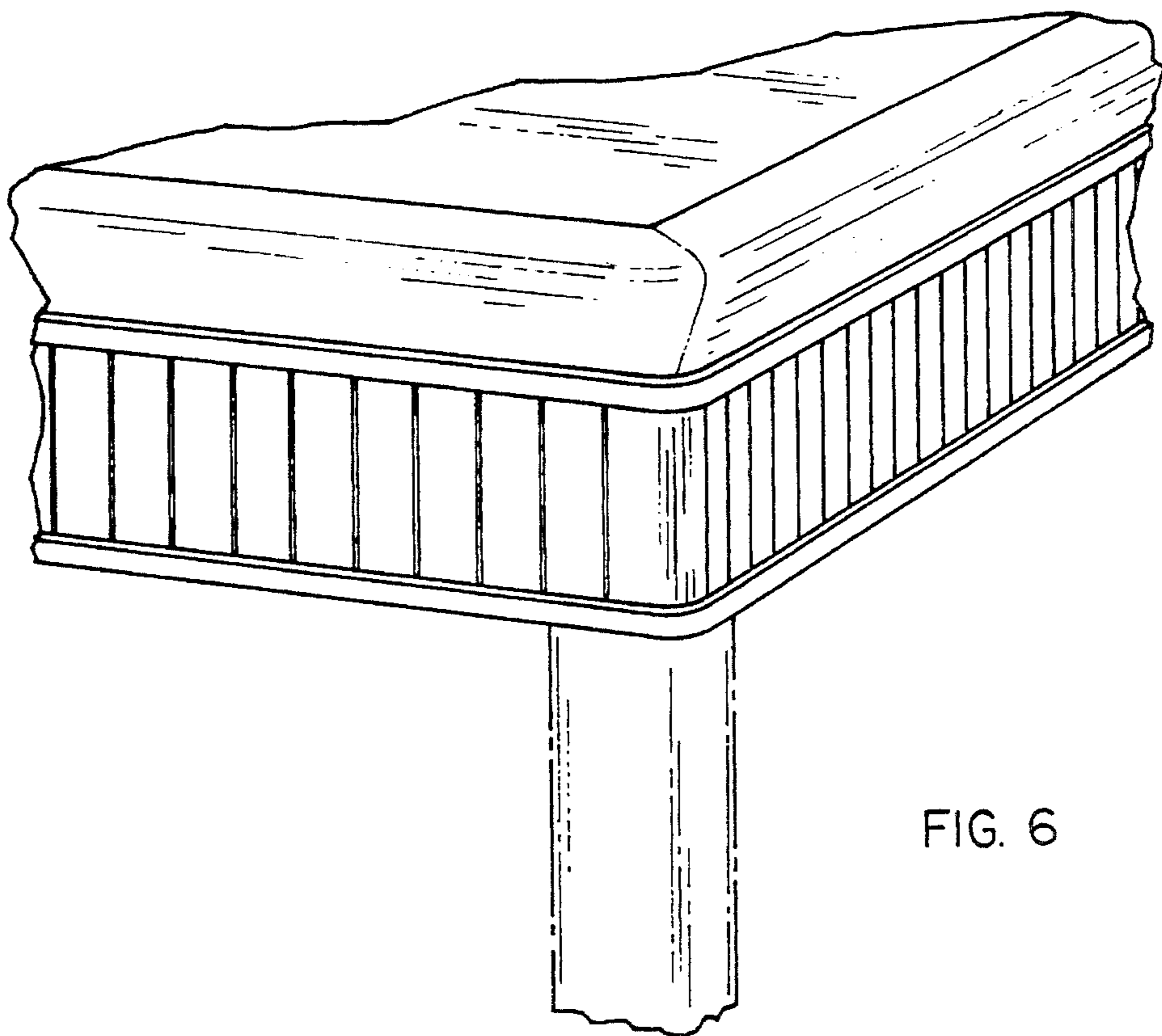


FIG. 6

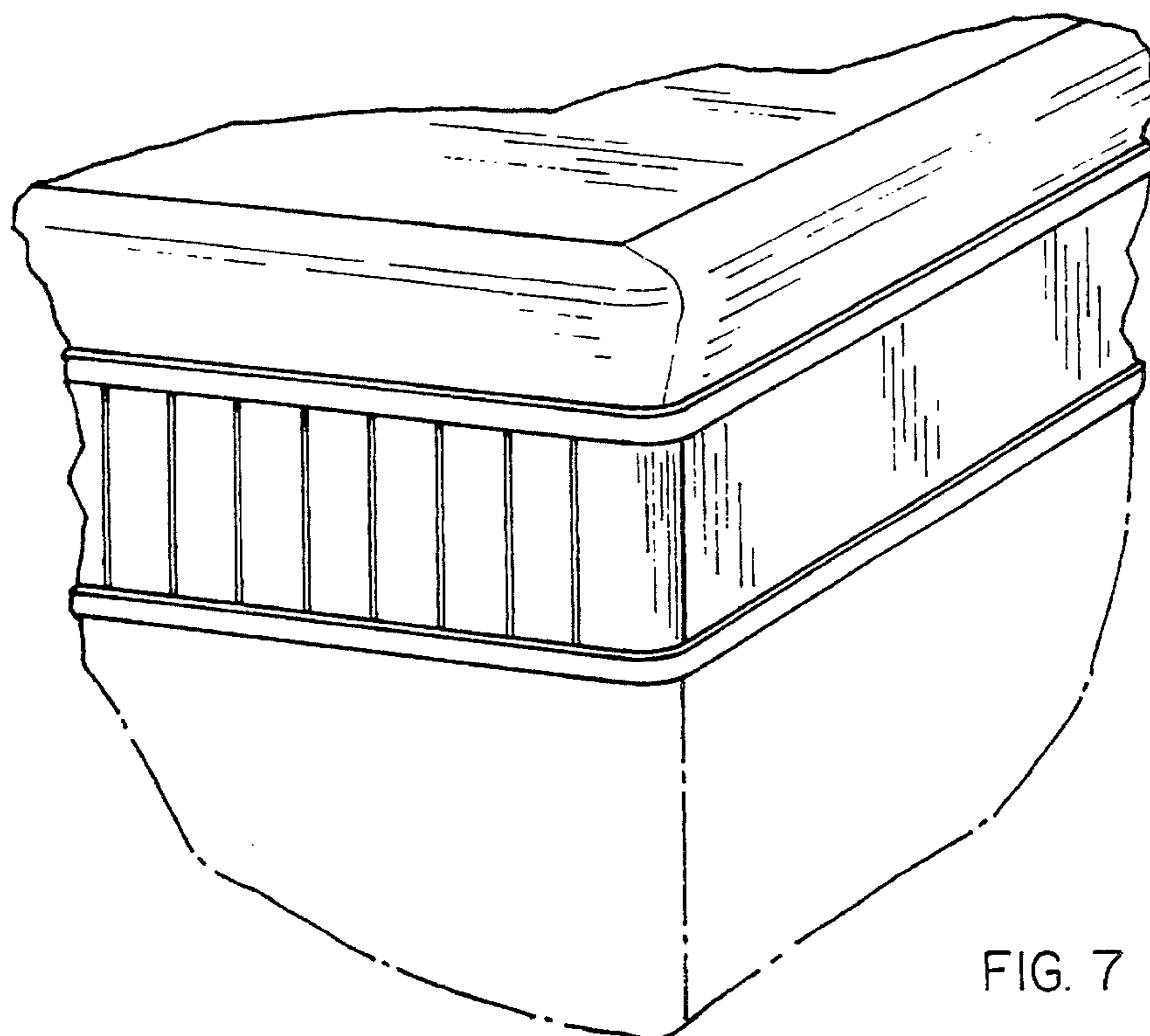


FIG. 7