



US00D362572S

United States Patent [19]

[11] Patent Number: **Des. 362,572**

Joseph, Jr.

[45] Date of Patent: ****Sep. 26, 1995**

[54] TRAY USED IN A DISPLAY

[75] Inventor: **Clifford R. Joseph, Jr.**, Decatur, Ga.

[73] Assignee: **Ford Trading Company**, Atlanta, Ga.

[**] Term: **14 Years**

[21] Appl. No.: **17,001**

[22] Filed: **Jan. 3, 1994**

[52] U.S. Cl. **D6/511; D19/92**

[58] Field of Search **D6/491, 477-479, D6/509-511, 461; 108/25, 27, 152, 144; 211/153, 187, 188; D19/92**

[56] References Cited

U.S. PATENT DOCUMENTS

D. 199,942	12/1964	Tintary	D6/461
D. 266,772	11/1982	Sayers	D19/92
D. 272,637	2/1984	Barbieri et al.	D19/92
D. 330,819	11/1992	Dickenson	D6/479
5,158,187	10/1992	Taub	211/153 X

OTHER PUBLICATIONS

Eldon-Rubbermaid© 1992 #3070 tray at top center.

Primary Examiner—Janice E. Seeger

Attorney, Agent, or Firm—Needle & Rosenberg

[57] CLAIM

The ornamental design for a tray used in a display, as shown and described.

DESCRIPTION

FIG. 1 is a perspective view of the new design for a tray used in a display;

FIG. 2 is a top plan view of the device shown in FIG. 1;

FIG. 3 is a side elevational view of the device in FIG. 1;

FIG. 4 is an end elevational view of the device shown in FIG. 1;

FIG. 5 is a bottom plan view of the device shown in FIG. 1;

FIG. 6 is a side elevational view of the opposite side shown in FIG. 3;

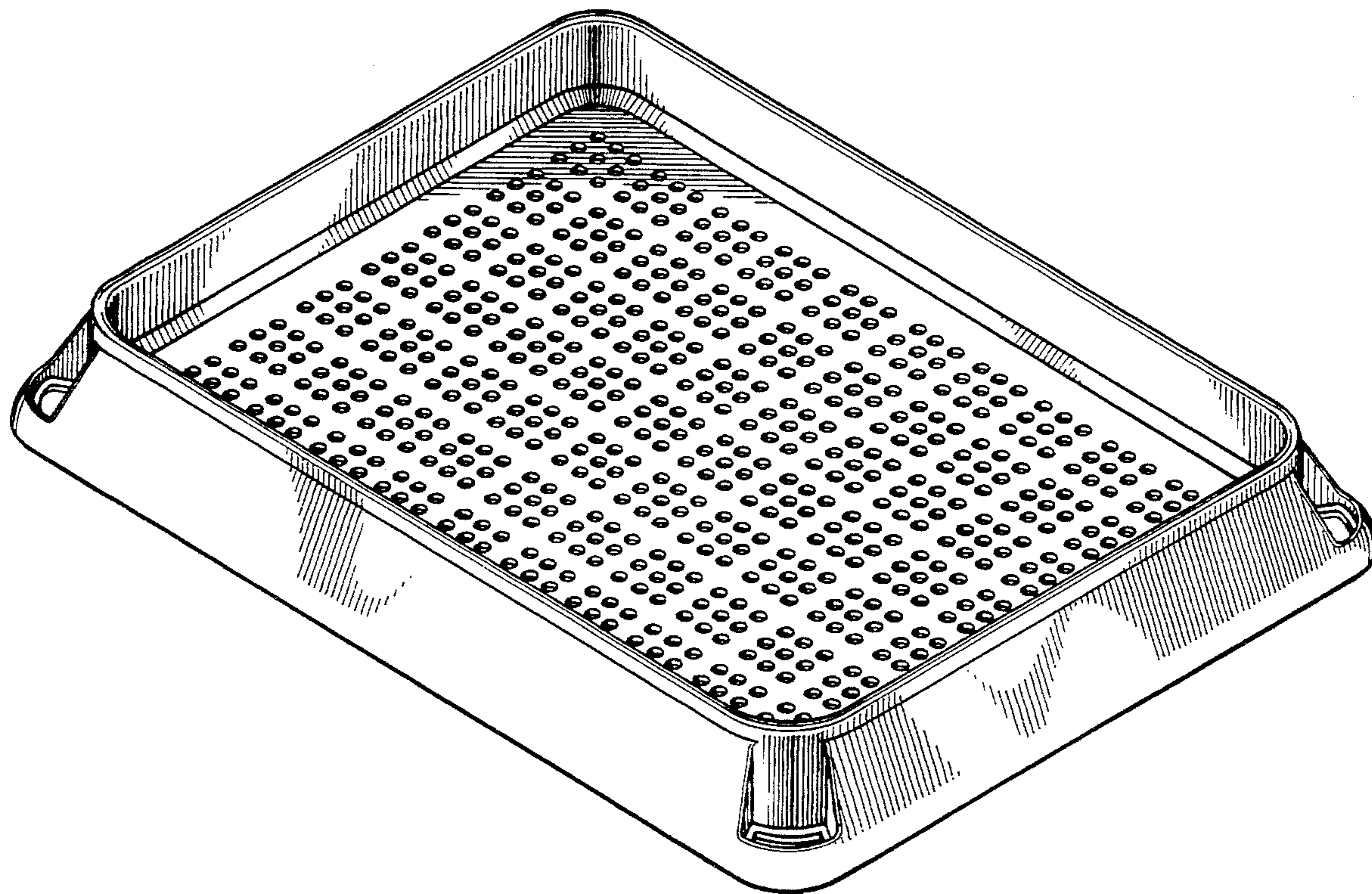
FIG. 7 is an end elevational view of the opposite end shown in FIG. 4;

FIG. 8 is a side elevational view of the device shown in FIG. 1, taken in a cross-section along the plane as defined by the axis 8 in FIG. 2;

FIG. 9 is a side elevational view of the device shown in FIG. 1, taken in cross-section along the plane as defined by the axis 9 in FIG. 2; and,

FIG. 10 is a corner elevational view of the device shown in FIG. 1, taken in cross-section along the plane as defined by the axis 10 in FIG. 2.

1 Claim, 4 Drawing Sheets



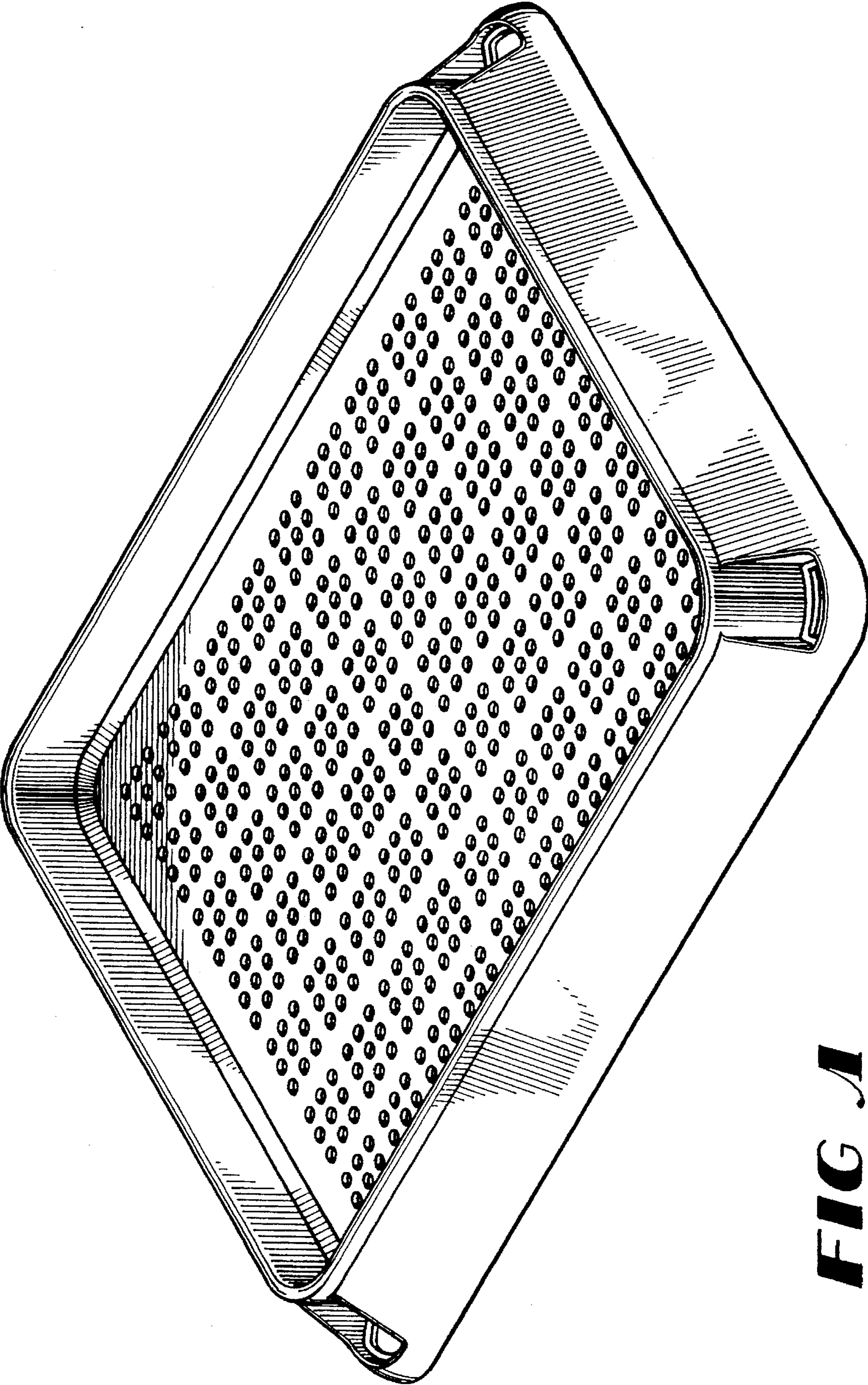


FIG. 1

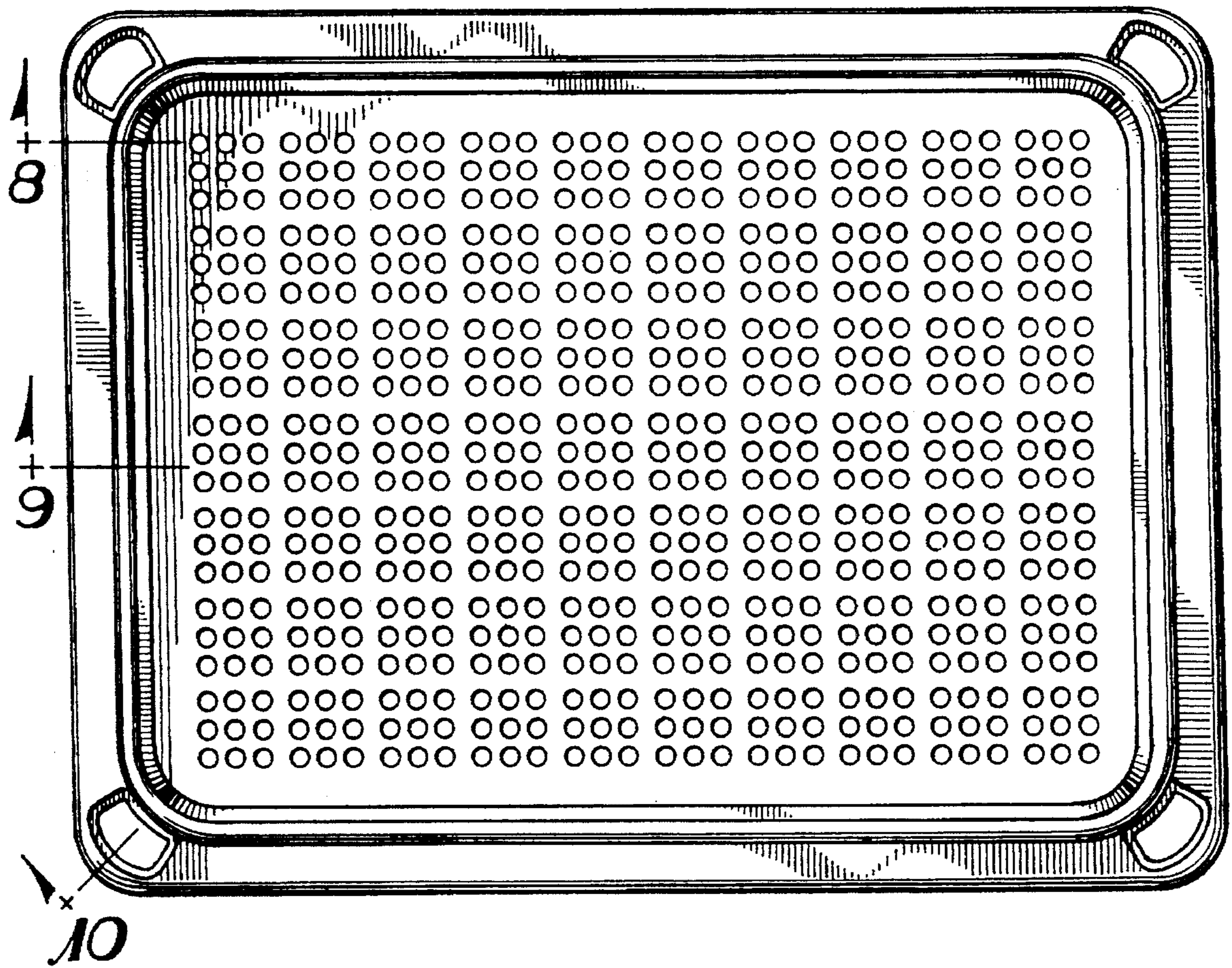


FIG 2

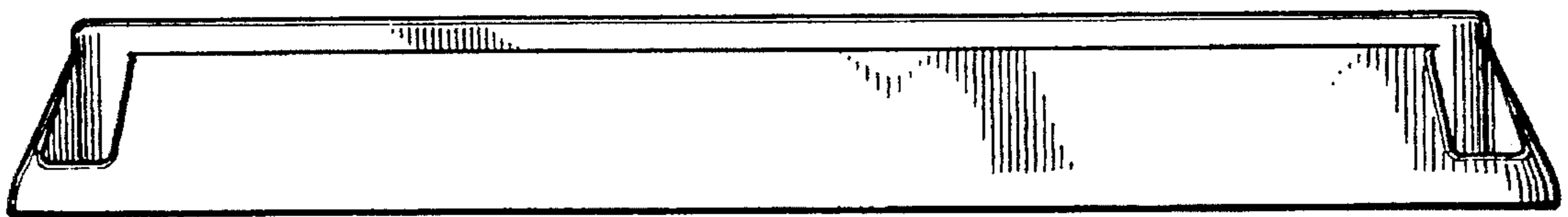


FIG 3

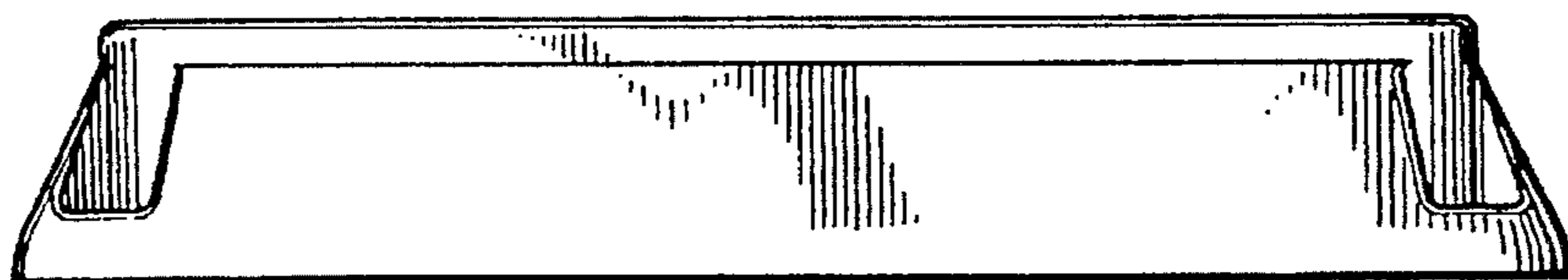


FIG 4

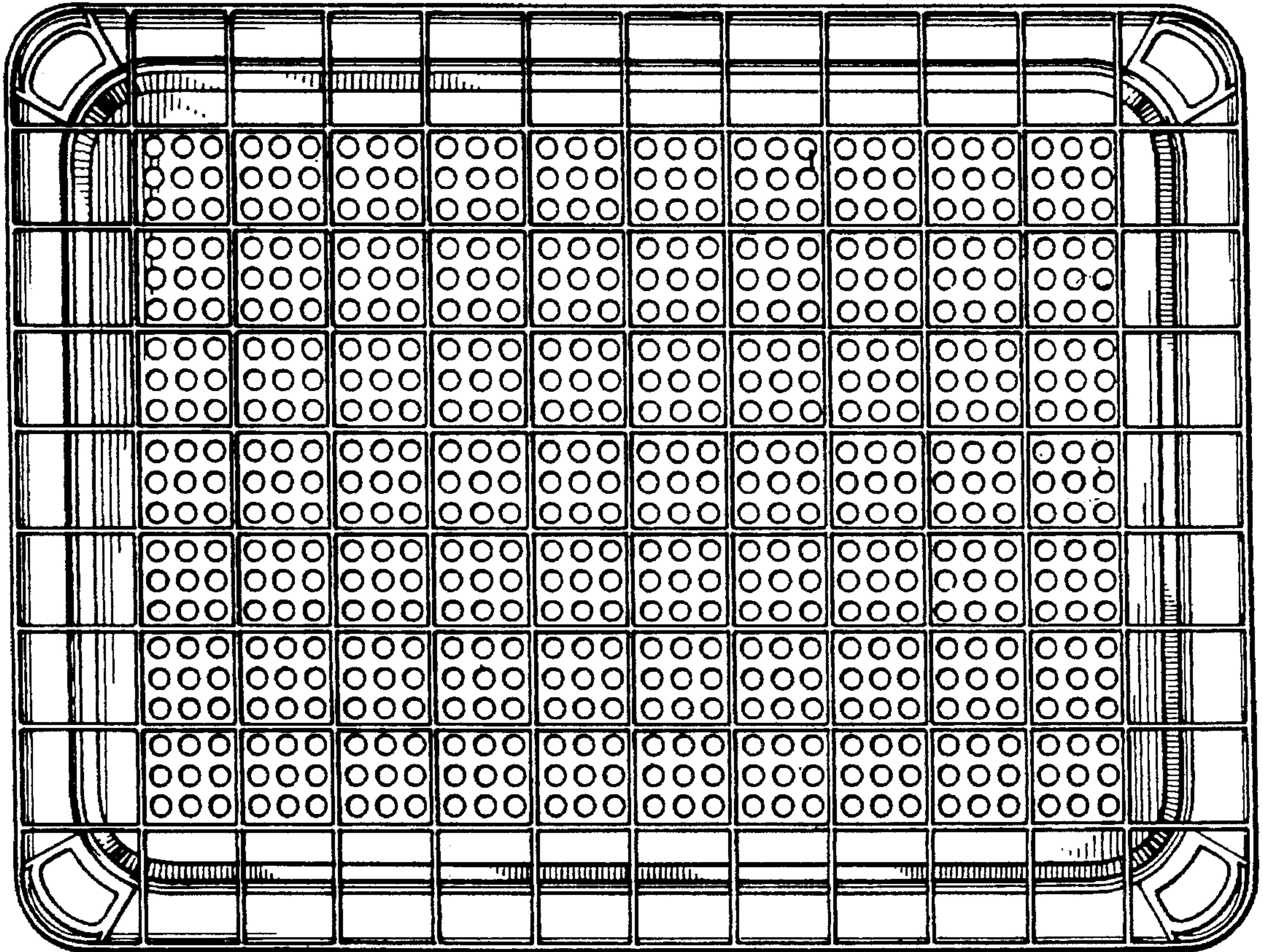


FIG 5

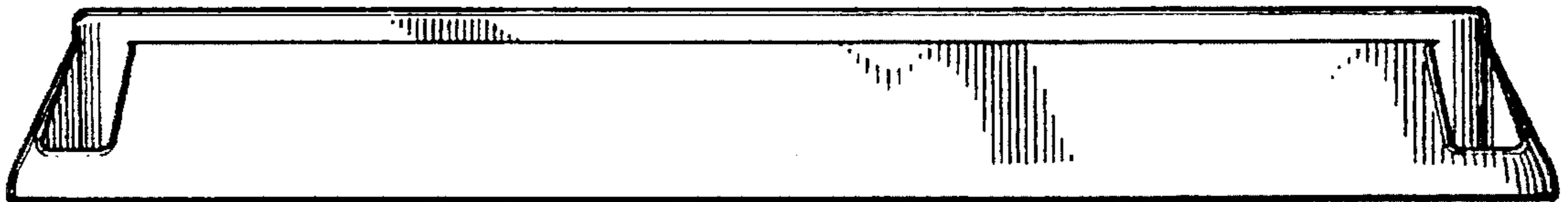


FIG 6

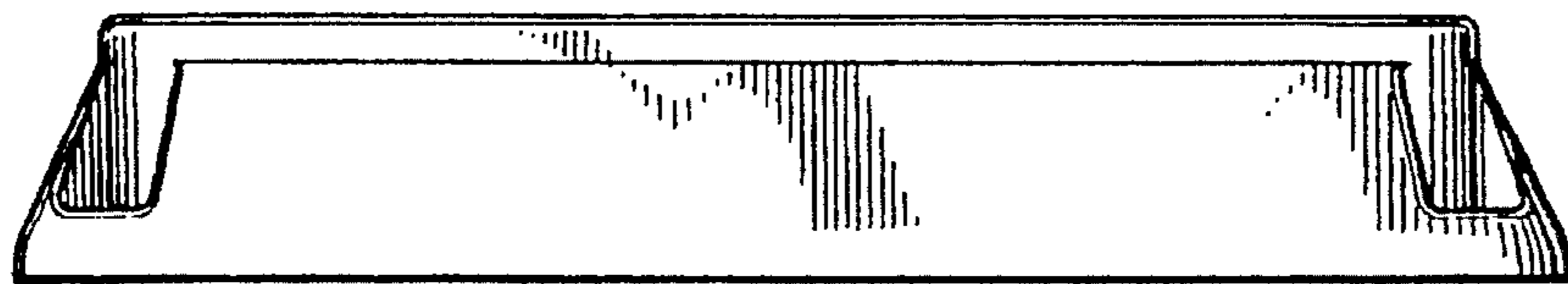


FIG 7

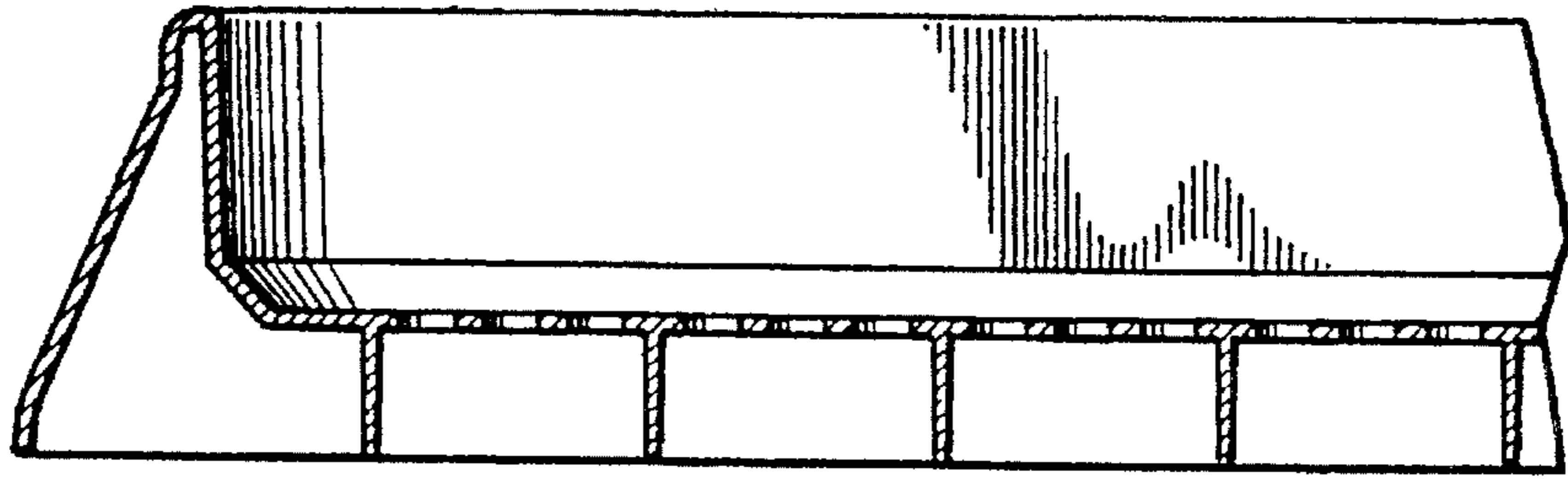


FIG 8

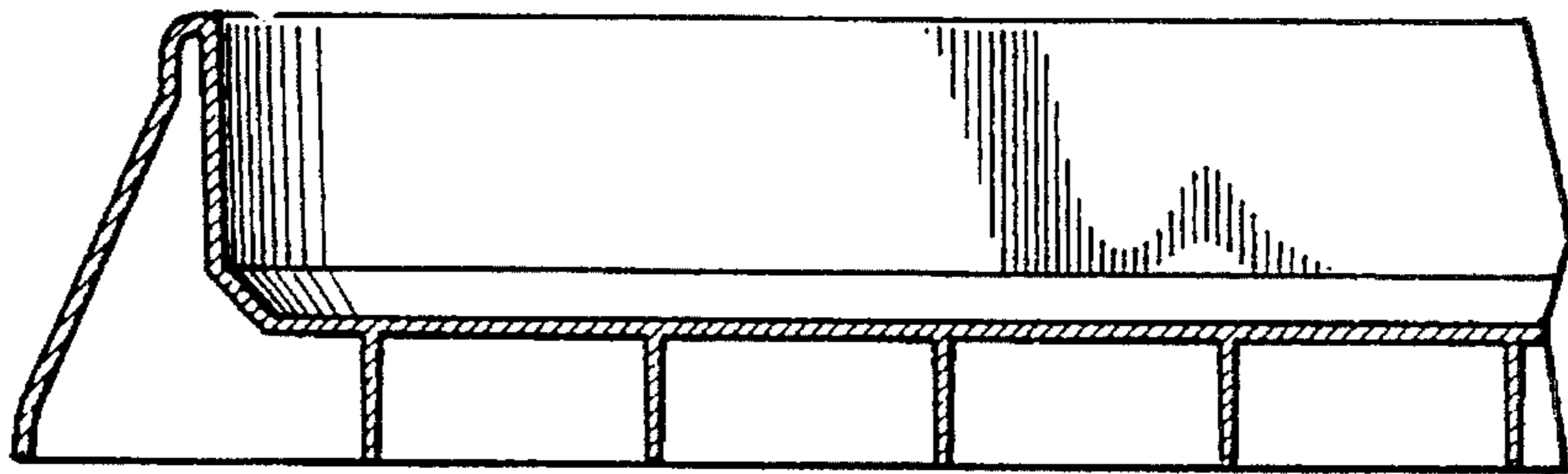


FIG 9

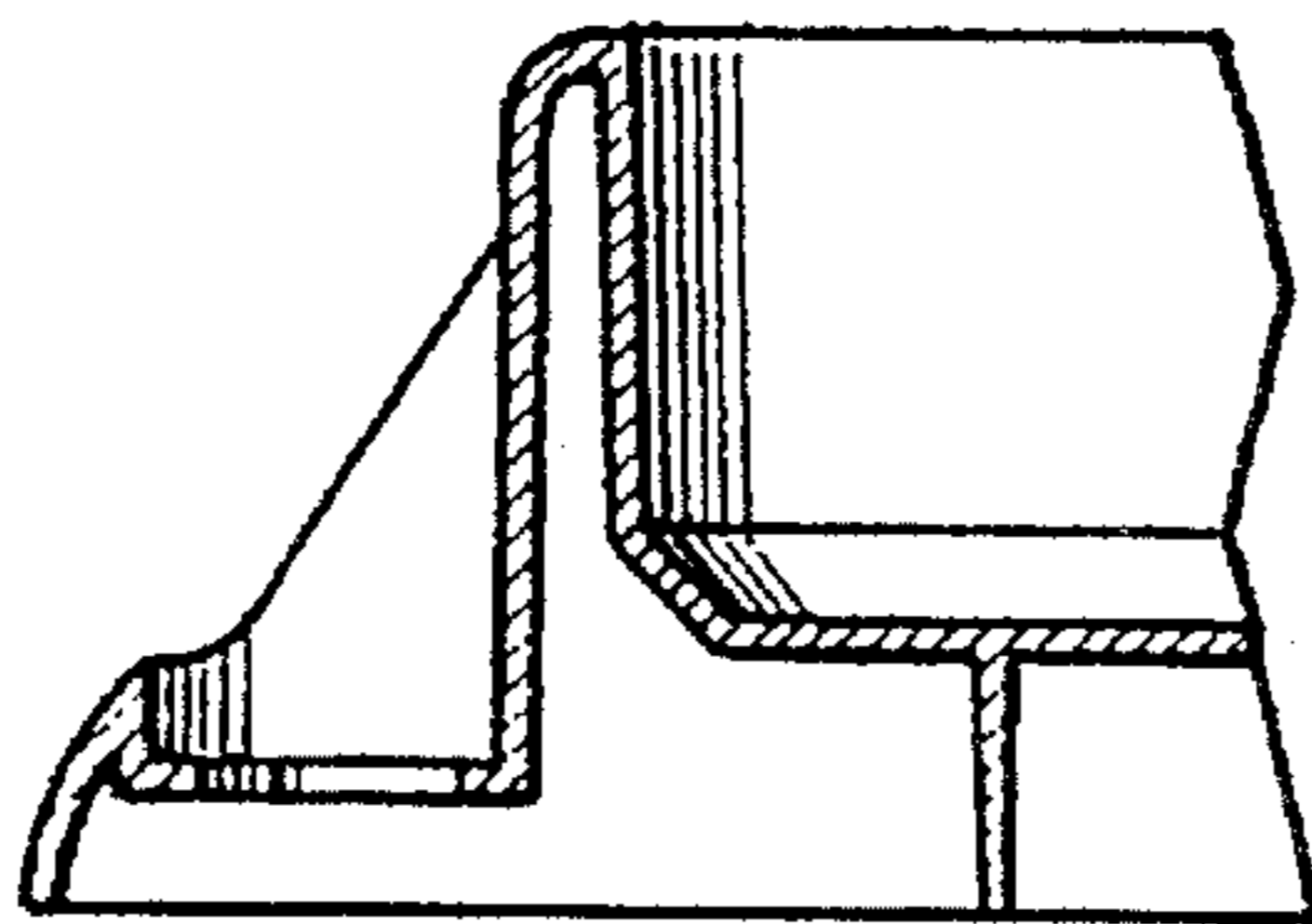


FIG 10