



US00D362570S

United States Patent [19]
Mulder

[11] **Patent Number:** **Des. 362,570**

[45] **Date of Patent:** ****Sep. 26, 1995**

[54] **FURNITURE STAND**

[76] **Inventor:** **R. Bruce Mulder**, 2711 Ford St.,
Ames, Iowa 50010

[**] **Term:** **14 Years**

[21] **Appl. No.:** **19,946**

[22] **Filed:** **Mar. 15, 1994**

[52] **U.S. Cl.** **D6/499**; D6/509

[58] **Field of Search** D6/480, 487, 488,
D6/495, 499, 491, 458, 452; 248/188, 188.1,
188.8; 108/153, 157

[56] **References Cited**

U.S. PATENT DOCUMENTS

D. 261,556	10/1981	O'Reilly	D6/499
D. 301,190	5/1989	Levine	D6/499 X
D. 326,786	6/1992	McLead	D6/462 X

OTHER PUBLICATIONS

Selig—#646-04 Table.

Primary Examiner—Janice E. Seeger
Attorney, Agent, or Firm—Zarley, McKee, Thomte,
Voorhees & Sease

[57] **CLAIM**

The ornamental design for a furniture stand, as shown and described.

DESCRIPTION

FIG. 1 is a perspective view of a furniture stand, showing my new design;

FIG. 2 is a front elevational view;

FIG. 3 is a side elevational view, the opposite side being a mirror image thereof;

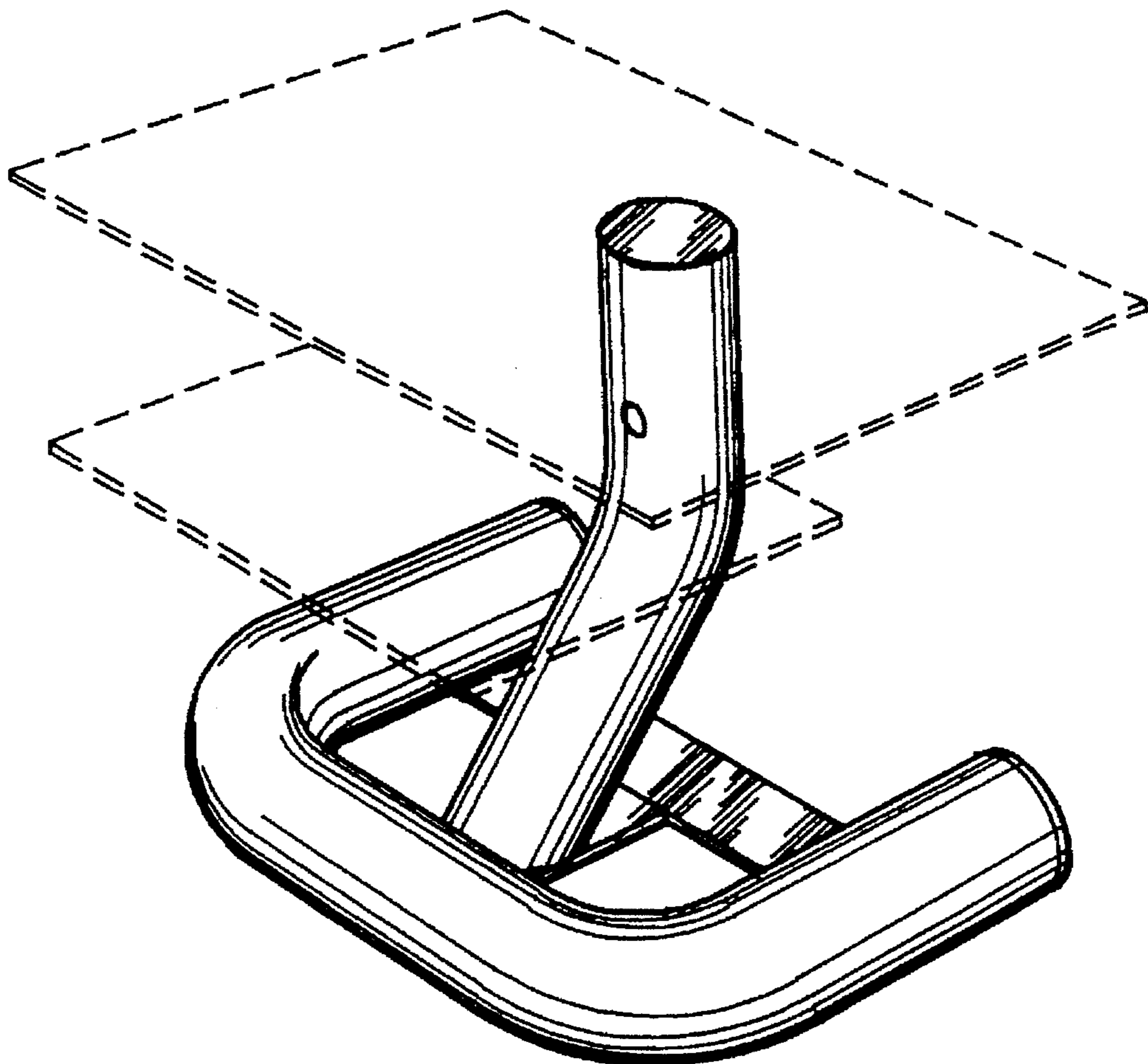
FIG. 4 is a rear elevational view;

FIG. 5 is a top plan view; and,

FIG. 6 is a bottom plan view thereof.

The broken lines are for environmental purposes only and form no part of the claimed design.

1 Claim, 2 Drawing Sheets



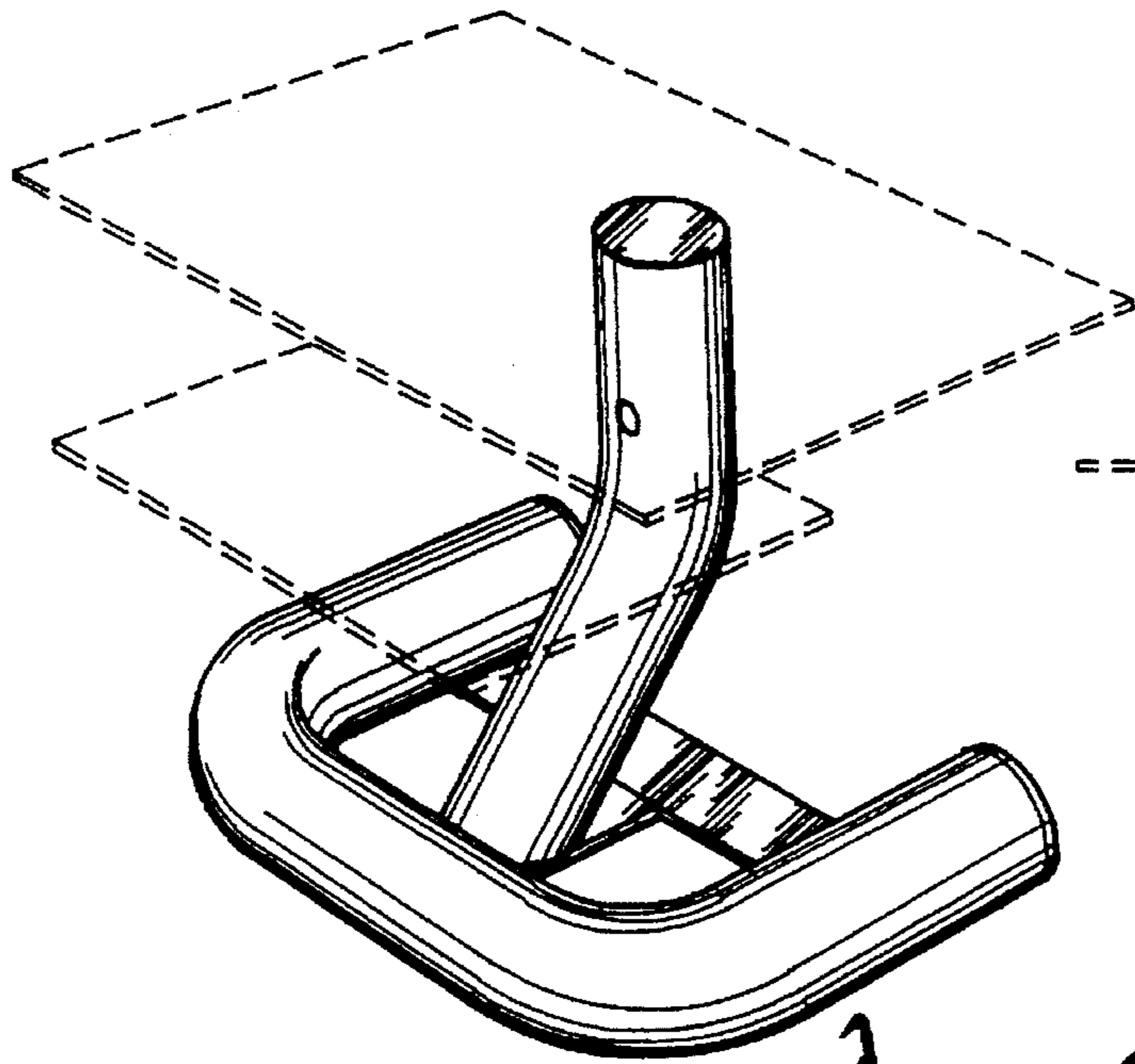


Fig. 1

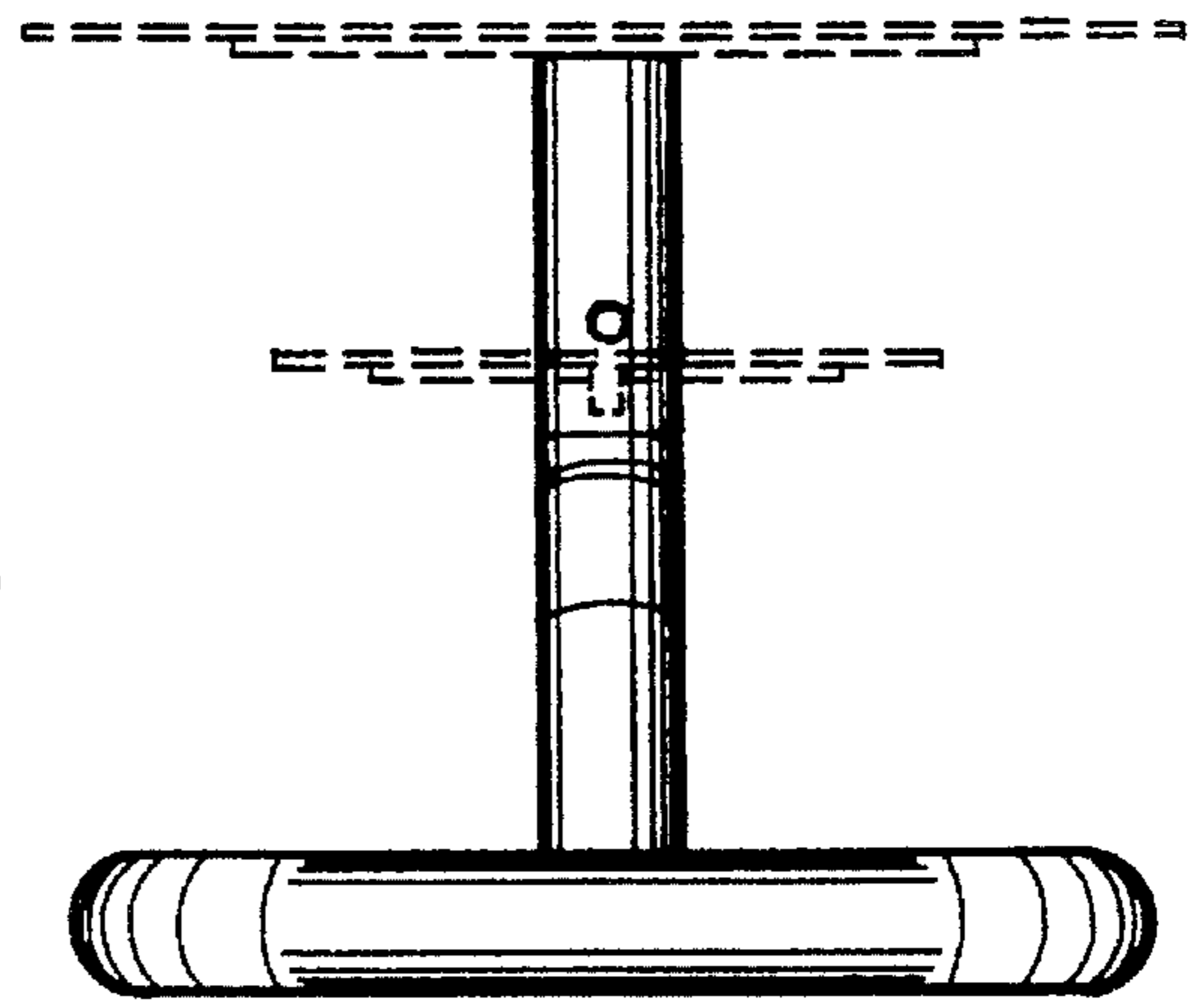


Fig. 2

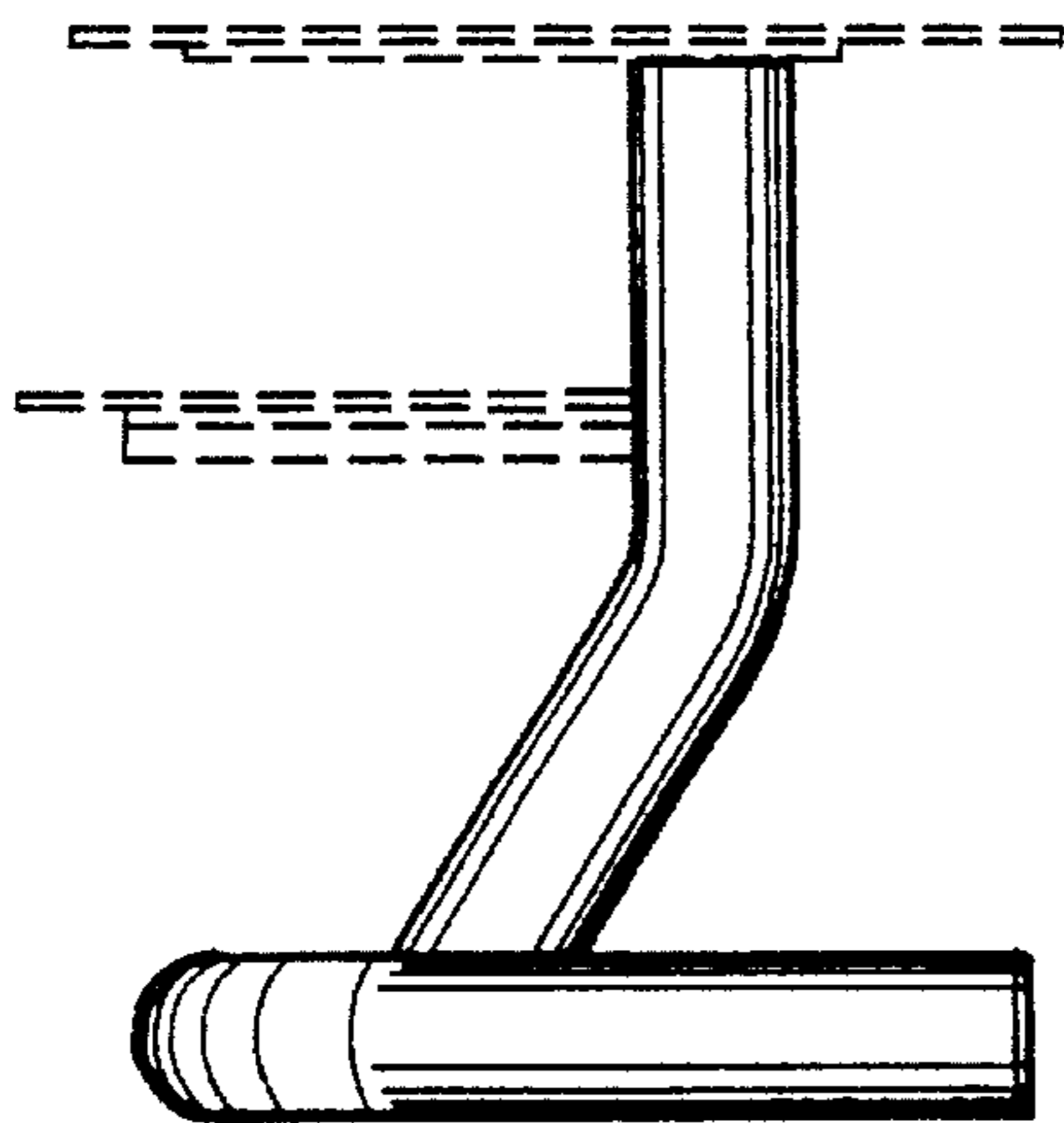


Fig. 3

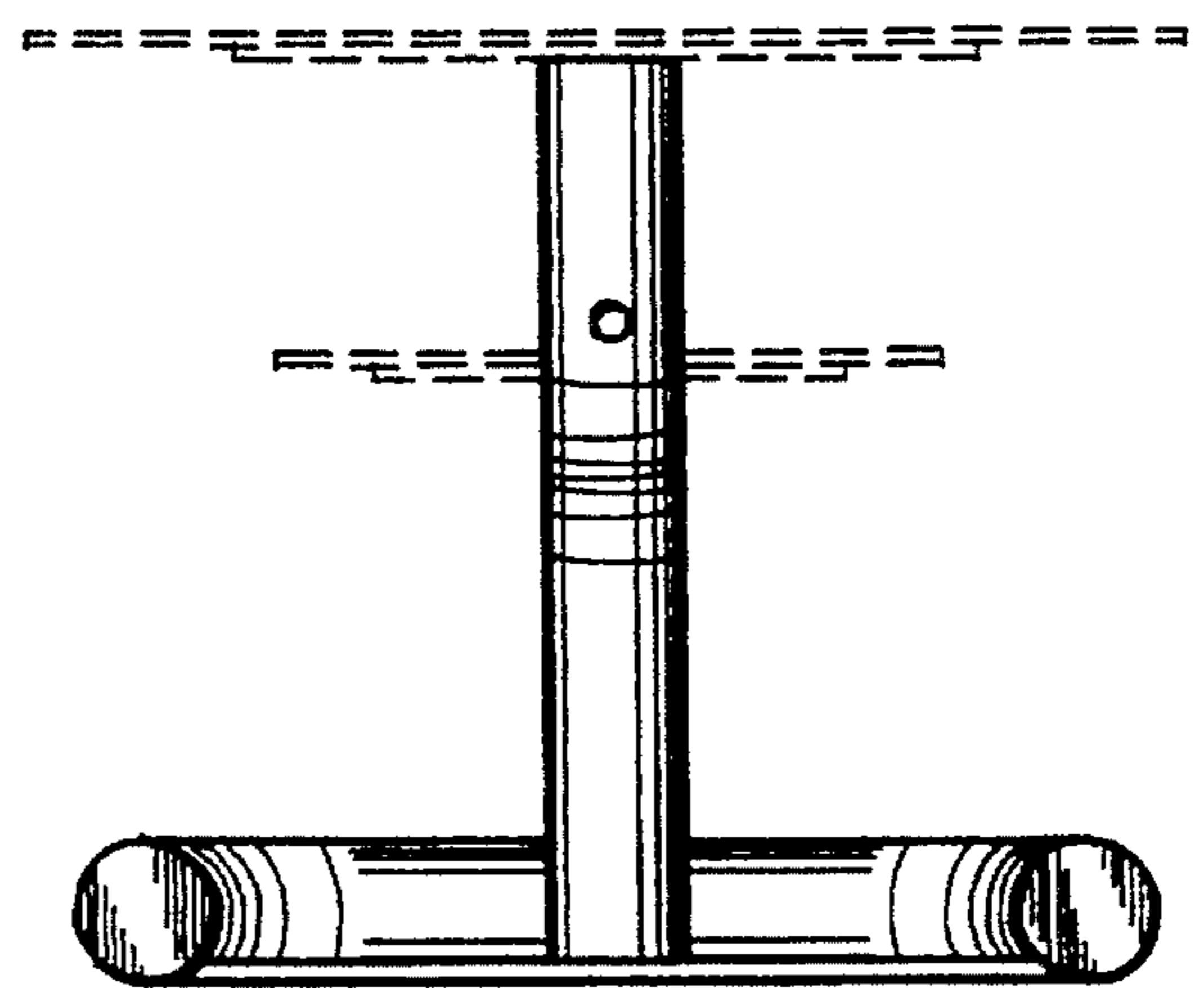


Fig. 4

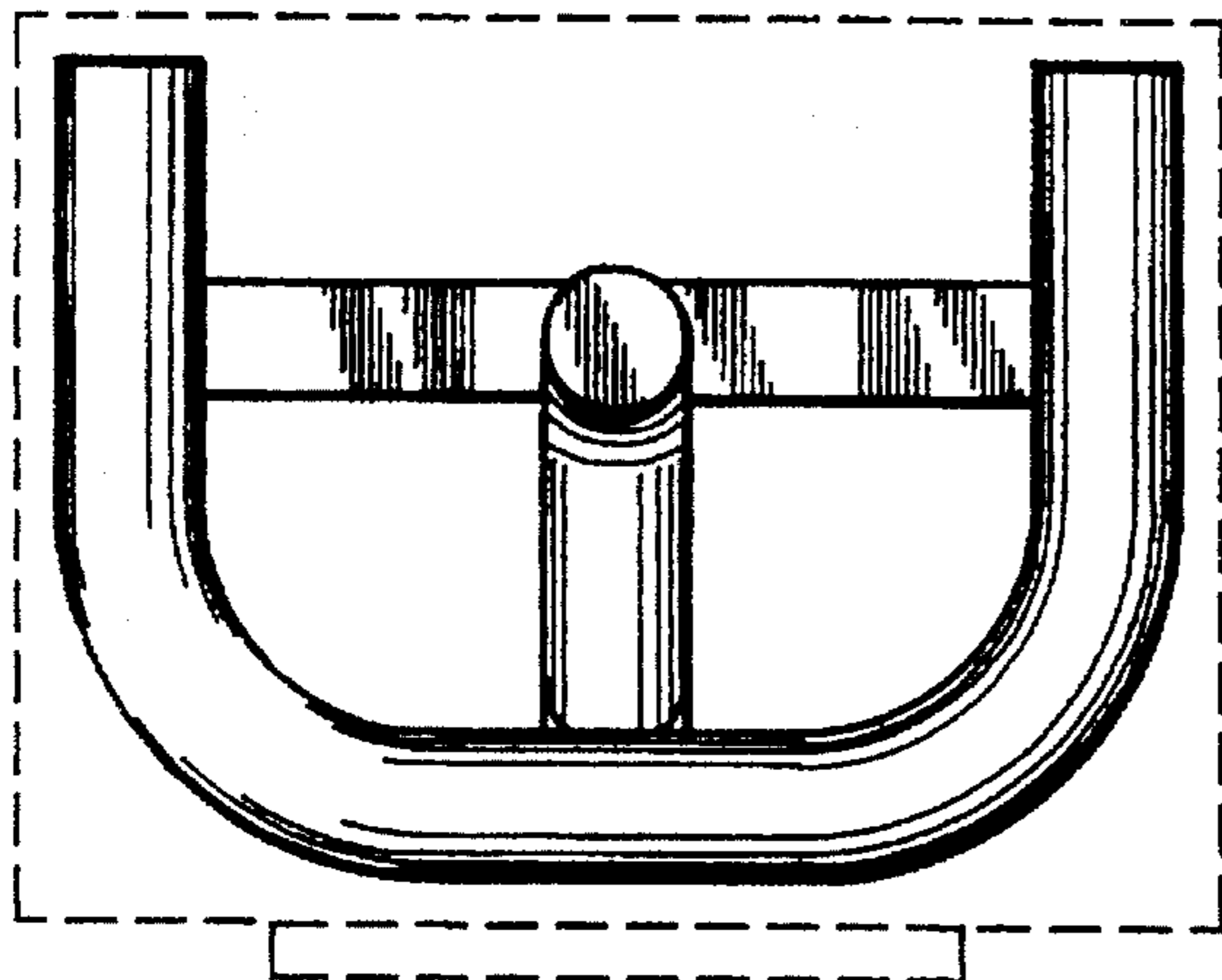


Fig. 5

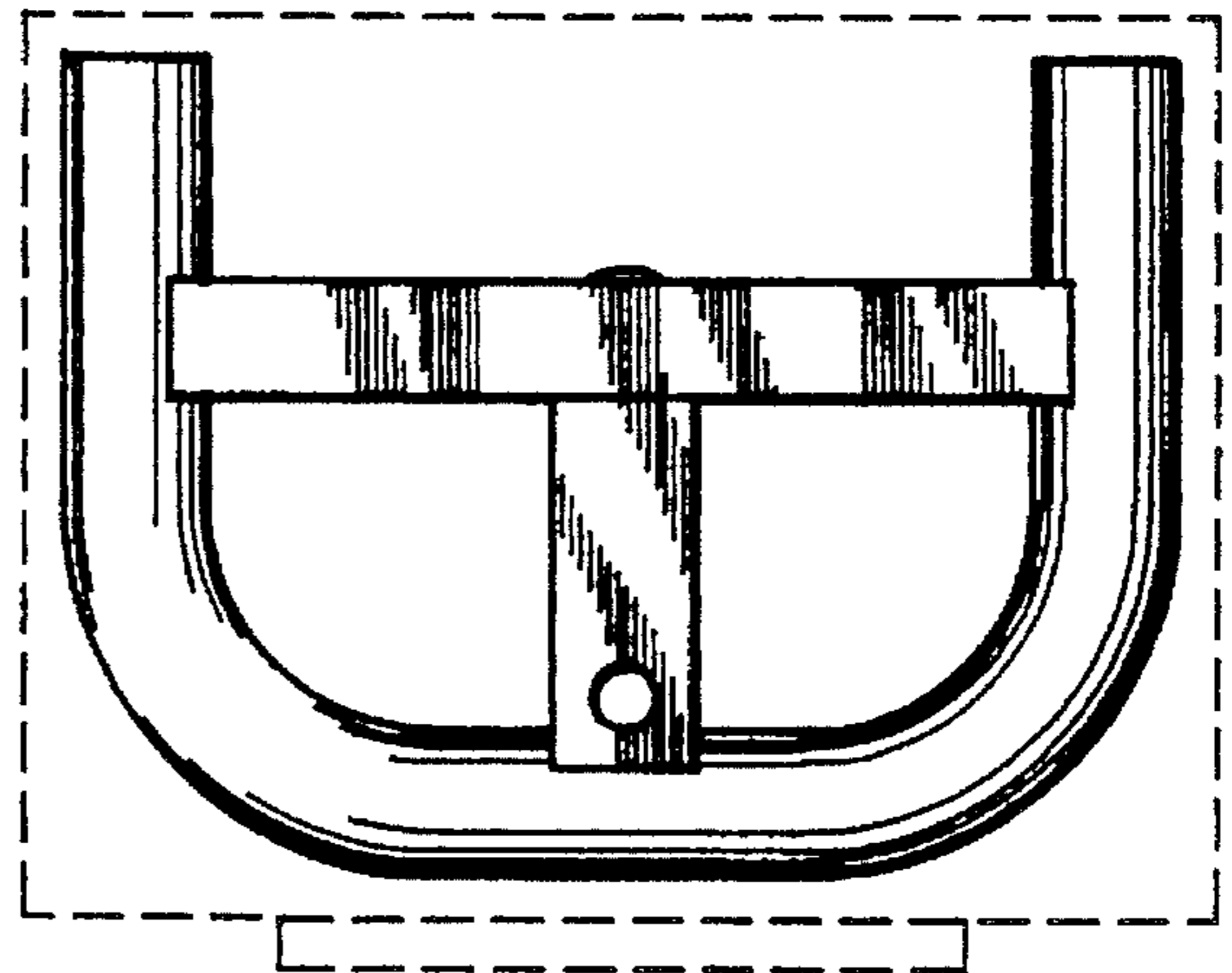


Fig. 6