



US00D362568S

United States Patent [19]

[11] **Patent Number:** **Des. 362,568**

Wheeler

[45] **Date of Patent:** ****Sep. 26, 1995**

[54] **ORGANIZER FOR TV/VCR REMOTE CONTROL UNITS AND PROGRAM LISTING GUIDES**

[76] Inventor: **James A. Wheeler**, R.R. #2, Box 147A, Dwight, Ill. 60420

[**] Term: **14 Years**

[21] Appl. No.: **25,645**

[22] Filed: **Jul. 7, 1994**

[52] U.S. Cl. **D6/475; D6/449**

[58] **Field of Search** D6/475, 476, 474, D6/449, 450, 531; D12/425; 211/133; 206/45, 45.11, 45.13, 315.9, 425, 503

[56] **References Cited**

U.S. PATENT DOCUMENTS

D. 326,195	5/1992	Lowe	D6/466 X
D. 330,473	10/1992	Lemire	D6/466
D. 330,649	11/1992	Lemire	D6/466
D. 331,162	11/1992	Lemire	D6/466

Primary Examiner—Alan P. Douglas

Assistant Examiner—S. Snapp
Attorney, Agent, or Firm—Haverstock, Garrett & Roberts

[57] **CLAIM**

The ornamental design for an organizer for TV/VCR remote control units and program listing guides, as shown and described.

DESCRIPTION

FIG. 1 is a perspective view of an organizer for TV/VCR remote control units and program listing guides showing my new design;

FIG. 2 is a top plan view thereof;

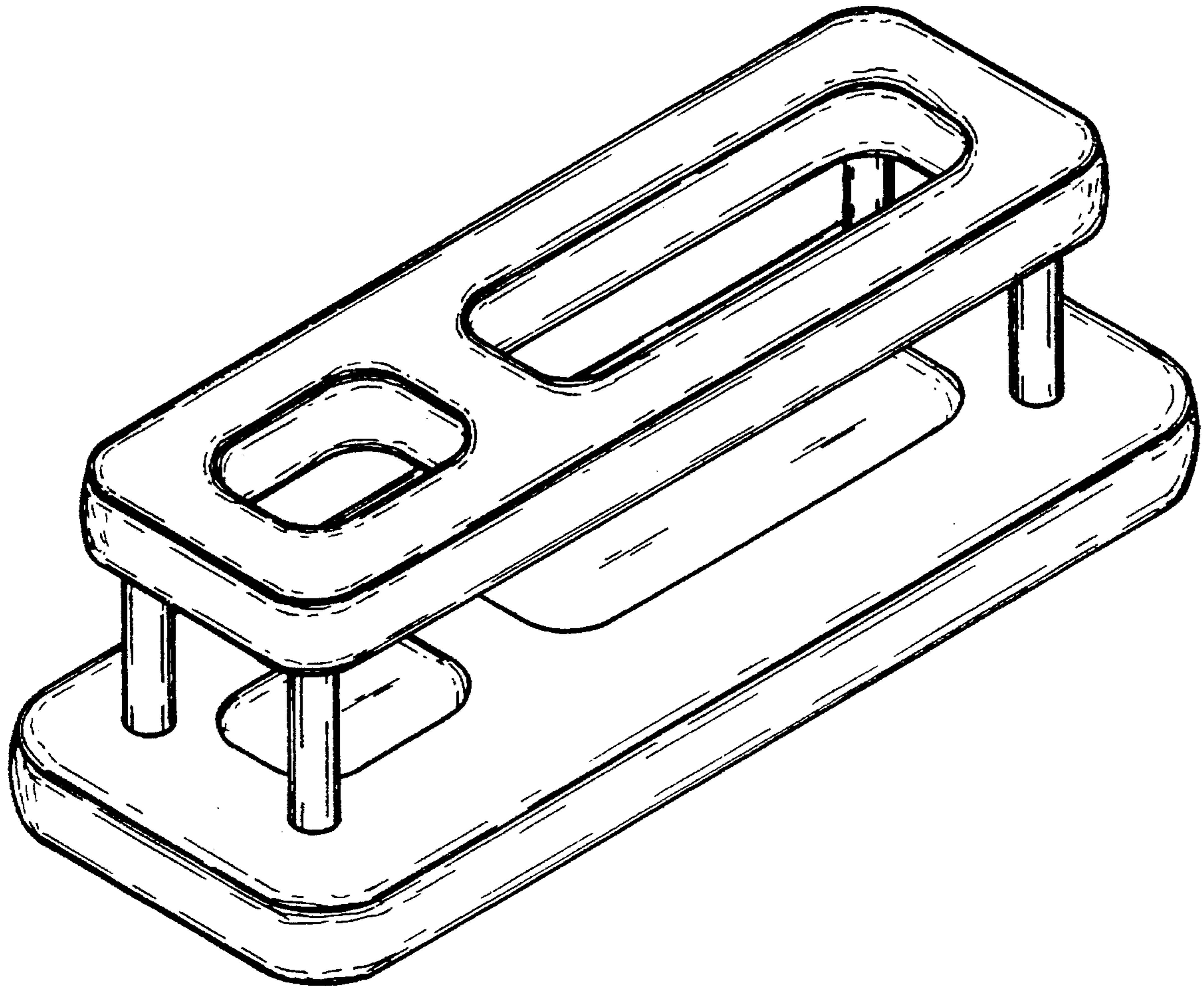
FIG. 3 is a bottom plan view thereof;

FIG. 4 is a front elevational view thereof; and,

FIG. 5 is a right side elevational view thereof.

The rear elevational view and the left side elevational view of the subject organizer for TV/VCR remote control units and program listing guides not shown in the drawings are mirror images of the front elevational view shown in FIG. 4 and the right side elevational view shown in FIG. 5, respectively.

1 Claim, 2 Drawing Sheets



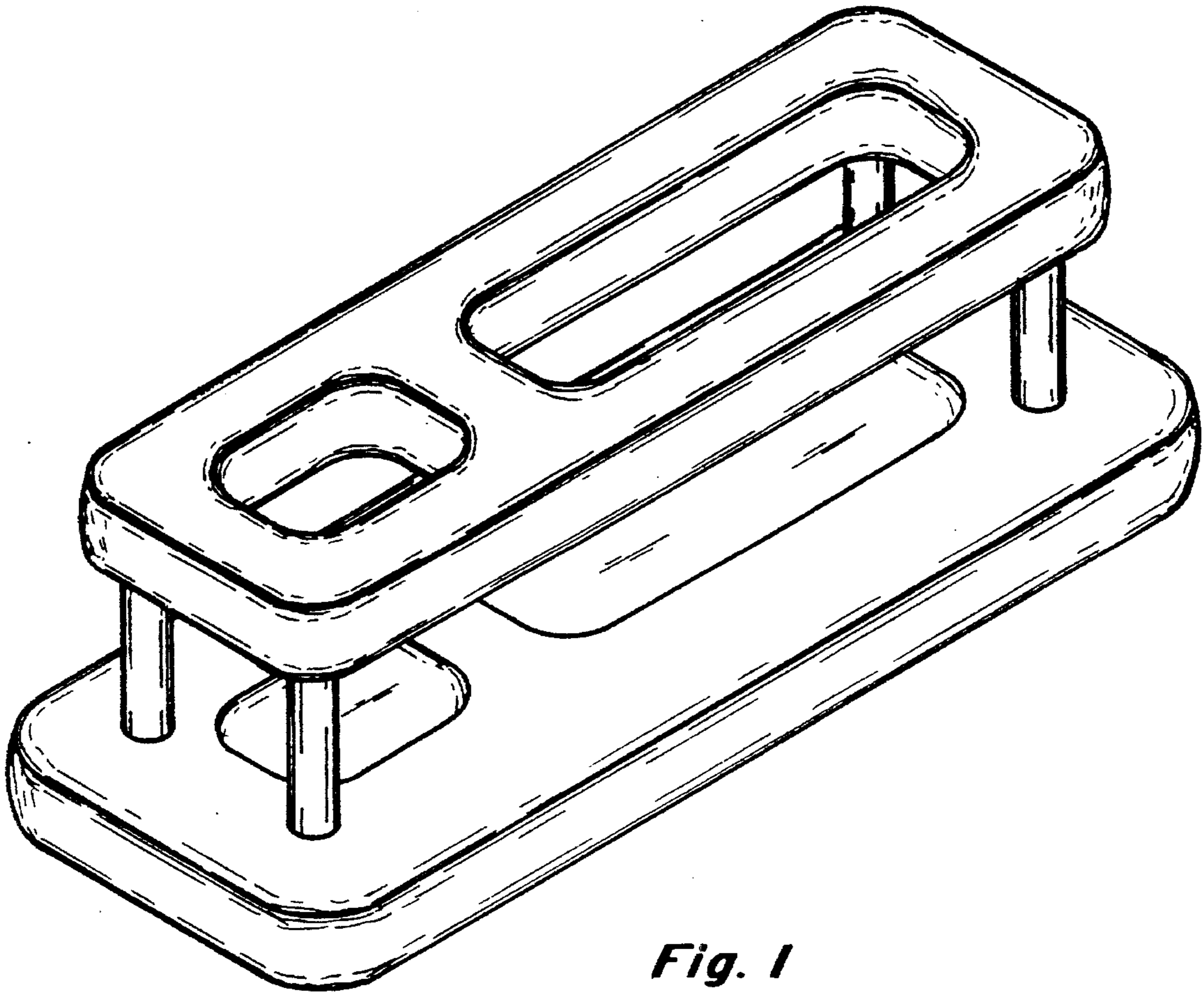


Fig. 1

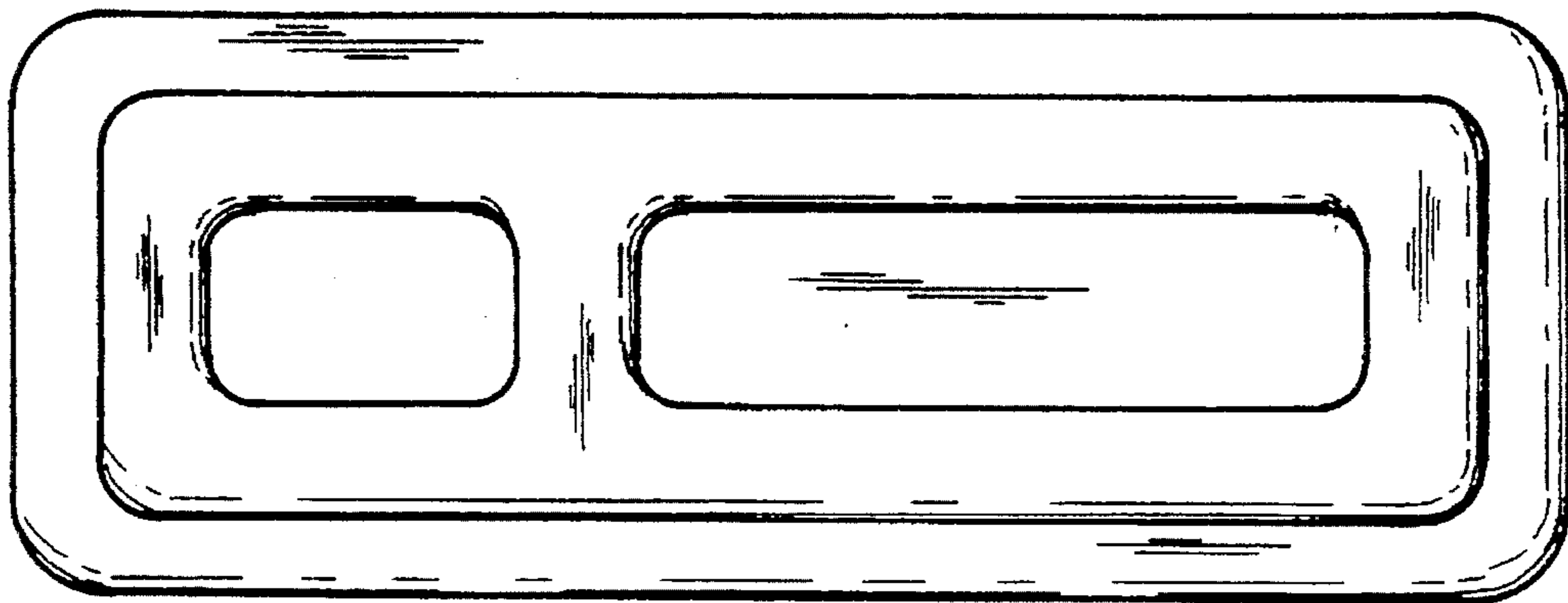


Fig. 2

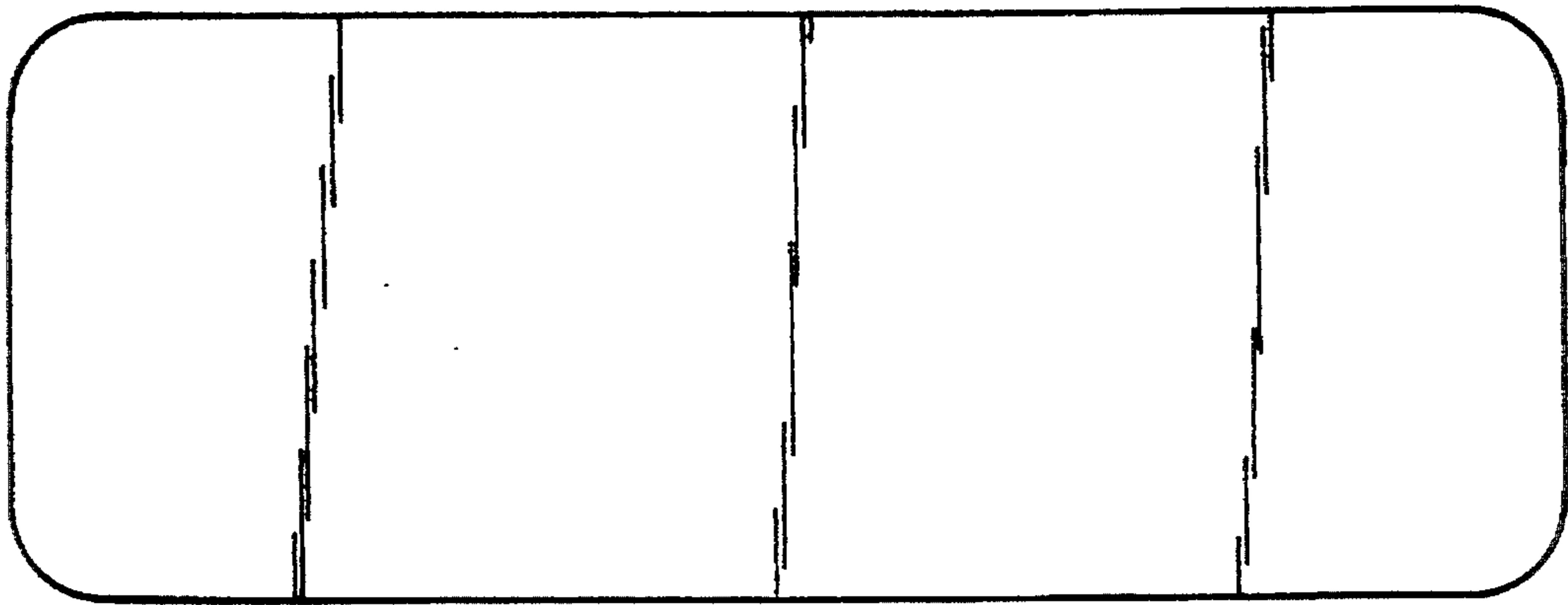


Fig. 3

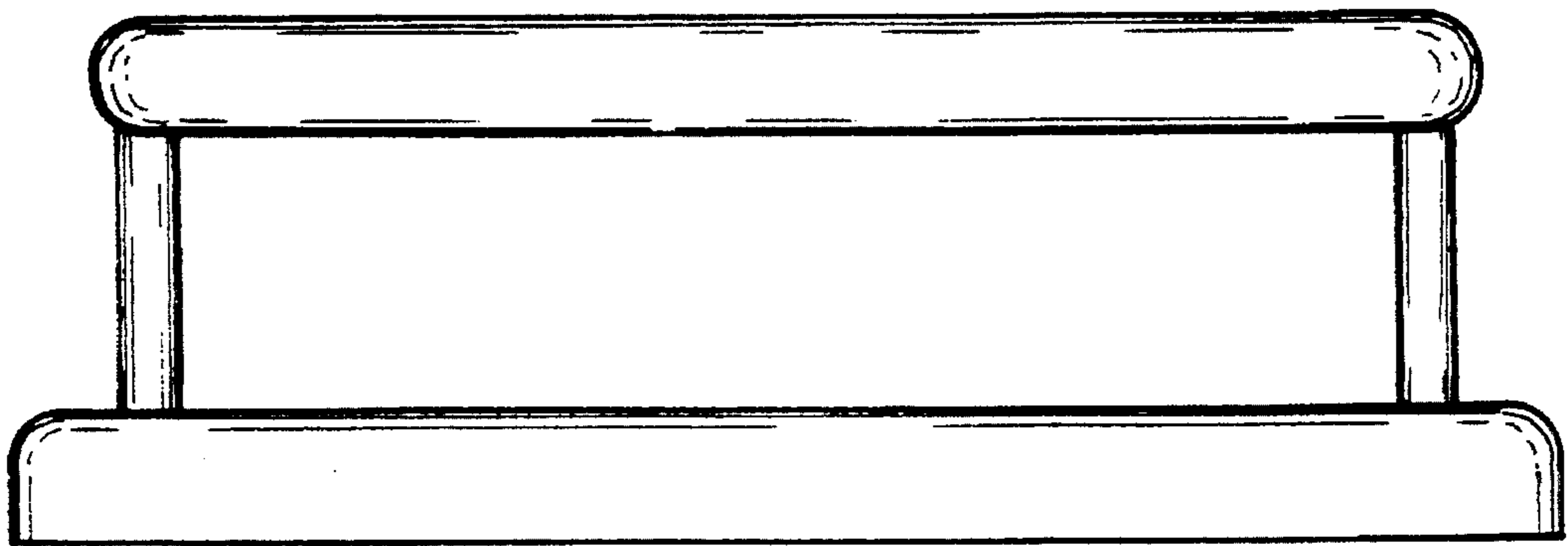


Fig. 4

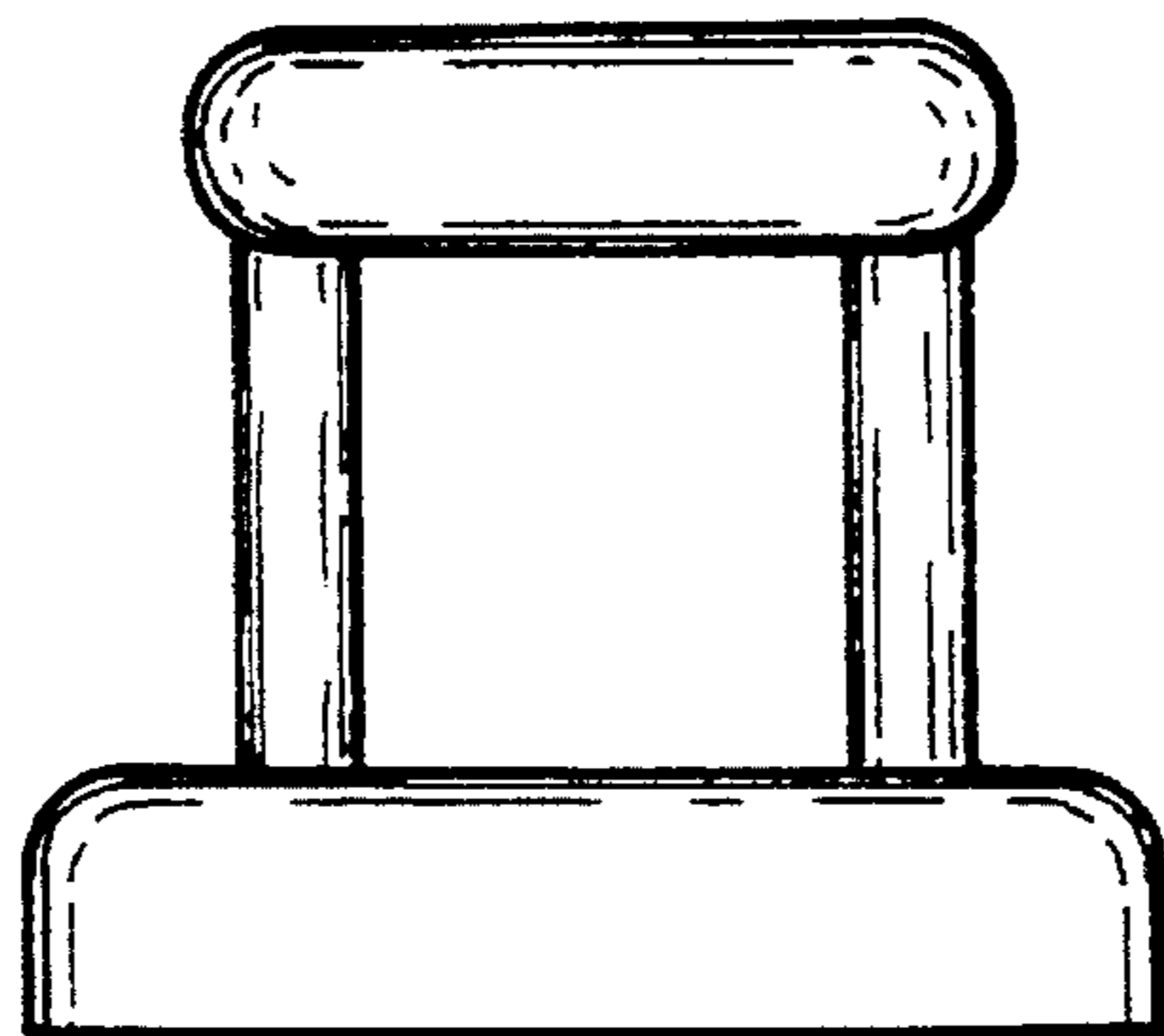


Fig. 5