



US00D362563S

# United States Patent [19]

[11] Patent Number: **Des. 362,563**

Rogina

[45] Date of Patent: **\*\*Sep. 26, 1995**

[54] CONTAINER FOR CDS OR CASSETTES

4,796,755	1/1989	Ardenti .....	206/387 X
4,815,598	3/1989	Richter .	
4,929,861	5/1990	Metcalf .....	206/387 X
4,948,022	8/1990	VanDyke .	
5,320,244	6/1994	Yu .....	206/387 X

[76] Inventor: **Leon Rogina**, 172 W. 600 N., Vernal, Utah 84078

[\*\*] Term: **14 Years**

*Primary Examiner*—Alan P. Douglas  
*Assistant Examiner*—S. Snapp  
*Attorney, Agent, or Firm*—Terry M. Gernstein

[21] Appl. No.: **19,482**

[22] Filed: **Mar. 3, 1994**

[52] U.S. Cl. .... **D6/407**

[58] Field of Search ..... D6/396, 405, 406, D6/407, 465, 466, 467, 468, 626-635; D14/121; D19/75, 83, 86, 91; 211/40, 41, 42; 206/387

[57] **CLAIM**

The ornamental design for a container for cds or cassettes, as shown and described.

**DESCRIPTION**

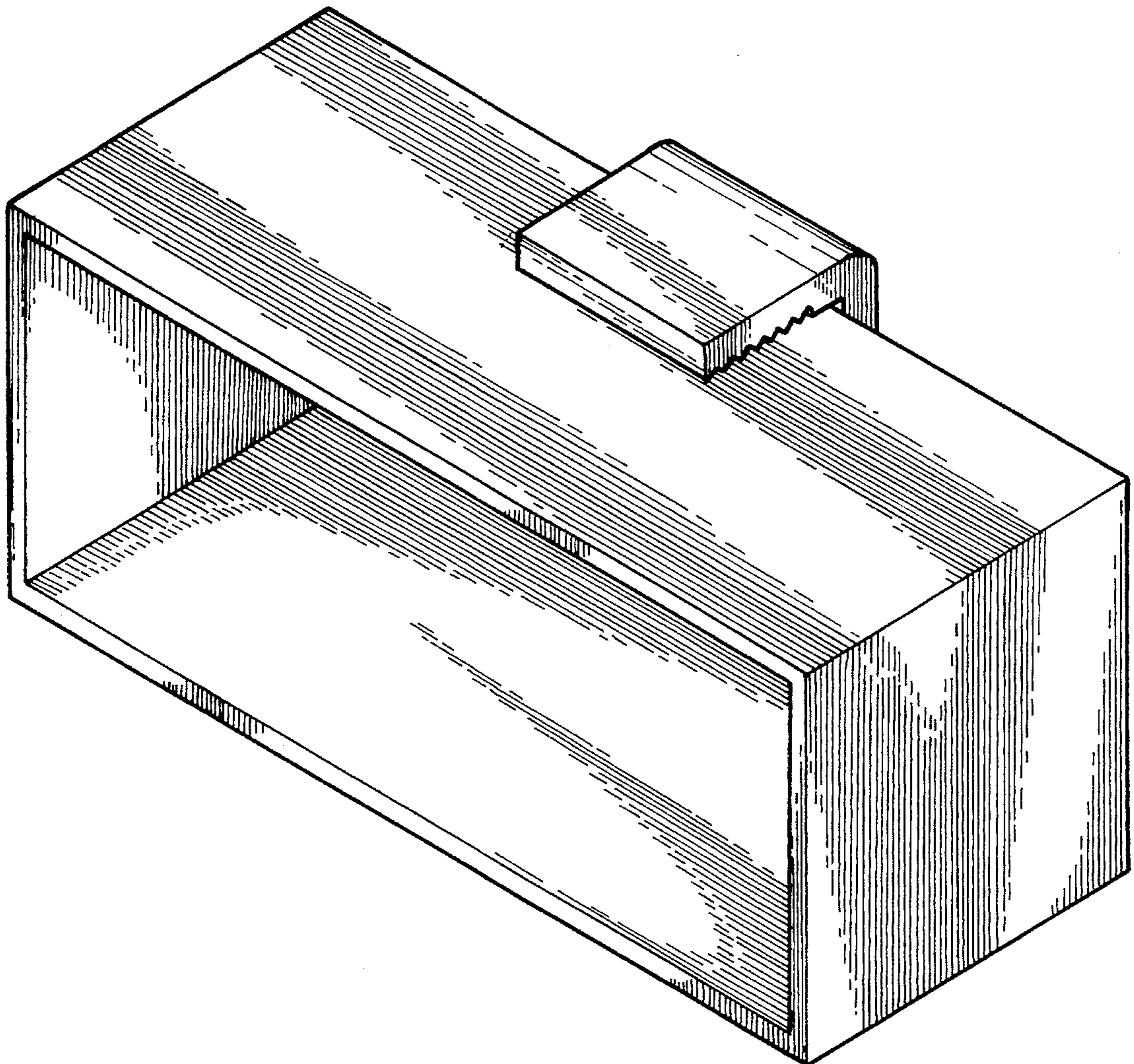
FIG. 1 is a front, top and side perspective view of the container for cds or cassettes showing my new design; FIG. 2 is a front elevational view thereof; FIG. 3 is a rear elevational view thereof; FIG. 4 is a side elevational view thereof, the side opposite being a mirror image of the side shown in FIG. 4; FIG. 5 is a top plan view thereof; and, FIG. 6 is a bottom plan view thereof.

[56] **References Cited**

**U.S. PATENT DOCUMENTS**

D. 321,607	11/1991	Sheung .....	D6/396 X
D. 327,183	6/1992	Meyer .....	D6/396 X
D. 337,004	7/1993	O'Day et al. ....	D6/407
3,565,282	2/1971	Staar .....	206/387
3,627,398	12/1971	Reese .....	206/387 X
4,712,679	12/1987	Lowe .....	206/387
4,756,459	7/1988	Hardman .	

**1 Claim, 3 Drawing Sheets**



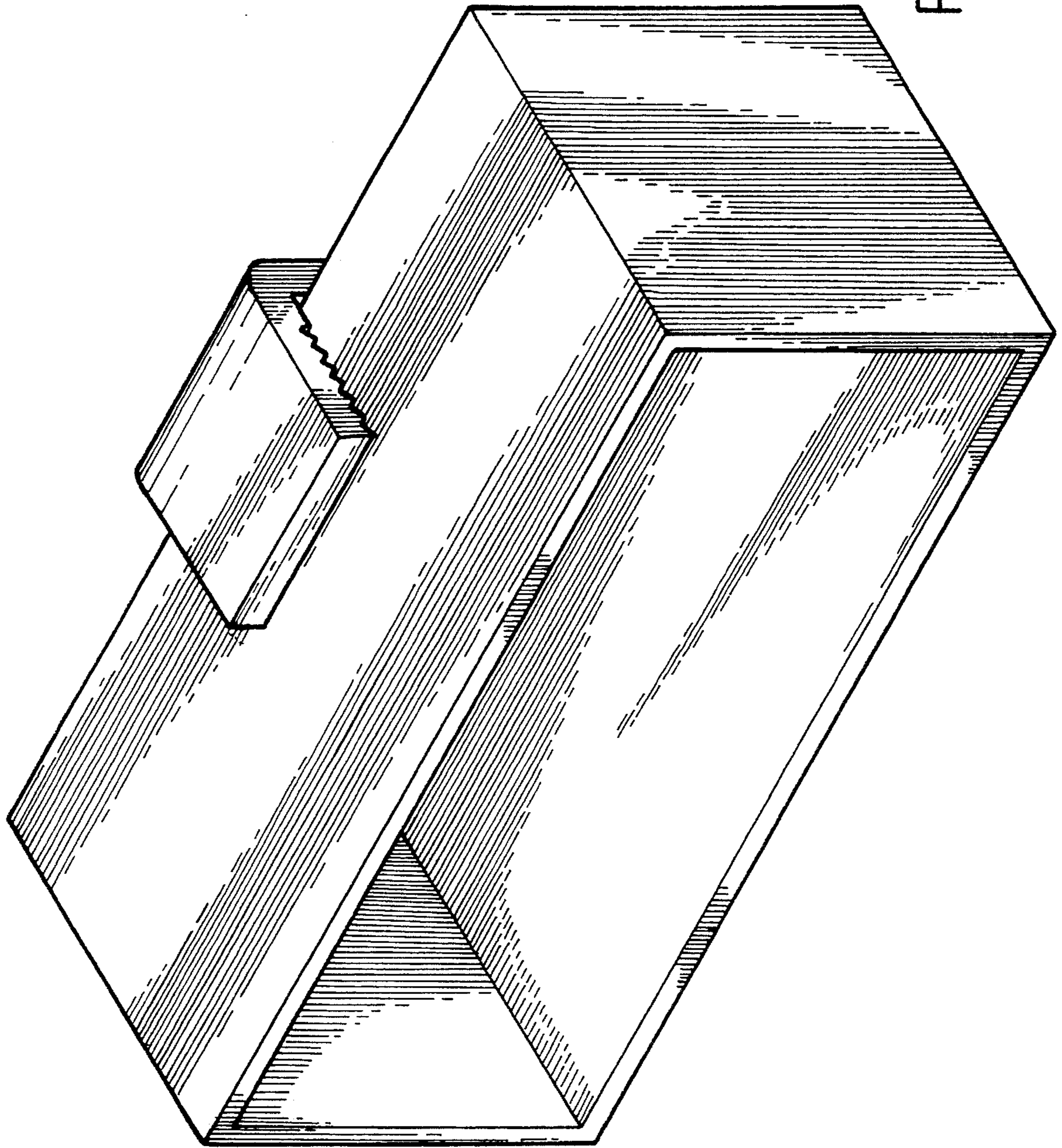


FIG. 1

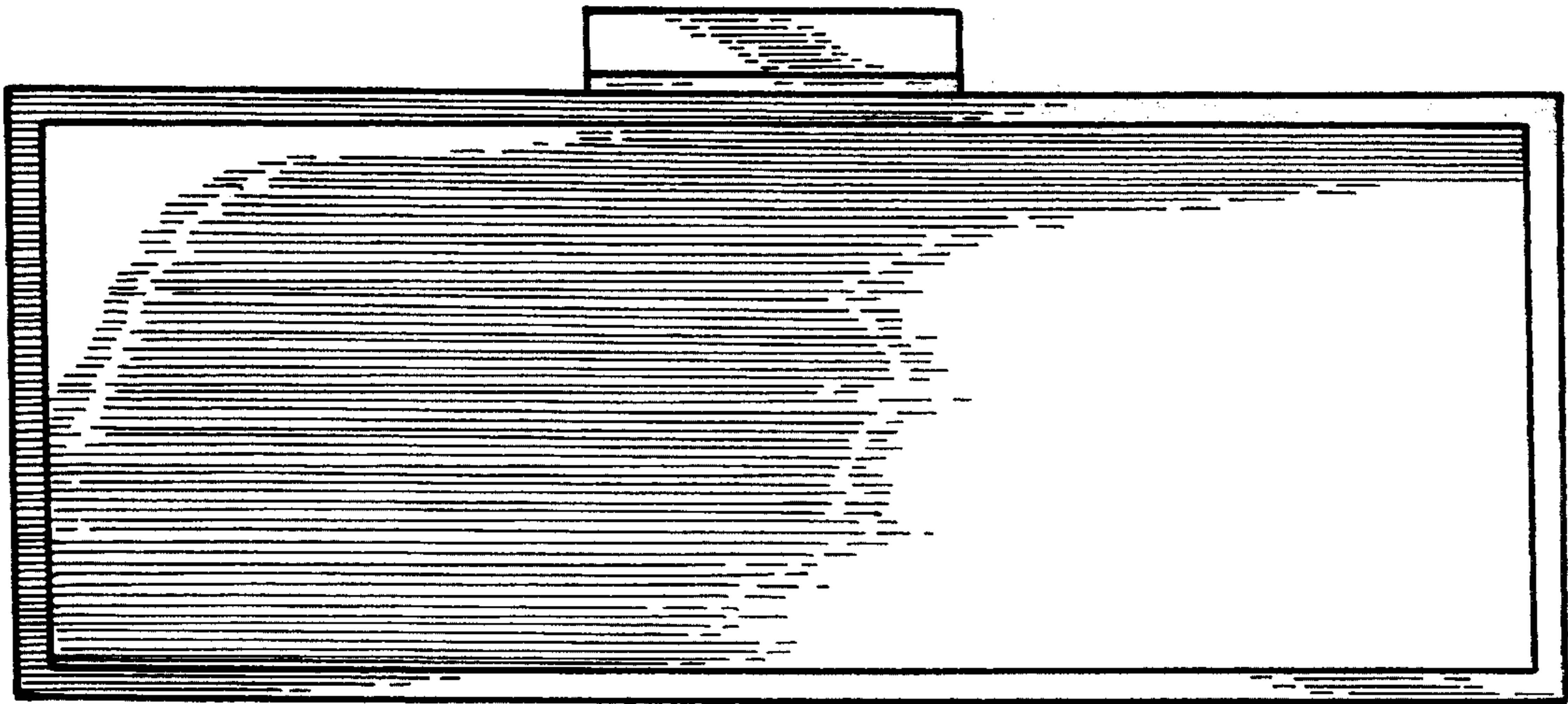


FIG. 2

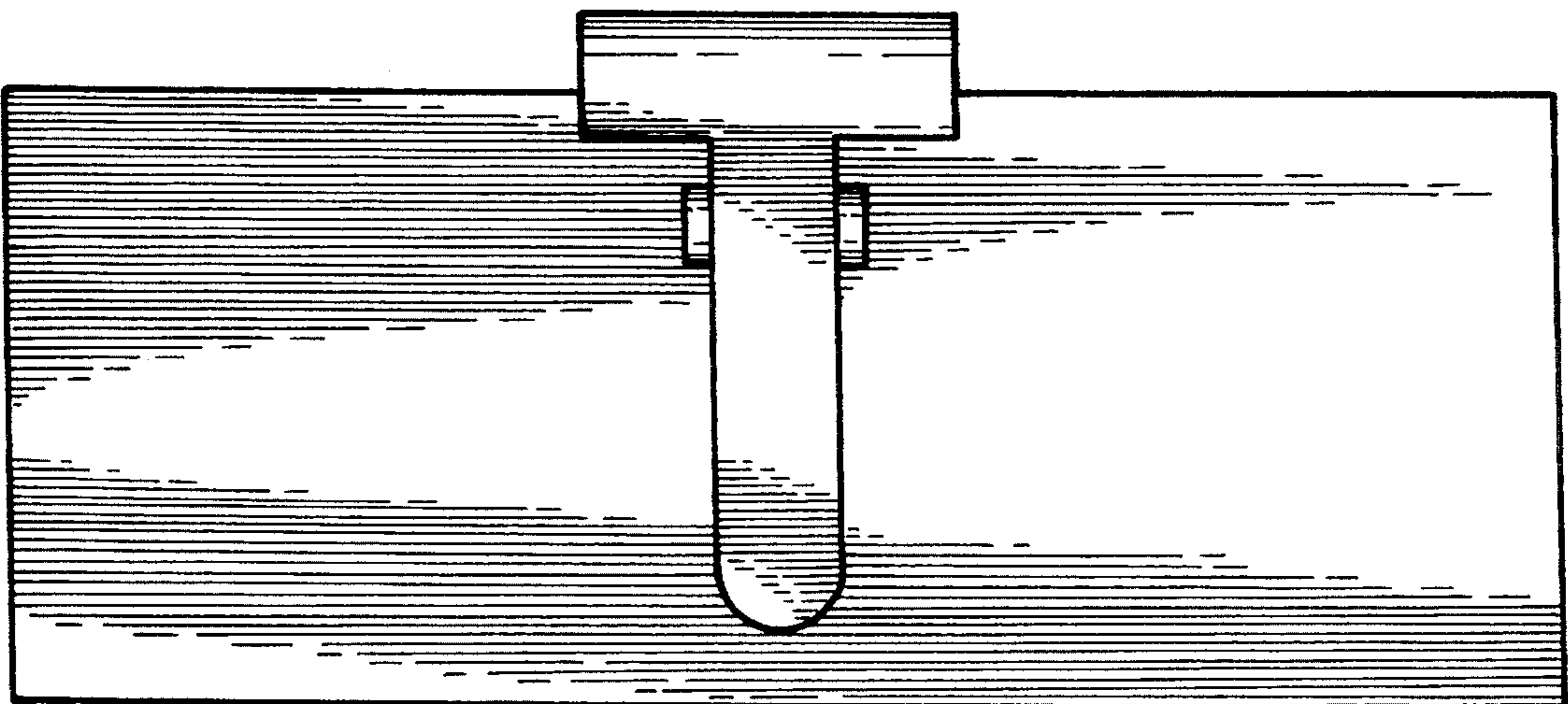


FIG. 3

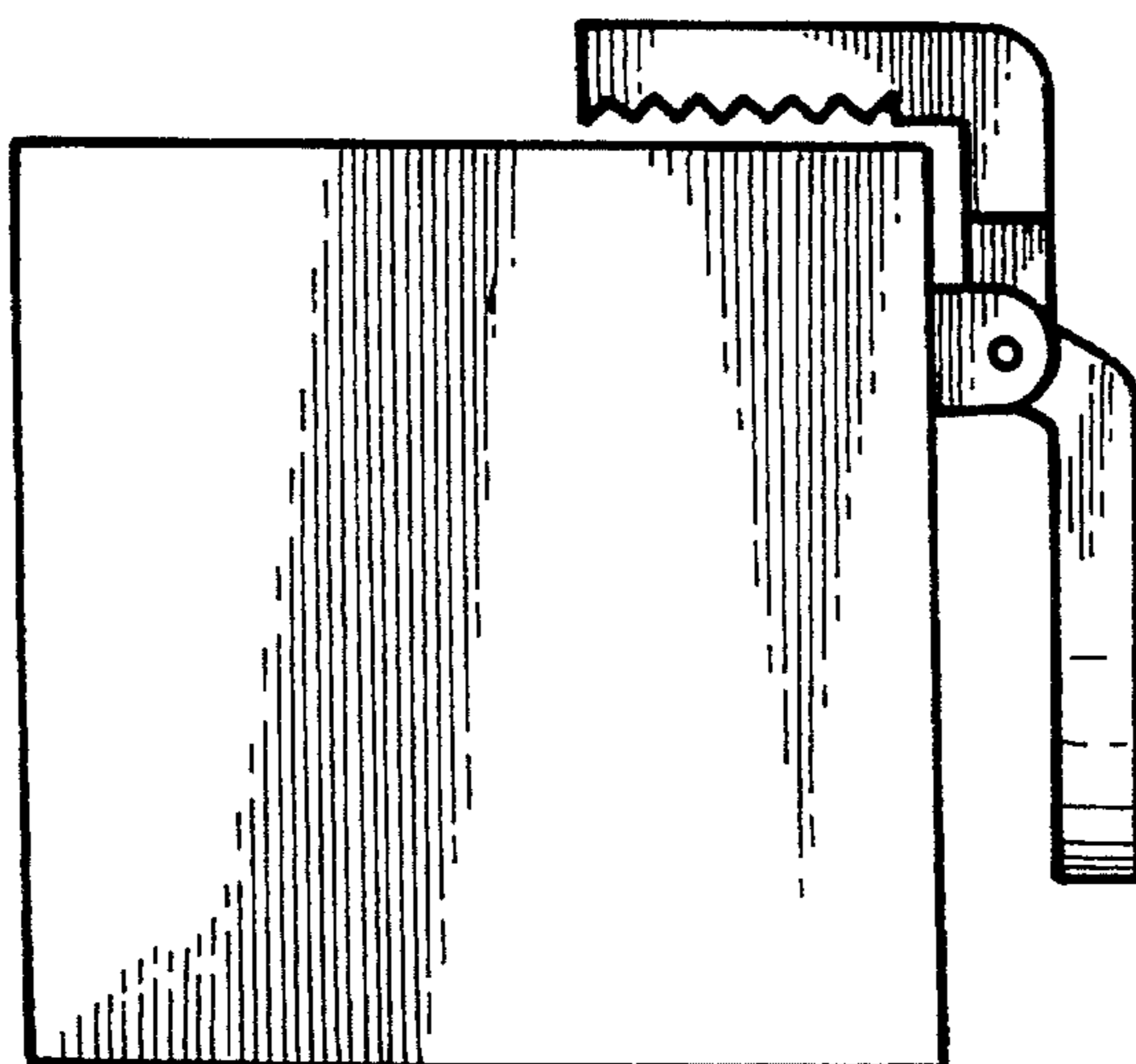


FIG. 4

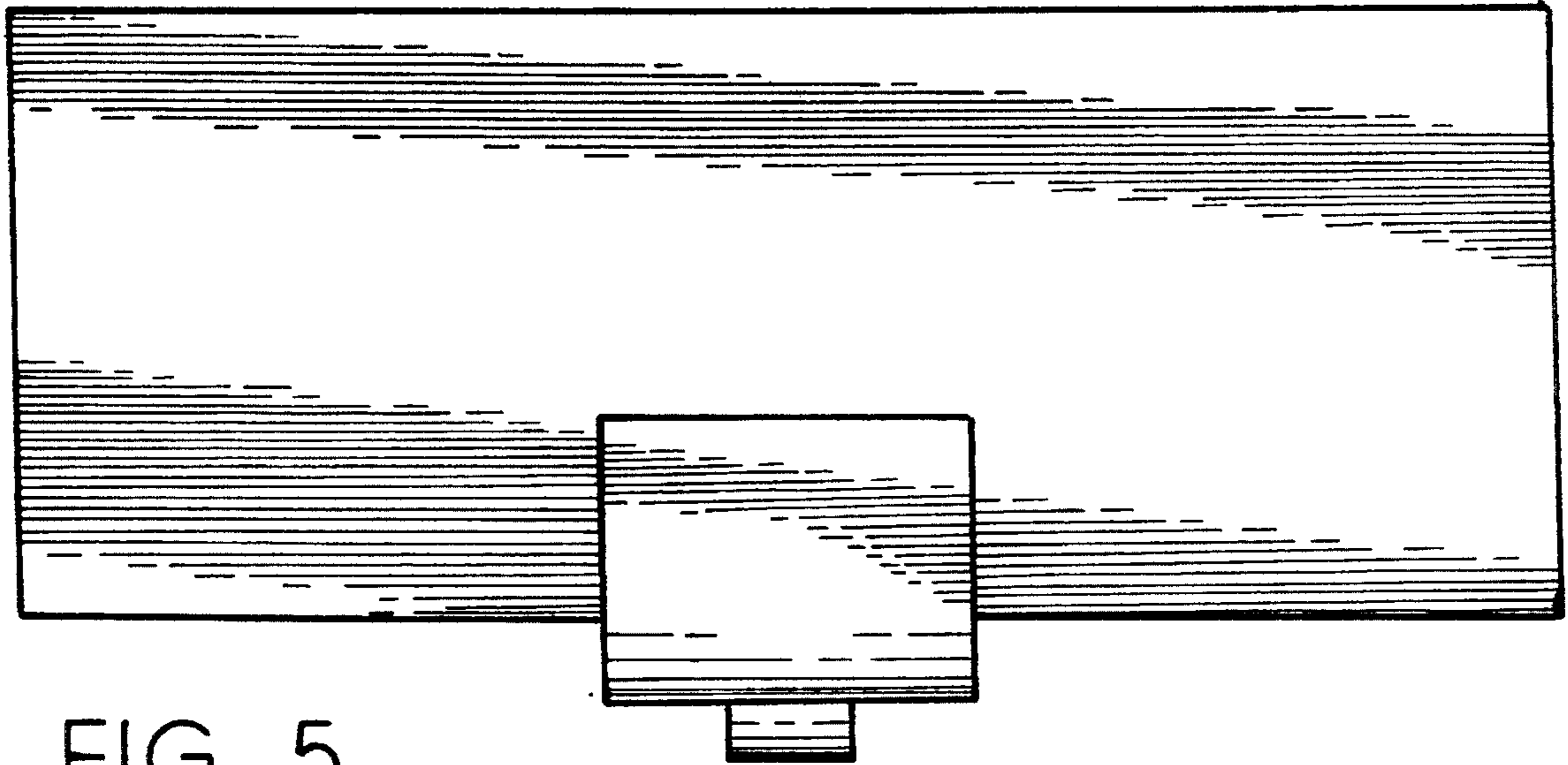


FIG. 5

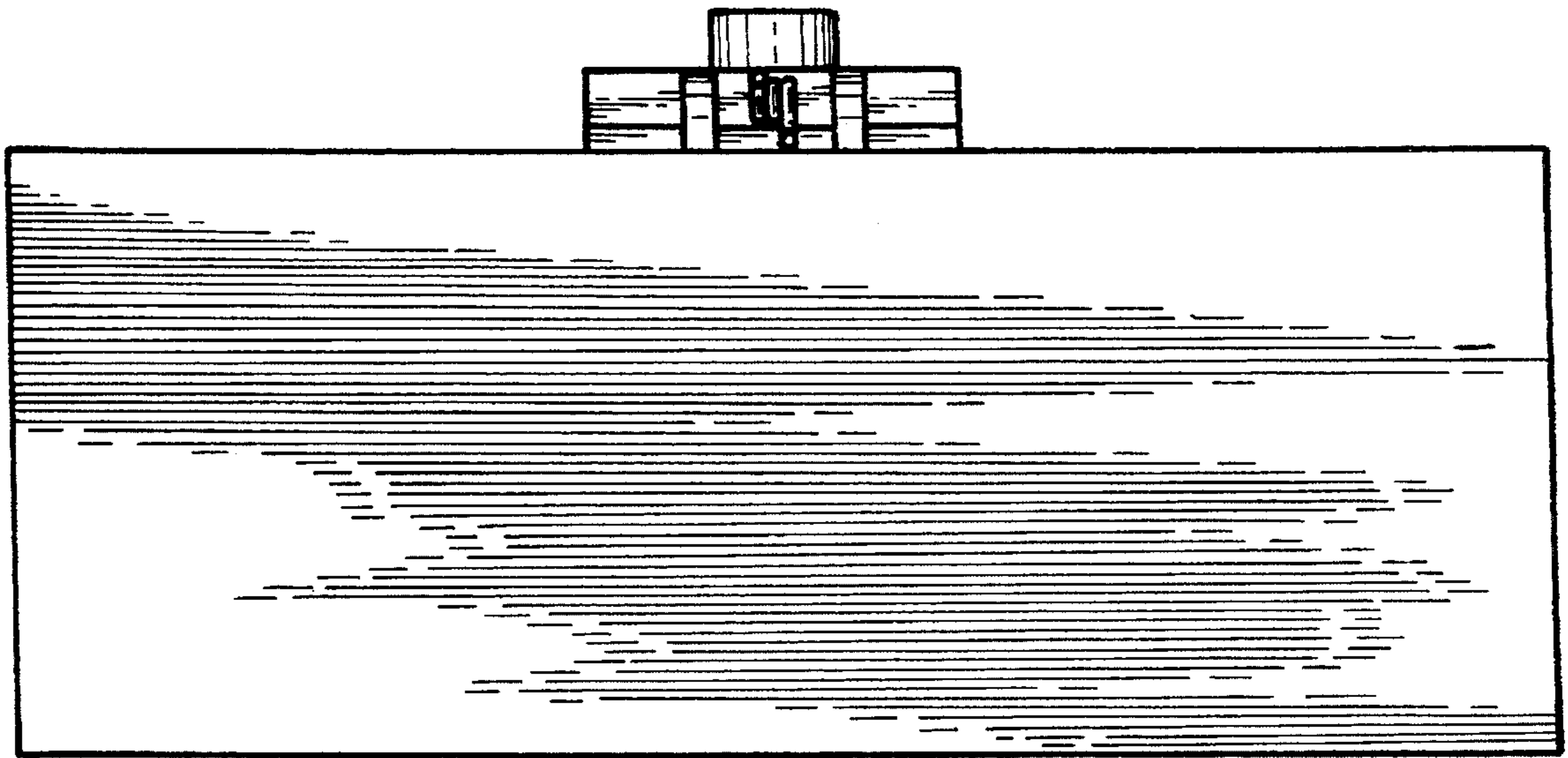


FIG. 6