



US00D362561S

United States Patent [19]

[11] Patent Number: **Des. 362,561**

Natuzzi et al.

[45] Date of Patent: ***** Sep. 26, 1995**

[54] SEAT

[75] Inventors: **Pasquale Natuzzi; Raffaella Lucarelli**, both of Santeramo In Colle, Italy

[73] Assignee: **Industrie Natuzzi S.p.A.**, Bari, Italy

[*] Notice: The portion of the term of this patent subsequent to Sep. 12, 2009 has been disclaimed.

[**] Term: **14 Years**

[21] Appl. No.: **25,417**

[22] Filed: **Jun. 30, 1994**

[52] U.S. Cl. **D6/381; D6/334**

[58] Field of Search D6/334, 335, 336, D6/364, 371, 373, 381, 500, 501, 502; 297/232, 445, 446

[56] References Cited

U.S. PATENT DOCUMENTS

D. 105,104 6/1937 Hines et al. D6/381
D. 284,145 6/1986 Staats et al. D6/381

OTHER PUBLICATIONS

Interiors, Jan. 1978, p. 56, B&B America chair, second frame down on left.
Domus, Jan. 1982, p. 5, sofa at top.
Waynline, Jul. 1982, #628 Group shown.
Waynline, Jul. 1988, #602 Group shown.
Roche-Bobois, ©1990, p.49, chair at top and sofa below.
Natuzzi Model 178, Apr. 1987 at International Home Furnishings Market in High Point, North Carolina.
Natuzzi Model 419, Oct. 1987 at International Home Furnishings in High Point, North Carolina.
Natuzzi Model 484, Apr. 1989 at International Home Furnishings Market in High Point, North Carolina.
Natuzzi Model 759, Apr. 1990 at International Home Furnishings Market in High Point, North Carolina.
Natuzzi Model 765, Apr. 1990 at International Home Furnishings Market in High Point, North Carolina.
Natuzzi Model 813, Oct. 1990 at International Home Furnishings Market in High Point, North Carolina.

Natuzzi Model 839, Apr. 1991 at International Home Furnishings Market in High Point, North Carolina.
Natuzzi Model 860, Oct. 1991 at International Home Furnishings Market in High Point, North Carolina.
Natuzzi Model 863, Oct. 1991 at International Home Furnishings Market in High Point, North Carolina.
Natuzzi Model 910, Apr. 1992 at International Home Furnishings Market in High Point, North Carolina.
Natuzzi Model 934, Apr. 1992 at International Home Furnishings Market in High Point, North Carolina.
Natuzzi Model 937, Apr. 1992 at International Home Furnishings Market in High Point, North Carolina.
Natuzzi Model 963, Sep. 1992 at International Home Furnishings Market in High Point, North Carolina.
Natuzzi Model 973, Oct. 1992 at International Home Furnishings Market in High Point, North Carolina.

Primary Examiner—Alan P. Douglas
Assistant Examiner—Gary D. Watson
Attorney, Agent, or Firm—Bell, Seltzer, Park & Gibson

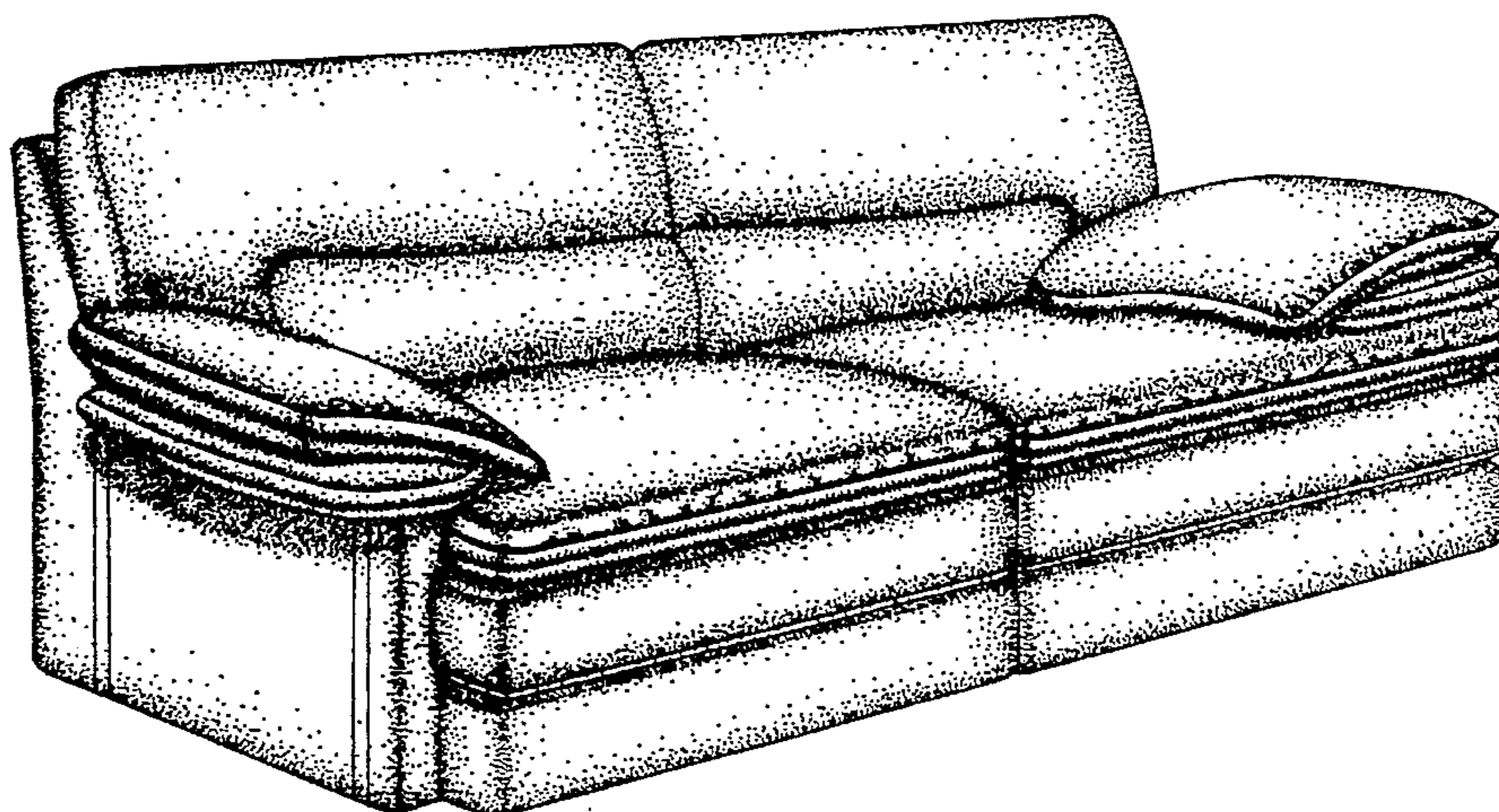
[57] CLAIM

The ornamental design for a seat, as shown and described.

DESCRIPTION

FIG. 1 is a right side perspective view of a seat showing our new design in the form of a sofa;
FIG. 2 is a left side perspective view;
FIG. 3 is a right side perspective view of a seat showing our new design in the form of a love seat;
FIG. 4 is a left side perspective view;
FIG. 5 is a right side perspective view of a seat showing our new design in the form of a chair;
FIG. 6 is a left side perspective view;
FIG. 7 is a front elevational view;
FIG. 8 is a rear perspective view of the sofa shown in FIG. 1;
FIG. 9 is a rear perspective view of the loveseat shown in FIG. 3; and,
FIG. 10 is a rear perspective view the chair shown in FIG. 5.
The portion shown in the broken lines in the drawings forms no part of the design being claimed.

1 Claim, 5 Drawing Sheets



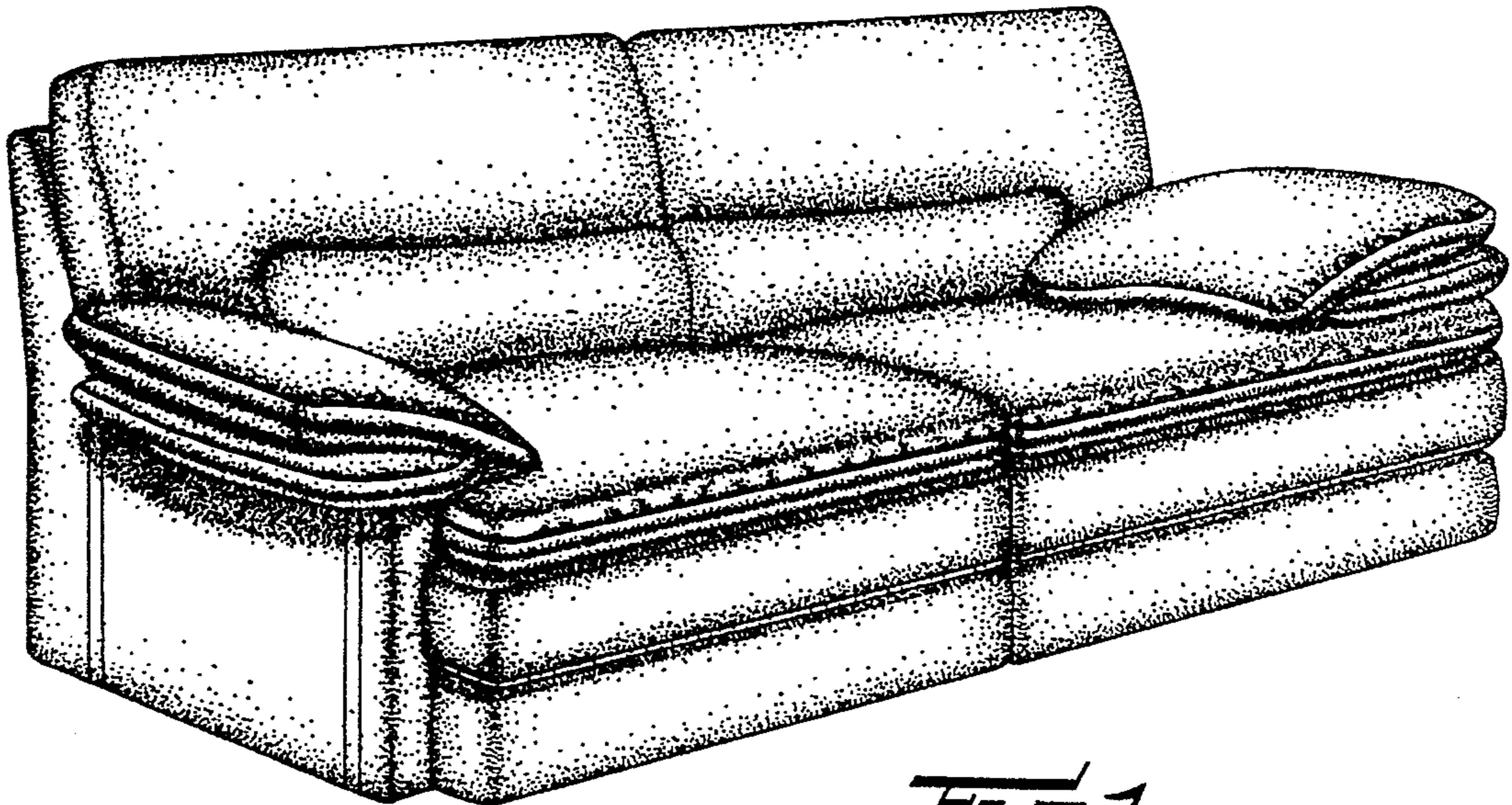


FIG-1

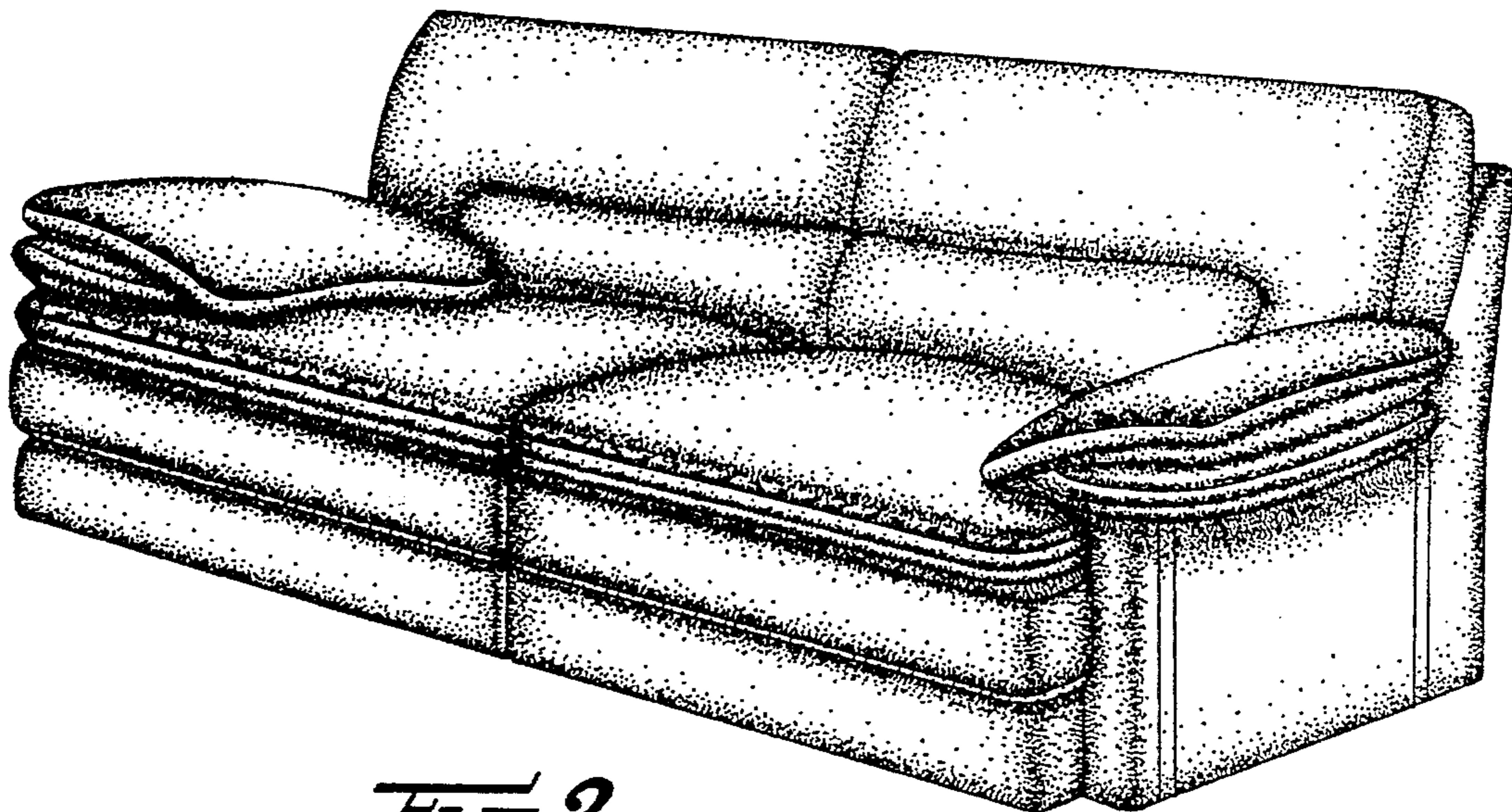


FIG-2

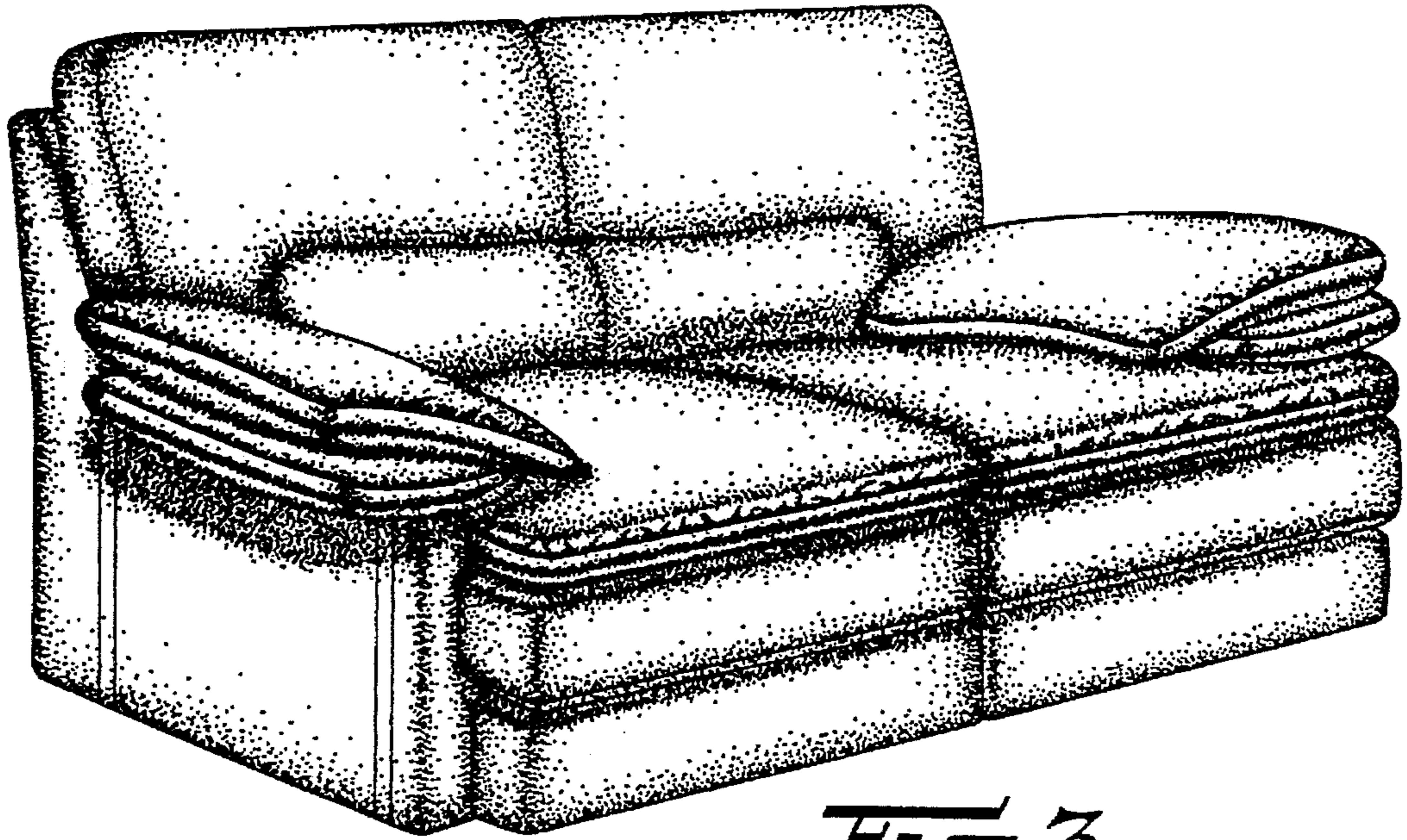


FIG-3

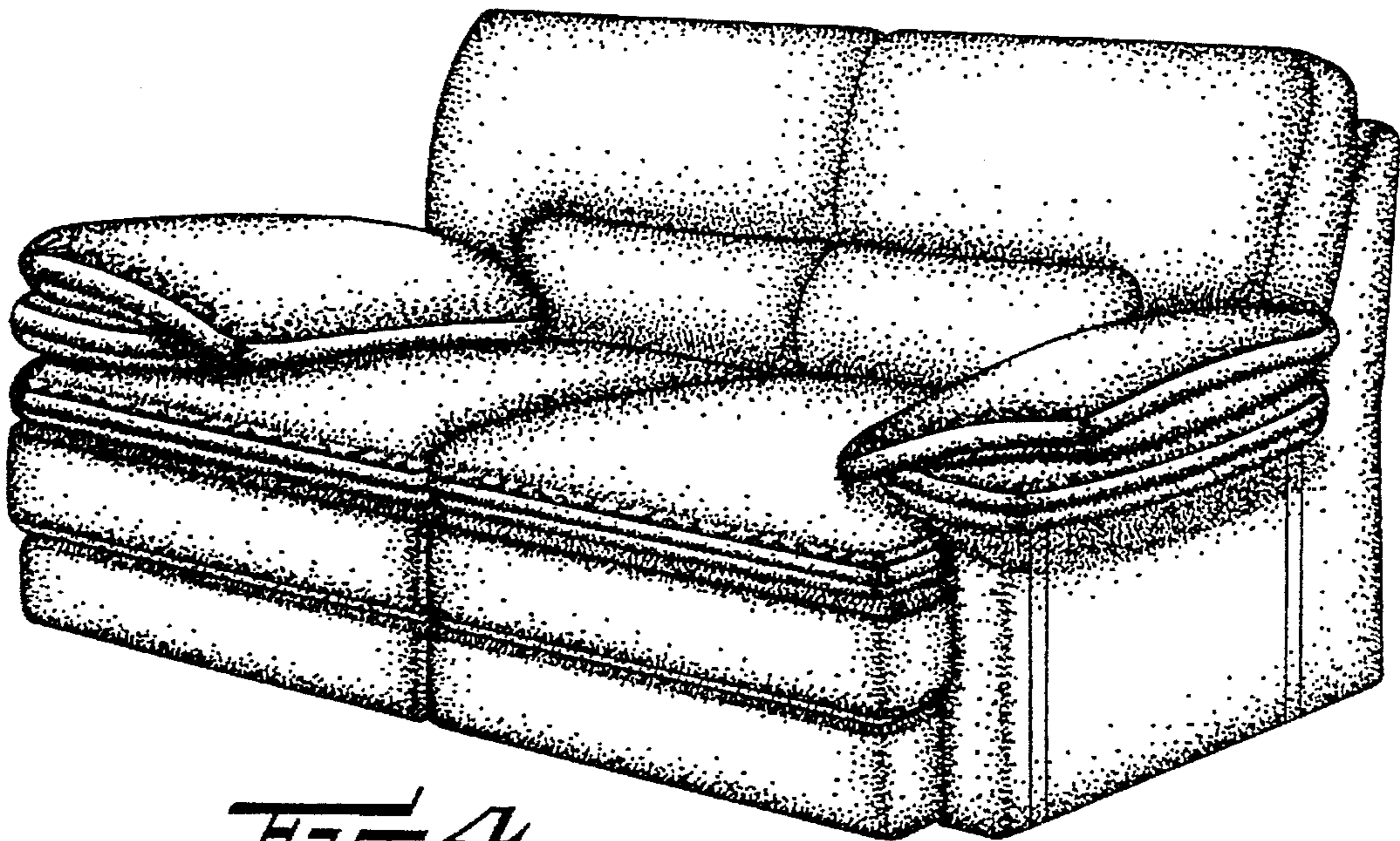


FIG-4

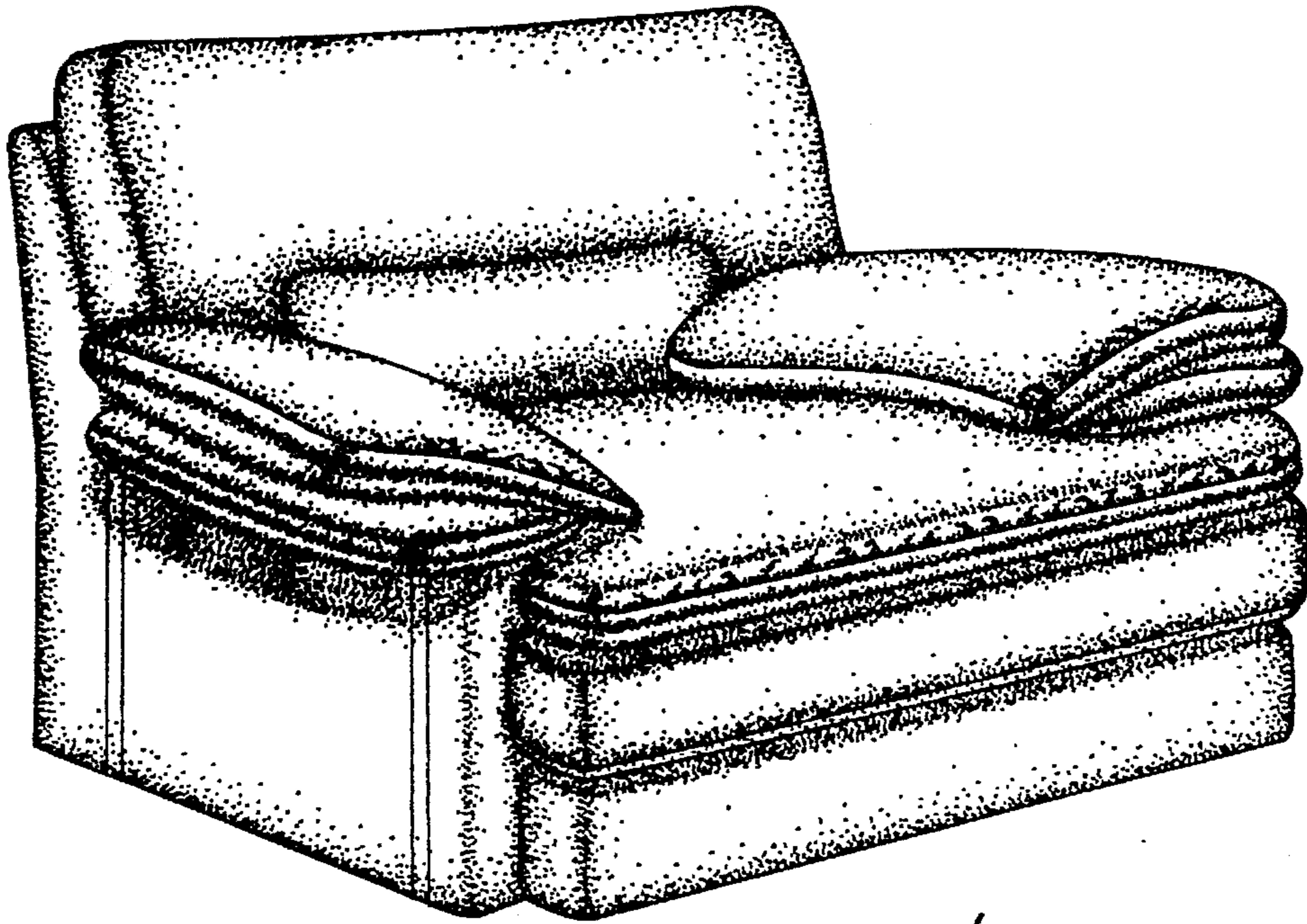


FIG-5

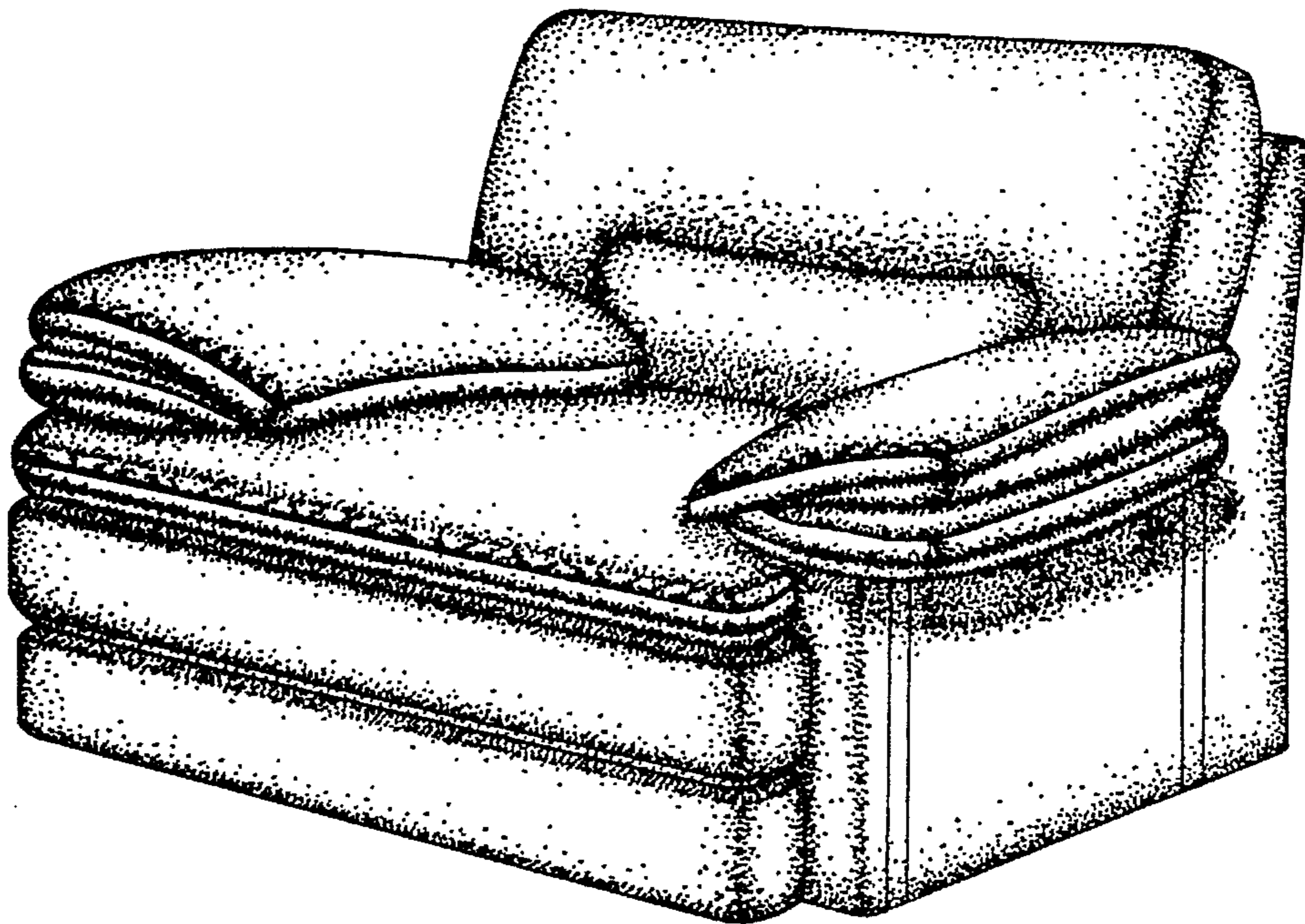


FIG-6

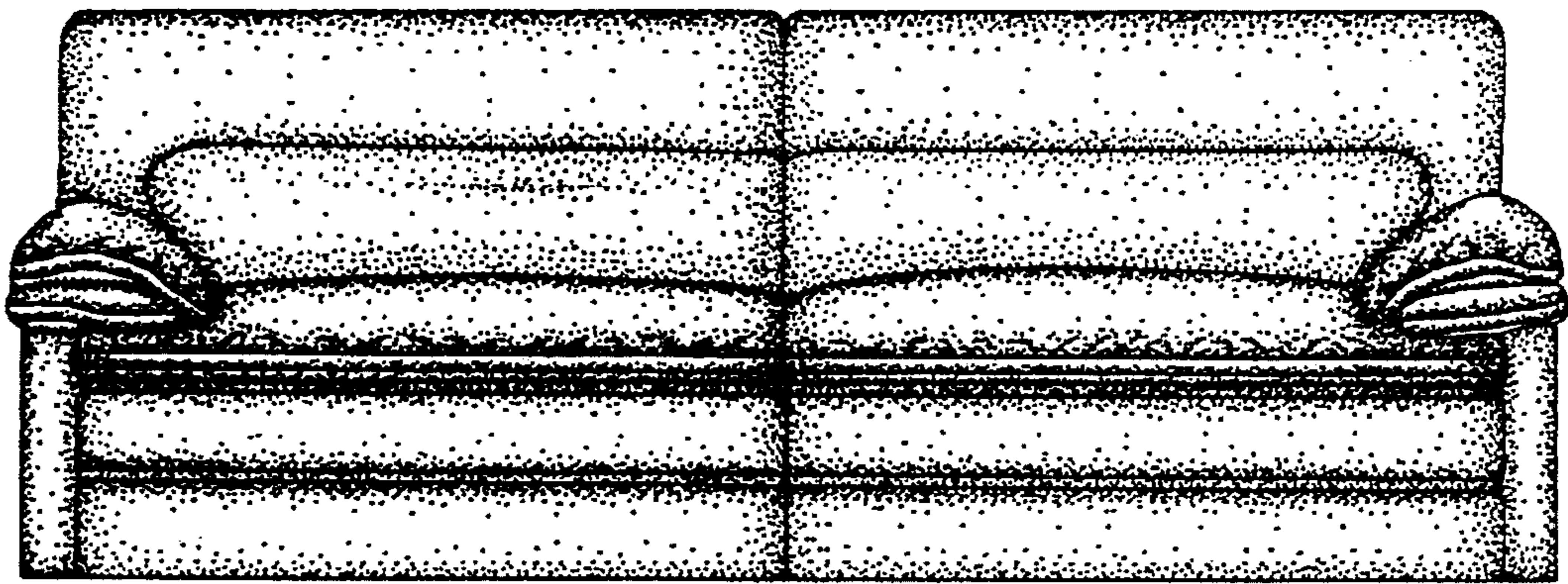


FIG-7

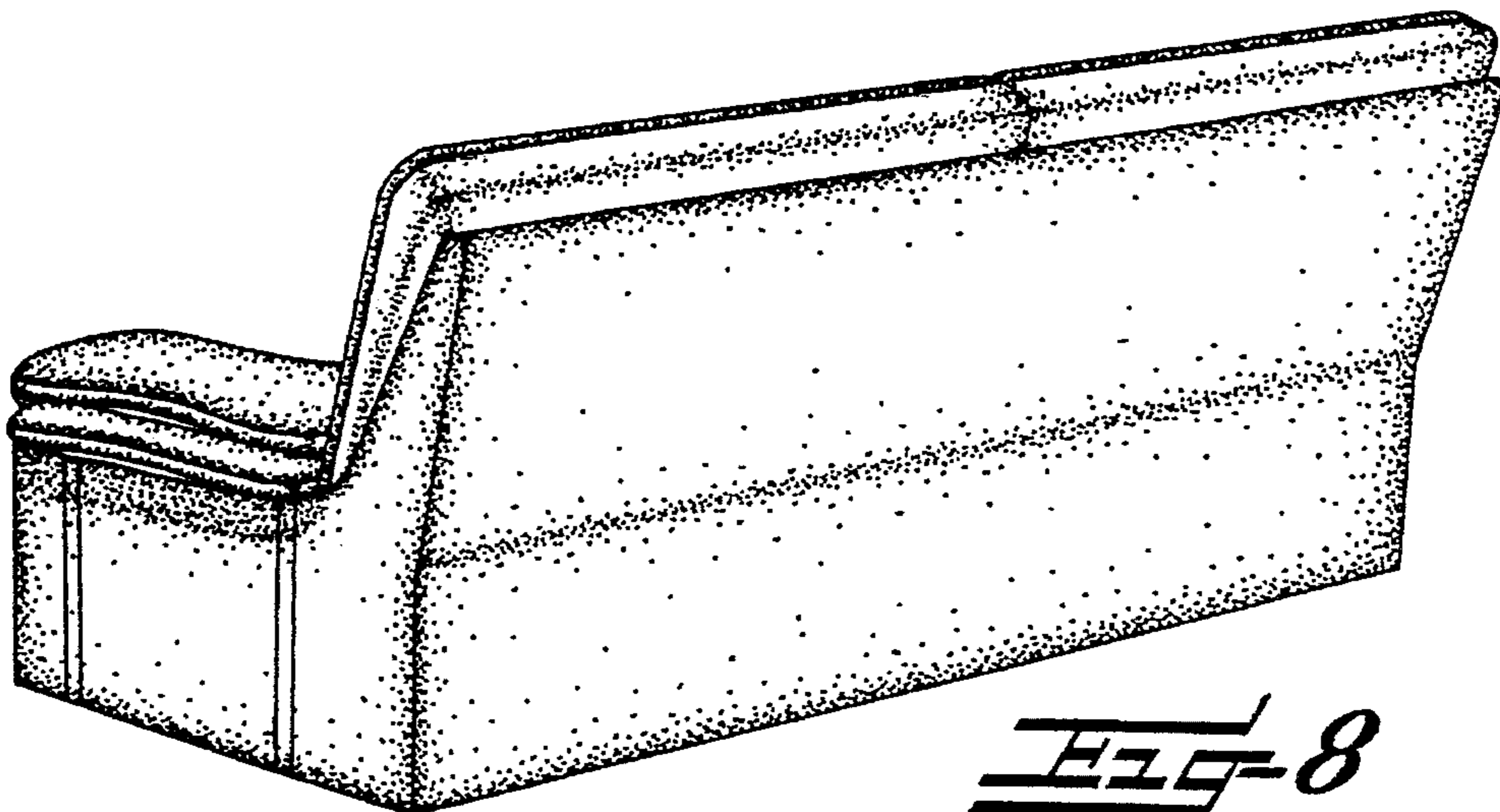


FIG-8

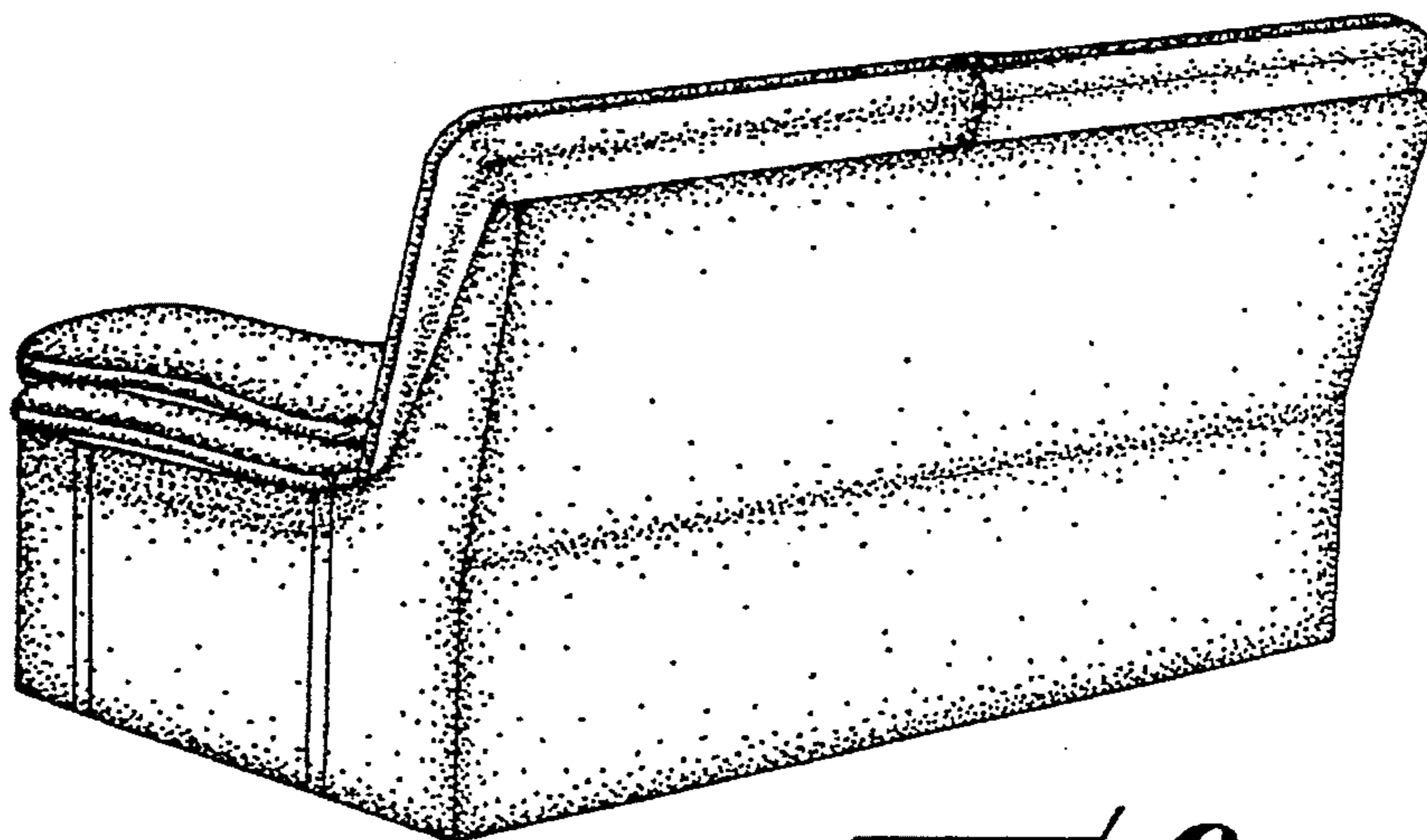


FIG-9

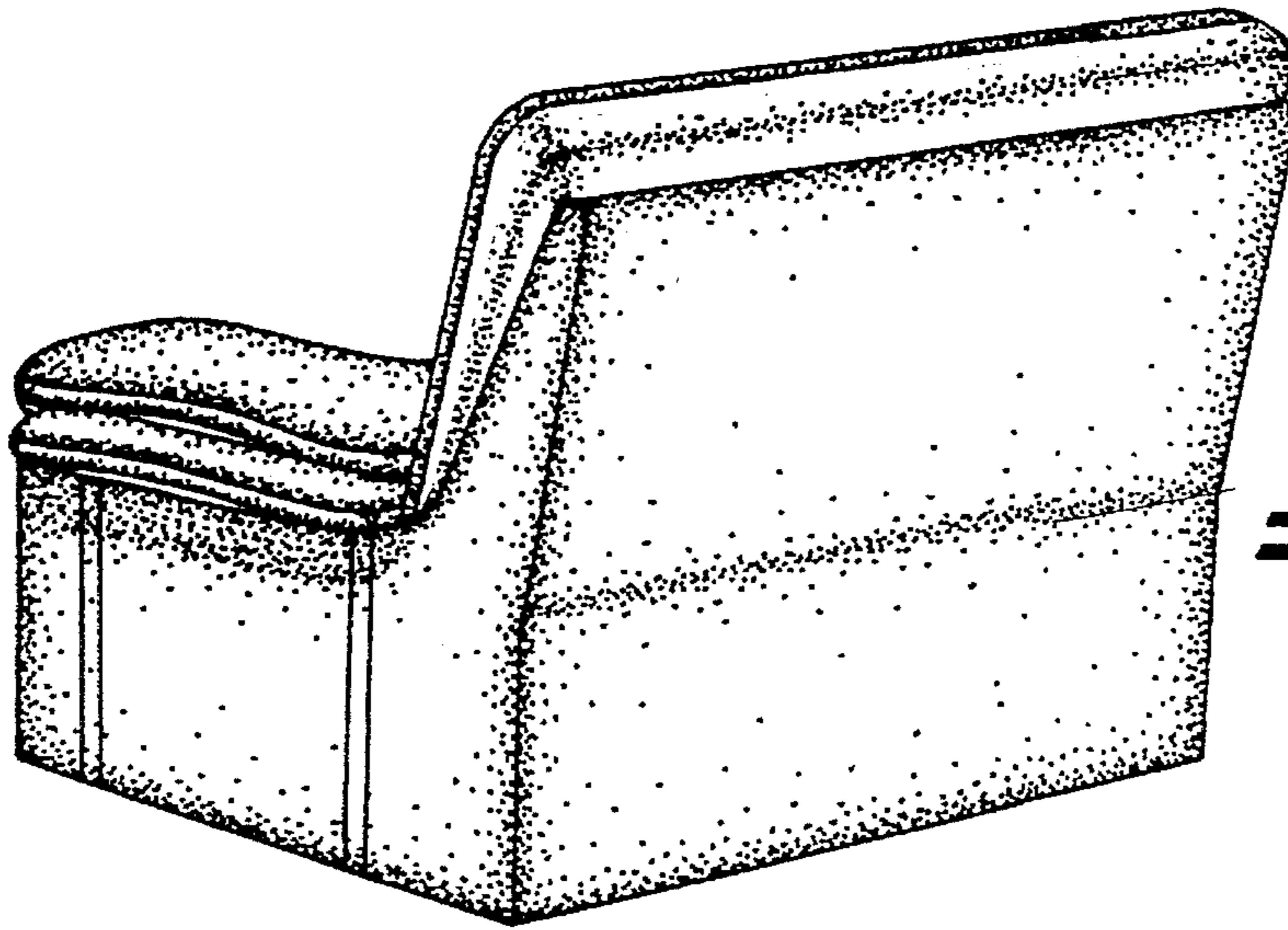


FIG-10