



US00D362560S

United States Patent [19]

[11] Patent Number: **Des. 362,560**

Natuzzi et al.

[45] Date of Patent: ****Sep. 26, 1995**

[54] **SOFA**

[75] Inventors: **Pasquale Natuzzi; Raffaella Lucarelli**,
both of Santeramo In Colle, Italy

[73] Assignee: **Industrie Natuzzi, Spa**, Bari, Italy

[**] Term: **14 Years**

[21] Appl. No.: **18,411**

[22] Filed: **Feb. 4, 1994**

[52] U.S. Cl. **D6/381**

[58] Field of Search D6/334, 335, 336,
D6/364, 371, 373, 381, 500, 501, 502;
297/232

[56] **References Cited**

U.S. PATENT DOCUMENTS

D. 327,588 7/1992 Harmon D6/381
D. 349,613 8/1994 Greene D6/381

OTHER PUBLICATIONS

Abitare, May, 1979, p. 79, Sofa in background.
Natuzzi Model No. IPNO Apr. 1986 at International Home
Furnishings Market in High Point, N.C.
Natuzzi Model No. 451 Oct. 1988 at International Home
Furnishings Market in High Point, N.C.
Natuzzi Model No. 632/633 Apr. 1989 at International
Home Furnishings Market in High Point, N.C.
Natuzzi Model No. 634/635 Apr. 1989 at International
Home Furnishings Market in High Point, N.C.
Natuzzi Model No. 711 Oct. 1989 at International Home
Furnishings Market in High Point, N.C.
Natuzzi Model No. 762 Apr. 1990 at International Home
Furnishings Market in High Point, N.C.
Natuzzi Model No. 780 Oct. 1990 at International Home
Furnishings Market in High Point, N.C.

Natuzzi Model No. 799 Oct. 1990 at International Home
Furnishings Market in High Point, N.C.
Natuzzi Model No. 827 Apr. 1991 at International Home
Furnishings Market in High Point, N.C.
Natuzzi Model No. 833 Apr. 1991 at International Home
Furnishings Market in High Point, N.C.
Natuzzi Model No. 855 Oct. 1991 at International Home
Furnishings Market in High Point, N.C.
Natuzzi Model No. 864 Oct. 1991 at International Home
Furnishings Market in High Point, N.C.
Natuzzi Model No. 874 Oct. 1991 at International Home
Furnishings Market in High Point, N.C.
Natuzzi Model No. 888 Oct. 1991 at International Home
Furnishings Market in High Point, N.C.
Natuzzi Model No. 928 Apr. 1992 at International Home
Furnishings Market in High Point, N.C.
Natuzzi Model No. 942 Oct. 1992 at International Home
Furnishings Market in High Point, N.C.
Natuzzi Model No. 953 Sep. 1992 at International Home
Furnishings Market in High Point, N.C.
Natuzzi Model No. 954 Oct. 1992 at International Home
Furnishings Market in High Point, N.C.

Primary Examiner—Alan P. Douglas
Assistant Examiner—Gary D. Watson
Attorney, Agent, or Firm—Bell, Seltzer, Park & Gibson

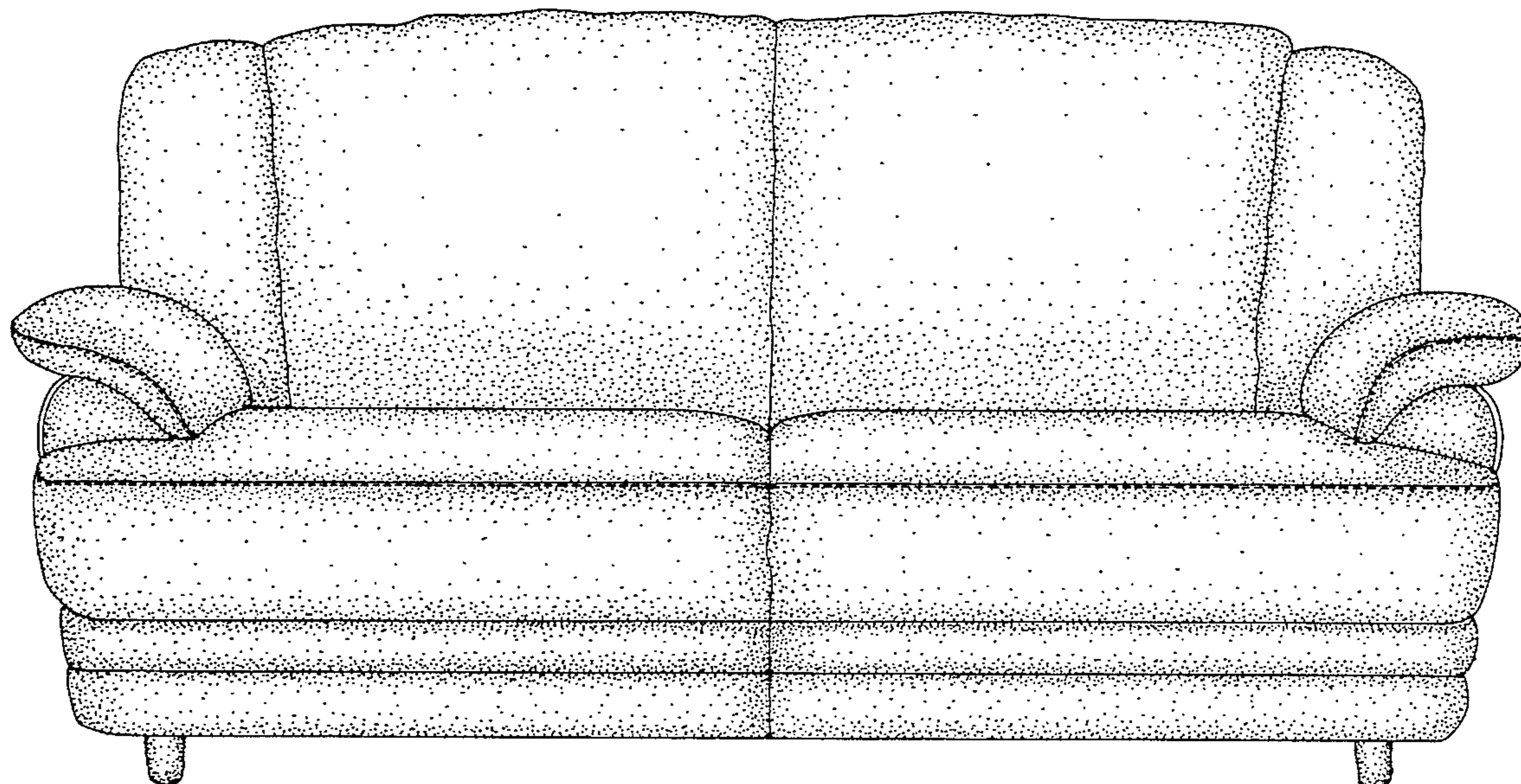
[57] **CLAIM**

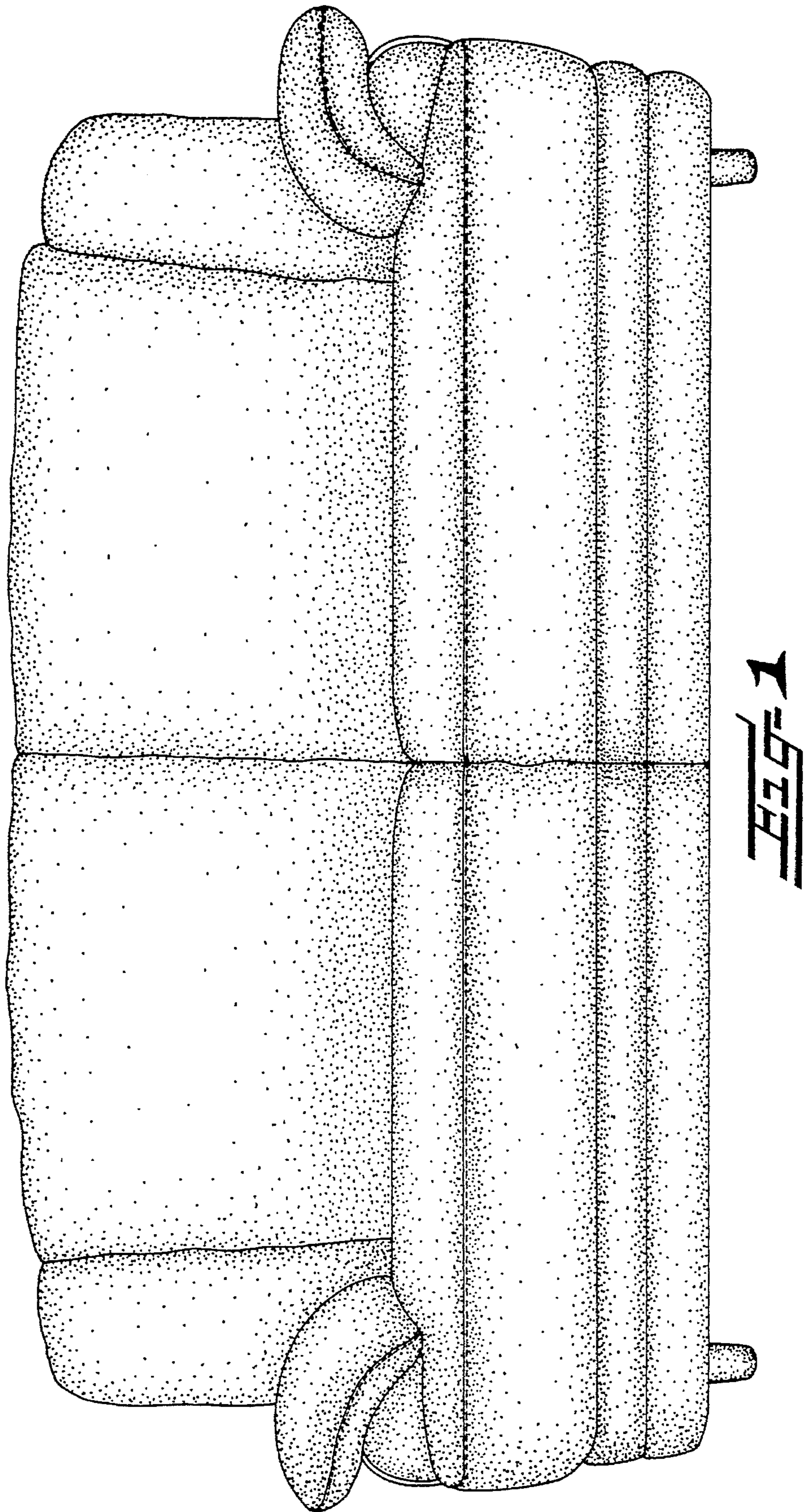
The ornamental design for a sofa, as shown and described.

DESCRIPTION

FIG. 1 is a perspective view of a sofa showing our new
design;
FIG. 2 is a right side elevational view, and the left side
elevational view being a mirror image thereof;
FIG. 3 is a top plan view; and,
FIG. 4 is a rear perspective view.

1 Claim, 2 Drawing Sheets





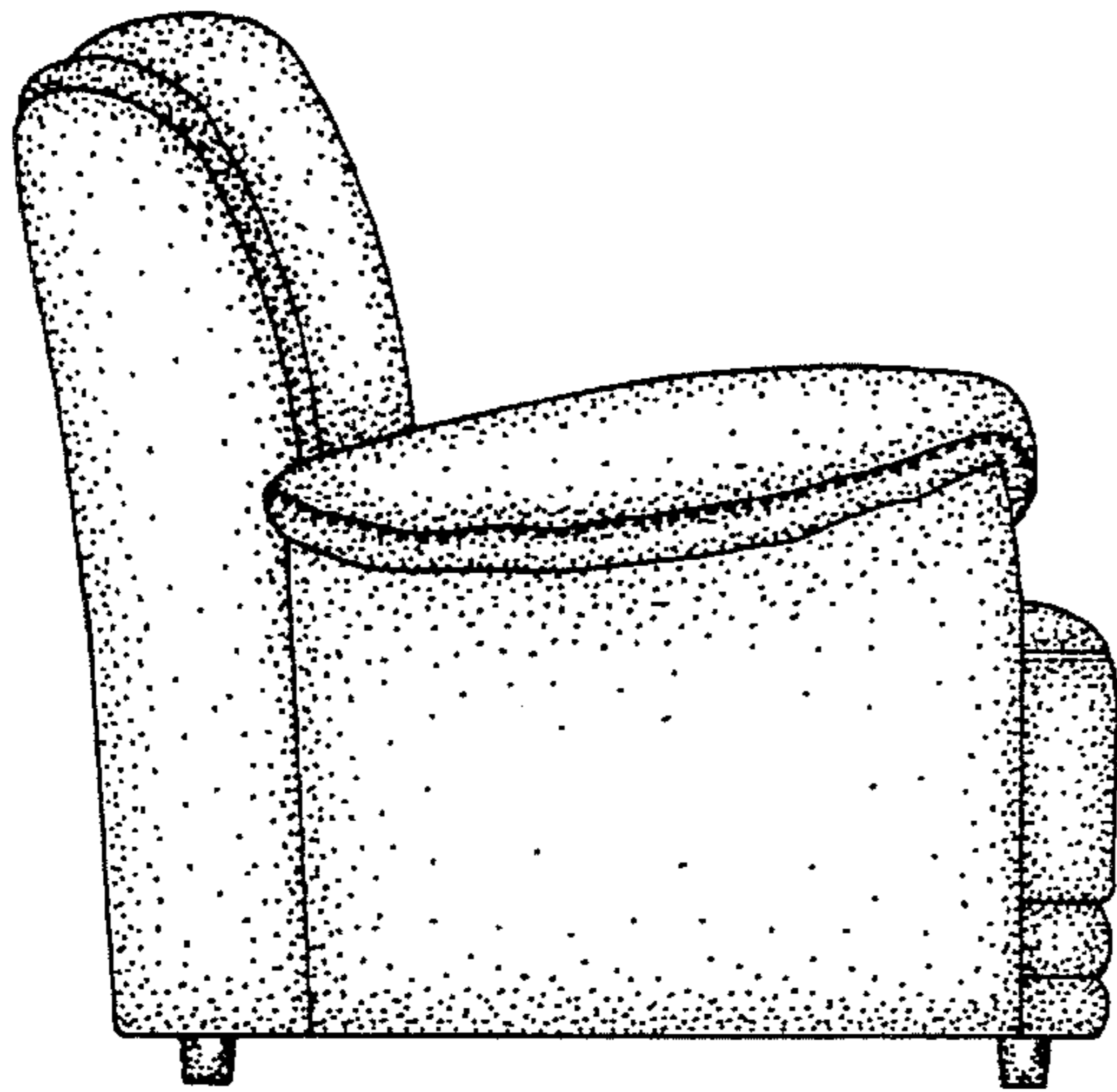


FIG-2

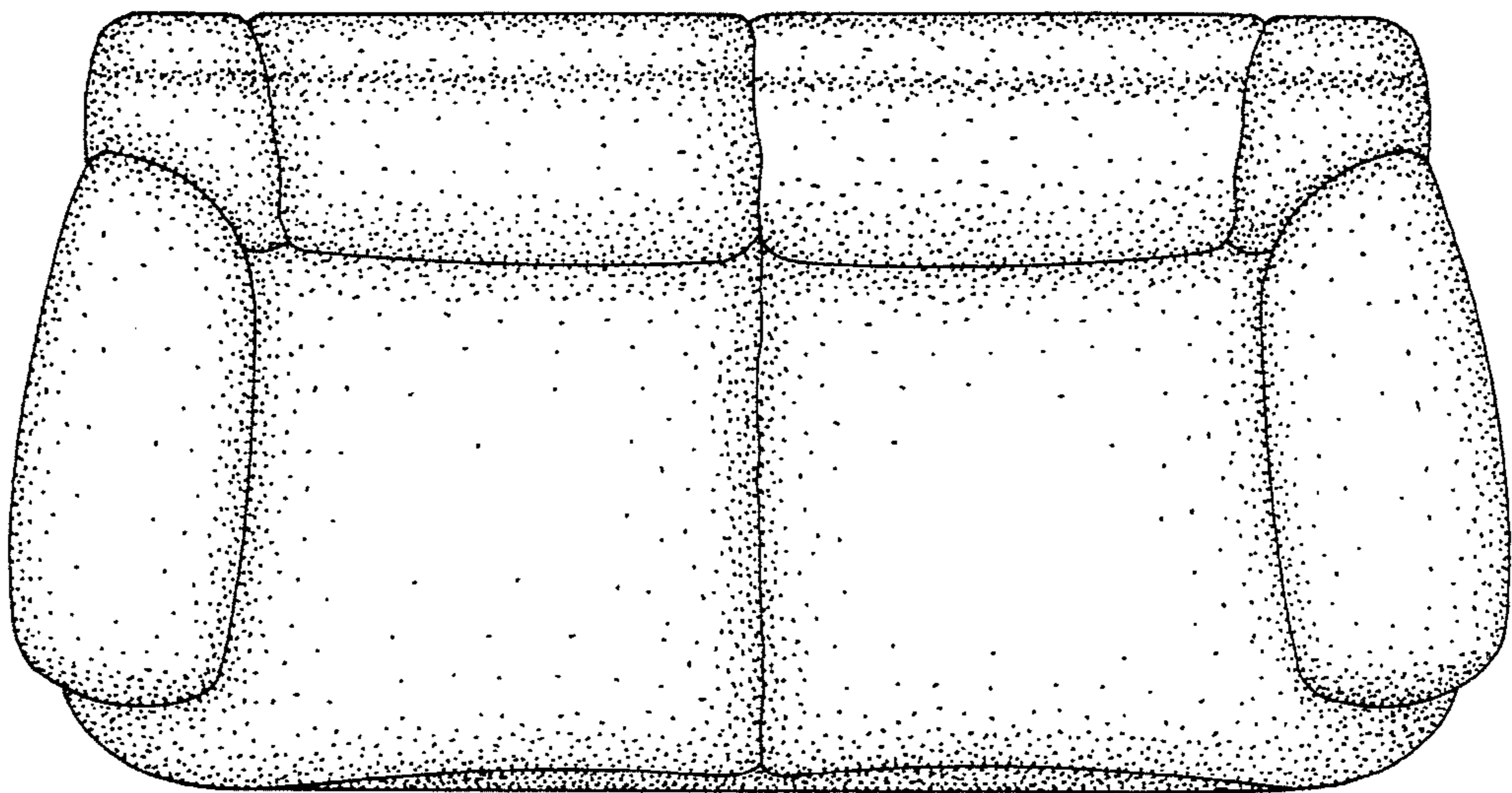


FIG-3

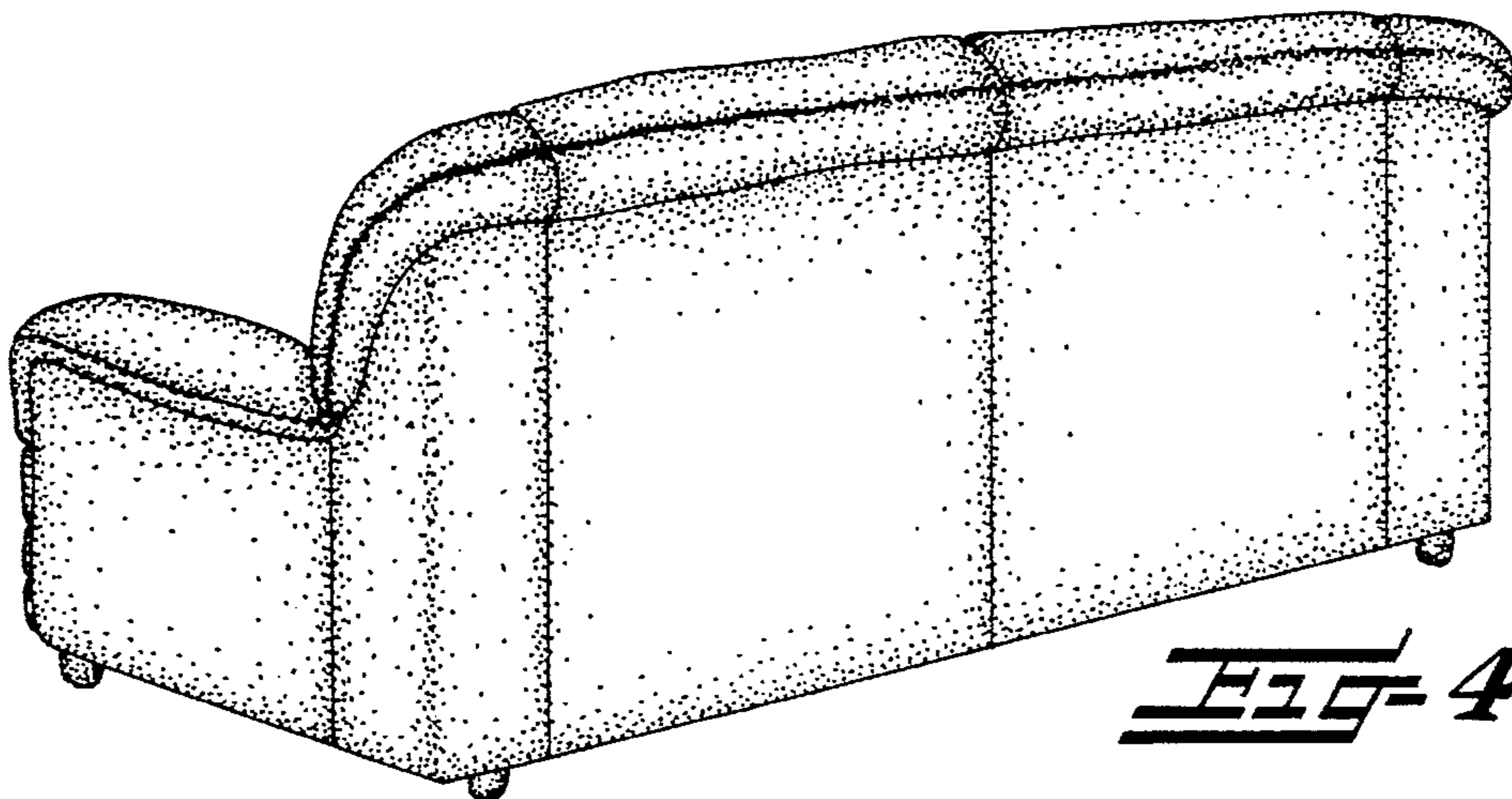


FIG-4