



US00D362557S

United States Patent [19]

[11] **Patent Number:** **Des. 362,557**

Escalona

[45] **Date of Patent:** ****Sep. 26, 1995**

[54] **SEAT**

[75] Inventor: **Manuel A. Escalona**, Barcelona, Spain

[73] Assignee: **Comercial Kettal, S.A.**, Barcelona, Spain

[**] Term: **14 Years**

[21] Appl. No.: **26,948**

[22] Filed: **Aug. 10, 1994**

[30] **Foreign Application Priority Data**

Feb. 24, 1994 [ES] Spain 132.013 B

[52] **U.S. Cl.** **D6/375; D6/379**

[58] **Field of Search** D6/334, 370, 374,
D6/375, 376, 379, 500, 501, 502; 297/411.42,
446

[56] **References Cited**

U.S. PATENT DOCUMENTS

- D. 183,009 6/1958 MacKintosh D6/375
- D. 258,924 4/1981 Deschamps et al. D6/375
- D. 291,632 9/1987 Zola D6/379
- D. 300,189 3/1989 Frinier D6/379

- D. 305,389 1/1990 Bellini D6/379
- D. 308,305 6/1990 Snodgrass D6/379
- D. 312,005 11/1990 Snodgrass D6/379
- D. 337,447 7/1993 Fahnstrom et al. D6/375 X

OTHER PUBLICATIONS

Design Institute America, Ellipse Chair at bottom left.
Winston Furn. Co., p. 53, Chair #8010 at top right.
Winston Furn. Co., p. 61, Chair #8202-R at top left.

Primary Examiner—Alan P. Douglas
Assistant Examiner—Gary D. Watson
Attorney, Agent, or Firm—Kuhn and Muller

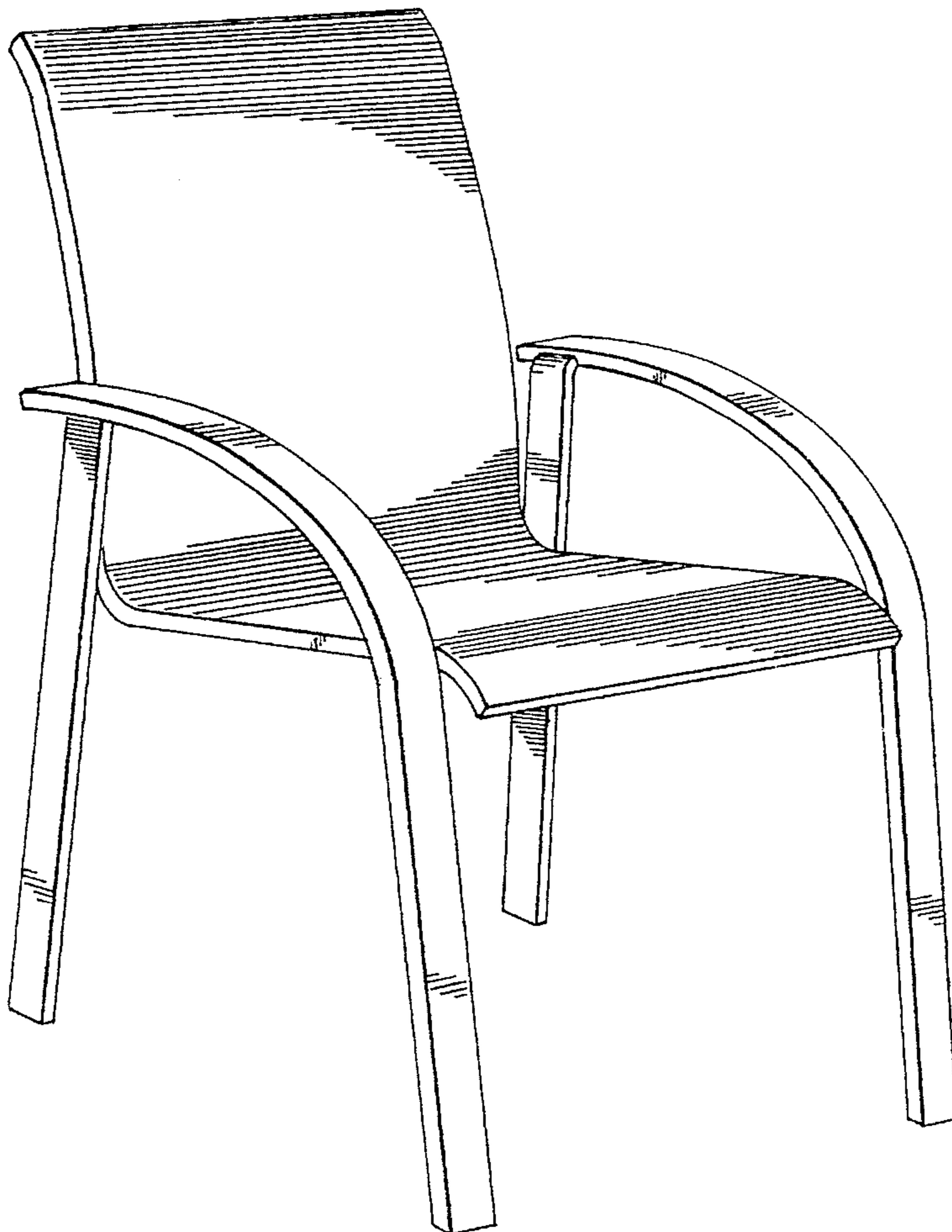
[57] **CLAIM**

The ornamental design for a seat, as shown and described.

DESCRIPTION

FIG. 1 is an overall perspective view of a seat showing my new design;
FIG. 2 is a front elevational view thereof;
FIG. 3 is a rear elevational view thereof;
FIG. 4 is a left side elevational view, the right side being a mirror image view thereof; and,
FIG. 5 is a top plan view thereof.

1 Claim, 3 Drawing Sheets



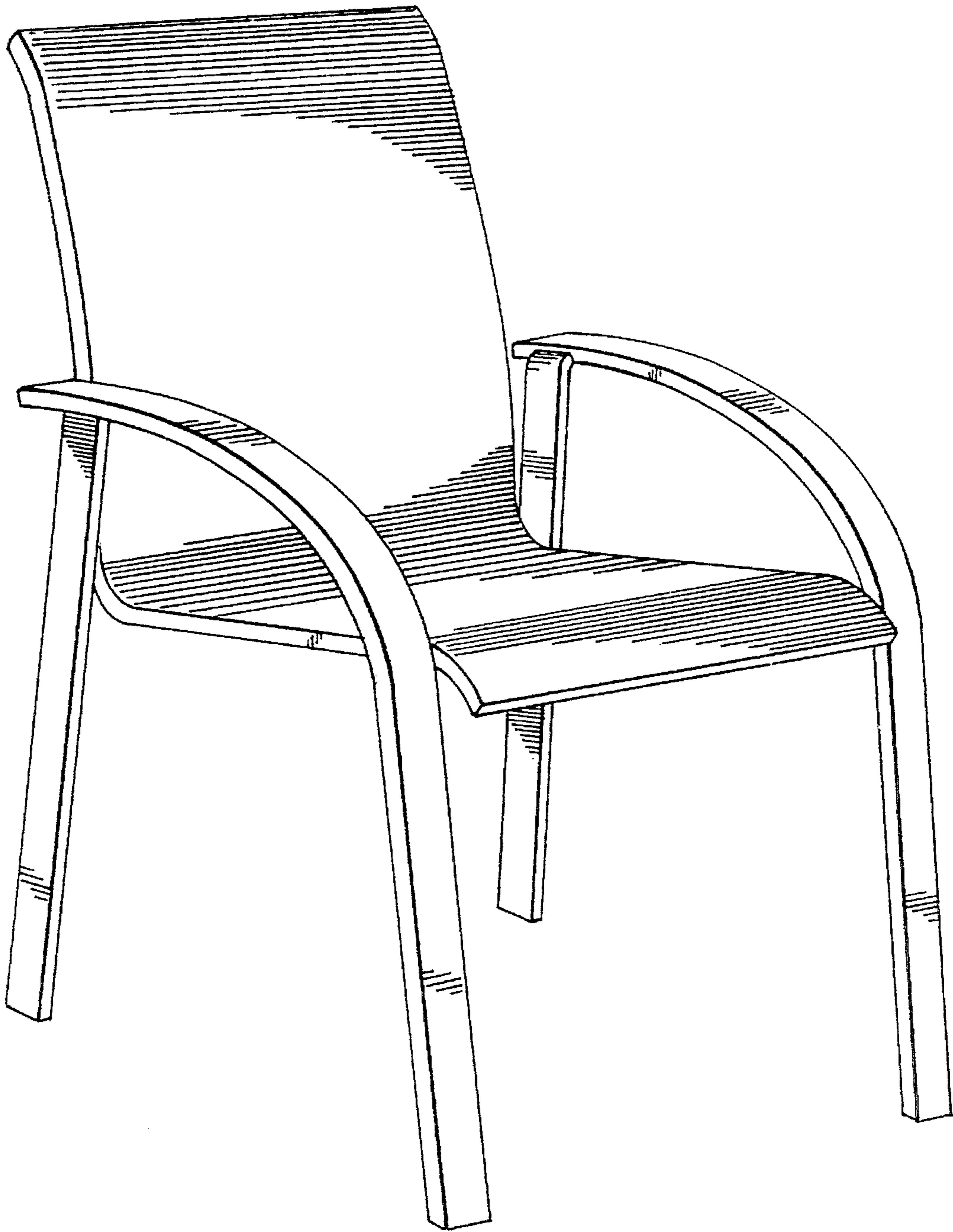


Fig. 1

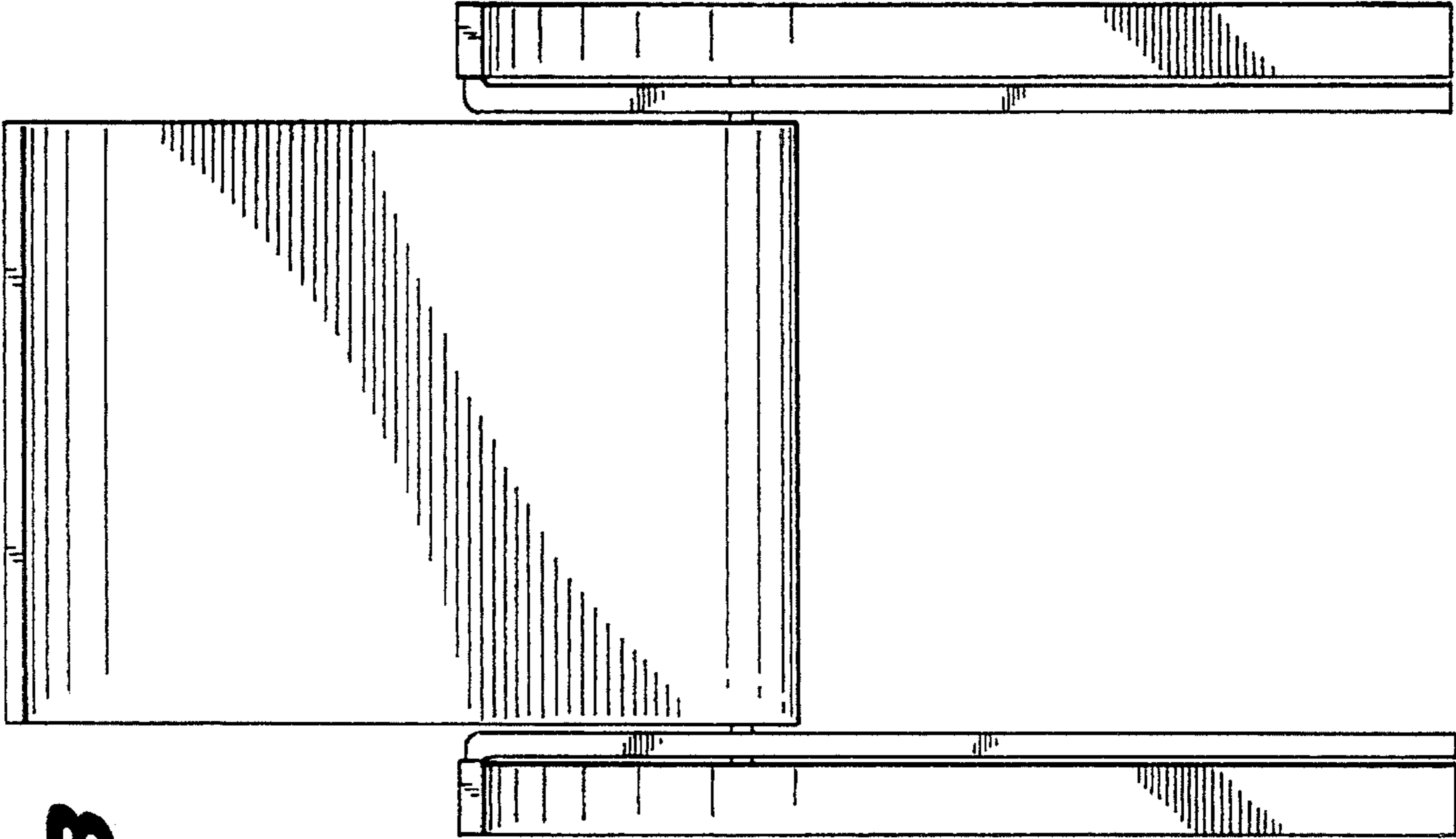


Fig. 3

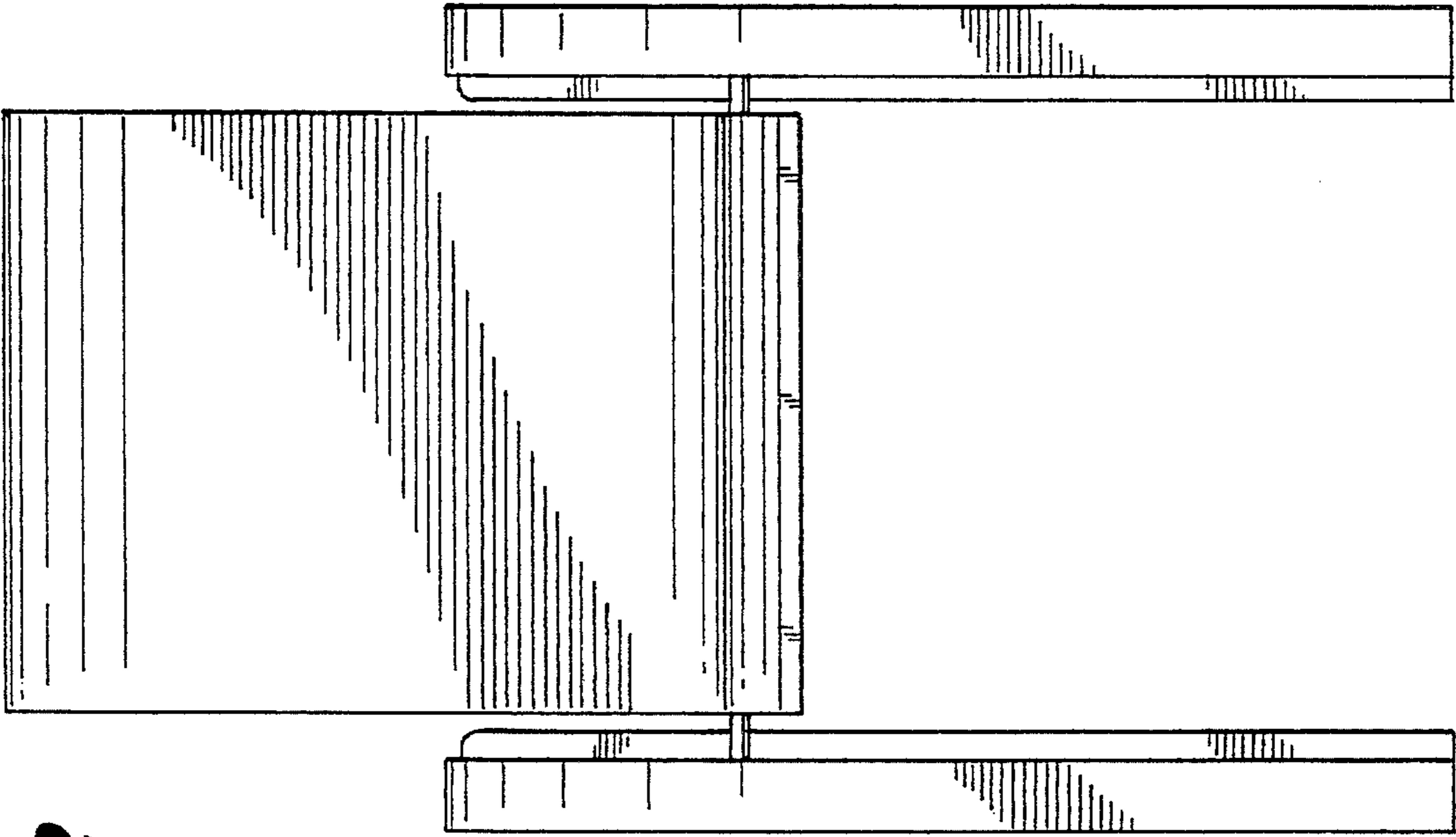


Fig. 2

Fig. 5

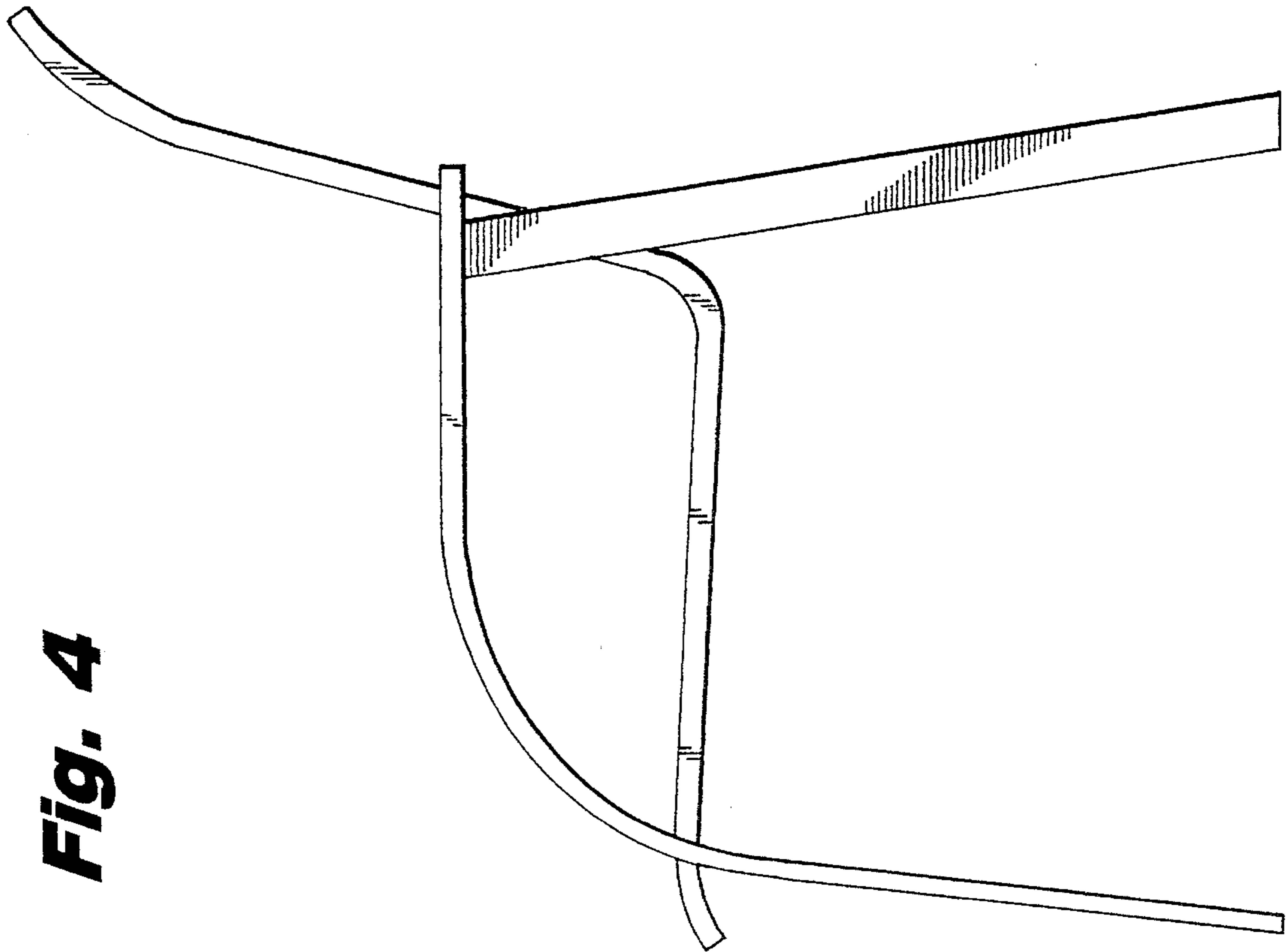
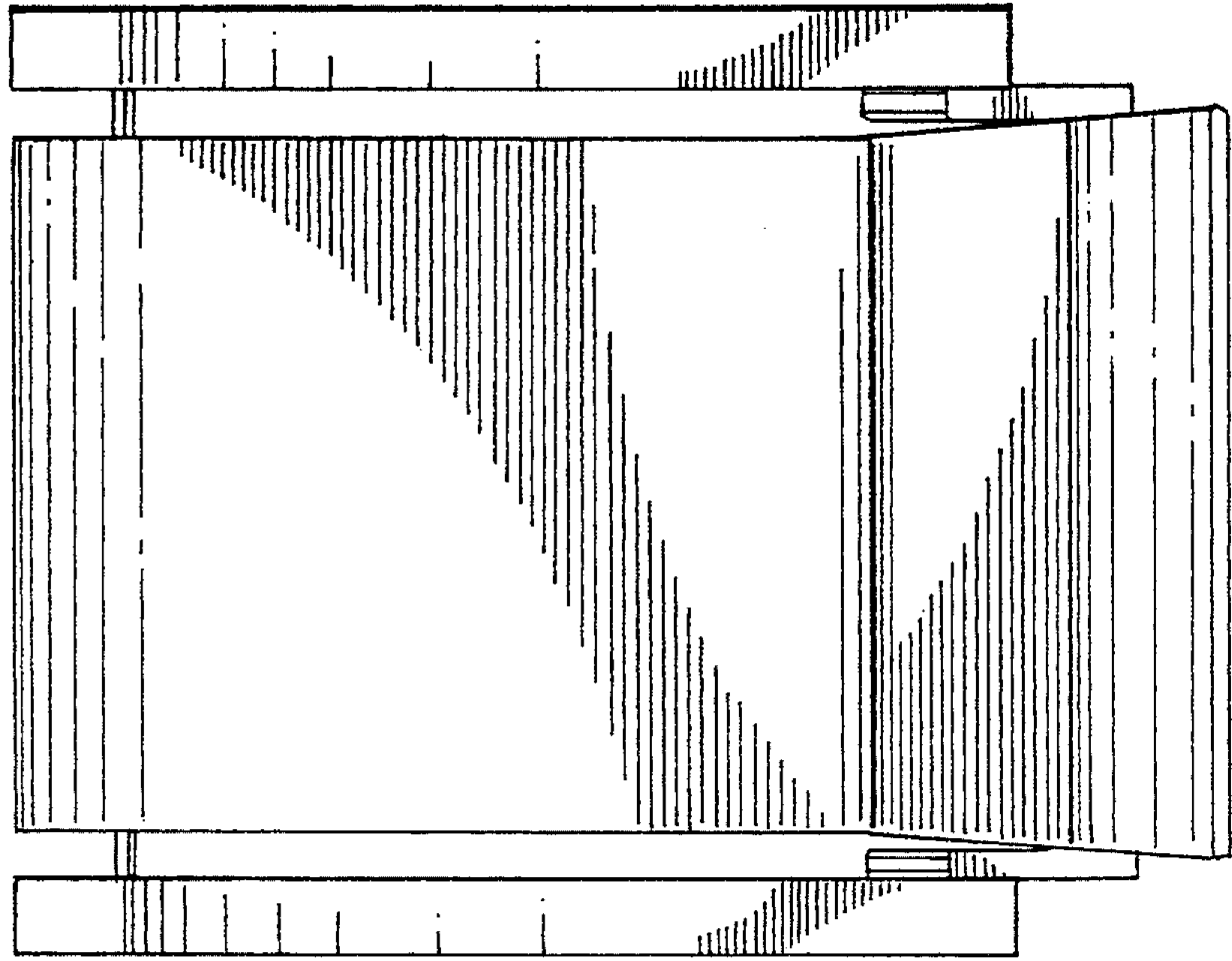


Fig. 4