



US00D362556S

# United States Patent [19]

[11] Patent Number: **Des. 362,556**

VanSkiver

[45] Date of Patent: **\*\*Sep. 26, 1995**

[54] CHAIR

D. 333,926	3/1993	Hubert	.....	D6/374
D. 335,972	6/1993	Lamalle	.....	D6/379
D. 338,347	8/1993	Hubert	.....	D6/370

[75] Inventor: **Ralph VanSkiver**, Arlington, Tex.

[73] Assignee: **Doskocil Manufacturing Company, Inc.**, Arlington, Tex.

[\*\*] Term: **14 Years**

[21] Appl. No.: **27,010**

[22] Filed: **Aug. 11, 1994**

[52] U.S. Cl. .... **D6/370**; D6/379

[58] Field of Search ..... D6/334, 370, 374, D6/375, 379, 380, 500, 501, 502; 297/239, 411.42, 445, 446, DIG. 2

### OTHER PUBLICATIONS

Evans catalog, p. 6, Rubbermaid chair at bottom left.

*Primary Examiner*—Alan P. Douglas  
*Assistant Examiner*—Gary D. Watson  
*Attorney, Agent, or Firm*—Andrew J. Dillon

### [57] CLAIM

The ornamental design for a chair, as shown and described.

### DESCRIPTION

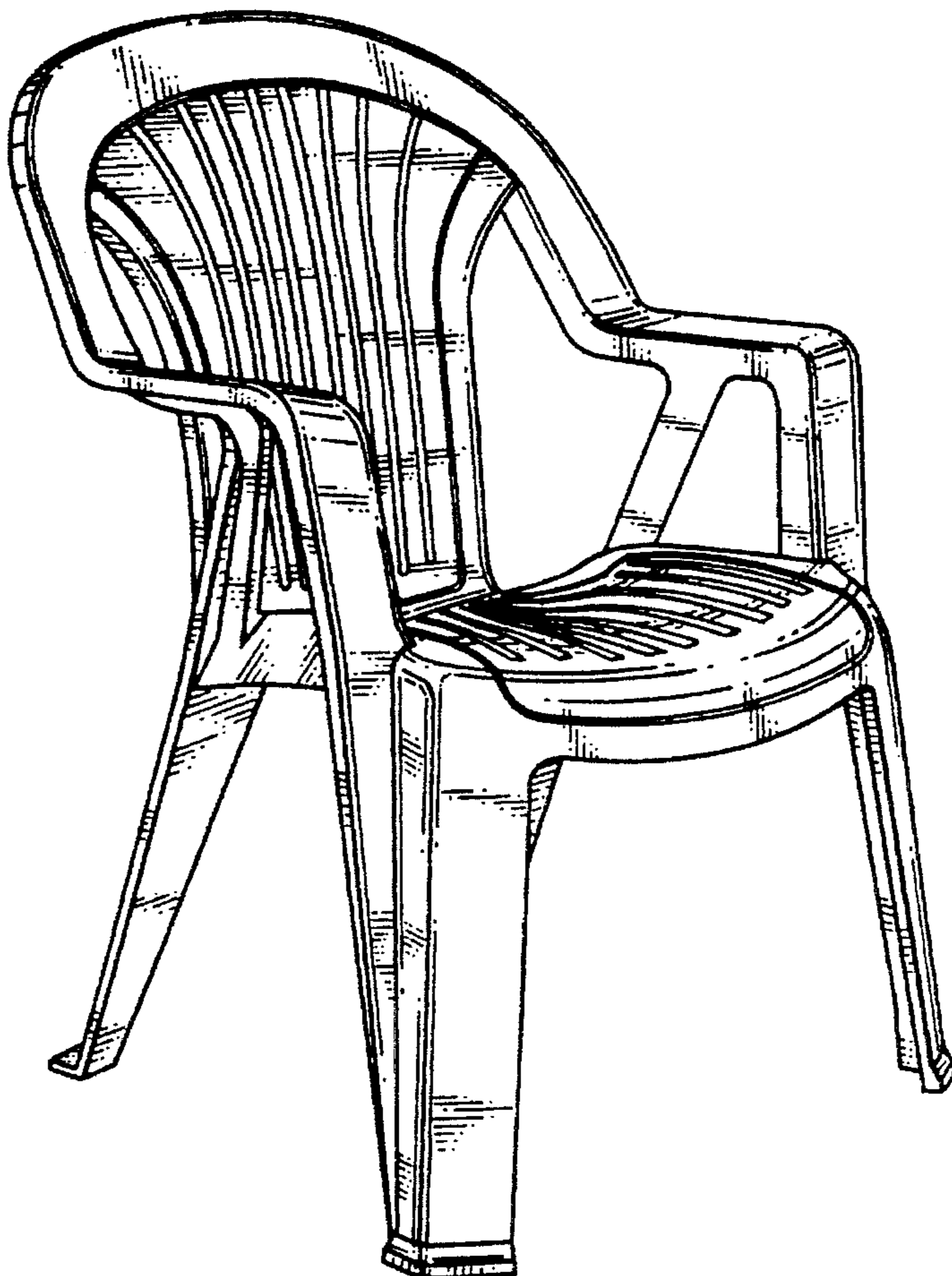
FIG. 1 is a perspective view of the chair of the present invention;  
FIG. 2 is a top view of the chair of the present invention;  
FIG. 3 is a front view of the chair of the present invention;  
FIG. 4 is a side view of the chair, the opposite side being a mirror image thereof of the present invention;  
FIG. 5 is a back view of the chair of the present invention;  
and,  
FIG. 6 is a bottom view of the chair of the present invention.

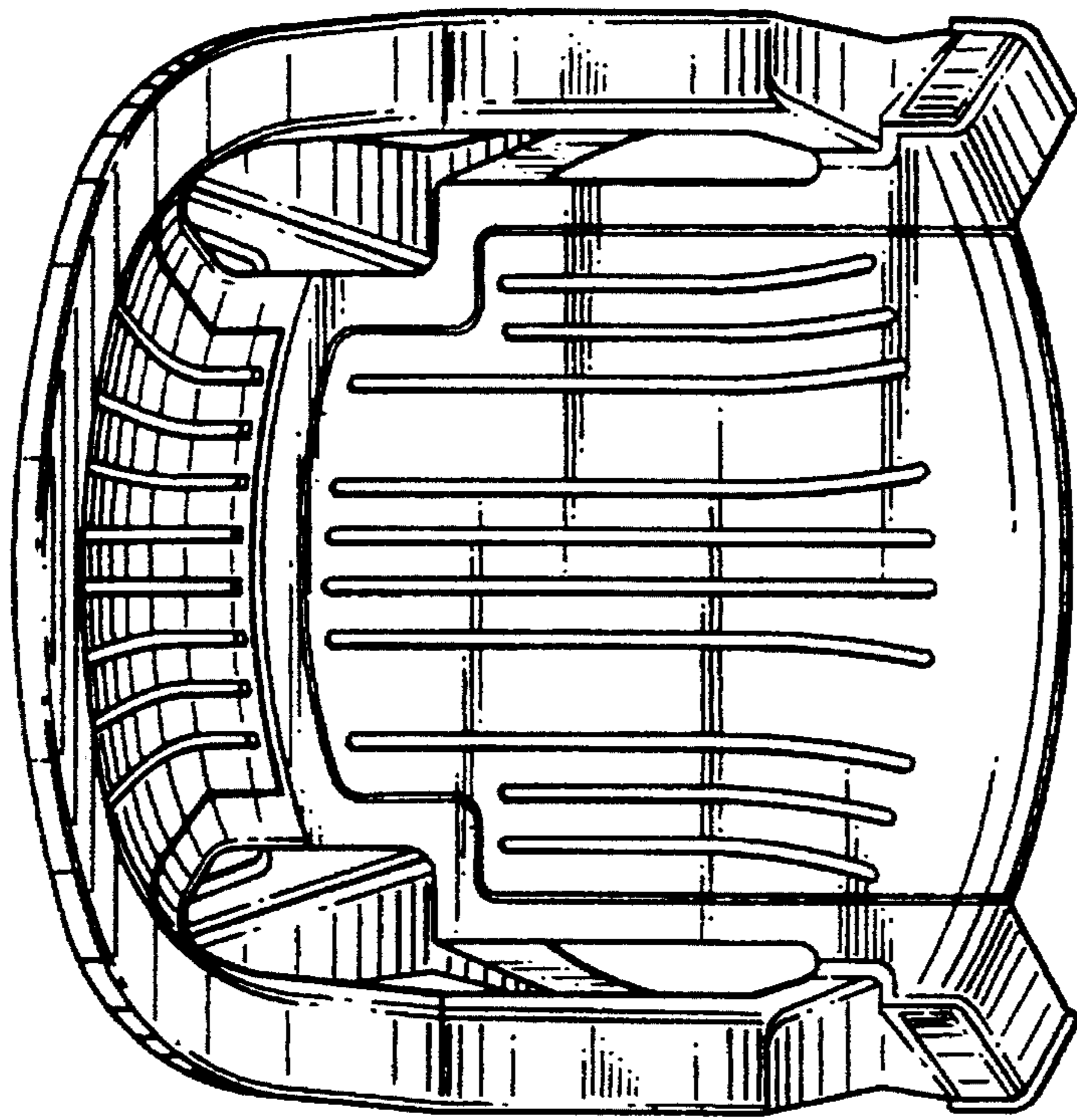
### [56] References Cited

#### U.S. PATENT DOCUMENTS

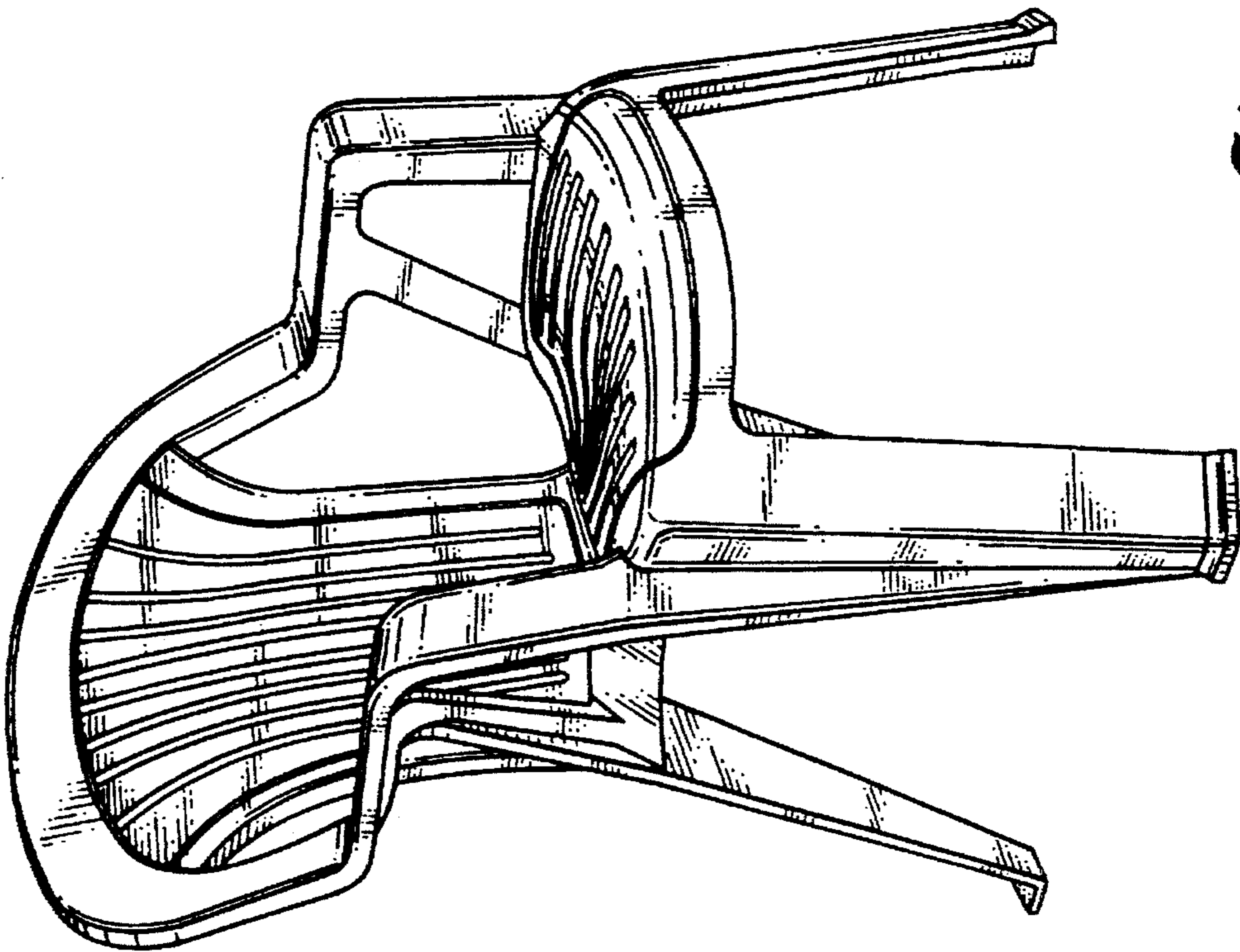
D. 234,240	2/1975	Noda et al.	.....	D6/379
D. 274,770	7/1984	Massonnet	.....	D6/375
D. 303,736	10/1989	Grosfillex	.....	D6/379
D. 317,088	5/1991	Grosfillex	.....	D6/379
D. 328,827	8/1992	Grosfillex	.....	D6/370
D. 329,339	9/1992	Grosfillex	.....	D6/370
D. 330,291	10/1992	Grosfillex	.....	D6/370
D. 331,323	12/1992	Grosfillex	.....	D6/370

**1 Claim, 3 Drawing Sheets**

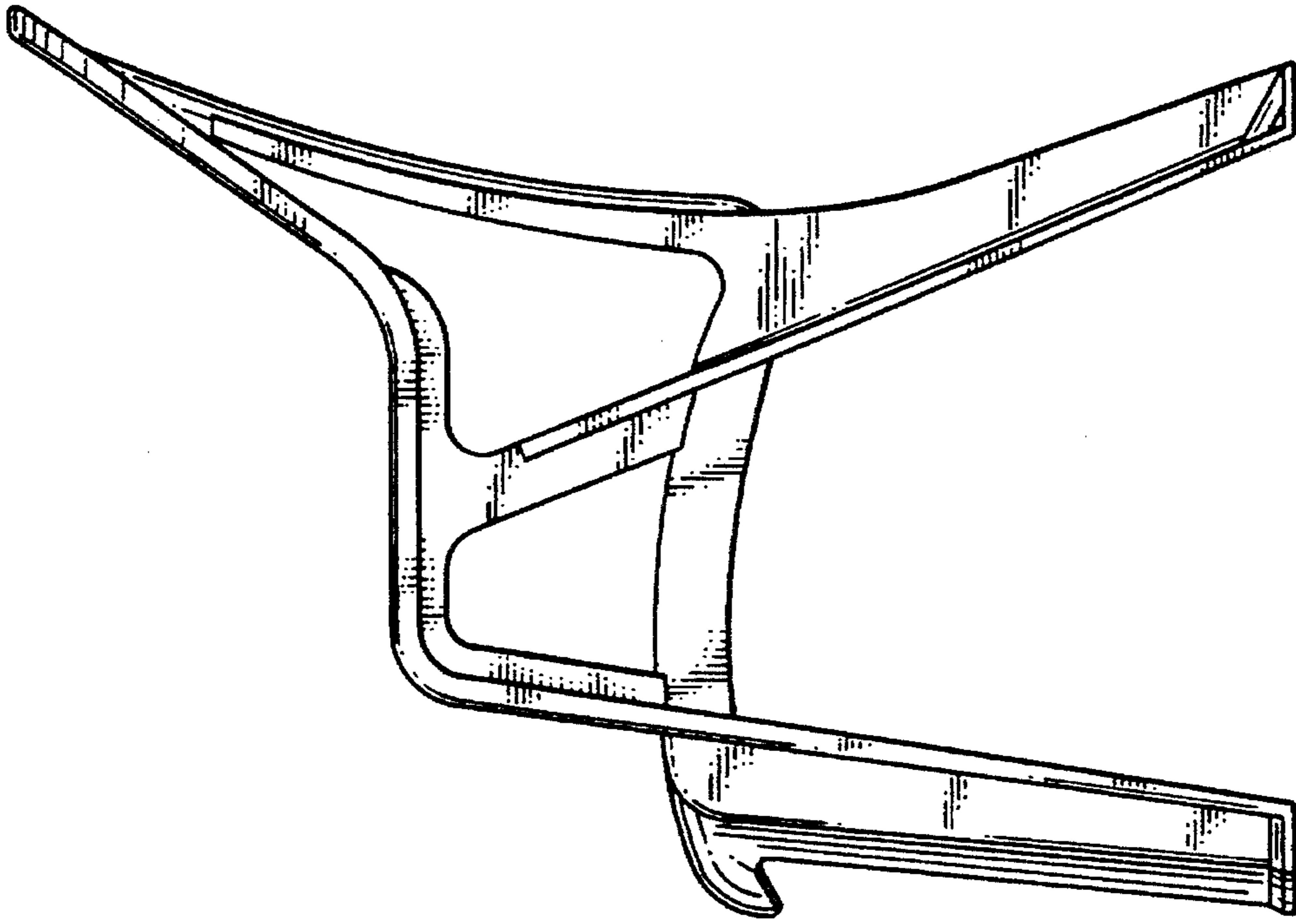




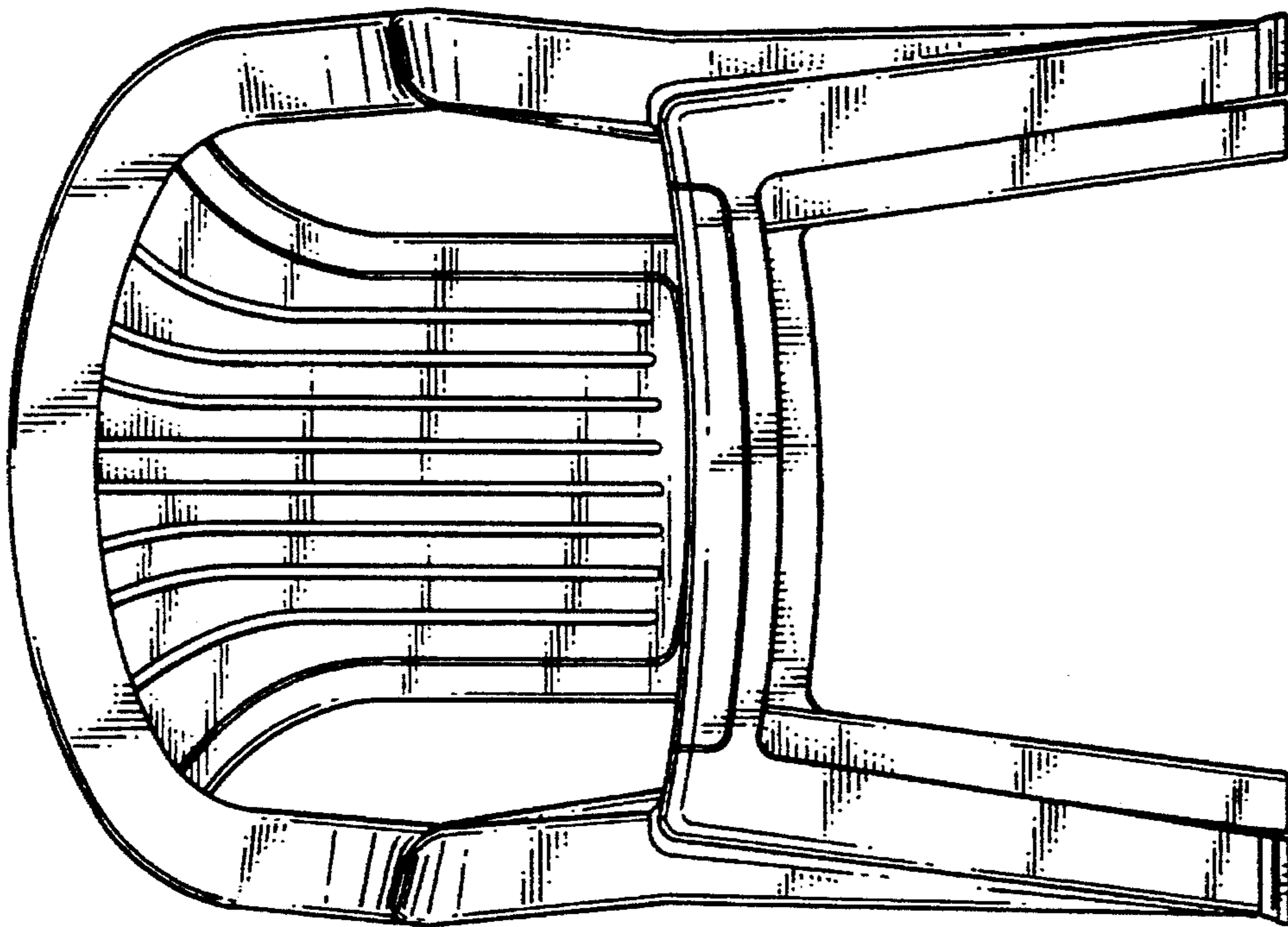
*Fig. 2*



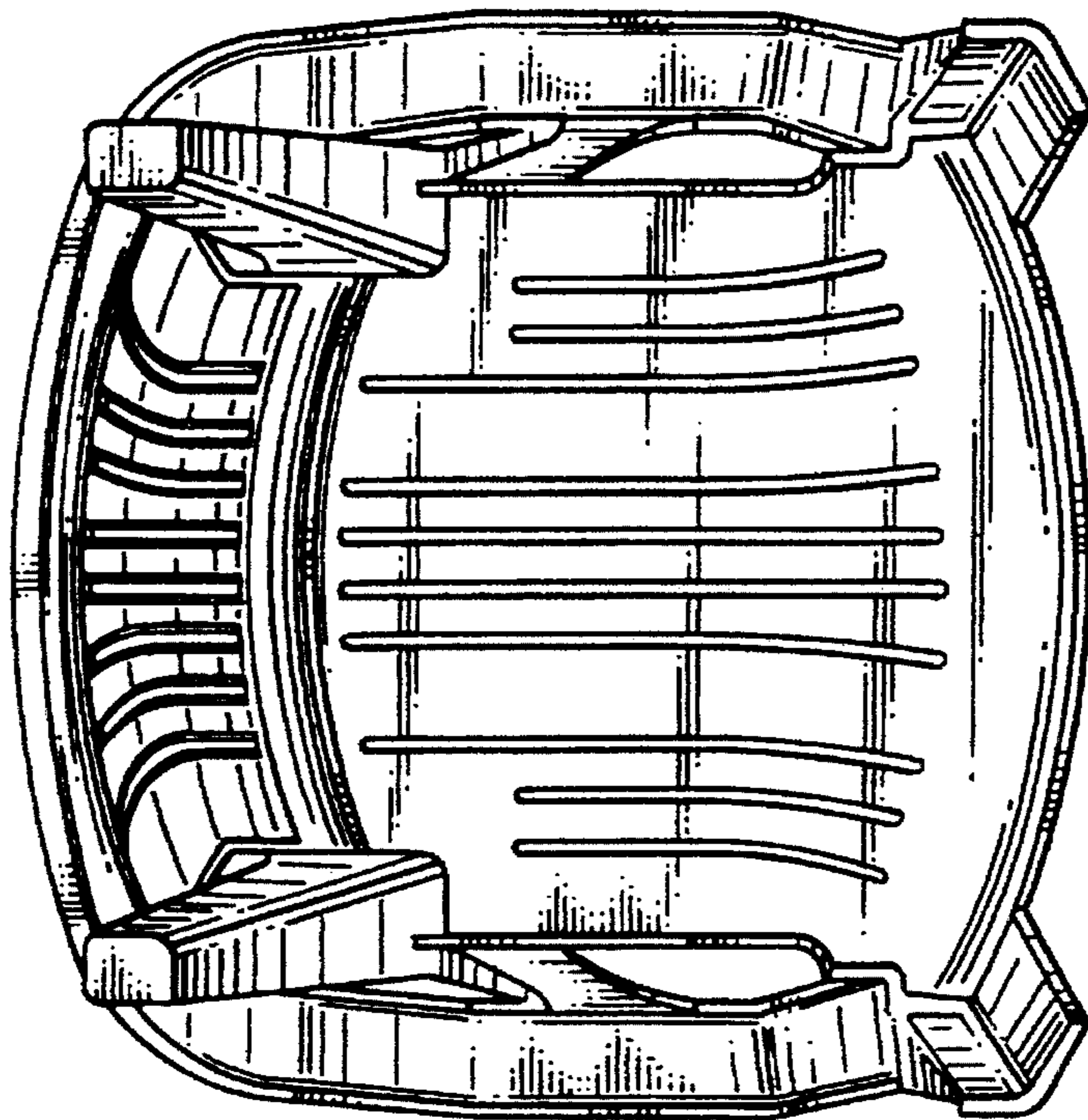
*Fig. 1*



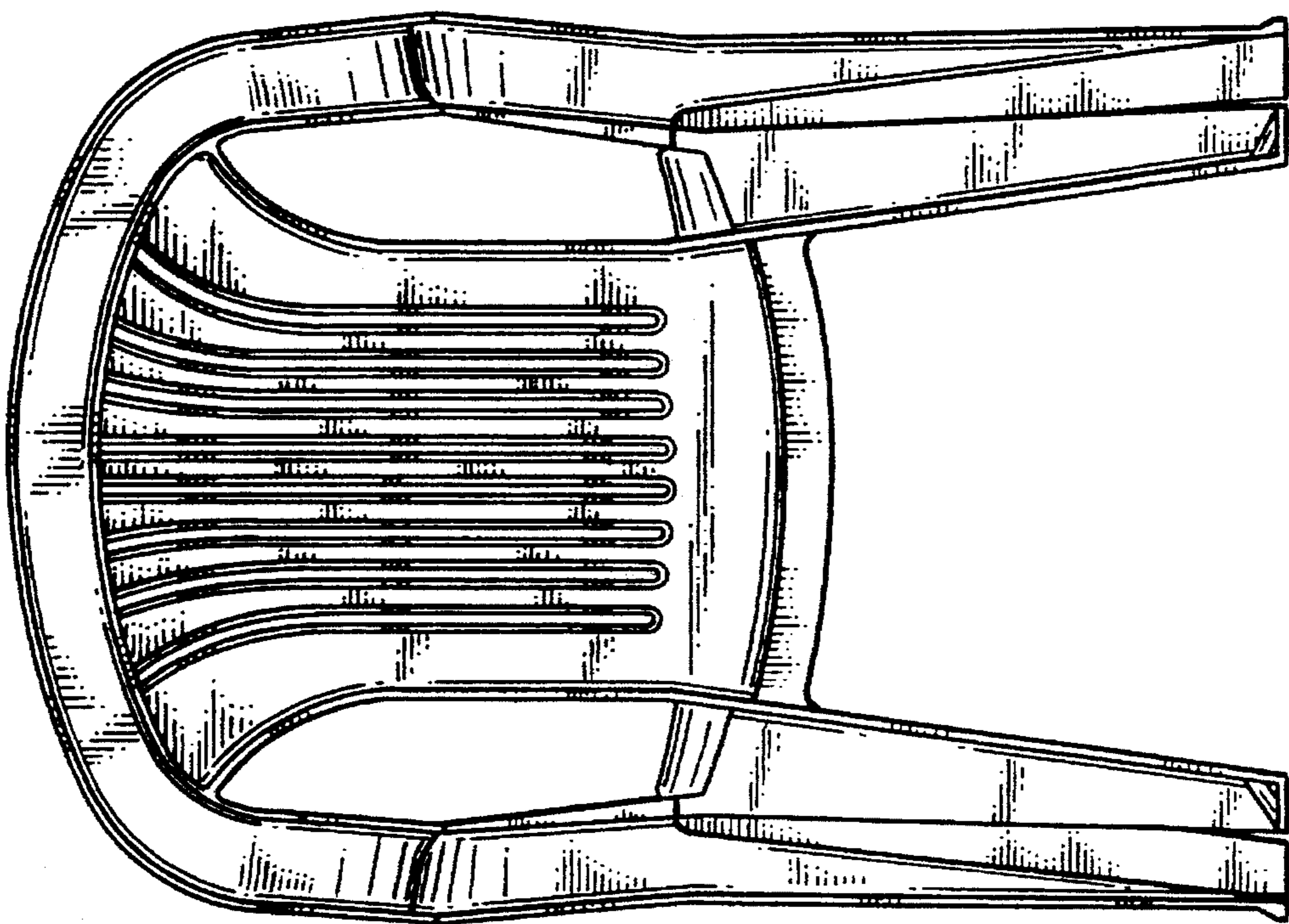
*Fig. 4*



*Fig. 3*



*Fig. 6*



*Fig. 5*