



US00D362555S

United States Patent [19]

[11] Patent Number: **Des. 362,555**

Andrews

[45] Date of Patent: ****Sep. 26, 1995**

[54] **MISTING LOUNGE CHAIR**

4,961,535 10/1990 Skibik .
5,000,384 3/1991 Arnold .
5,027,455 7/1991 Commisso et al .

[76] Inventor: **Dennis W. Andrews**, Blake Ranch R.V.,
HC 30 Box 100, Kingman, Ariz. 86401

Primary Examiner—Alan P. Douglas
Assistant Examiner—Gary D. Watson

[**] Term: **14 Years**

[57] **CLAIM**

[21] Appl. No.: **23,345**

The ornamental design for a misting lounge chair, as shown and described.

[22] Filed: **May 23, 1994**

[52] U.S. Cl. **D6/361; D6/491**

[58] Field of Search D6/334, 335, 336,
D6/360, 361, 374, 375, 491, 500, 501,
502; 297/180.1, 180.15

DESCRIPTION

FIG. 1 is a front elevational view of the misting lounge chair showing my new design;
FIG. 2 is a rear elevational view thereof;
FIG. 3 is a left side elevational view thereof;
FIG. 4 is a right side elevational view thereof;
FIG. 5 is a top plan view thereof; and,
FIG. 6 is a bottom plan view thereof.

[56] **References Cited**

U.S. PATENT DOCUMENTS

D. 297,991 10/1988 Boyle, Jr. D6/491
D. 309,836 8/1990 Meredith et al. D6/361
4,548,357 10/1985 Schmidt .
4,765,542 8/1988 Carlson .

1 Claim, 3 Drawing Sheets

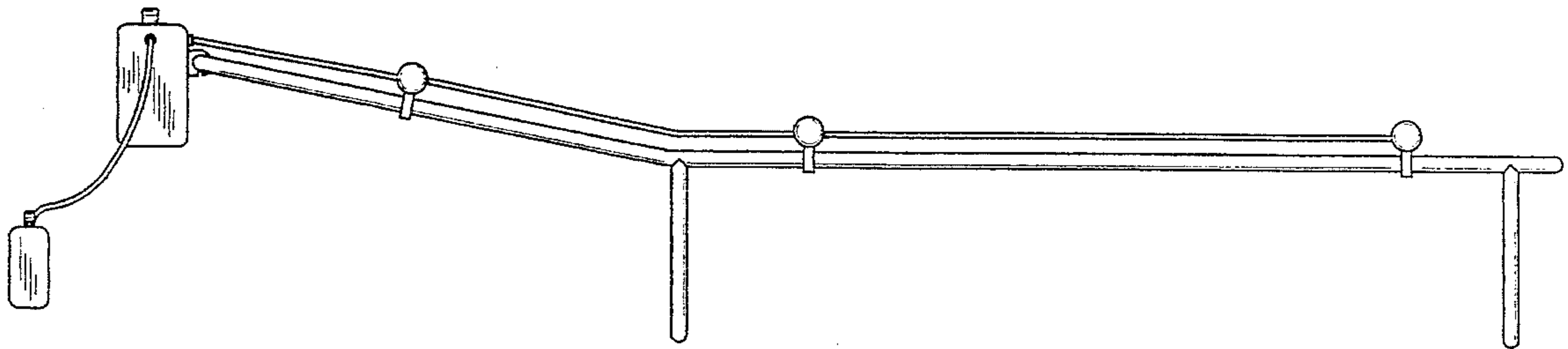


FIG. 1

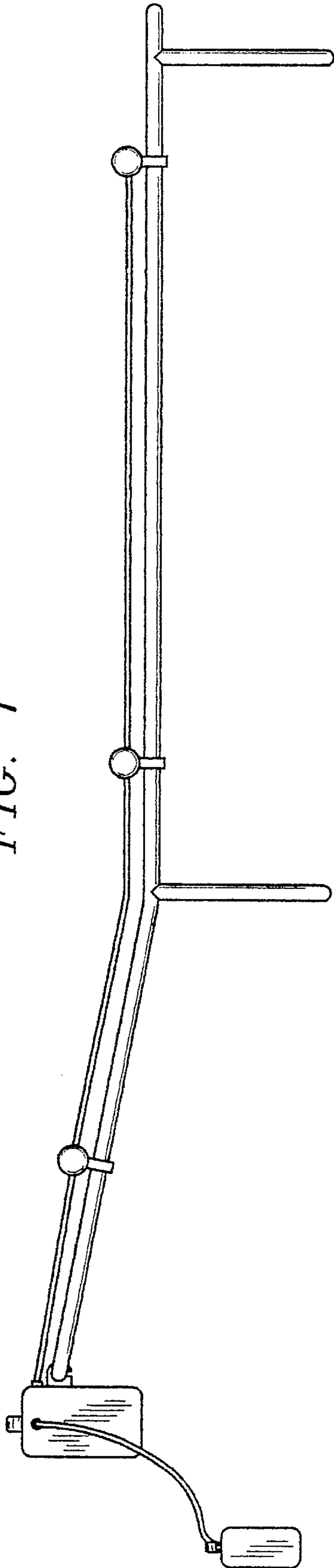


FIG. 2

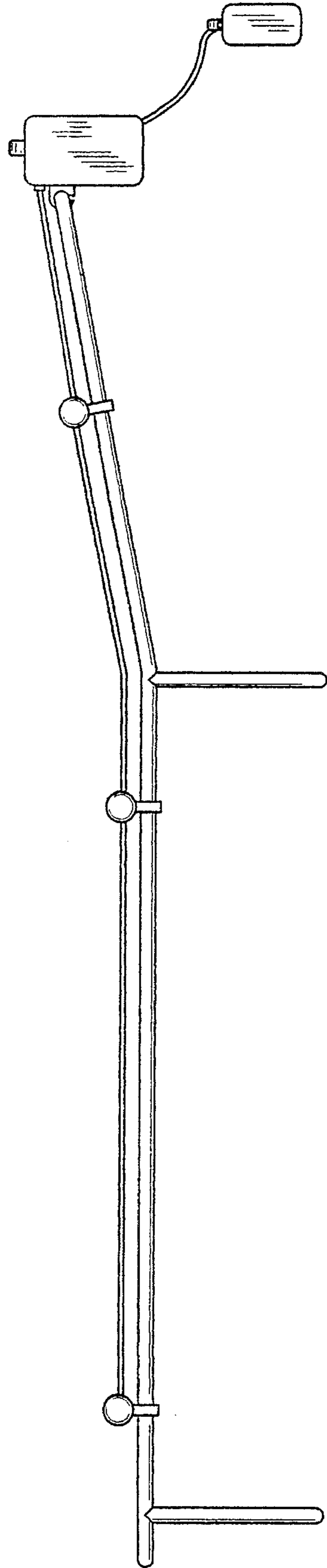


FIG. 3

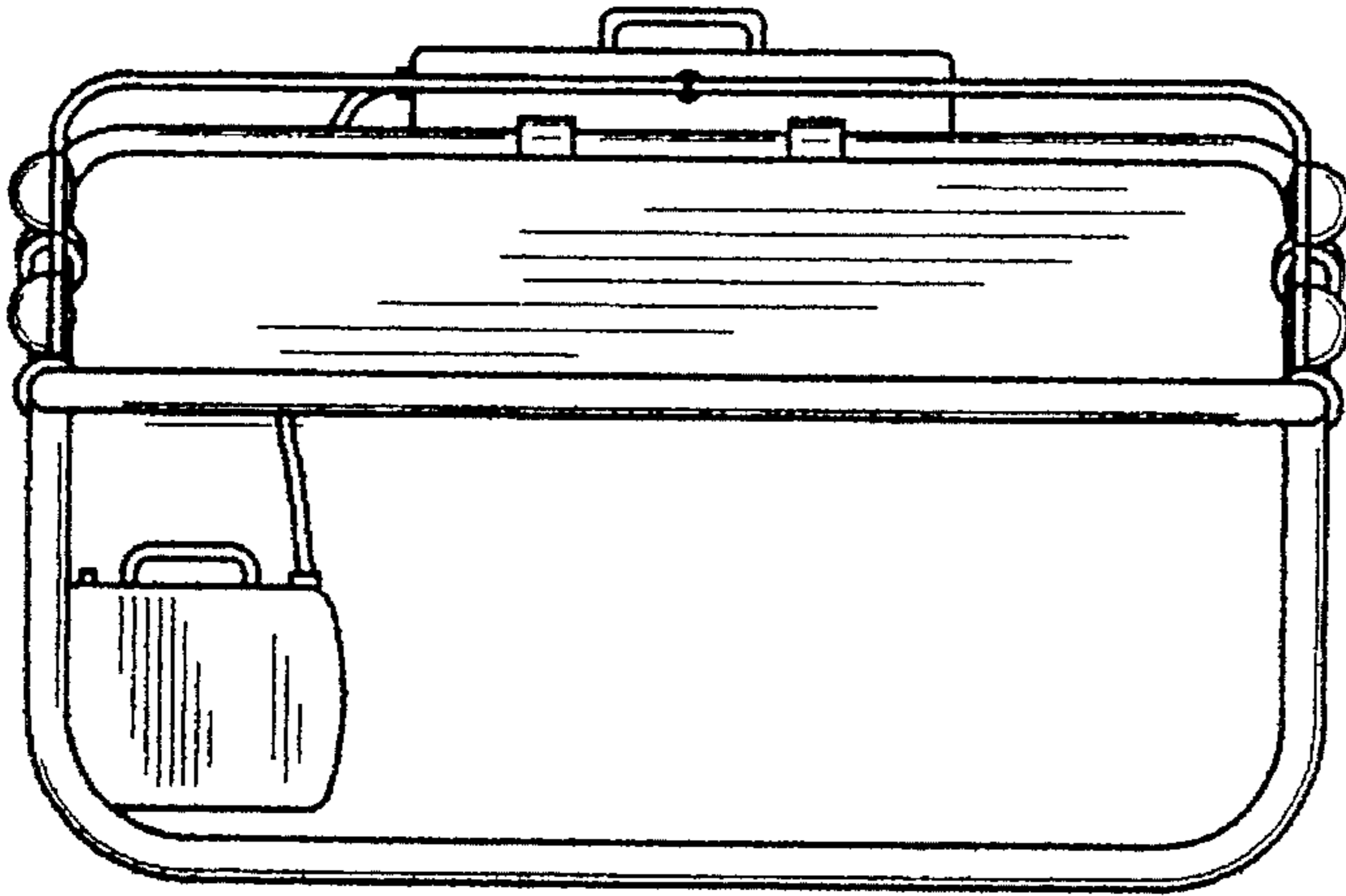


FIG. 4

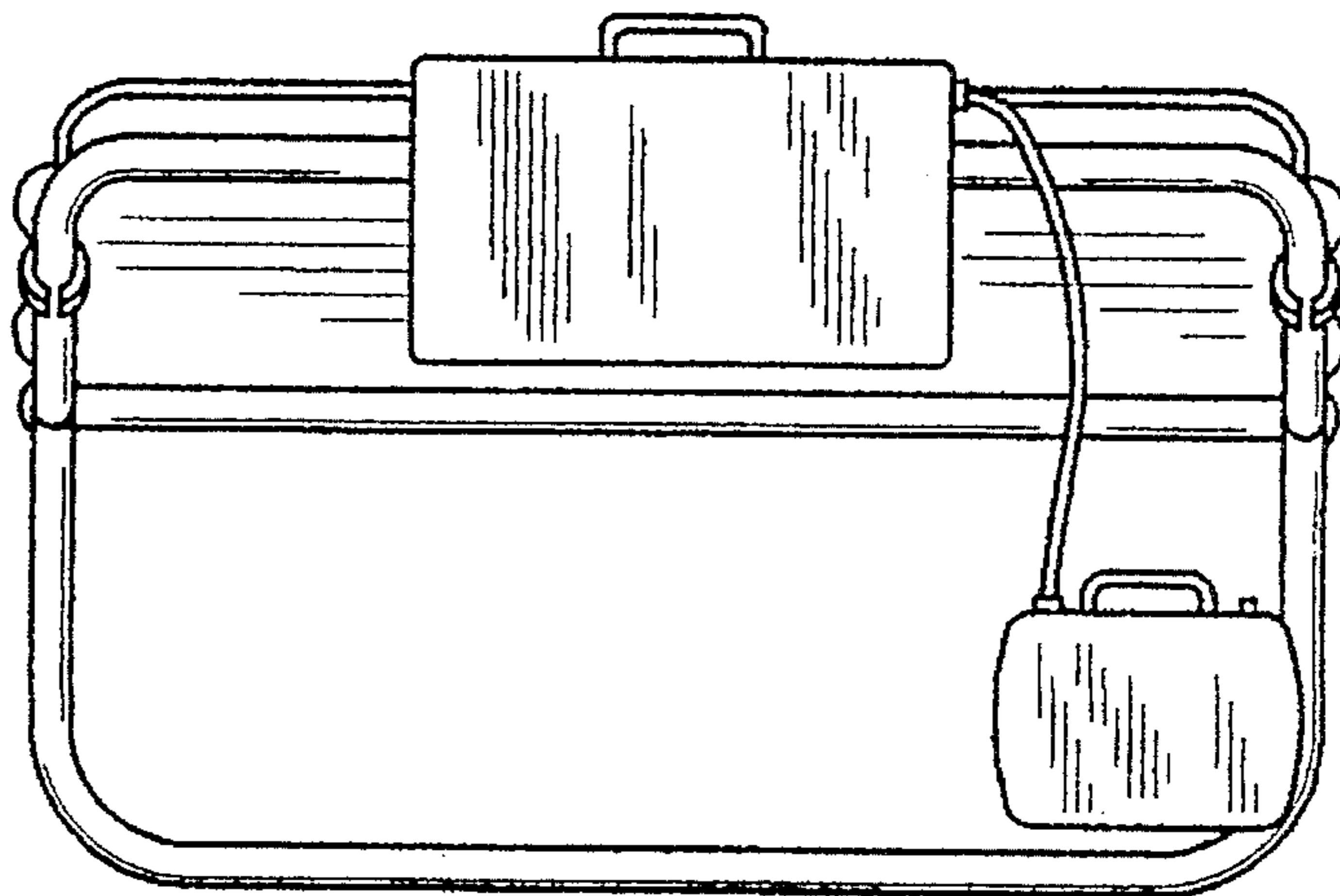


FIG. 5

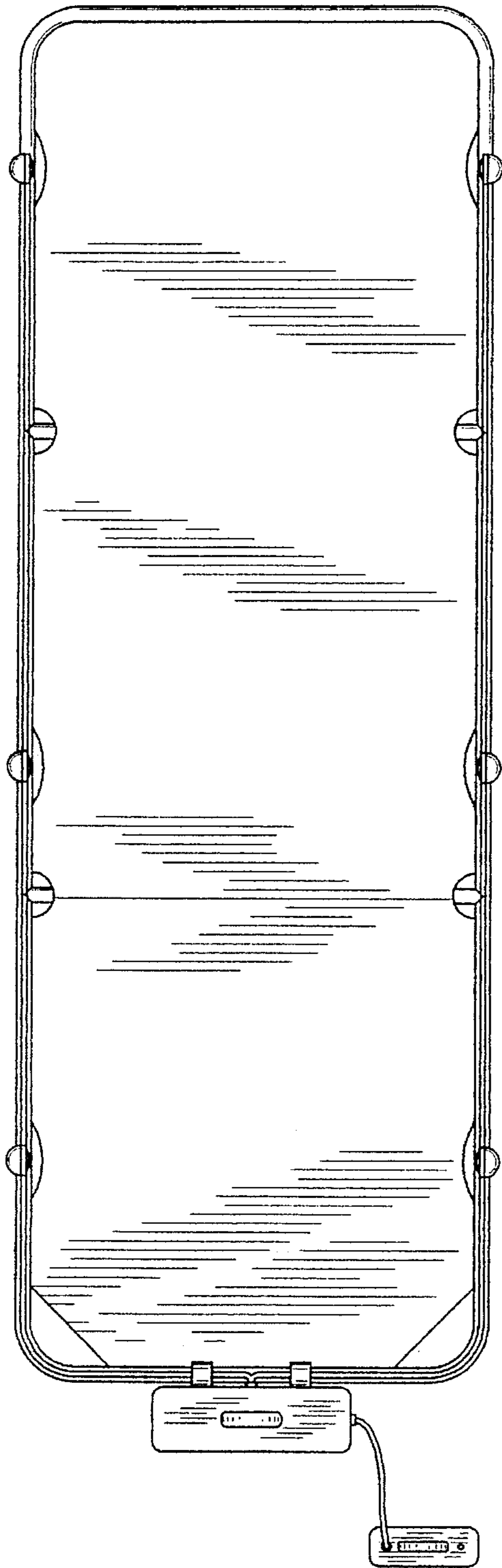


FIG. 6

