



US00D362551S

United States Patent [19]

[11] Patent Number: **Des. 362,551**

Purdy et al.

[45] Date of Patent: ****Sep. 26, 1995**

[54] **SCRUB BRUSH HANDLE**

4,654,921 4/1987 Dinner 15/143.1 X

[75] Inventors: **Thomas G. Purdy; Richard K. Bukovitz**, both of Orrville, Ohio

FOREIGN PATENT DOCUMENTS

9399 1/1907 United Kingdom 15/143.1

[73] Assignee: **The Wooster Brush Company**, Wooster, Ohio

Primary Examiner—A. Hugo Word

Assistant Examiner—Lavone D. Tabor

Attorney, Agent, or Firm—Renner, Otto, Boisselle & Sklar

[**] Term: **14 Years**

[57] CLAIM

[21] Appl. No.: **10,210**

The ornamental design for a scrub brush handle, as shown and described.

[22] Filed: **Jul. 1, 1993**

[52] U.S. Cl. **D4/138; D4/129**

DESCRIPTION

[58] **Field of Search** D4/127, 129-130, D4/132-134, 138; D8/307, DIG. 4, DIG. 7, DIG. 8; 15/143.1, 159.1, 160, 186-188

FIG. 1 is a side elevation view of one side of the scrub brush handle showing our new design, the opposite side being a mirror image;

FIG. 2 is a top plan view thereof;

FIG. 3 is a bottom plan view thereof;

FIG. 4 is an end elevation view from the left end of FIG. 1; and,

FIG. 5 is an end elevation view from the right end of FIG. 1.

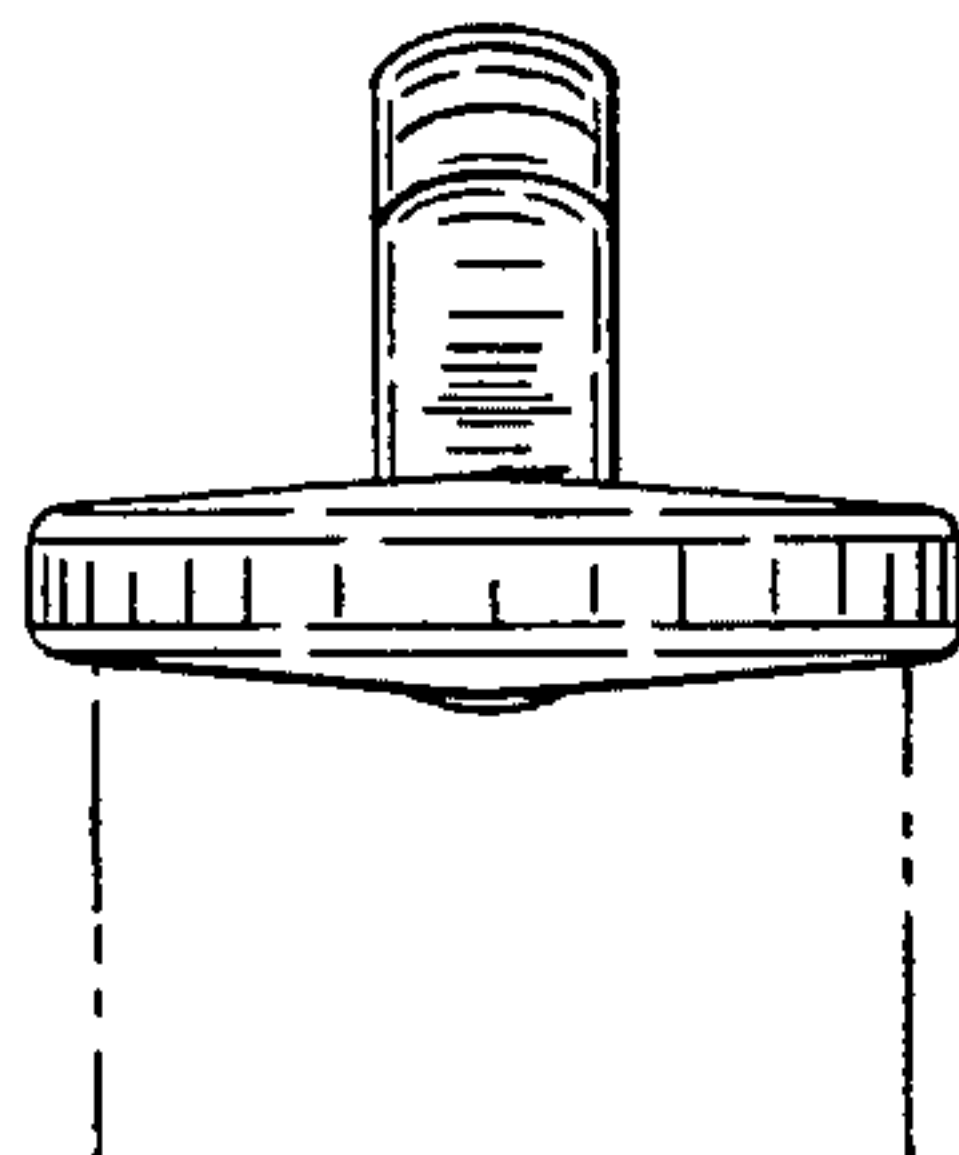
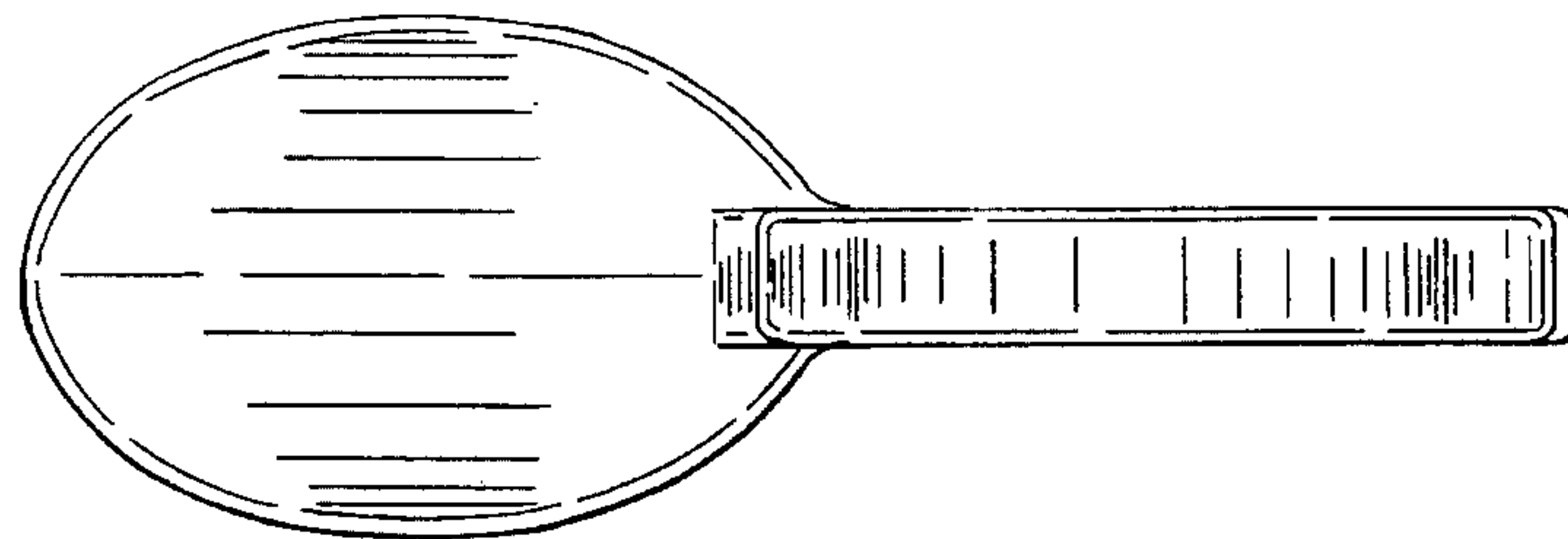
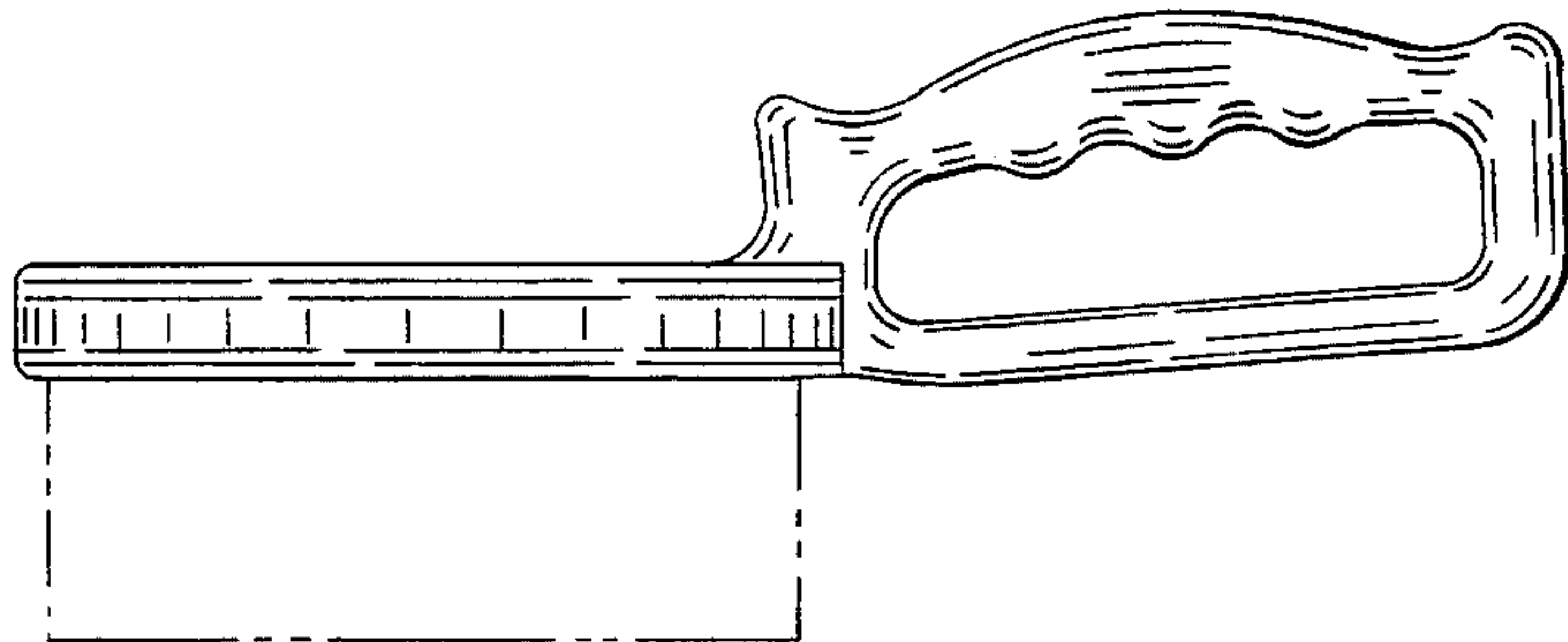
The broken line showing of brush bristles in FIGS. 1, 4 and 5 is for illustrative purposes only and forms no part of the claimed design.

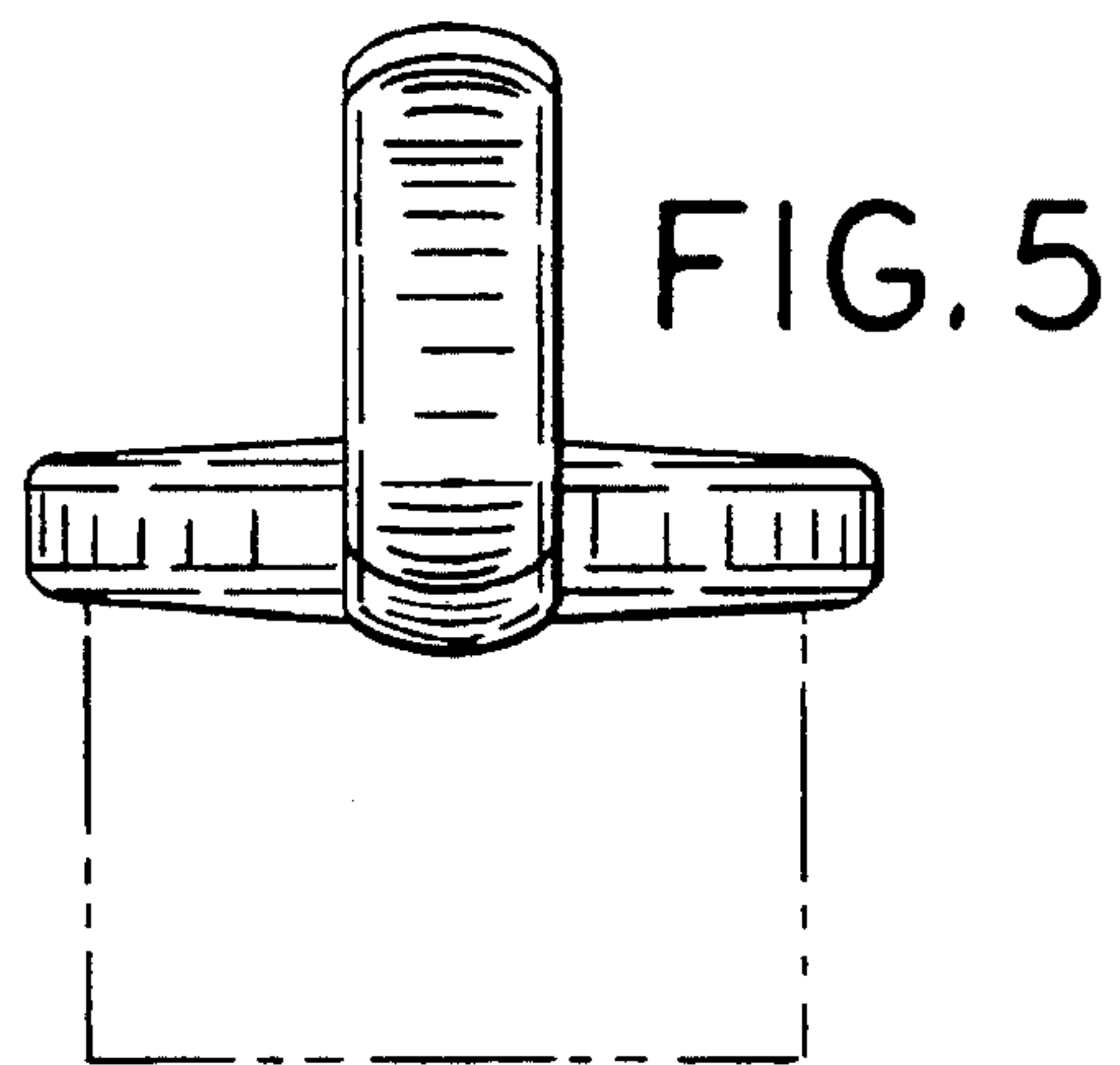
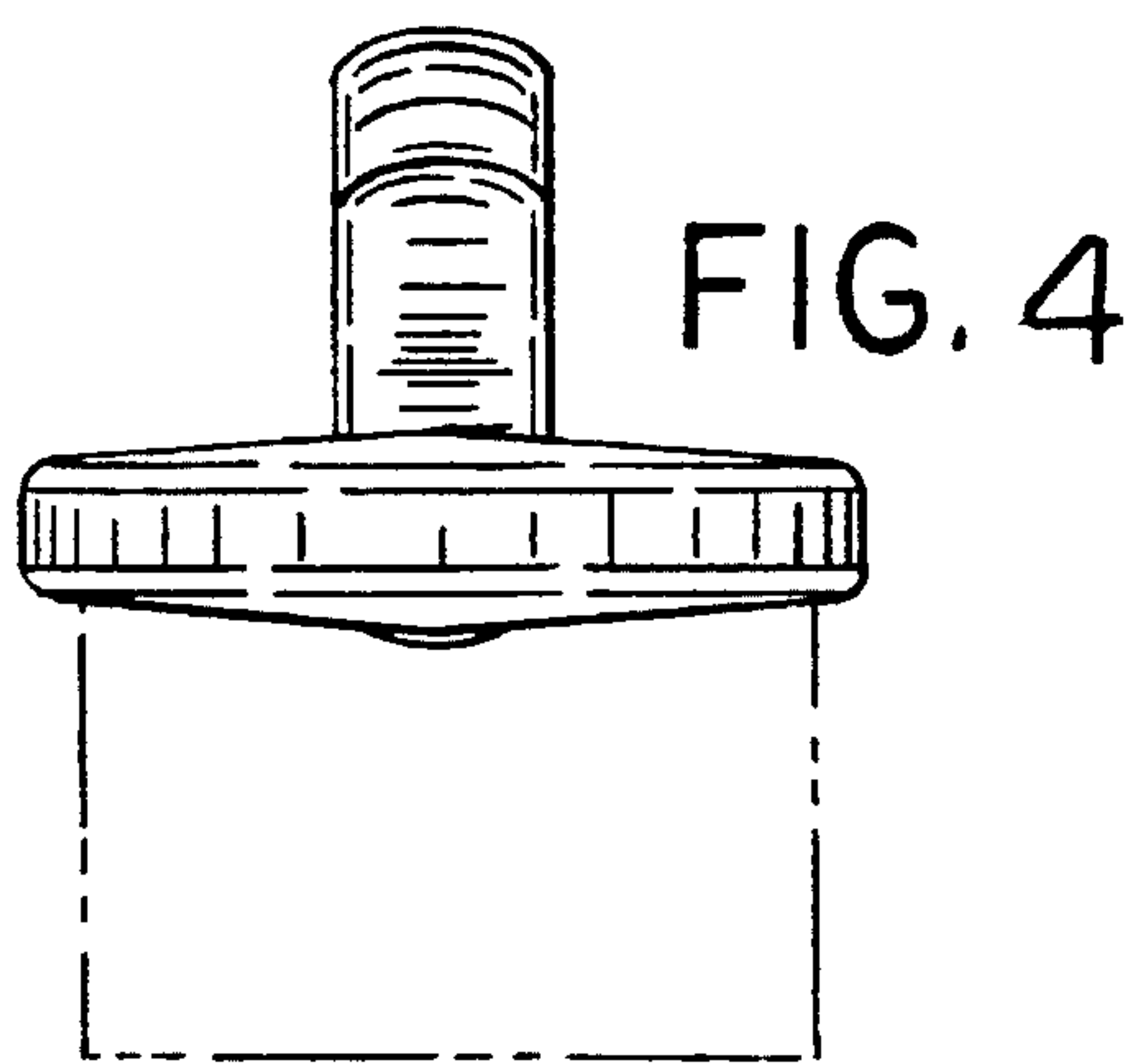
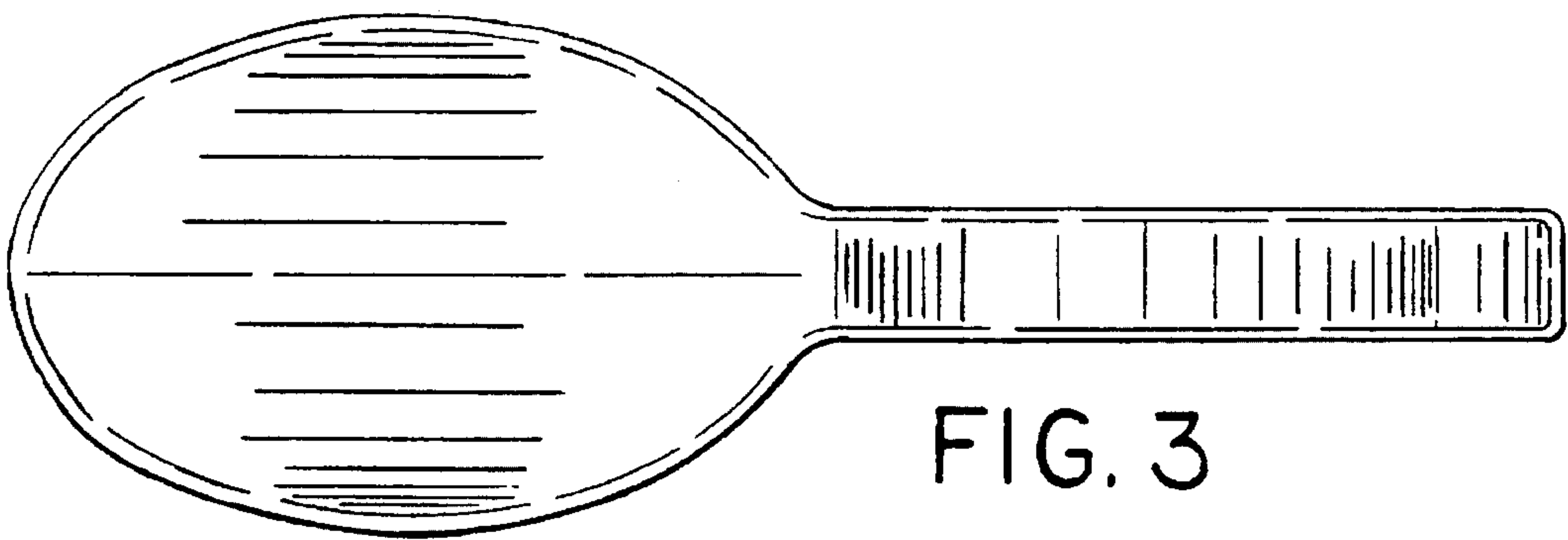
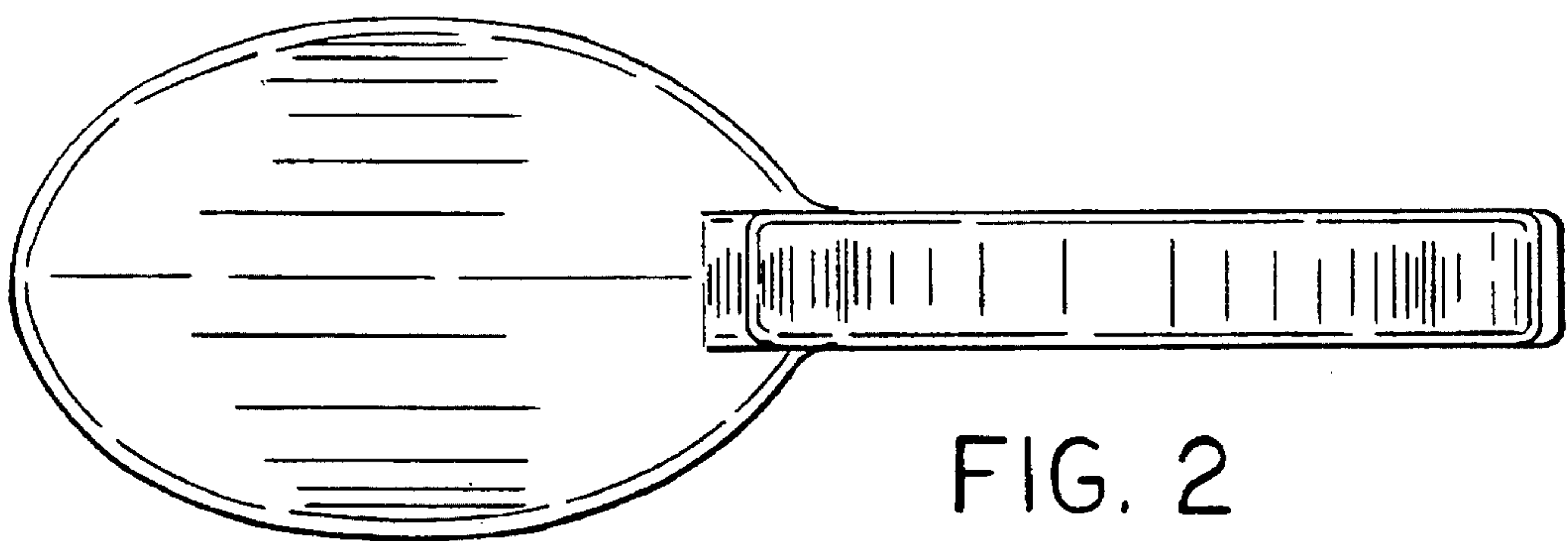
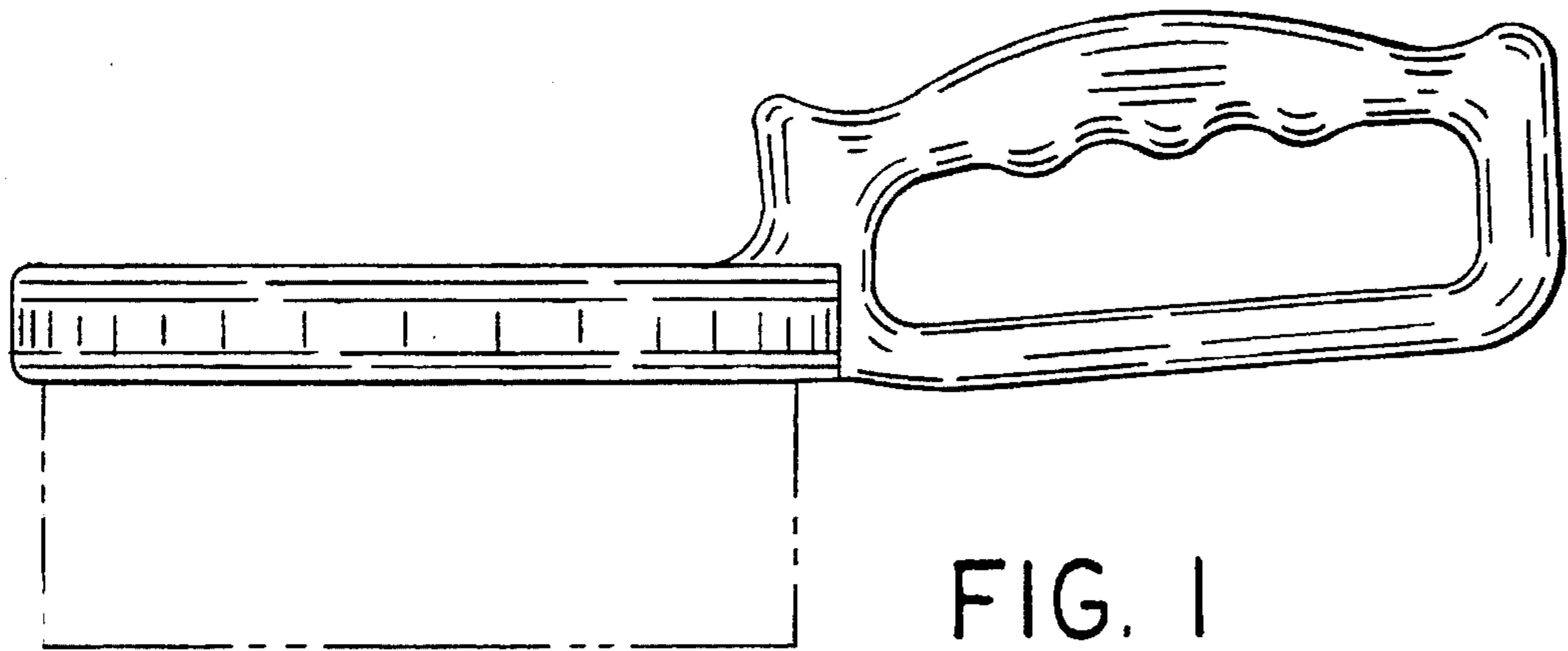
[56] References Cited

U.S. PATENT DOCUMENTS

D. 16,786	7/1886	Currier	D8/307	X
D. 167,951	10/1952	Porter	D4/134	
D. 178,578	8/1956	Pelzmann	D4/118	
D. 240,473	7/1976	Parker	D4/129	
D. 266,458	10/1982	Gonsalves	D4/129	
D. 282,604	2/1986	Whitaker	D4/118	
D. 299,386	1/1989	Jacobs	D4/104	
D. 305,963	2/1990	Brinker et al.	D4/118	
3,199,139	8/1965	Vallis	15/114	X

1 Claim, 1 Drawing Sheet





UNITED STATES PATENT AND TRADEMARK OFFICE
CERTIFICATE OF CORRECTION

PATENT NO. : Des. 362,551

DATED : September 26, 1995

INVENTOR(S) : Thomas G. Purdy, Richard K. Bukovitz,
Scott E. Rutledge and William P. Camp, Jr.

It is certified that error appears in the above-identified patent and that said Letters Patent is hereby corrected as shown below:

On the title page, item:

[75] Inventors: second line, after "Ohio" insert
--Scott E. Rutledge, Wooster, Ohio; William P. Camp, Jr., Millersburg,
Ohio--.

Signed and Sealed this

Twenty-seventh Day of February, 1996

Attest:



BRUCE LEHMAN

Attesting Officer

Commissioner of Patents and Trademarks