



US00D362547S

United States Patent [19]

[11] Patent Number: **Des. 362,547**

Dell et al.

[45] Date of Patent: ****Sep. 26, 1995**

[54] **CARRYING CASE**

D. 314,146	1/1991	Scholz	D9/420
D. 332,870	2/1993	Fink et al.	D3/281
4,819,798	4/1989	Hasuike	206/387 X

[75] Inventors: **Hermann Dell**, Fürstfeldbruck; **Volker Herrmann**, Taufkirchen; **Fred Kern**, Inning; **Dietmar Müller**, Fürstfeldbruck; **Roland Schirmacher**, Gräfelfing, all of Germany

Primary Examiner—Ted Shooman
Assistant Examiner—C. Tuttle
Attorney, Agent, or Firm—Notaro & Michalos

[73] Assignee: **Plaston AG**, Widnau, Switzerland

[57] **CLAIM**

[**] Term: **14 Years**

The ornamental design for a carrying case, as shown and described.

[21] Appl. No.: **138**

DESCRIPTION

[22] Filed: **Oct. 6, 1992**

FIG. 1 is a front, top, right perspective view of a first embodiment of a carrying case showing our new design; FIG. 2 is a rear, top, left perspective view thereof; FIG. 3 is a front elevational view thereof; FIG. 4 is a left side elevational view thereof; FIG. 5 is a top plan view thereof; FIG. 6 is a bottom plan view thereof; FIG. 7 is a rear elevational view thereof; FIG. 8 is a right side elevational view thereof; FIG. 9 is a front, top and rear perspective view of a second embodiment, wherein the modification resides in the lack of the pattern of bumps; and, FIG. 10 is a rear, top and left perspective view thereof, the broken line showing a second case linked thereto herein and in FIG. 9, being for illustrative purposes only and forming no part of the claimed design.

[30] **Foreign Application Priority Data**

Apr. 10, 1992 [XH] Hague Agreement DM/022592

[52] U.S. Cl. **D3/282**

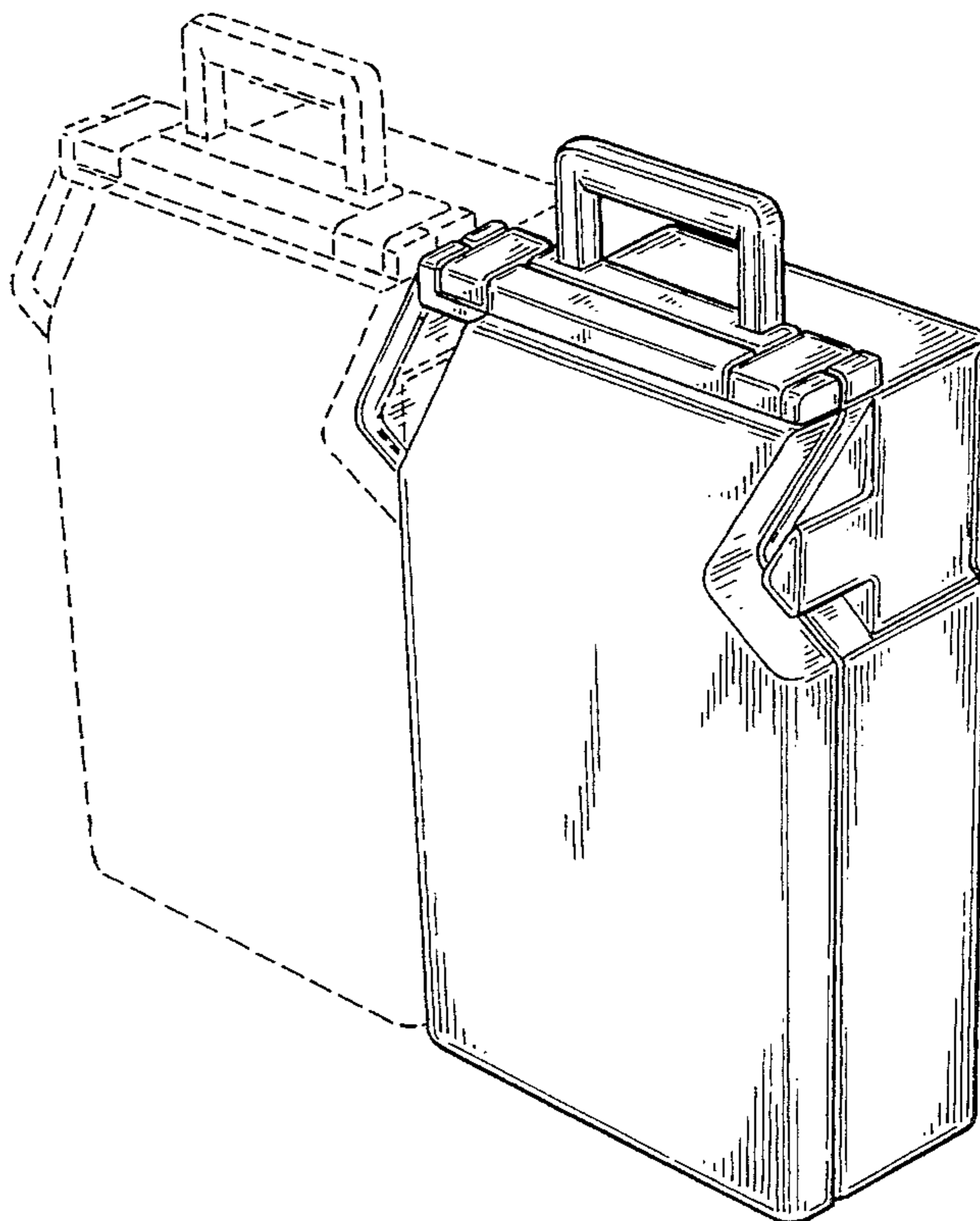
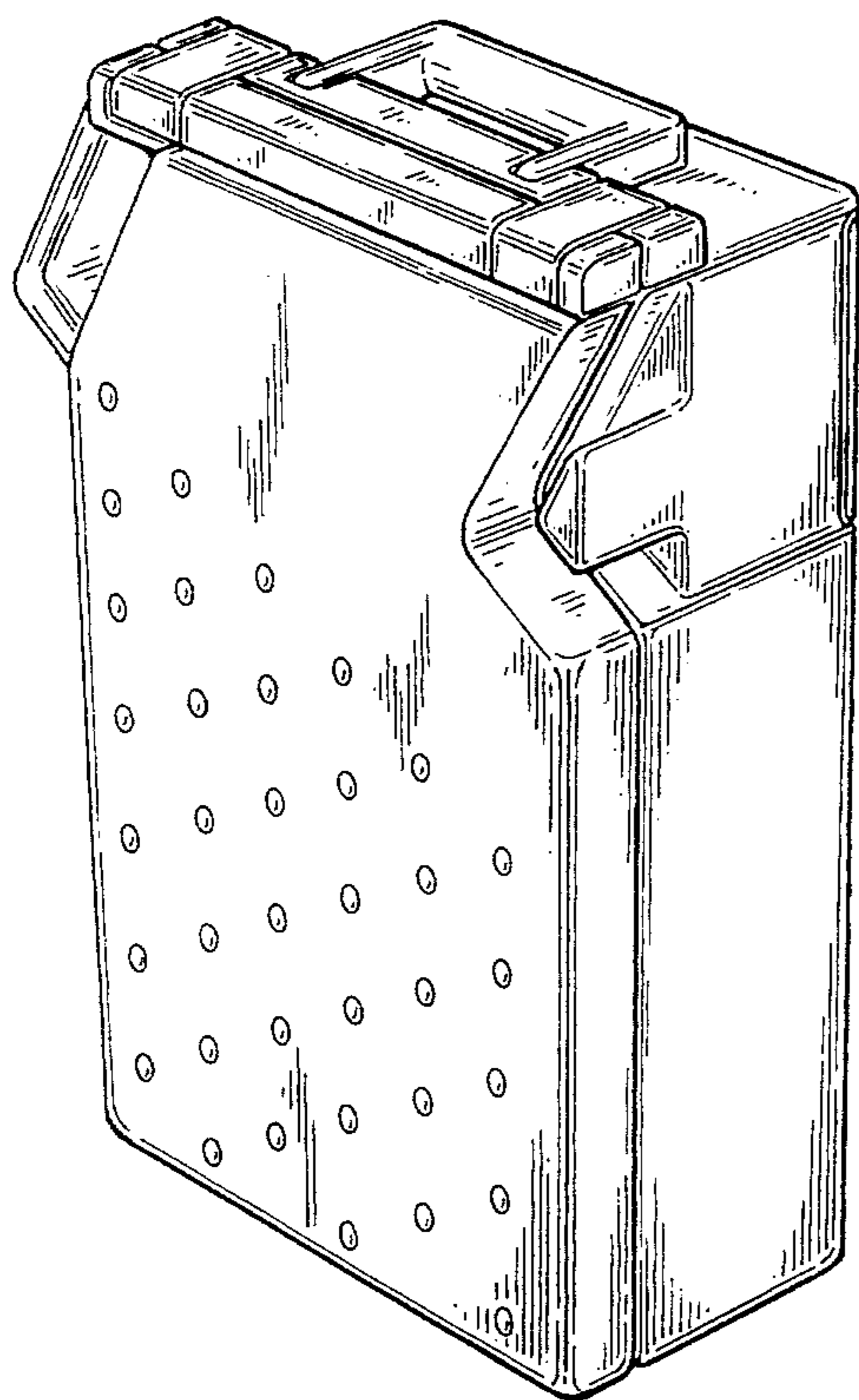
[58] Field of Search D3/76, 78, 273, D3/274, 276, 279, 281, 282, 294; 206/425, 504, 509, 512, 387; 220/23.4, 23.6; D9/341

[56] **References Cited**

U.S. PATENT DOCUMENTS

D. 29,468	10/1898	Starkey	D9/528 X
D. 248,509	7/1978	Tait	D3/282
D. 296,386	6/1988	McConnell, III et al.	D3/282 X
D. 309,832	8/1990	Hung	D3/282

1 Claim, 7 Drawing Sheets



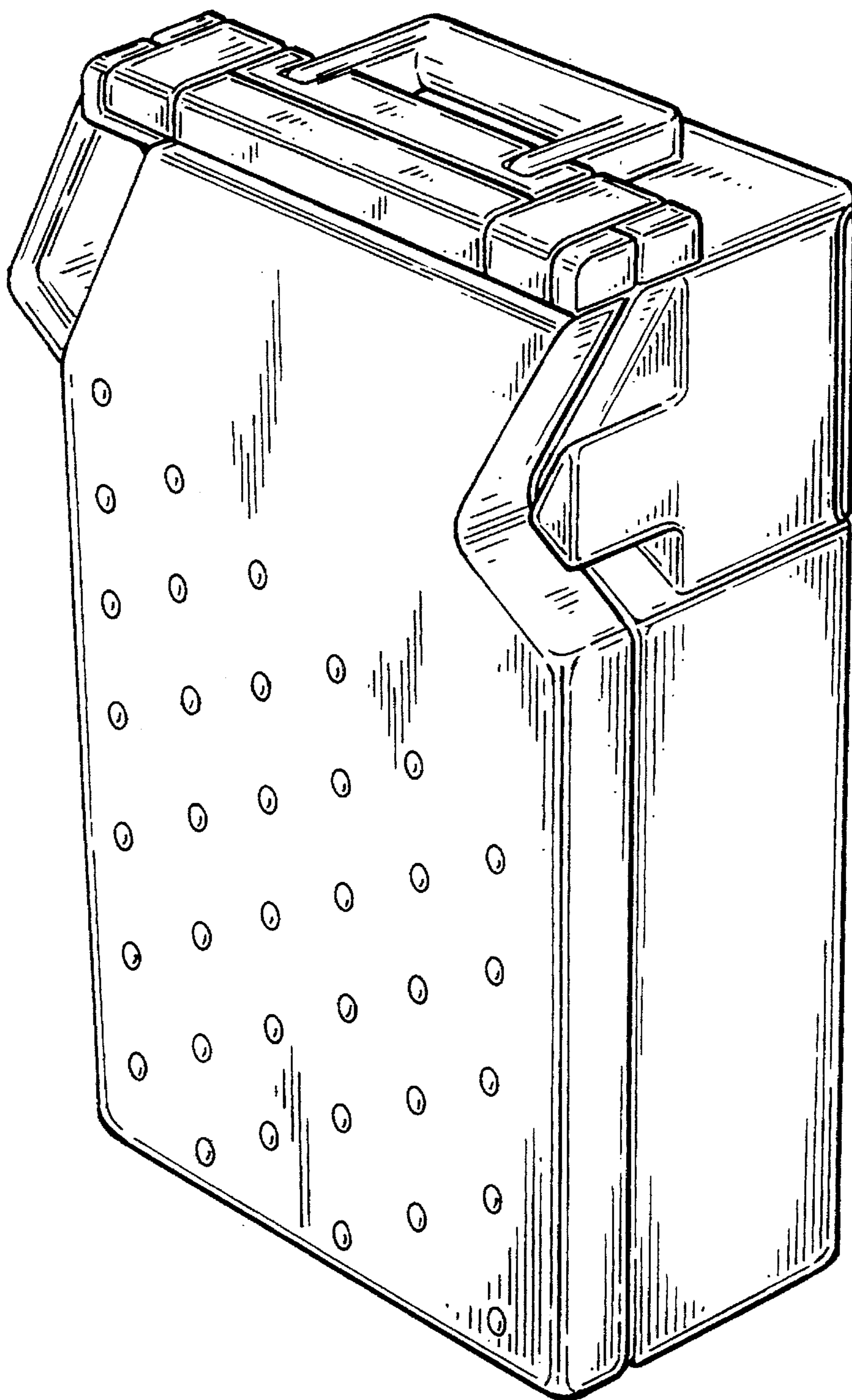


FIG. 1

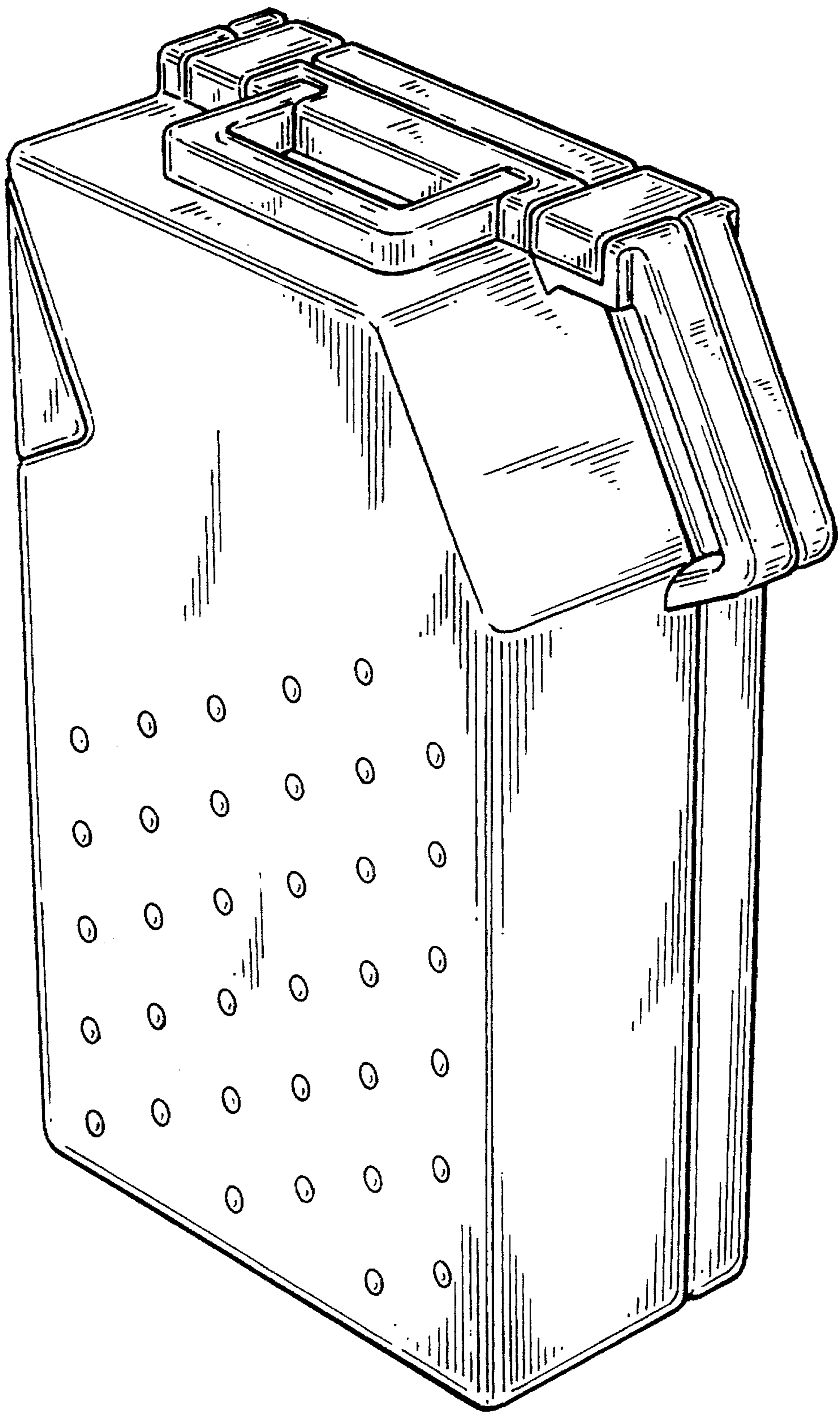


FIG. 2

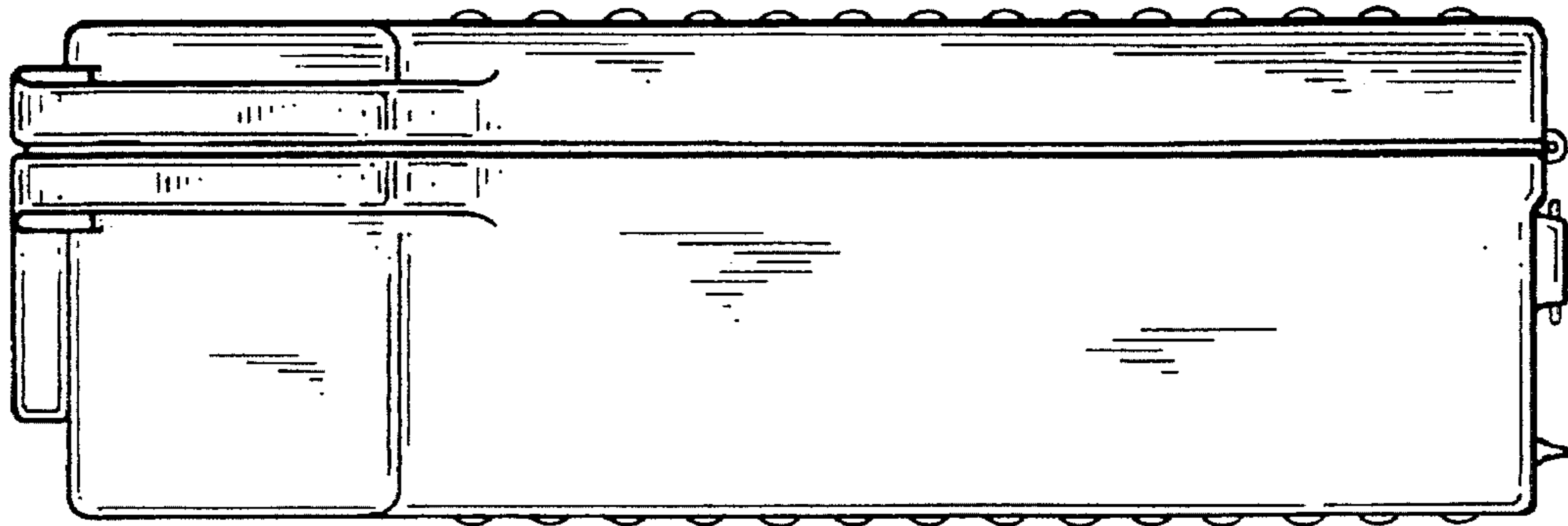


FIG. 4

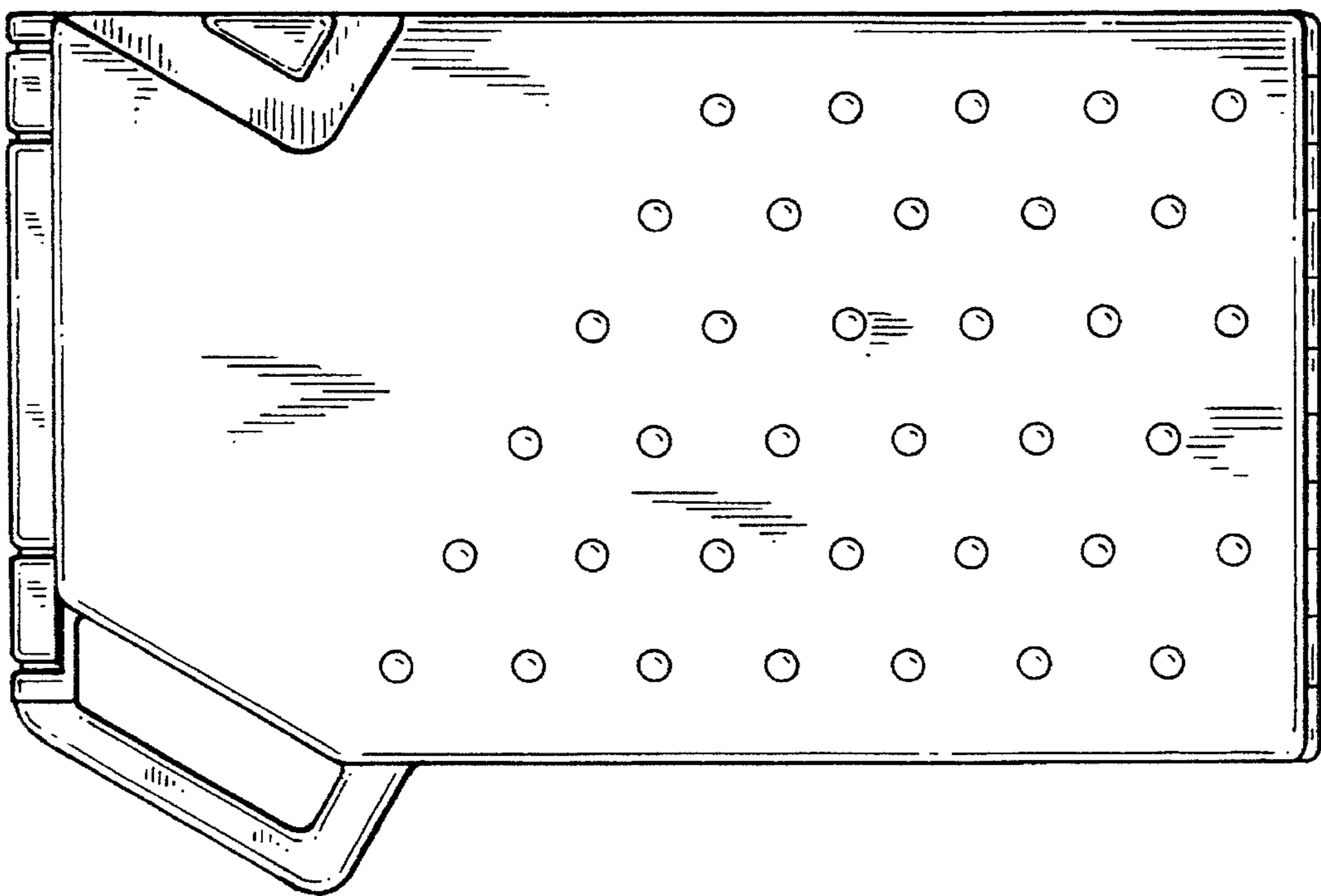


FIG. 3

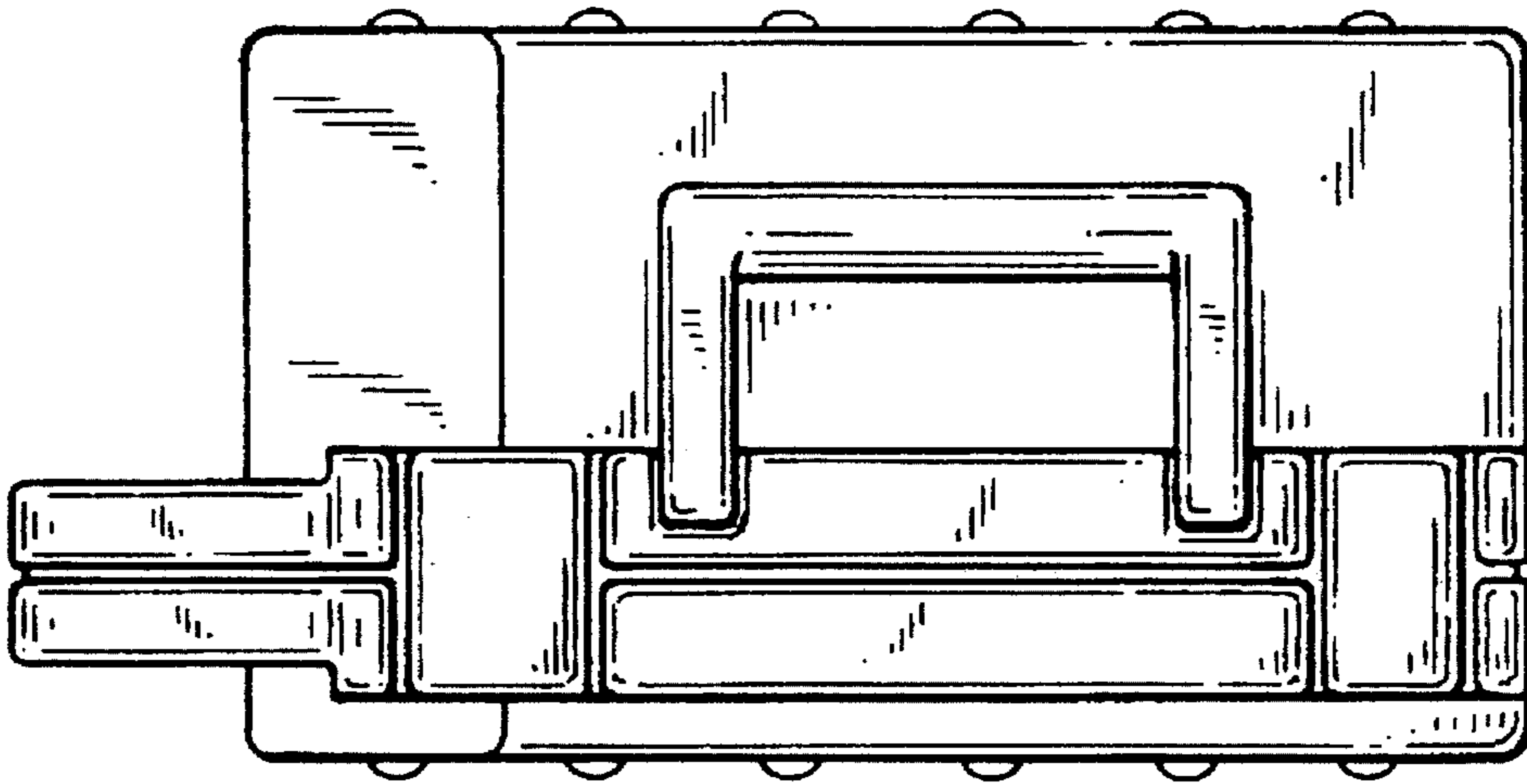


FIG. 5



FIG. 6

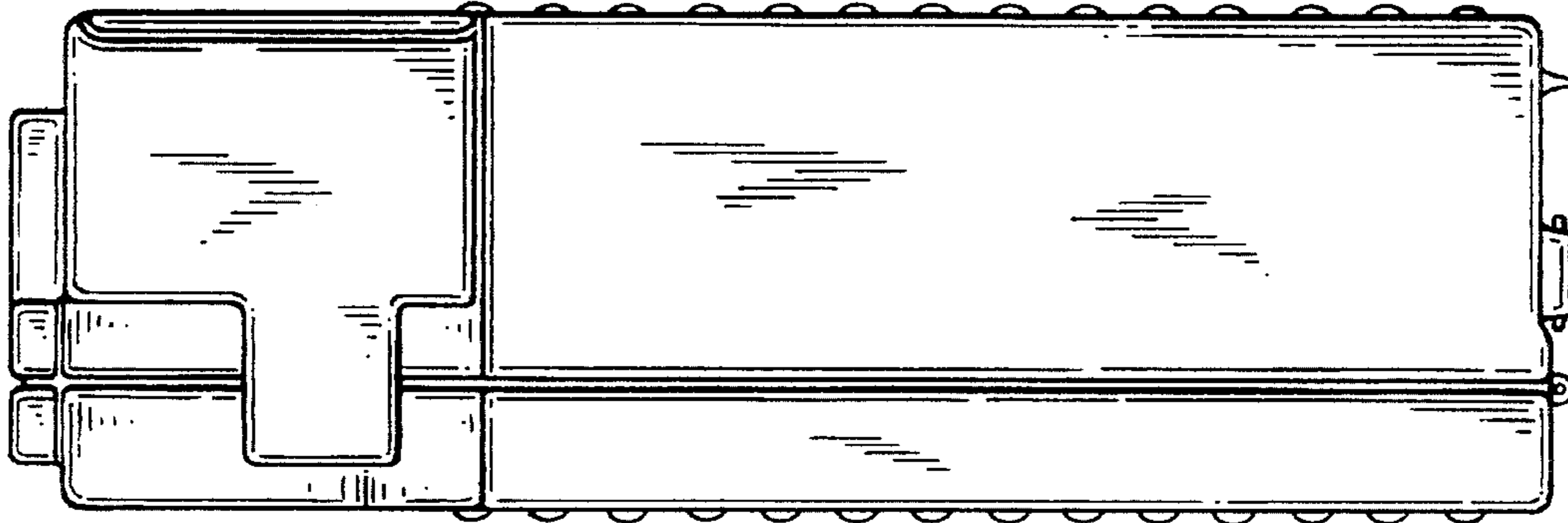


FIG. 8

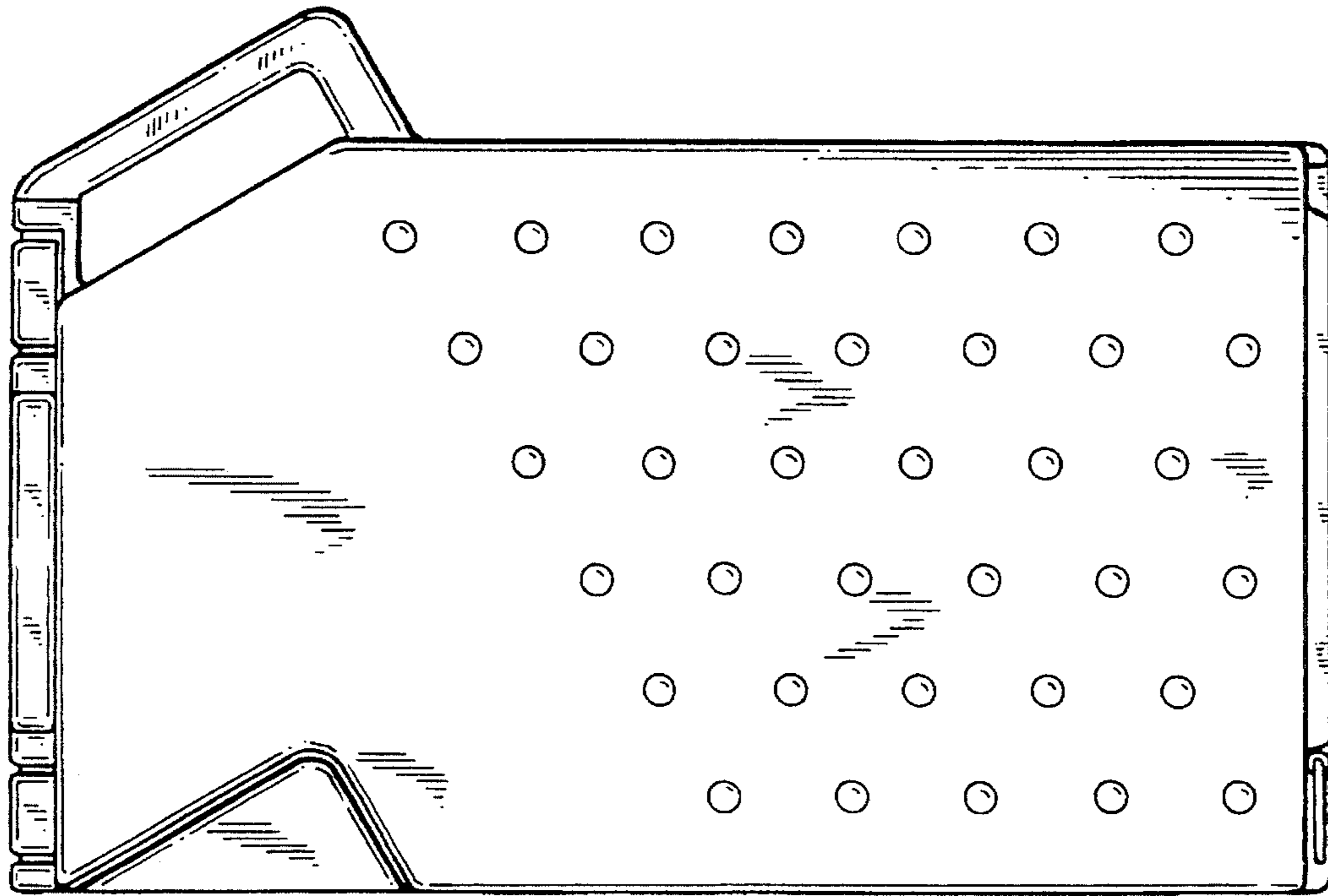


FIG. 7

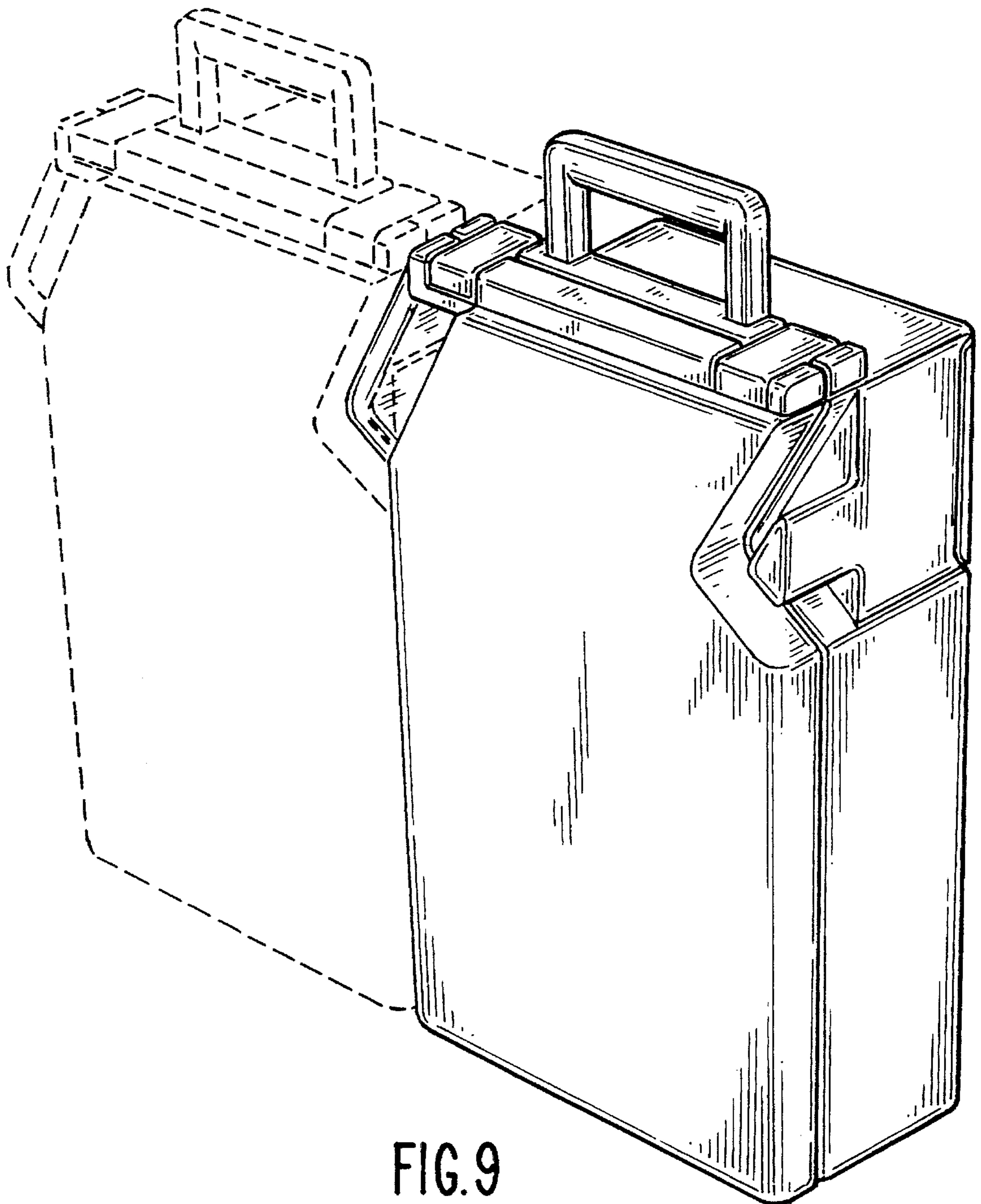


FIG. 9

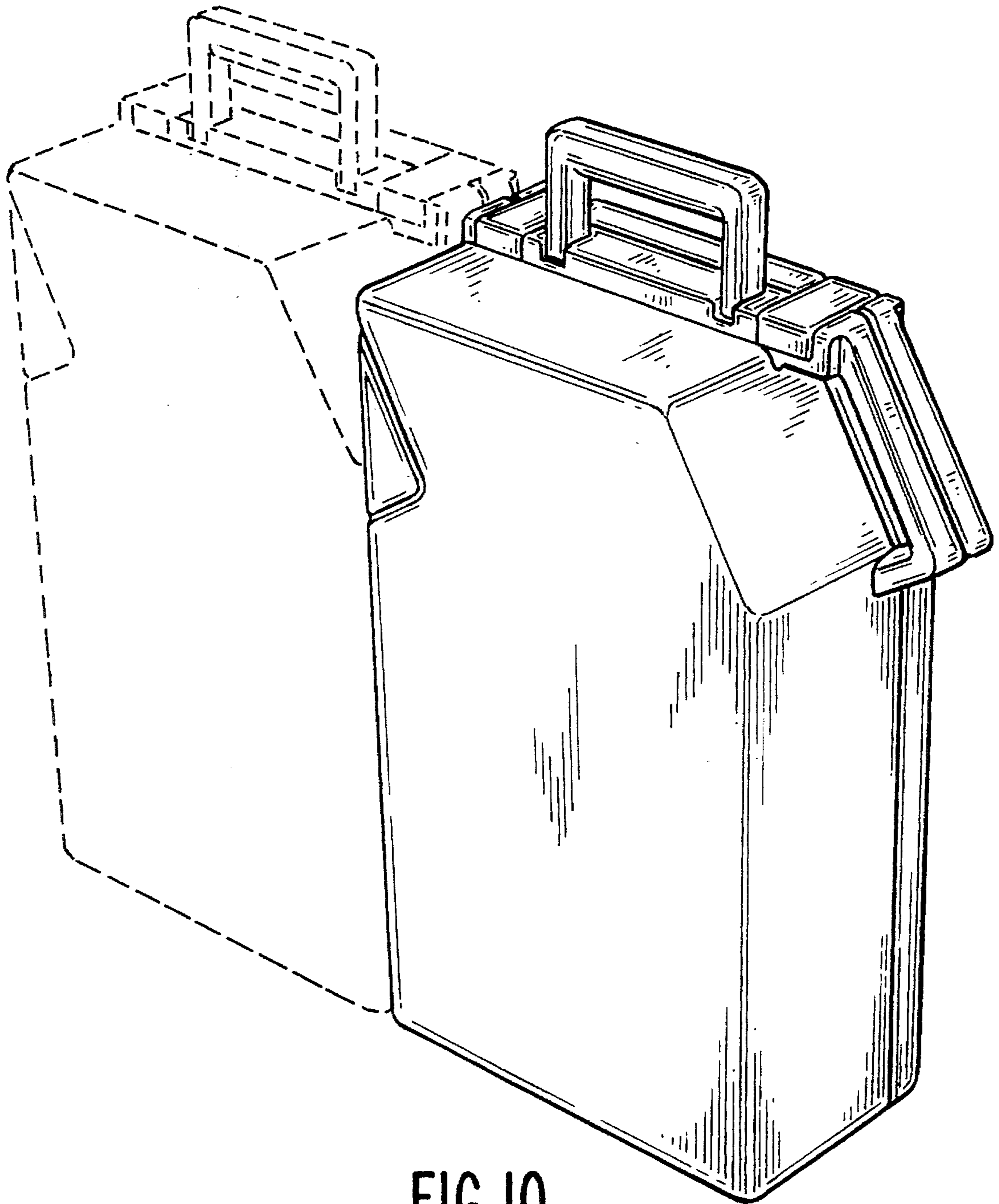


FIG. 10