



US00D362546S

United States Patent [19]

[11] **Patent Number:** **Des. 362,546**

Mundorf et al.

[45] **Date of Patent:** ****Sep. 26, 1995**

[54] **PORTABLE STORAGE CASE**

D. 339,684	9/1993	Cislo	D3/282
D. 347,731	6/1994	Hayakawa et al.	D3/282
4,629,066	12/1986	Howard	206/387
4,832,193	5/1989	Kime	206/373

[75] Inventors: **Larry K. Mundorf**, North Canton;
James T. Weisburn, Massillon;
Christopher G. Gallagher, Akron, all
of Ohio

Primary Examiner—Theodore M. Shooman
Assistant Examiner—Philip Hyder
Attorney, Agent, or Firm—Sand & Sebolt

[73] Assignee: **Alpha Enterprises, Inc.**, North Canton,
Ohio

[57] **CLAIM**

[**] Term: **14 Years**

The ornamental design for a portable storage case, as shown
and described.

[21] Appl. No.: **25,427**

DESCRIPTION

[22] Filed: **Jul. 1, 1994**

[52] U.S. Cl. **D3/276; D3/273; D3/282**

[58] **Field of Search** D3/276, 282, 273,
D3/283, 291, 294, 905; 190/18.1, 100,
107, 109, 112, 115, 116, 124, 900, 903

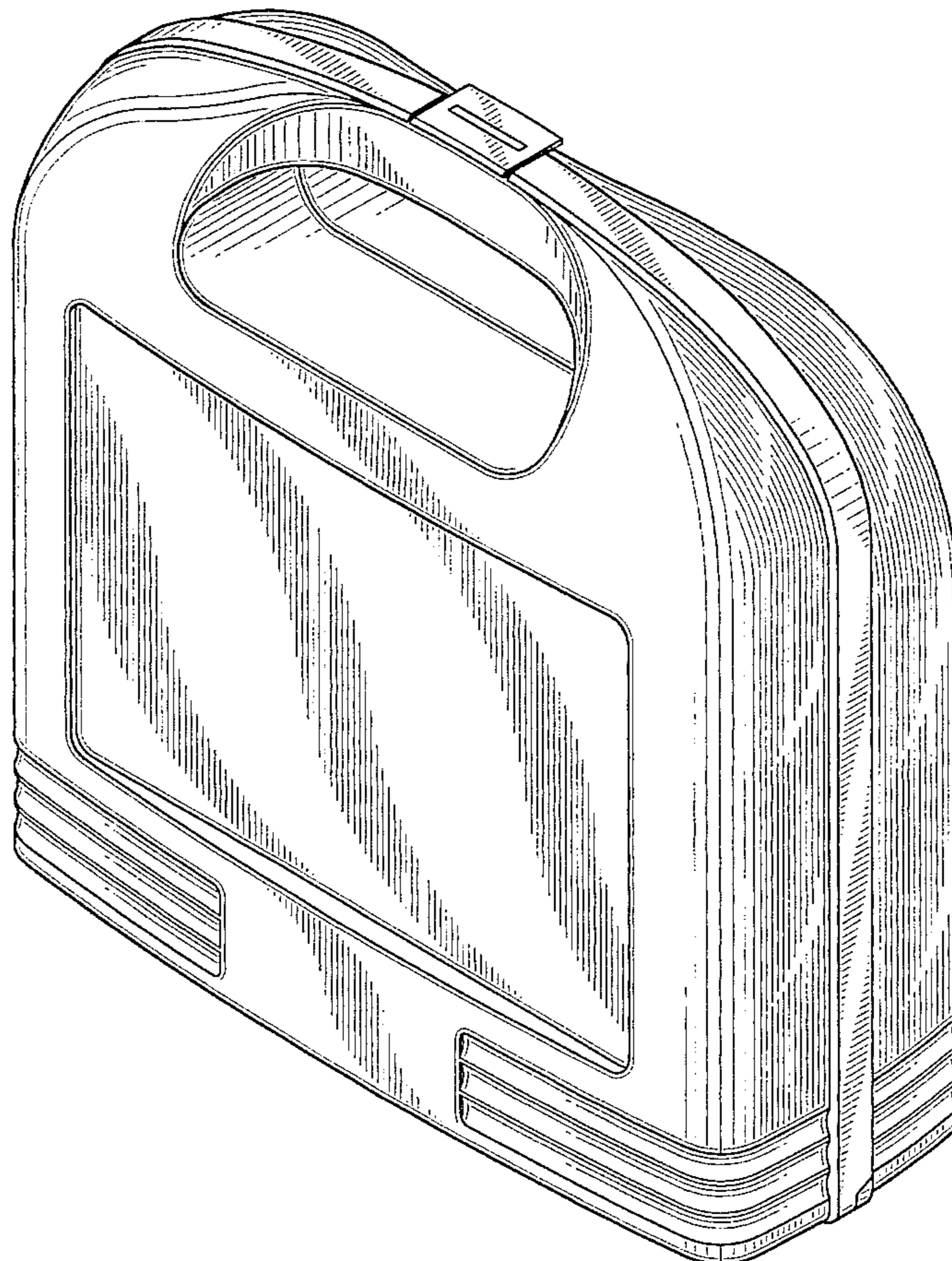
FIG. 1 is a perspective view of a portable storage case shown
in closed position;
FIG. 2 is a perspective view of the portable storage case of
FIG. 1 shown in partial open position;
FIG. 3 is a top plan view of FIG. 2 in full open position;
FIG. 4 is a right side elevational view of FIG. 3, the left side
being a mirror image;
FIG. 5 is a front elevation view of FIG. 1;
FIG. 6 is a top plan view of FIG. 5;
FIG. 7 is a right side elevation view of FIG. 5, the left side
being a mirror image;
FIG. 8 is a bottom plan view of FIG. 5; and,
FIG. 9 is a rear elevational view of FIG. 5.

[56] **References Cited**

U.S. PATENT DOCUMENTS

D. 259,760	7/1981	Lucas et al.	D3/282
D. 280,467	9/1985	Mibojevich	D3/76
D. 296,153	6/1988	Reichow	D3/35
D. 306,234	2/1990	Ferstl	D19/75
D. 314,669	2/1991	Kunimune	D3/282
D. 324,608	3/1992	Forbes	D3/282
D. 330,975	11/1992	Stafford	D3/35
D. 333,912	3/1993	Cheng	D3/282

1 Claim, 6 Drawing Sheets



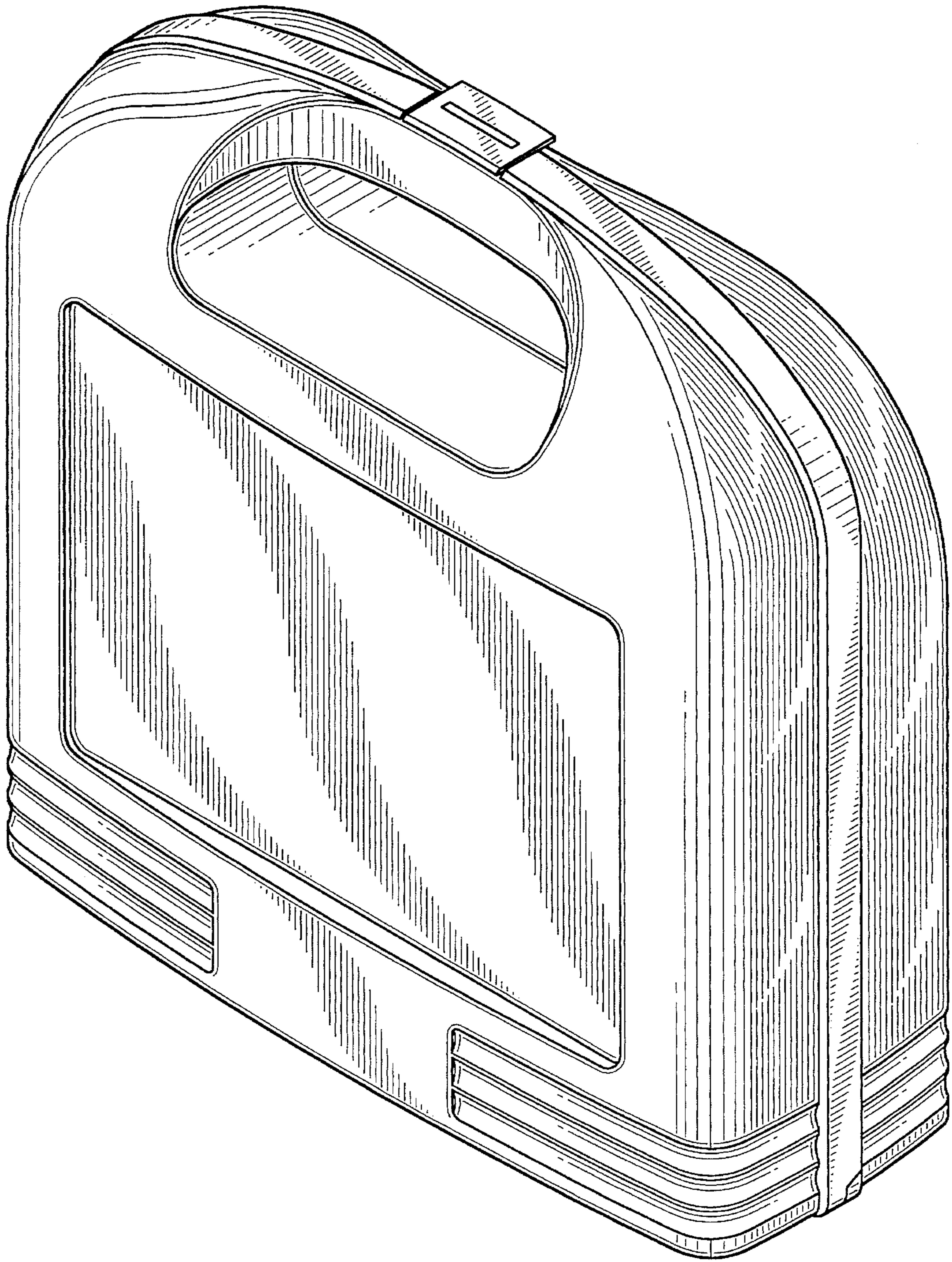


FIG-1

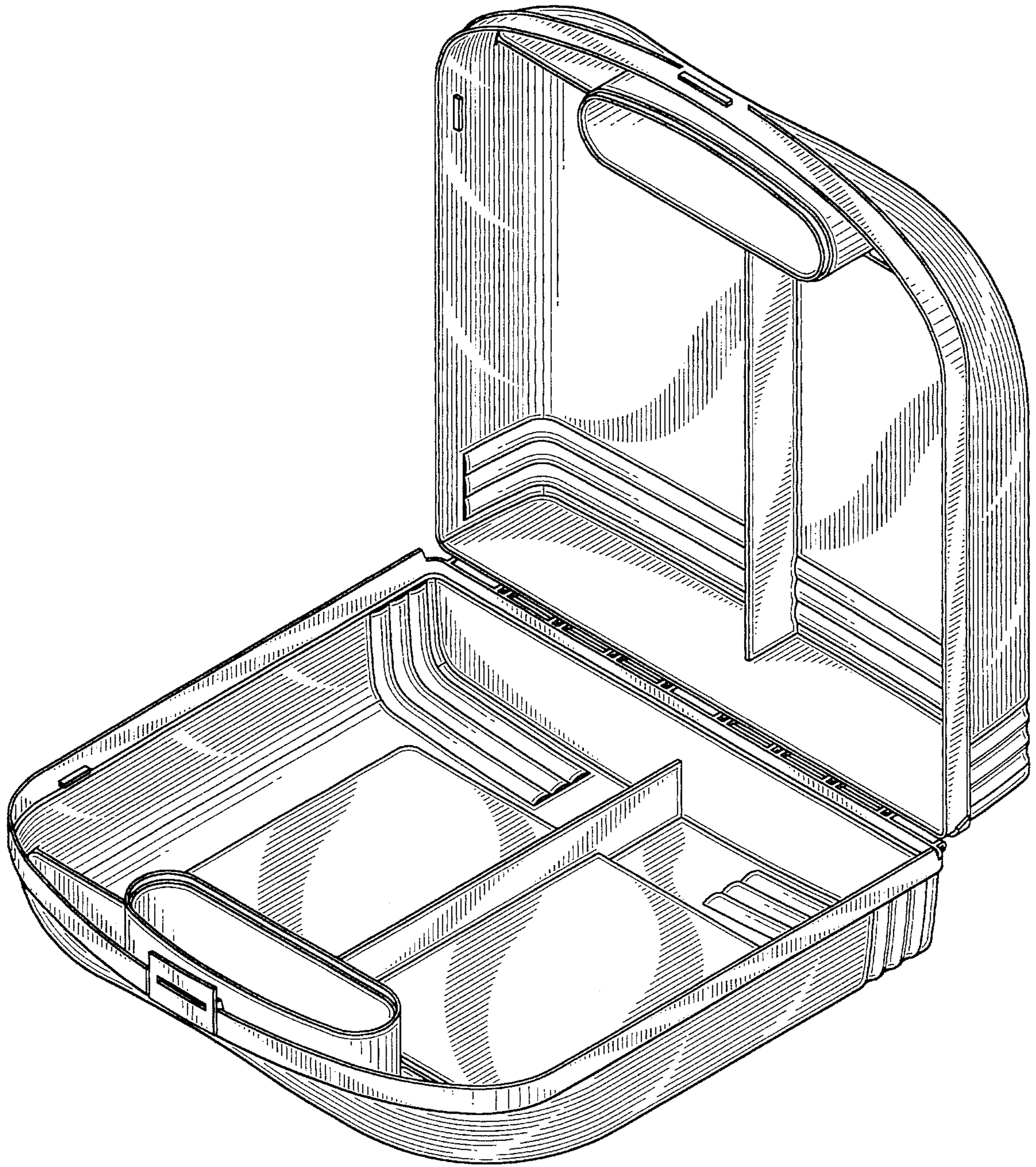


FIG-2

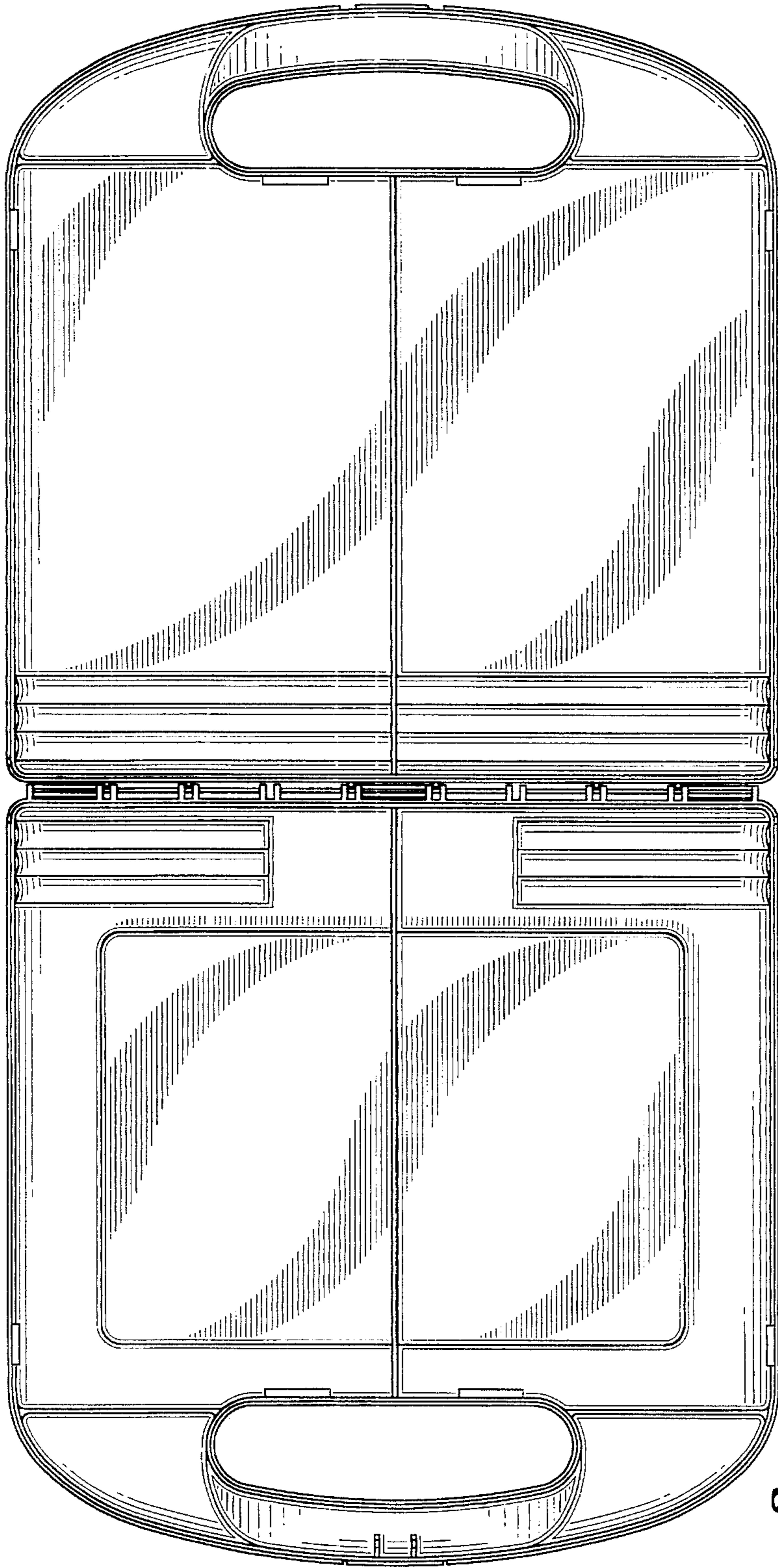


FIG-3

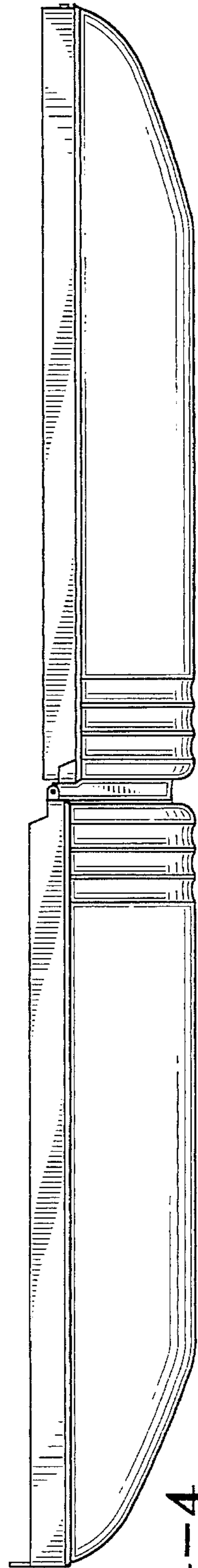


FIG-4

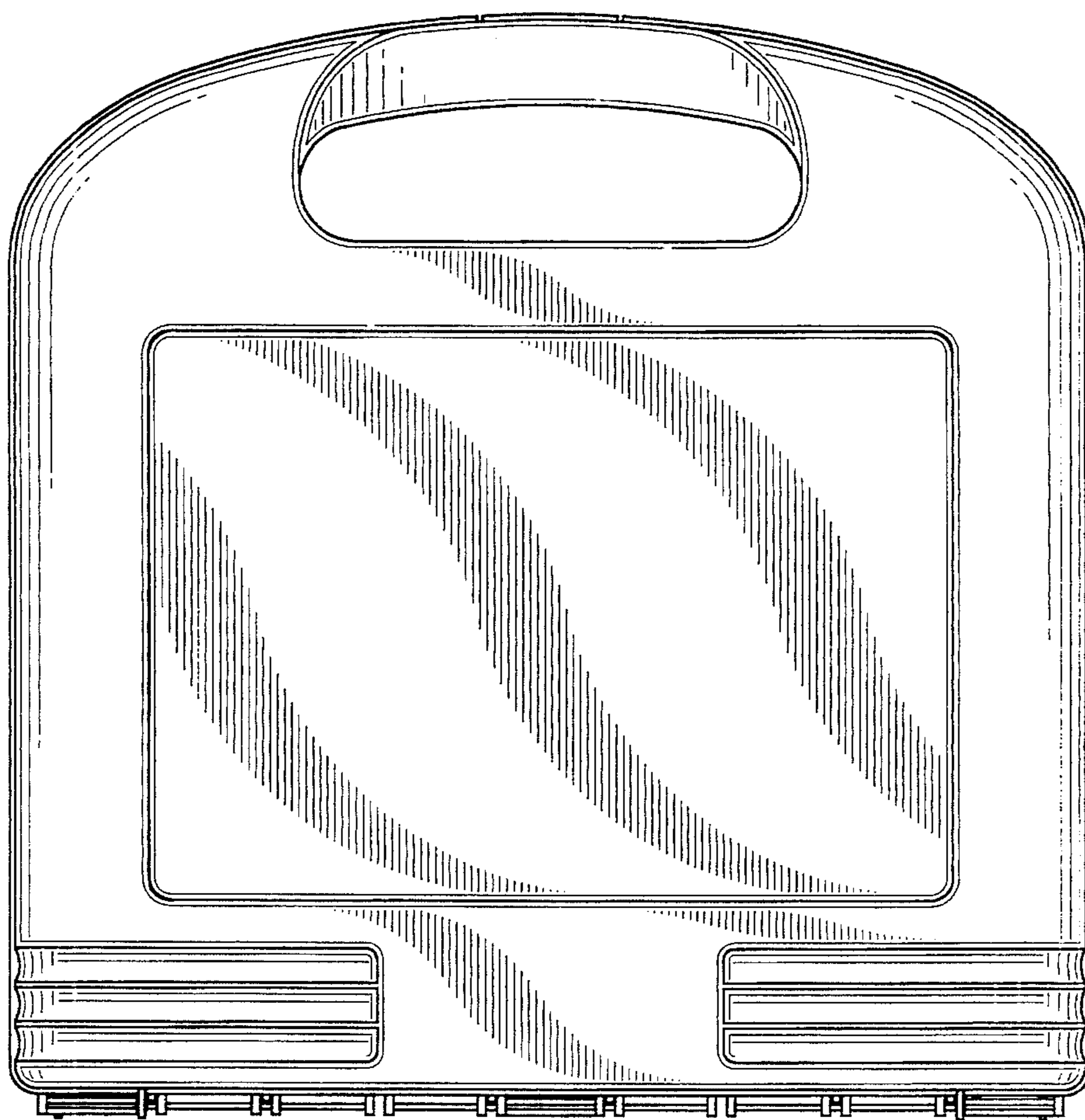


FIG-5

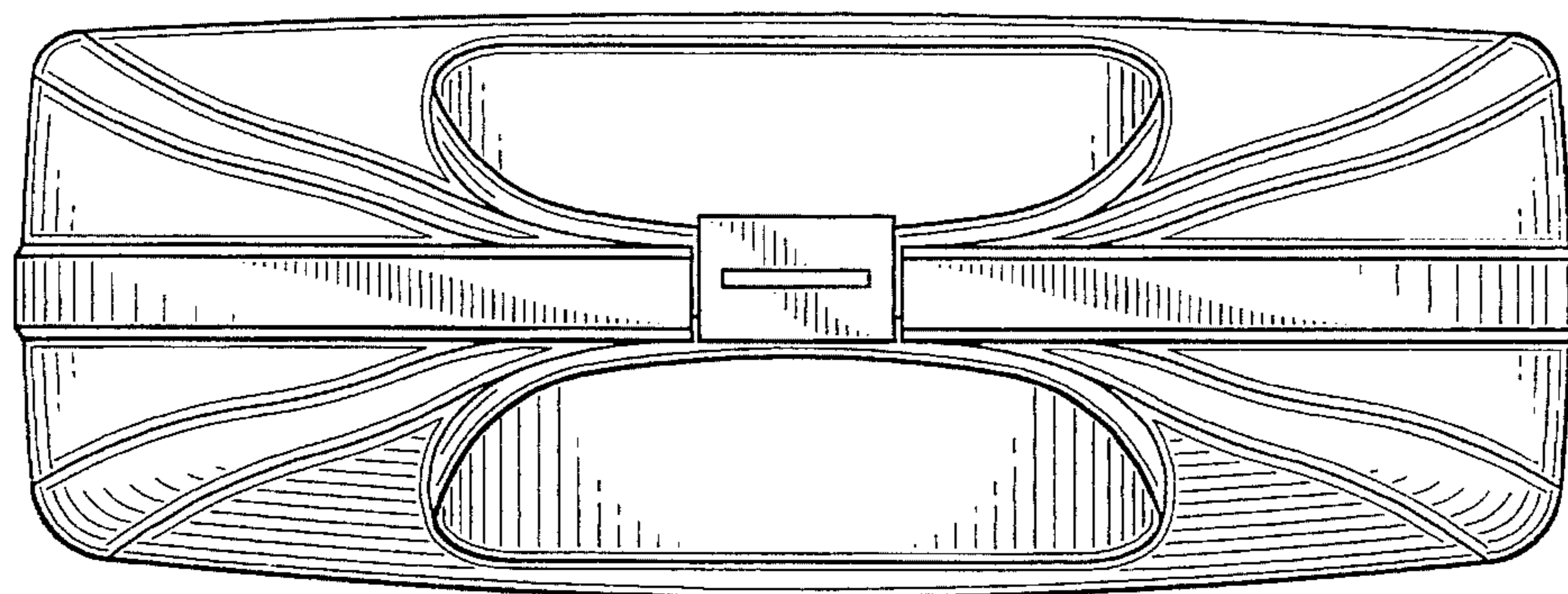


FIG-6

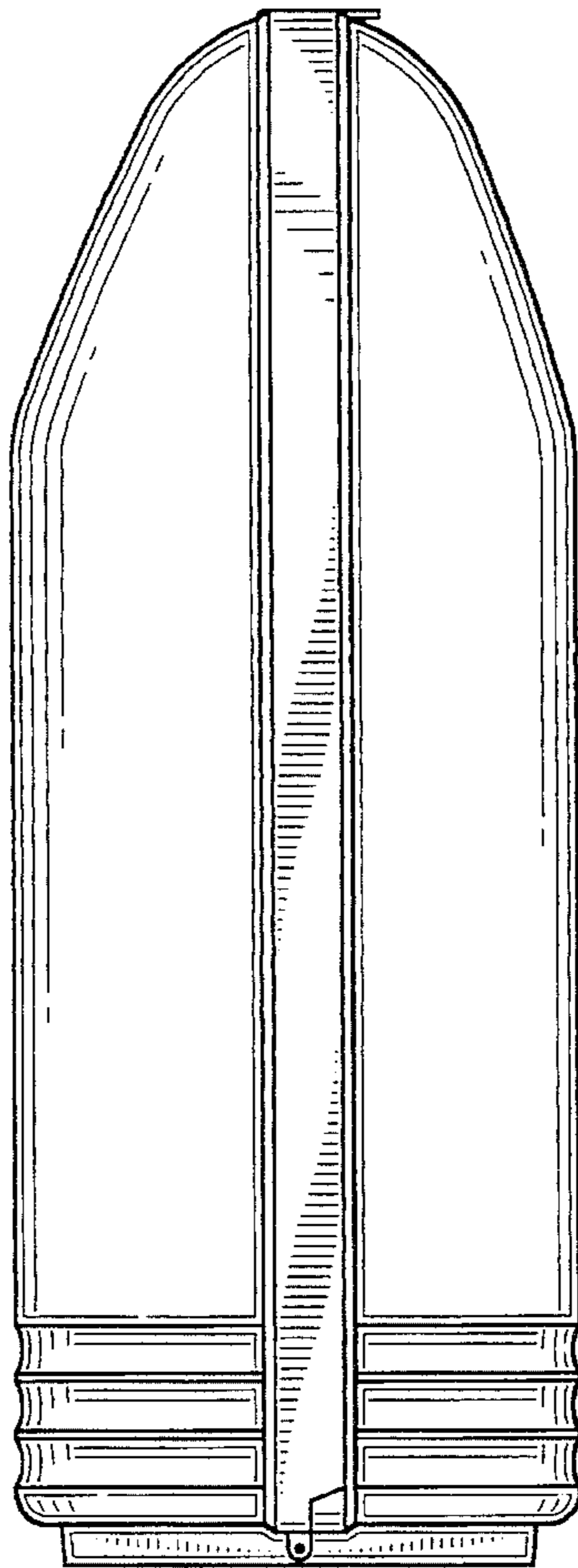


FIG-7

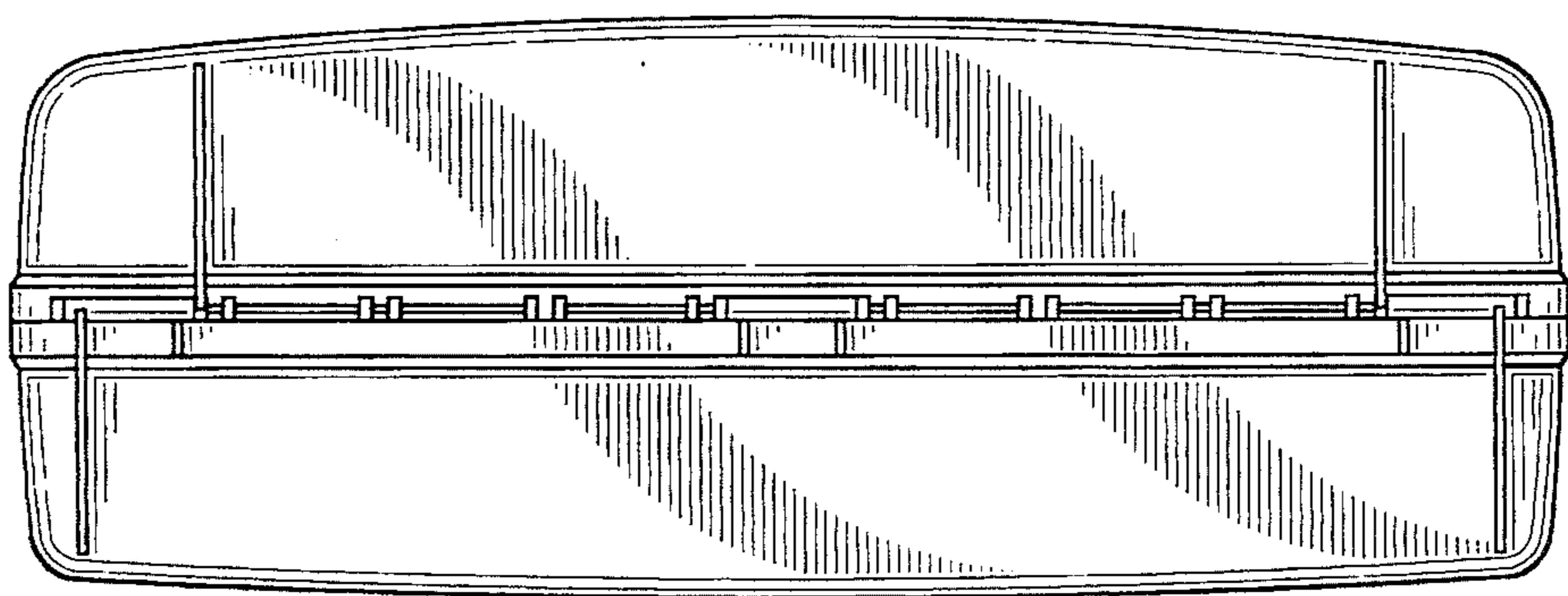


FIG-8

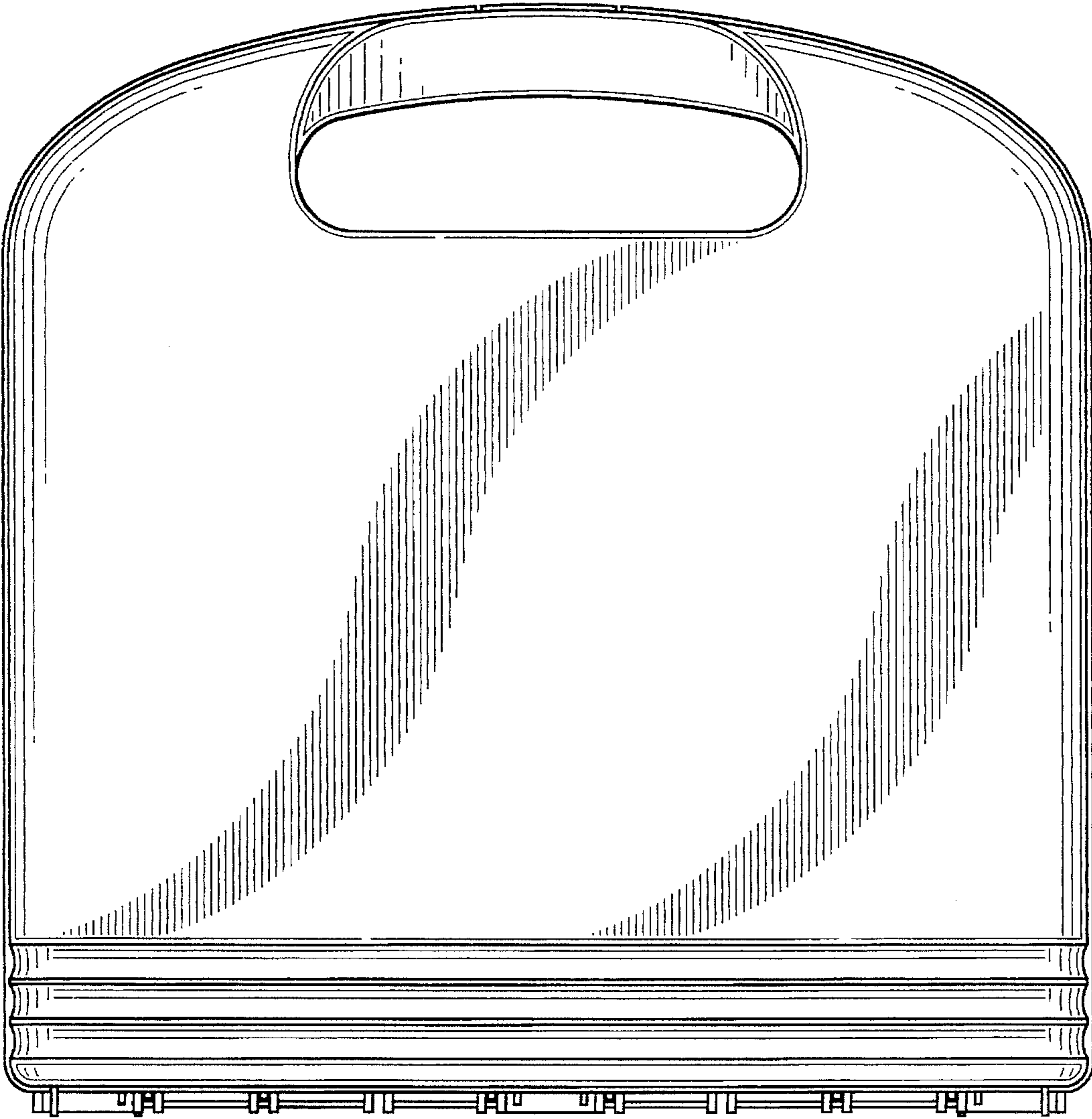


FIG-9