



US00D362535S

United States Patent [19]

[11] Patent Number: Des. 362,535

Bauer et al.

[45] Date of Patent: ** Sep. 19, 1995

[54] **ELECTRONIC STORAGE CABINET AND LIGHTED SIGN ASSEMBLY FOR AN AUTOMATIC TELLER MACHINE**

and lighted sign assembly for an automatic teller machine, as shown and described.

[76] Inventors: **Daniel R. Bauer**, 498 Stage Line Rd., Hudson, Wis. 54016; **Kristofer G. Kosmider**, 1717 Century Cir., #320, Woodbury, Minn. 55125

DESCRIPTION

[**] Term: **14 Years**

FIG. 1 is a front view of a electronic storage cabinet and lighted sign assembly for an automatic teller machine showing our new design;

[21] Appl. No.: **11,045**

FIG. 2 is a right side elevational view;

[22] Filed: **Jul. 26, 1993**

FIG. 3 is a top plan view;

[52] U.S. Cl. **D99/99**

FIG. 4 is a bottom view;

[58] Field of Search **D99/99, 28; D21/1-9; 40/540, 541, 542, 543, 564, 567, 568**

FIG. 5 is a front, top and left side perspective view;

FIG. 6 is a rear view thereof;

[56] References Cited

U.S. PATENT DOCUMENTS

- D. 283,745 5/1986 Jenkins D99/28
- D. 291,379 8/1987 Gengler et al. D99/28
- D. 308,275 5/1990 Garten et al. D99/28

FIG. 7 is a front elevational view of a second embodiment of FIGS. 1-6;

FIG. 8 is a right side elevational view of FIG. 7;

FIG. 9 is a top plan view of FIG. 7;

FIG. 10 is a front, top left side perspective of FIG. 7;

FIG. 11 is a rear view of FIG. 7;

Primary Examiner—Alan P. Douglas
Assistant Examiner—J. H. Musgrove
Attorney, Agent, or Firm—Roger W. Jensen

FIG. 12 is a front elevational view of a third embodiment of FIGS. 1-6;

FIG. 13 is a right side elevational view of FIG. 12; and,

FIG. 14 is a front, top left side perspective view of FIG. 12 thereof.

[57] CLAIM

The ornamental design for an electronic storage cabinet

The showing of FIGS. 7, 8, 10 and 11 have been broken away for ease of illustration.

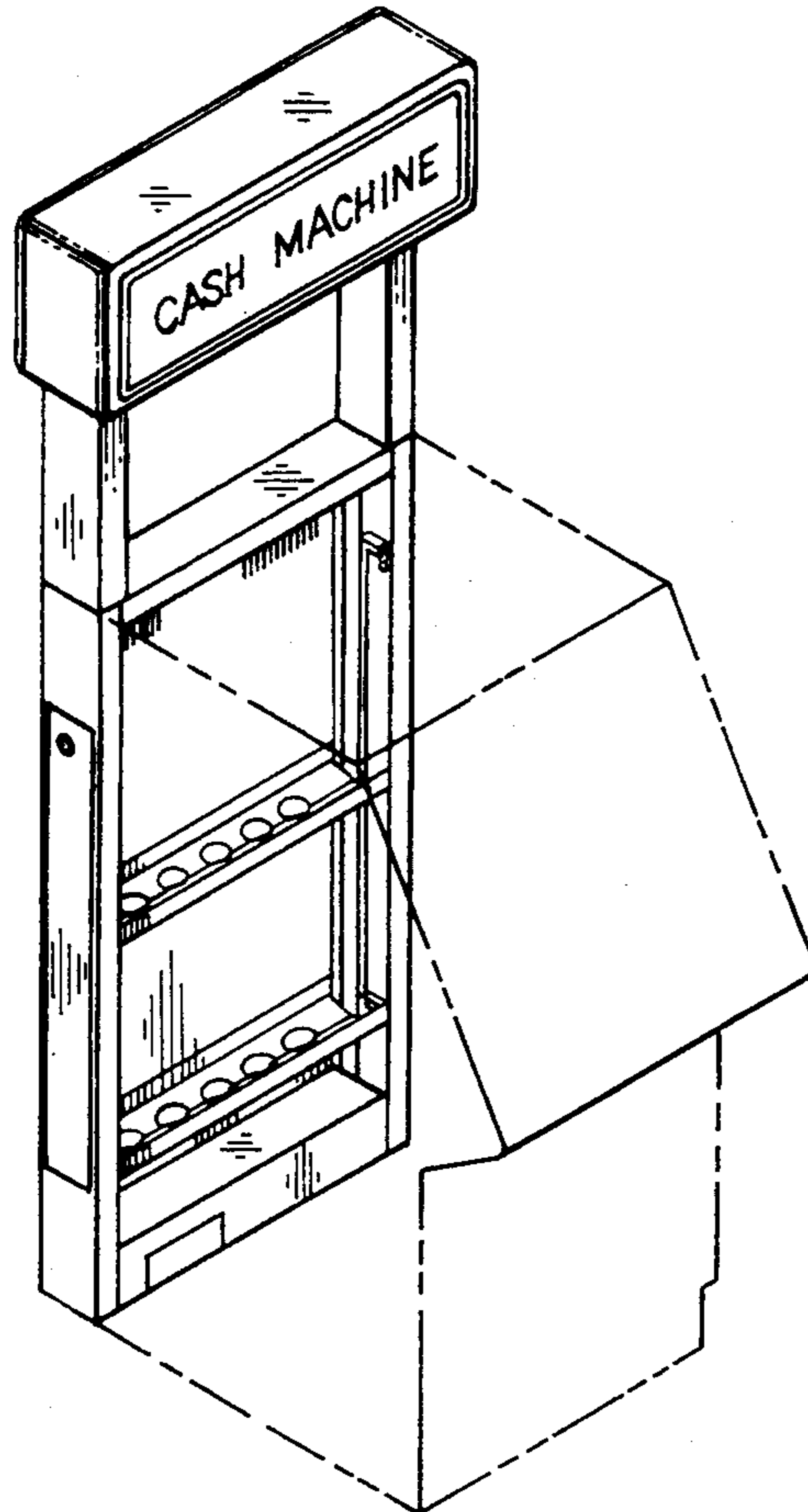


FIG. 3

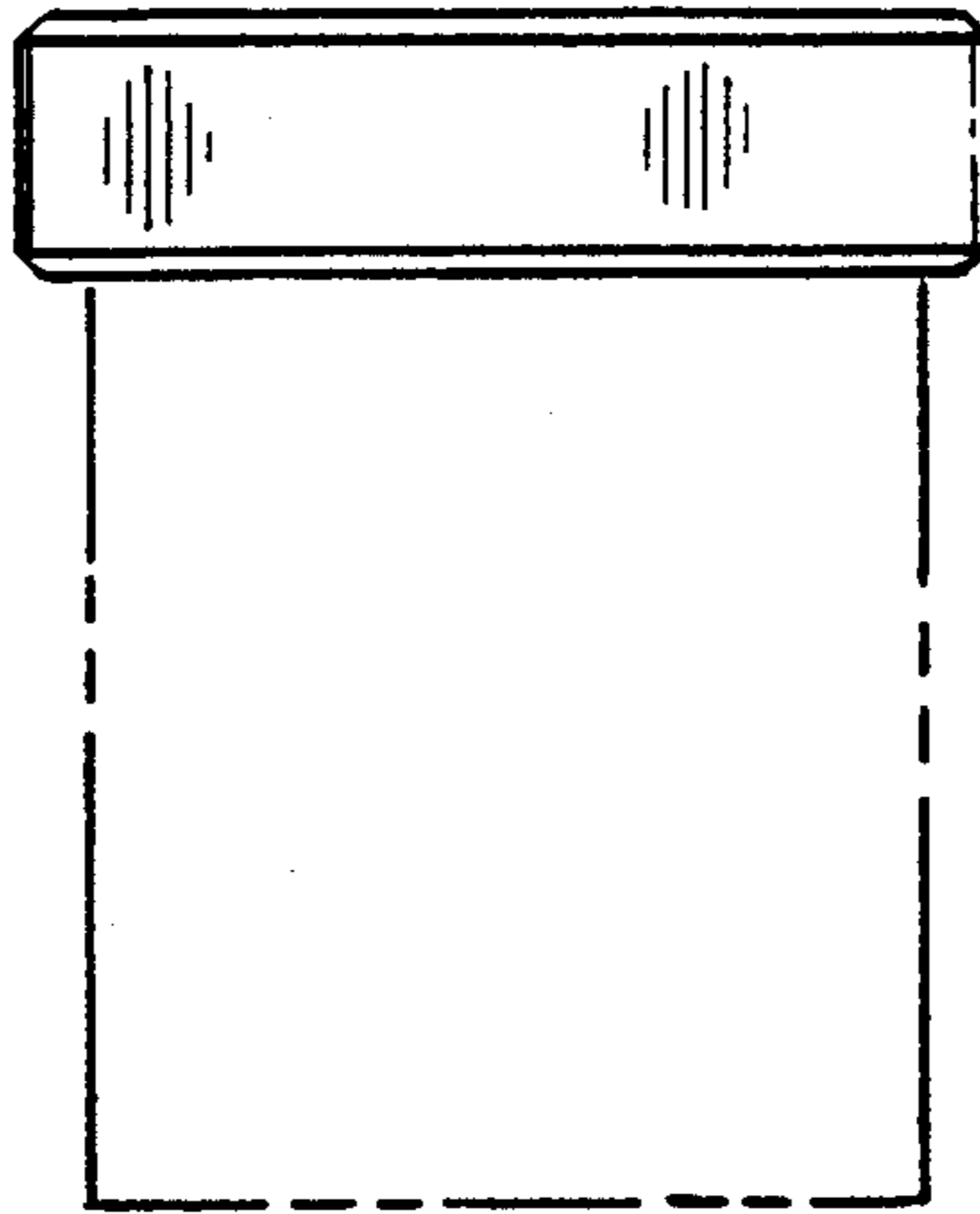


FIG. 1

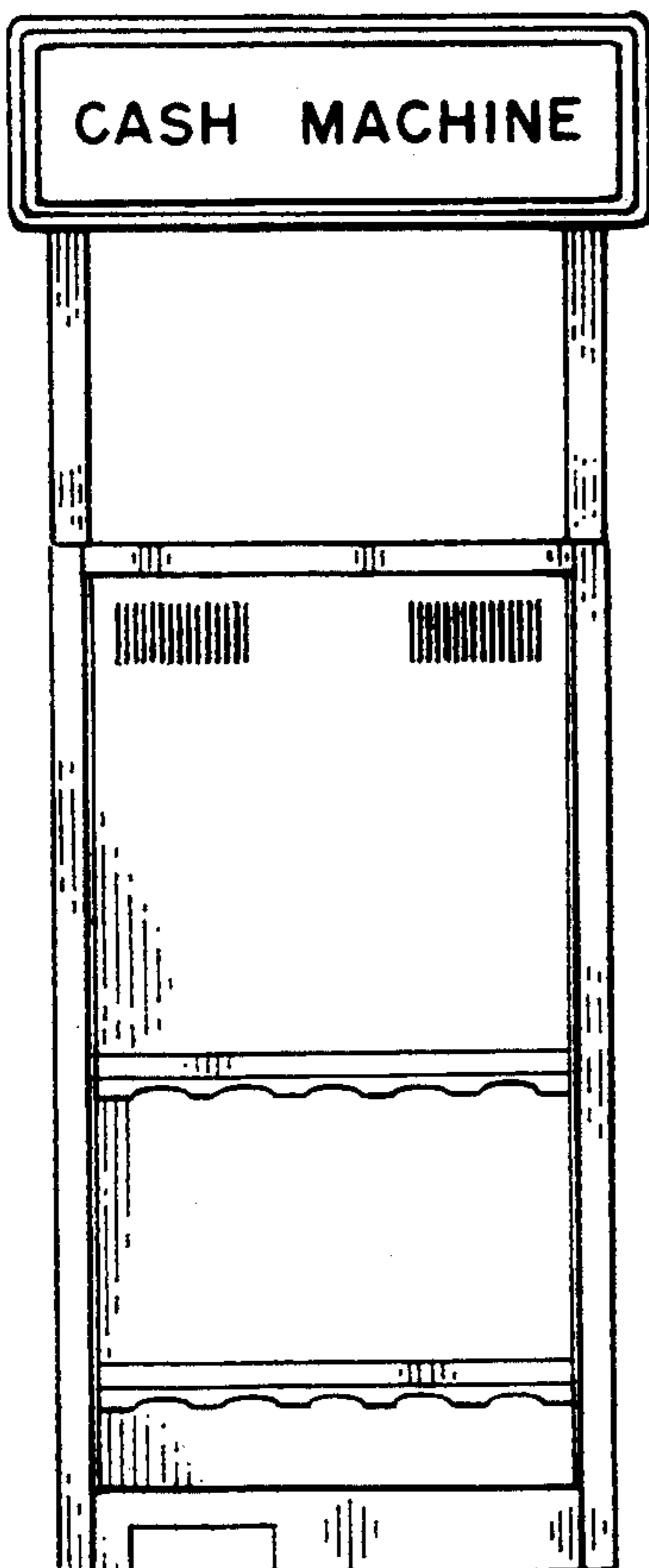
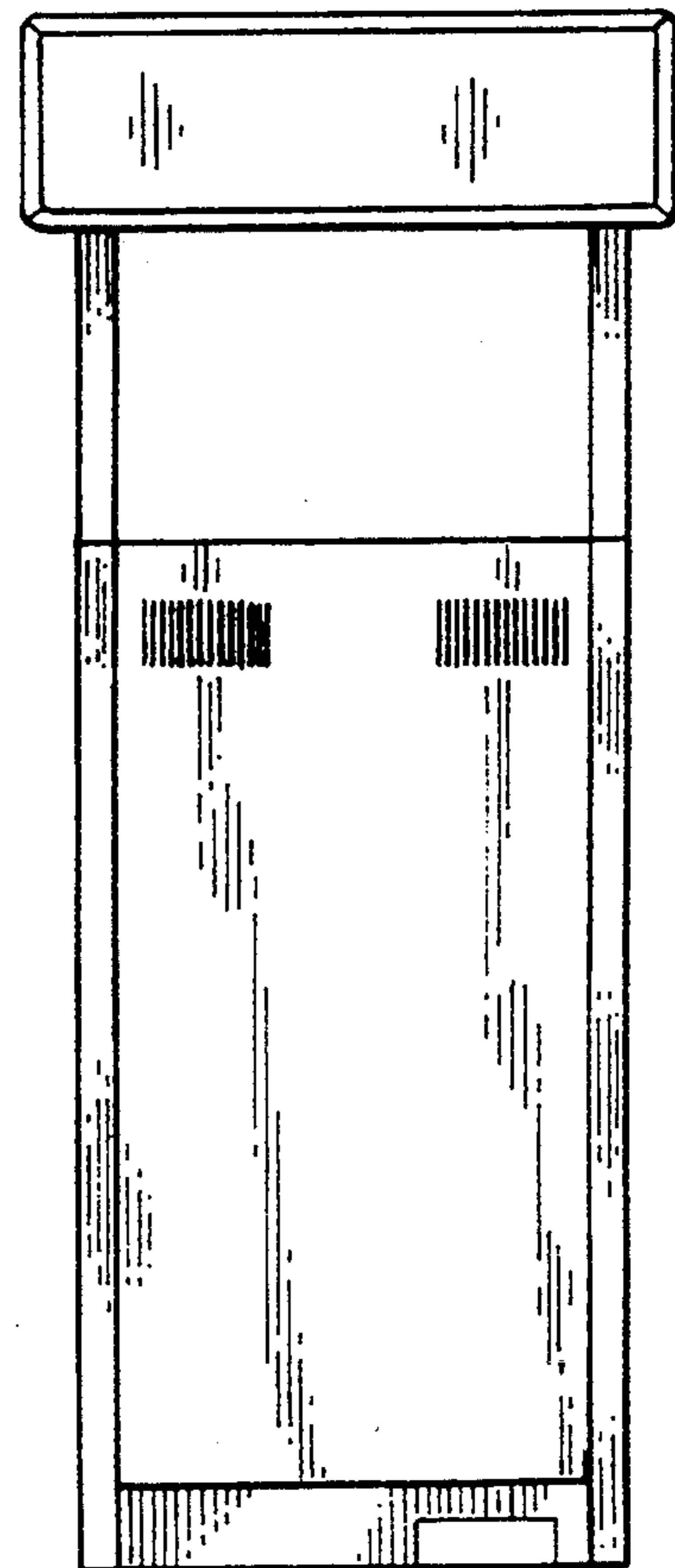


FIG. 6



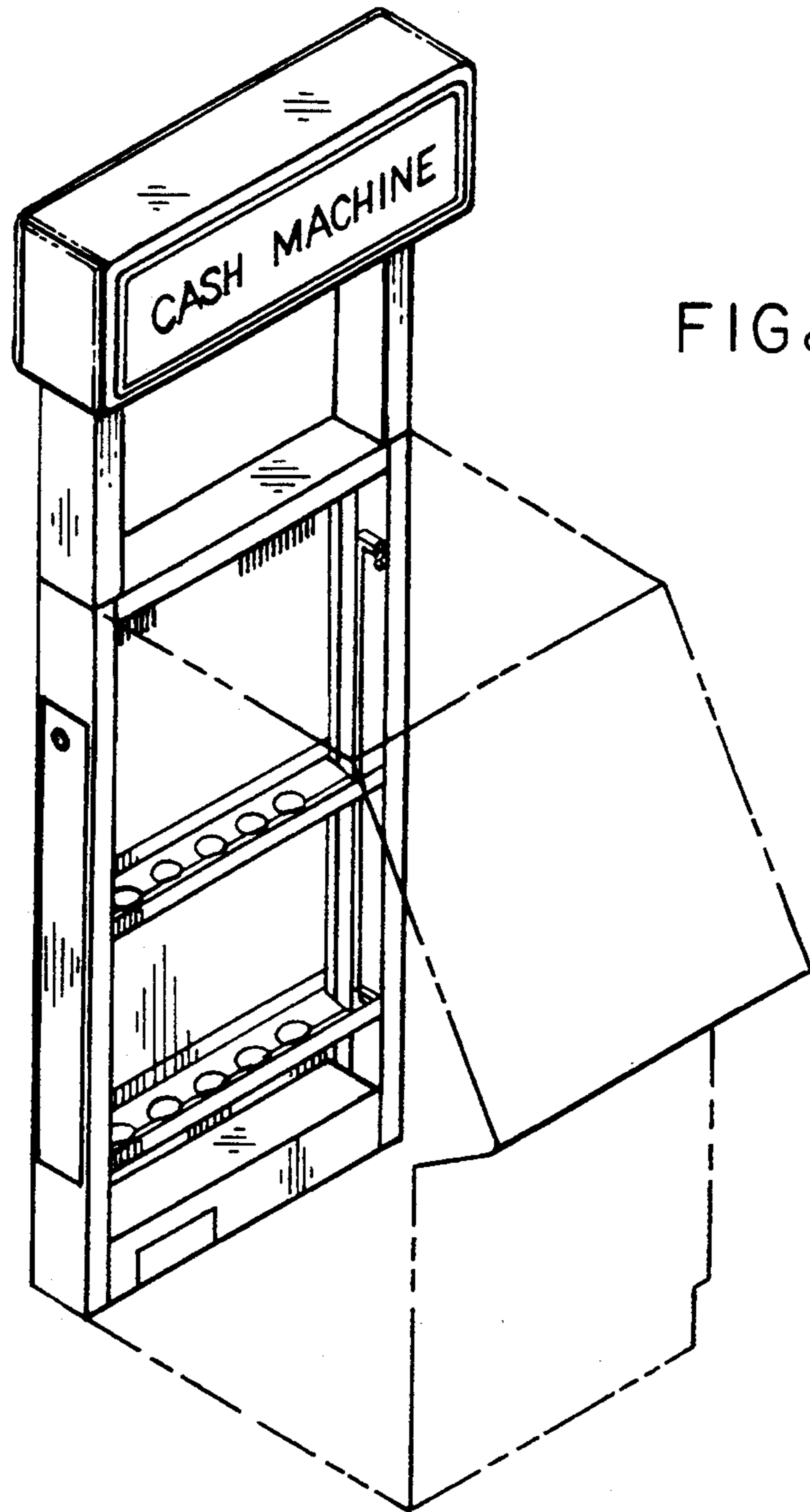


FIG. 5

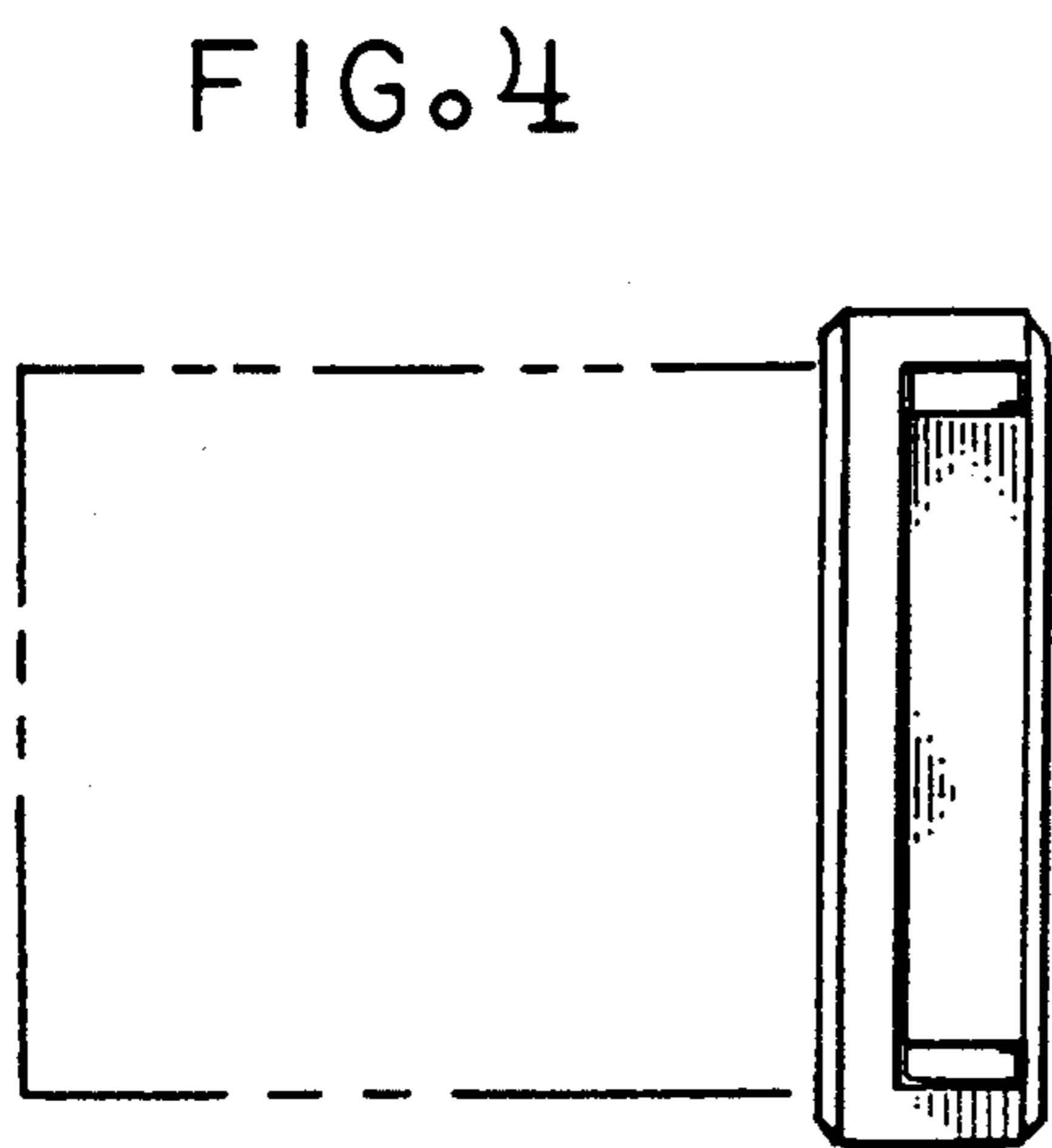


FIG. 4

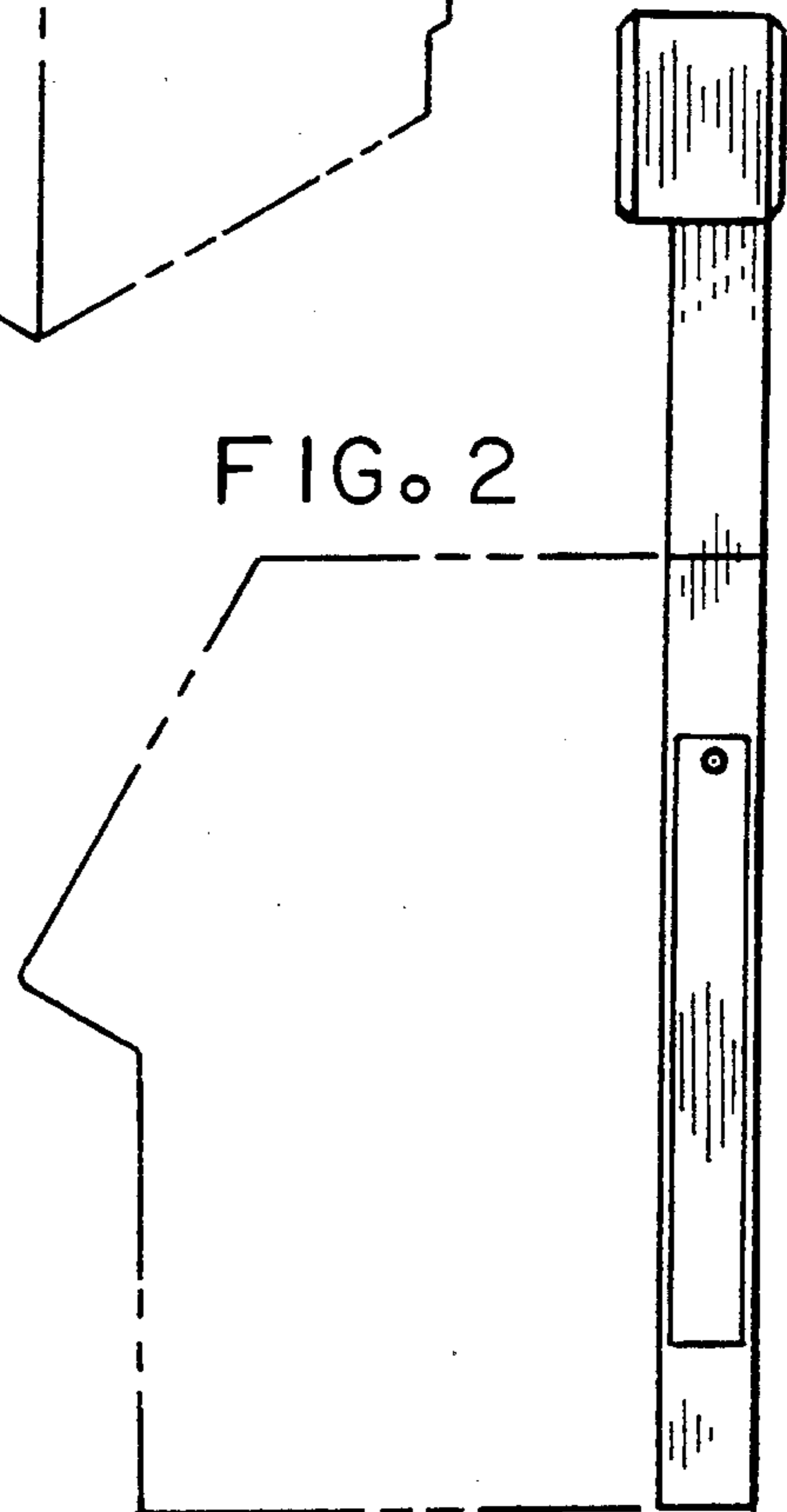


FIG. 2

FIG. 11

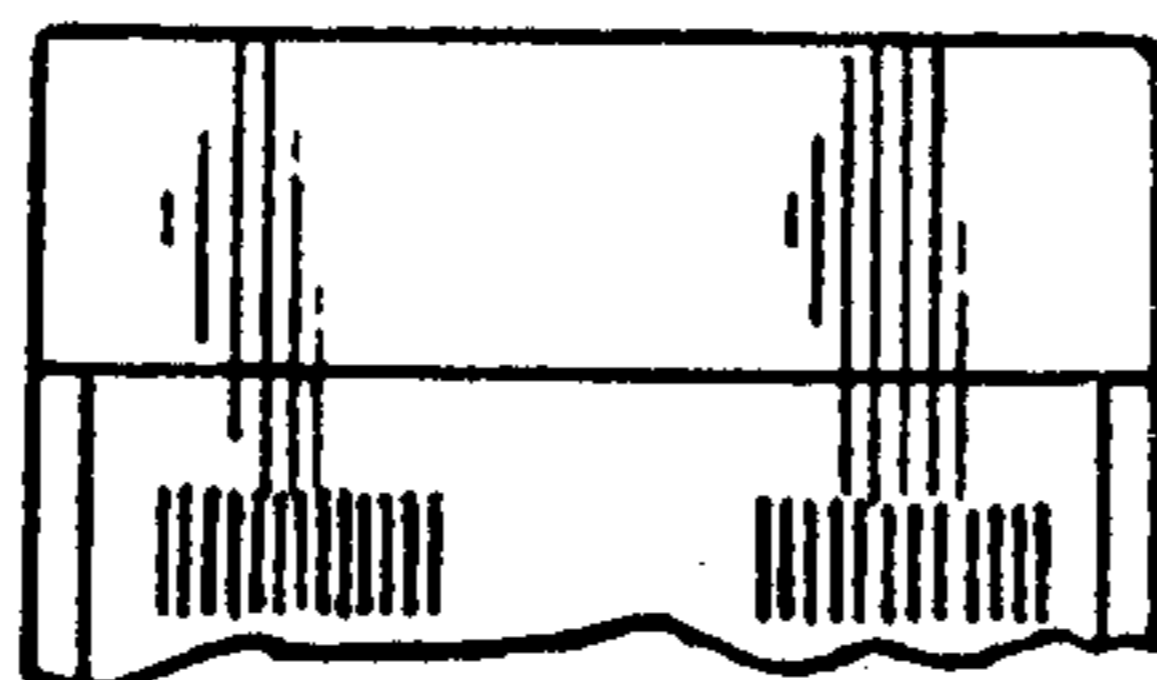


FIG. 7

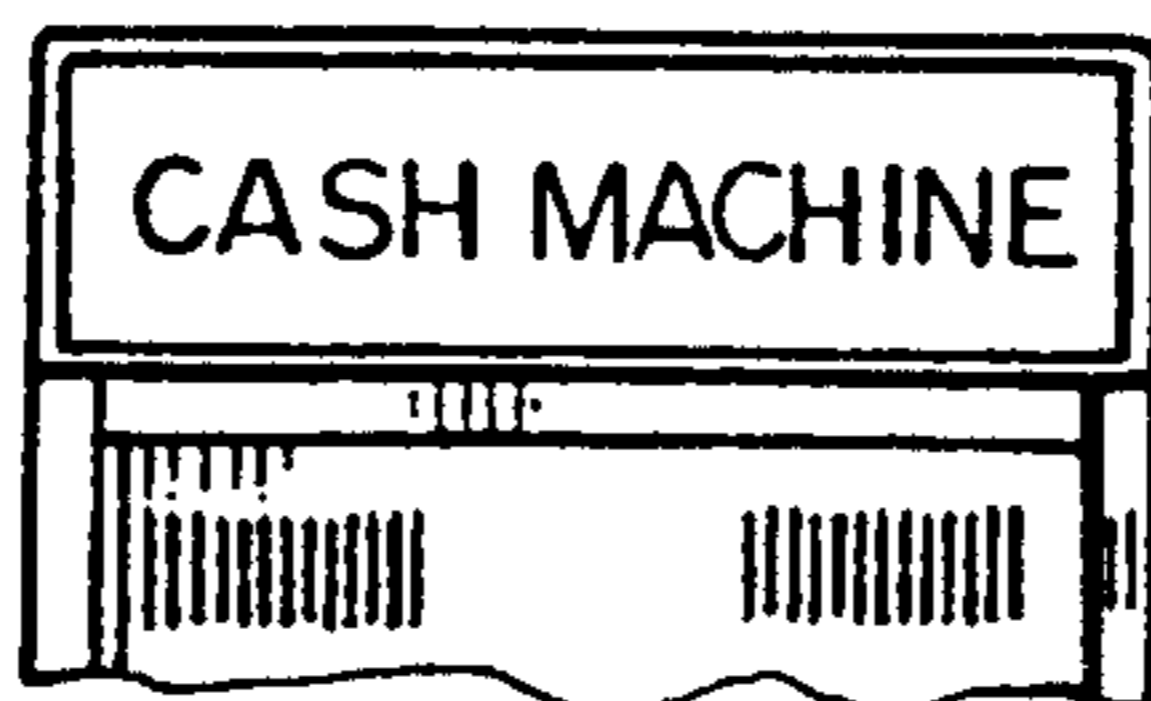


FIG. 9



FIG. 8

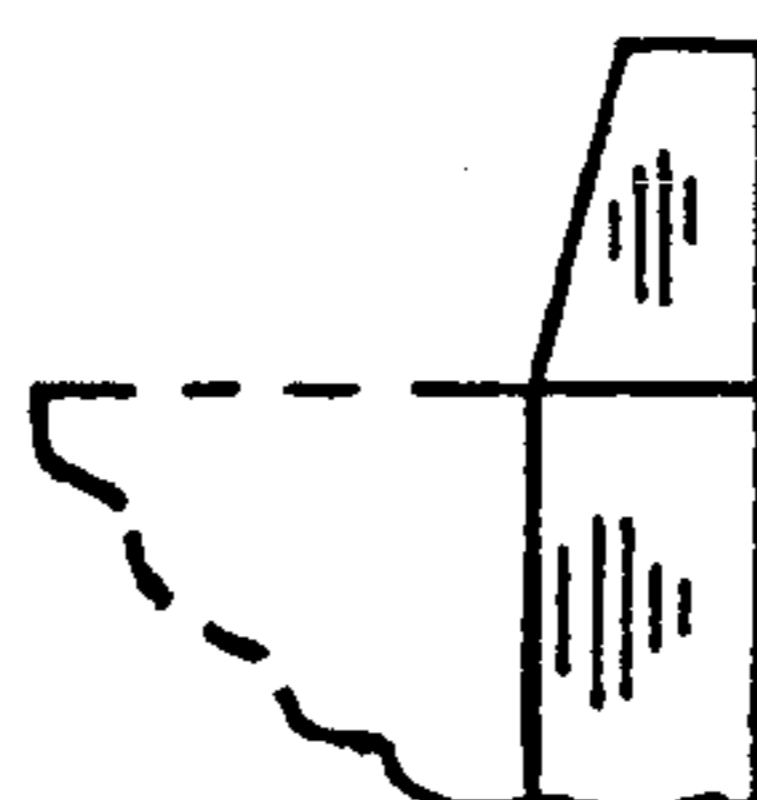
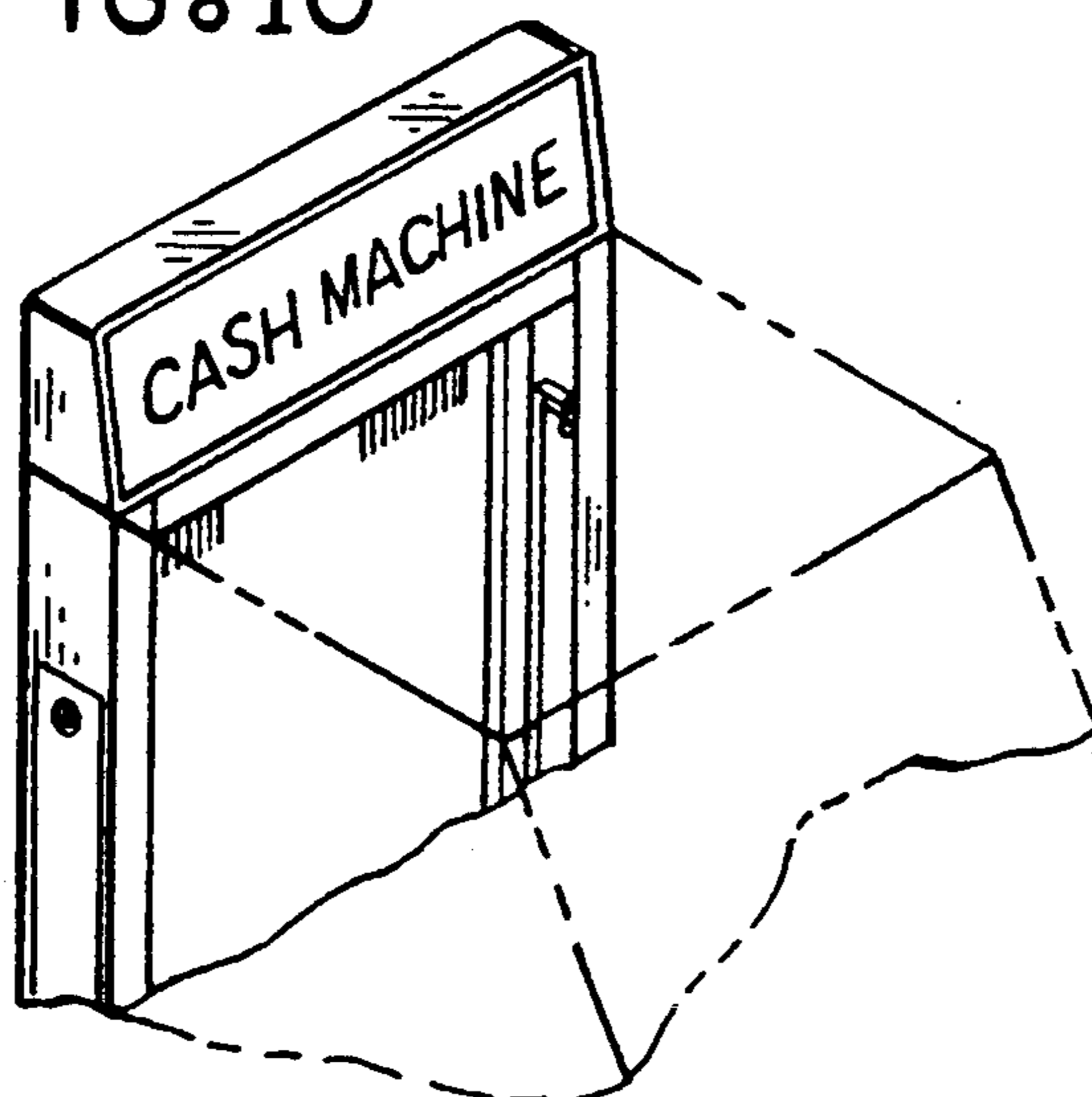


FIG. 10



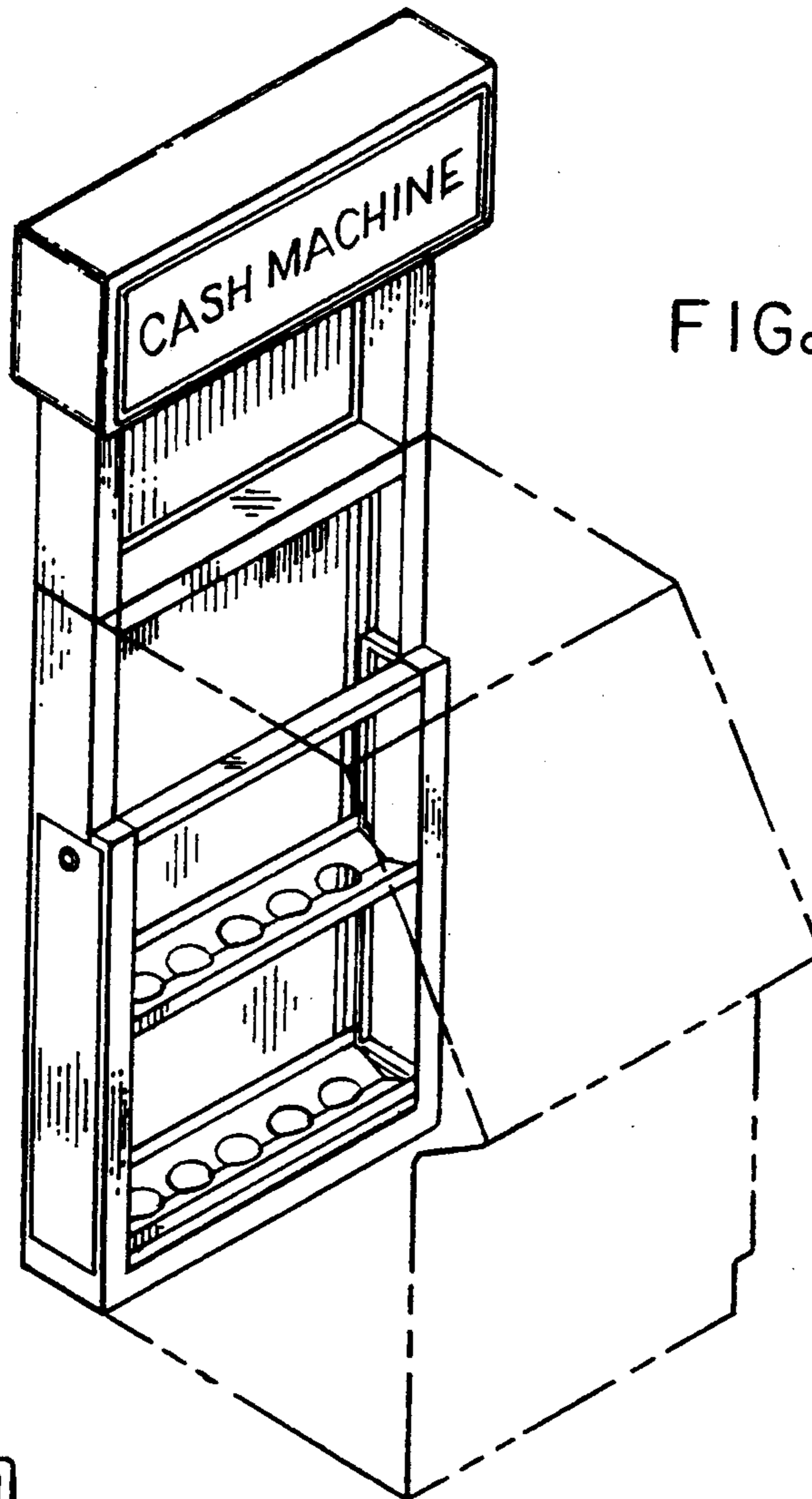


FIG. 14

FIG. 12

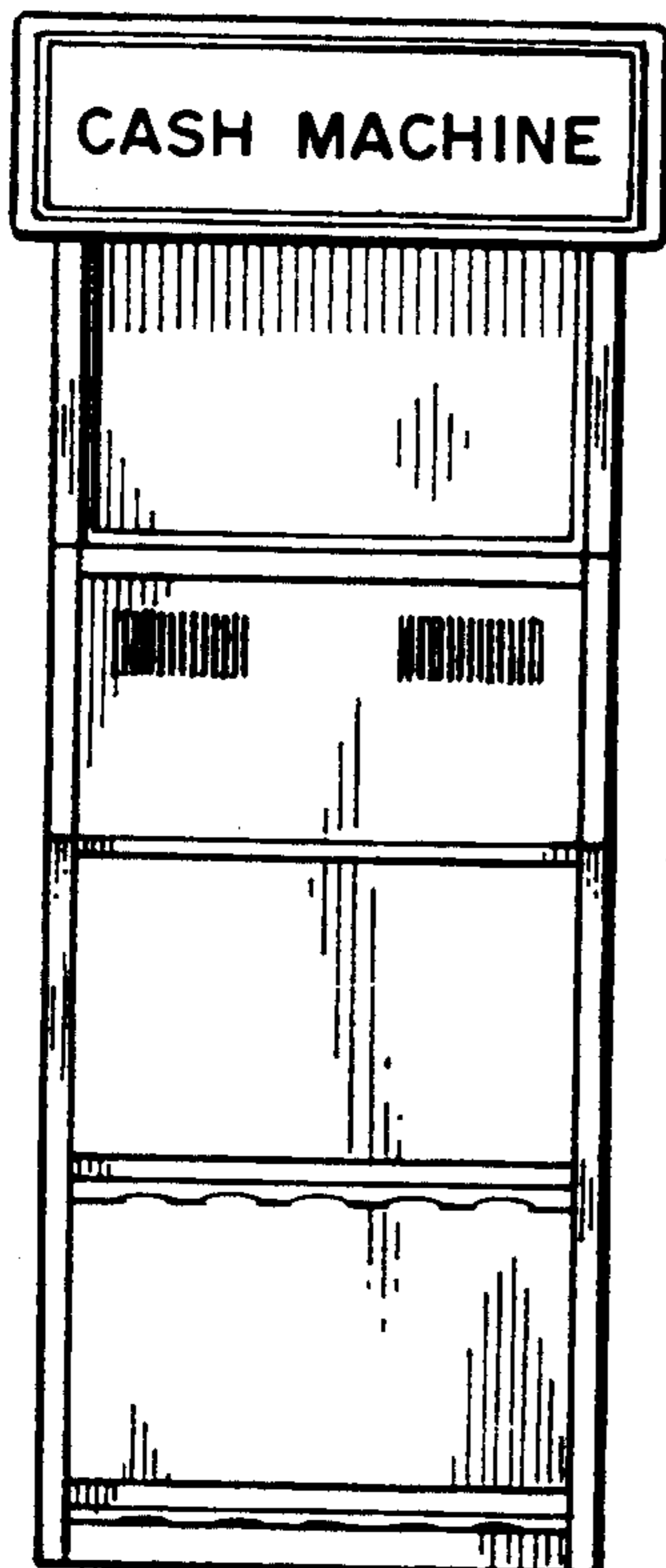


FIG. 13

