



US00D362531S

United States Patent [19]

[11] Patent Number: **Des. 362,531**

Thayer et al.

[45] Date of Patent: **** Sep. 19, 1995**

[54] **KIOSK**

D. 336,716	6/1993	Bell et al.	D99/28
4,510,381	4/1985	Fukatsu	235/379
5,017,026	5/1991	Takesako et al.	400/24

[75] Inventors: **Michael B. Thayer**, Rochester; **Timothy R. Seely**, Bergen; **Heather E. Wachter**, North Chili, all of N.Y.

Primary Examiner—Martie Thompson
Attorney, Agent, or Firm—M. Lukacher

[73] Assignee: **Factura Composites, Inc.**, Rochester, N.Y.

[57] **CLAIM**

[**] Term: **14 Years**

The ornamental design for a kiosk, as shown and described.

[21] Appl. No.: **22,768**

DESCRIPTION

[22] Filed: **May 11, 1994**

[52] U.S. Cl. **D99/28**

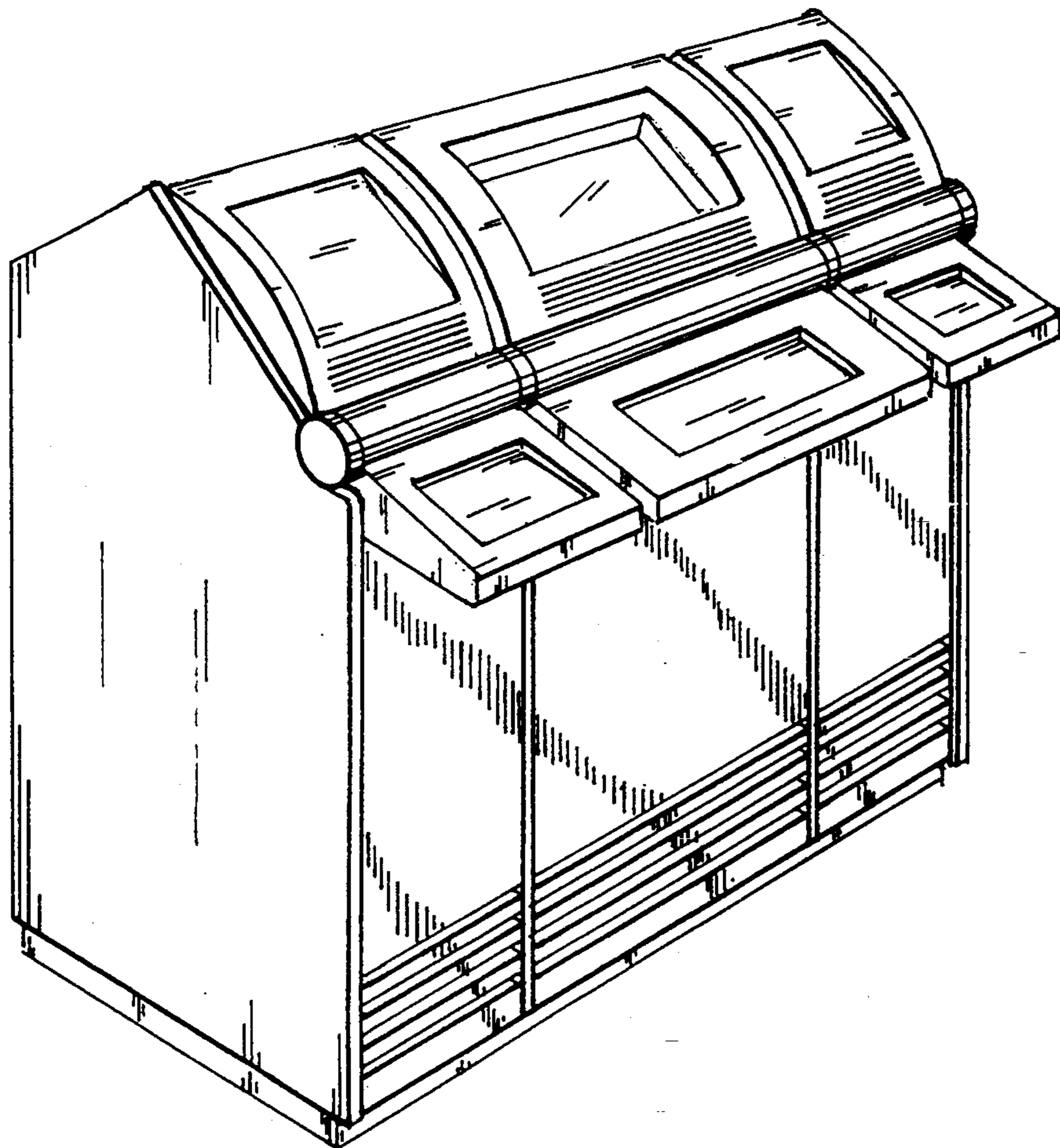
[58] Field of Search D99/28, 43, 99;
D14/100, 105, 102, 106, 115; D20/1-6;
109/24.1; 235/379, 380, 381

FIG. 1 is a front and left side perspective view of a kiosk showing the new design;
 FIG. 2 is a front elevational view;
 FIG. 3 is a right side elevational view;
 FIG. 4 is a left side elevational view;
 FIG. 5 is a rear elevational view;
 FIG. 6 is a top plan view;
 FIG. 7 is a bottom plan view;
 FIG. 8 is a front and left side perspective view of a second embodiment, the opposite side being a mirror image; the rear and bottom views are the same as the first embodiment, except as indicated in this figure; and,
 FIG. 9 is a front and left side perspective view of a third embodiment, the opposite side being a mirror image; the rear view is plain and unadorned.

[56] **References Cited**

U.S. PATENT DOCUMENTS

D. 269,822	7/1983	Barthel	D99/28
D. 303,439	9/1989	Savio et al.	D99/28
D. 317,071	5/1991	McFadden et al.	D99/28
D. 318,553	7/1991	Brown	D99/28
D. 318,553	7/1991	Brown	D99/28
D. 323,656	2/1992	McGarvey et al.	D14/146
D. 327,766	7/1992	Swaine et al.	D99/28



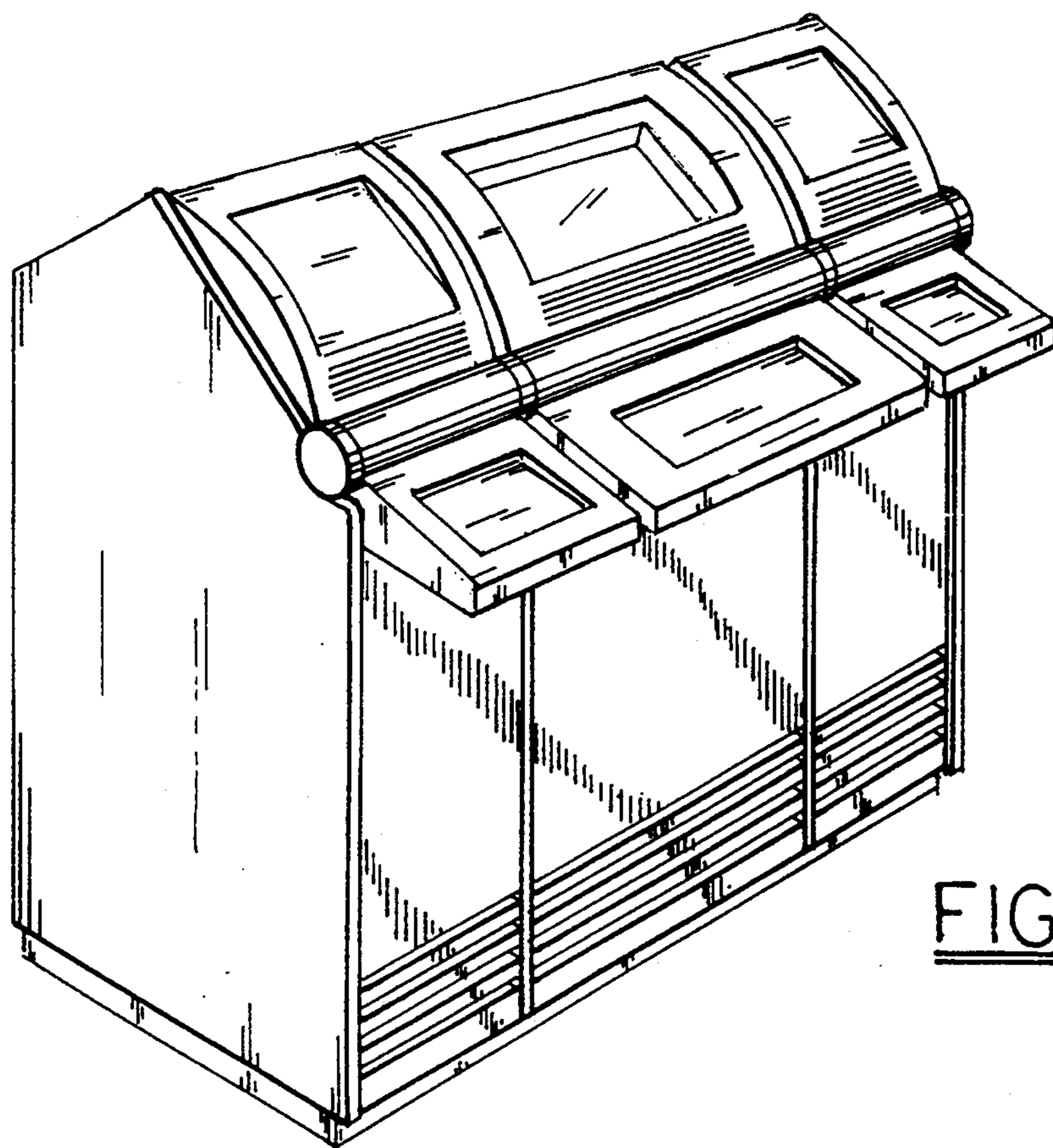


FIG. 1

FIG. 2

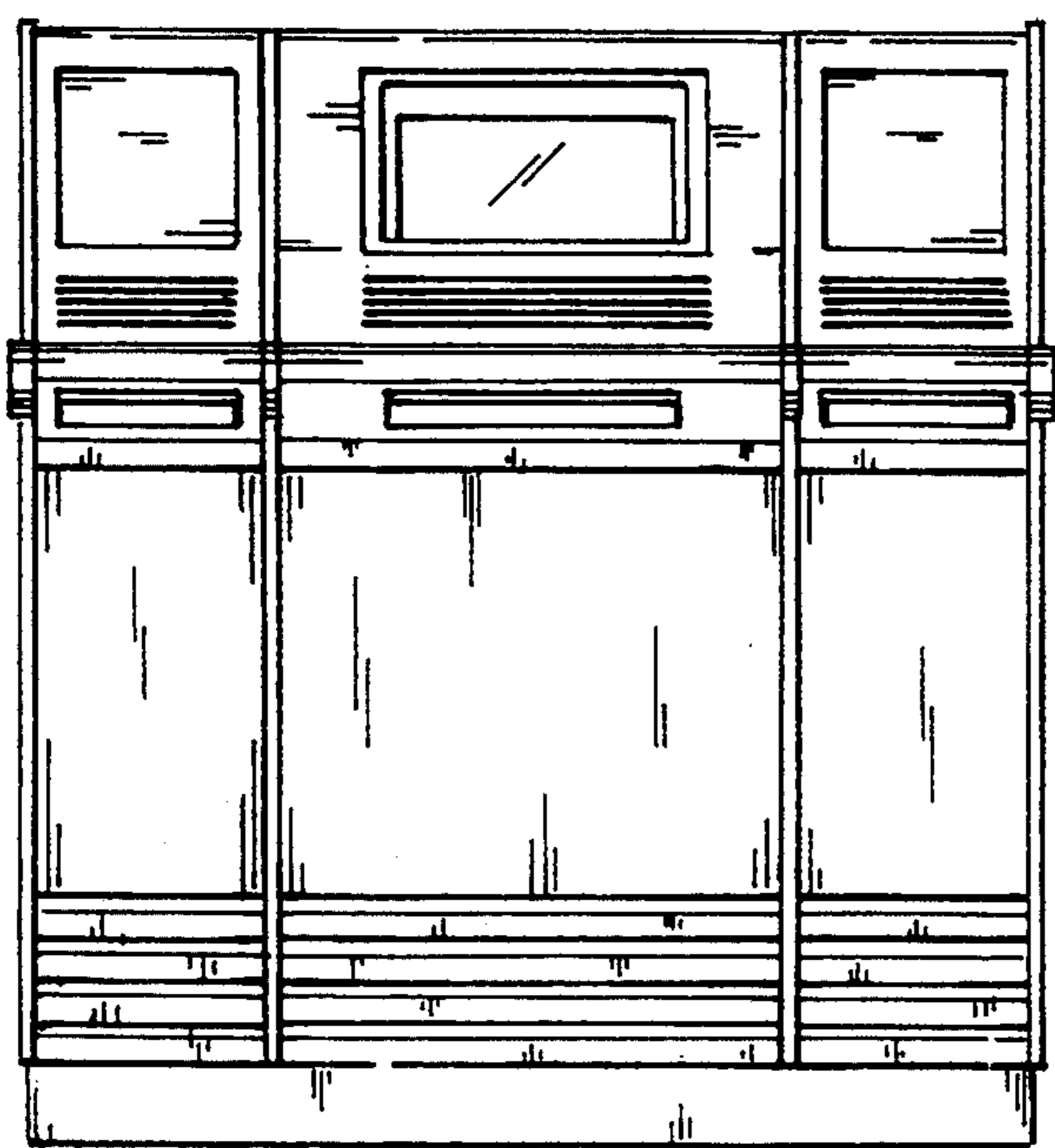
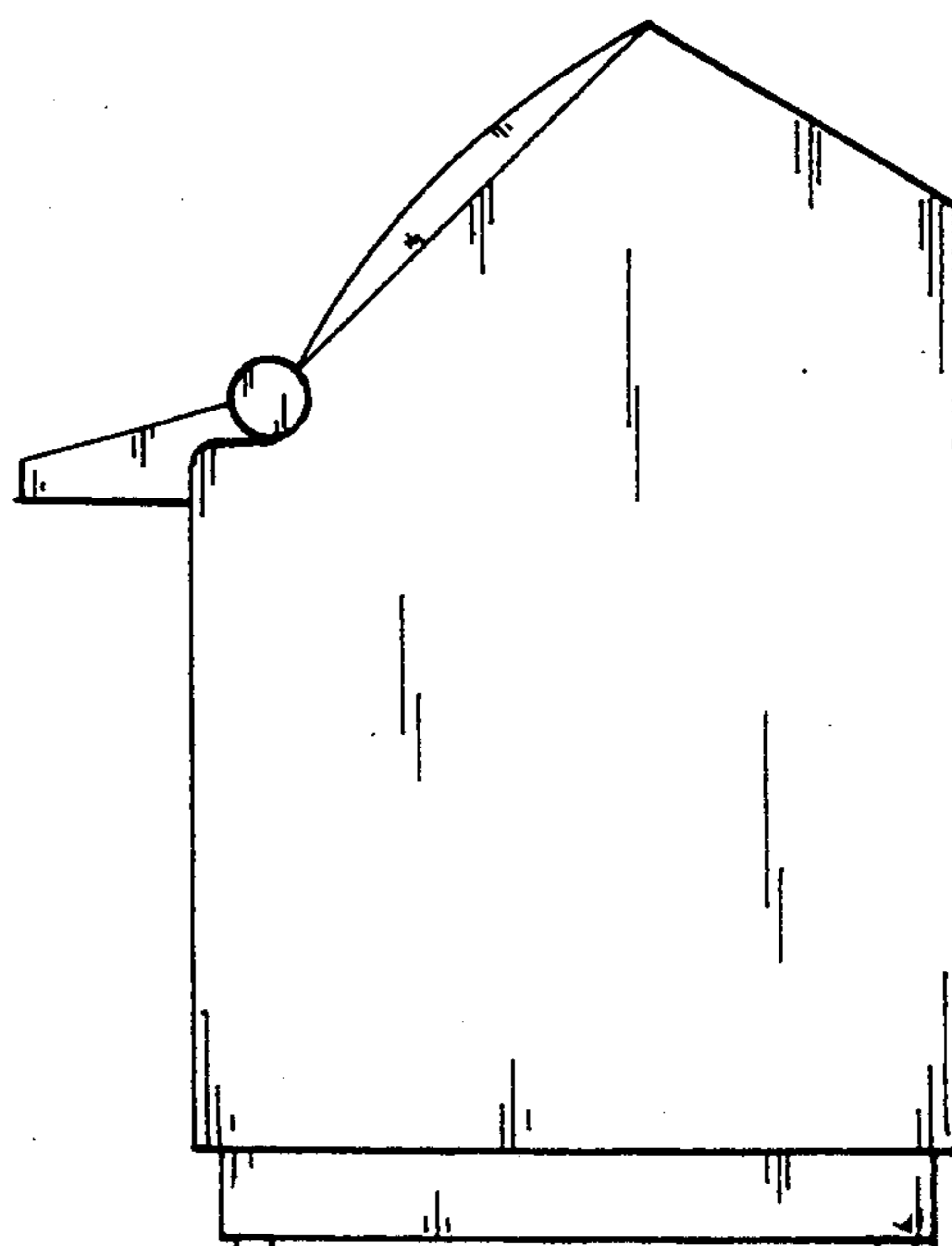


FIG. 3



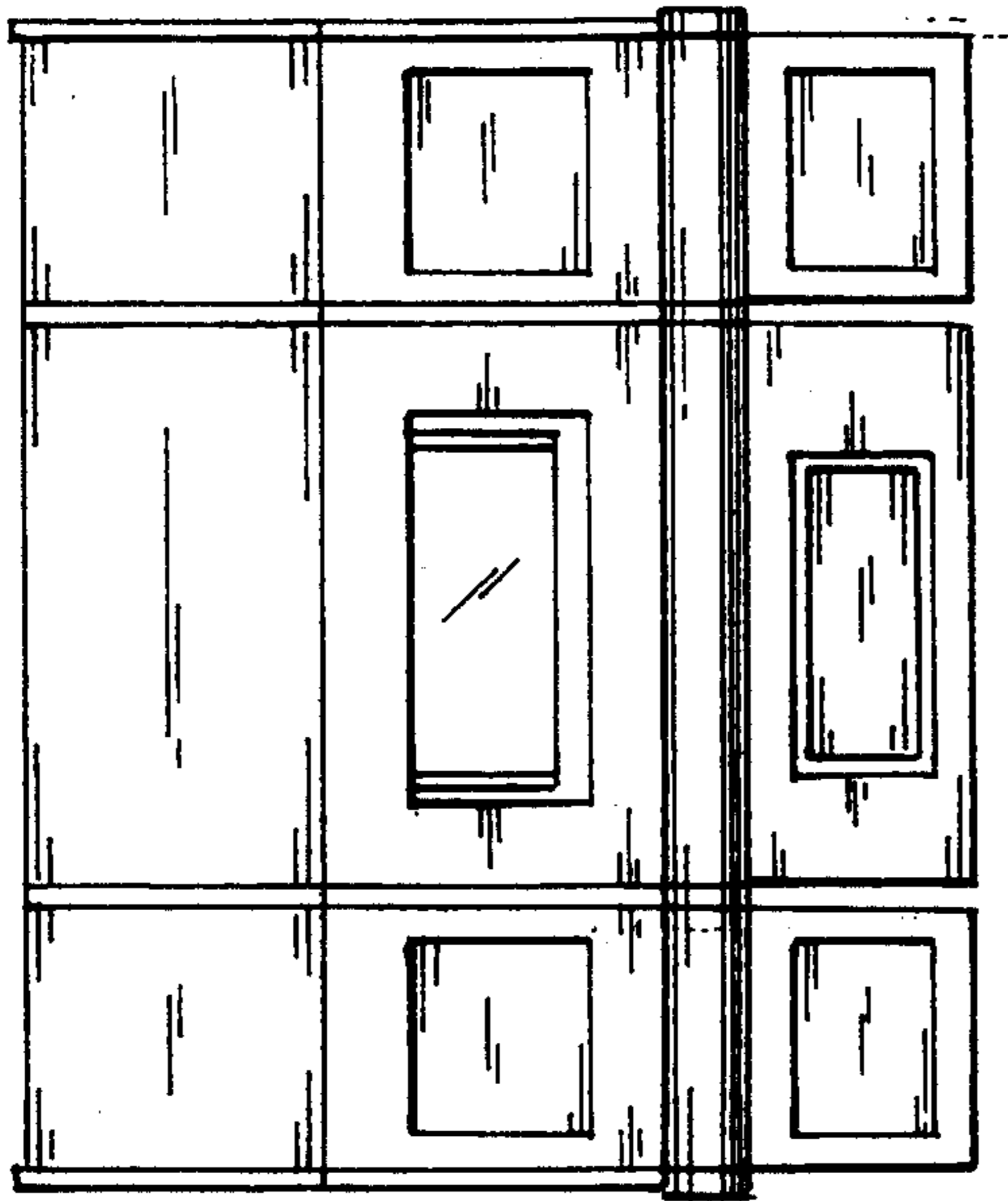


FIG. 6

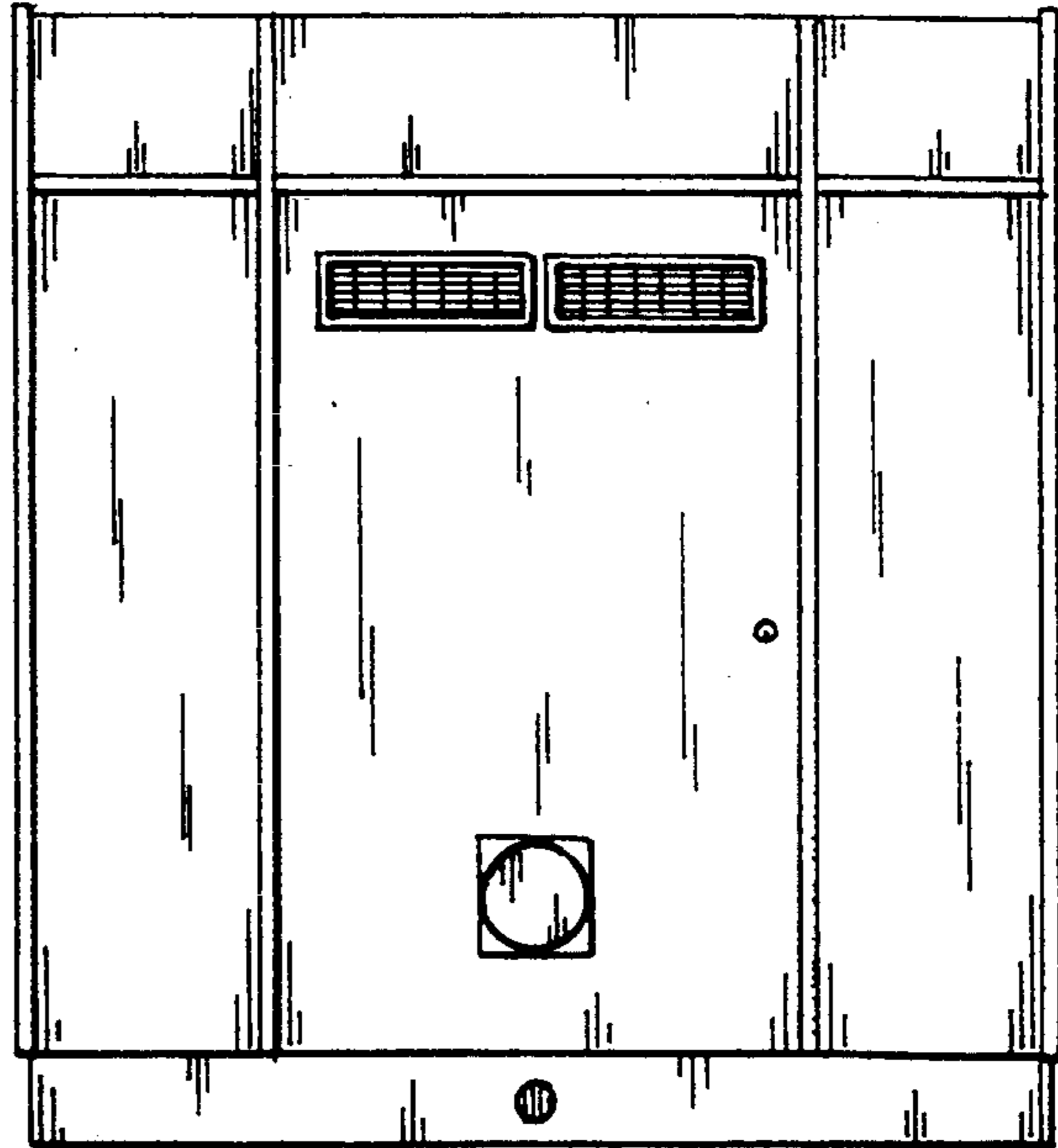


FIG. 5

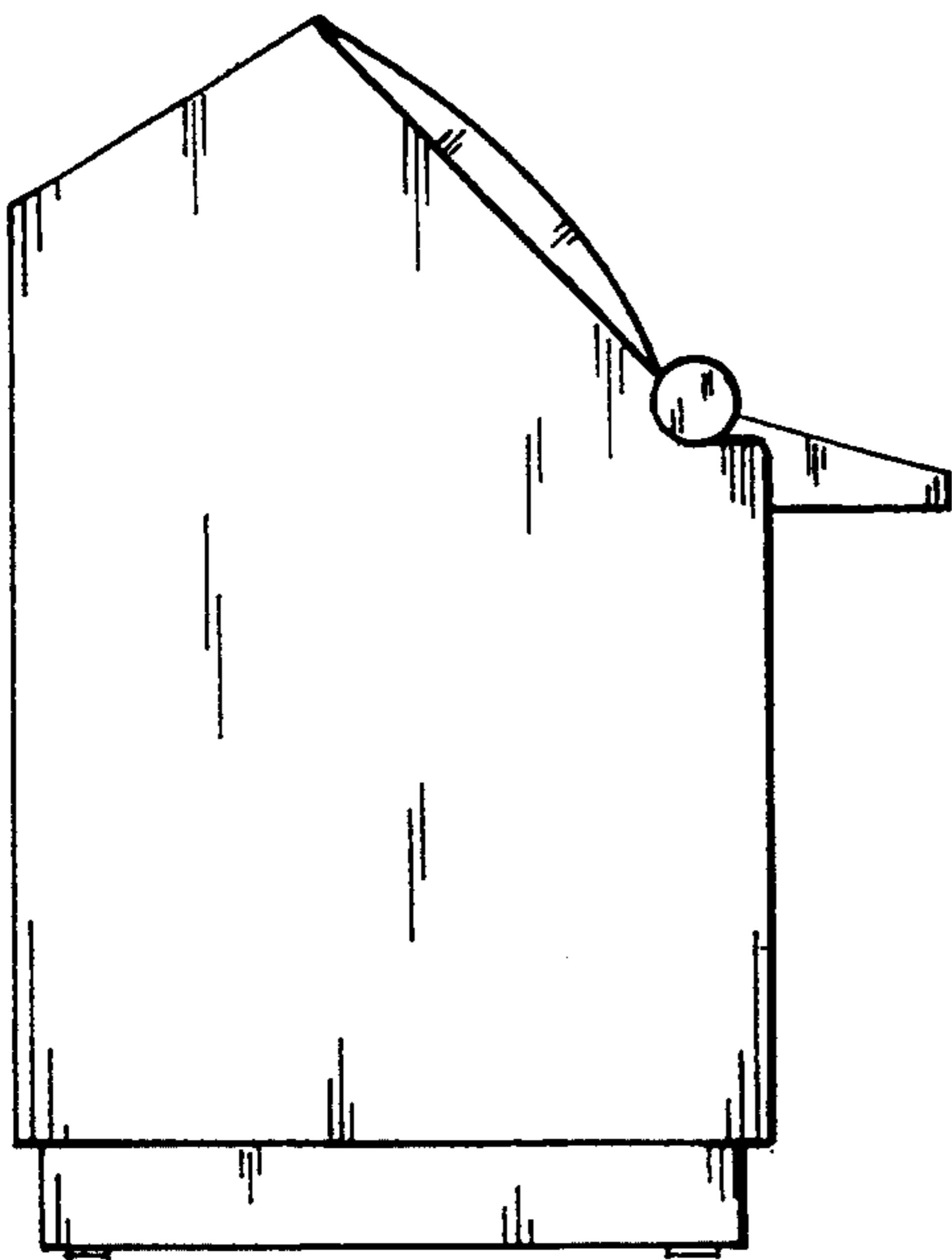


FIG. 4

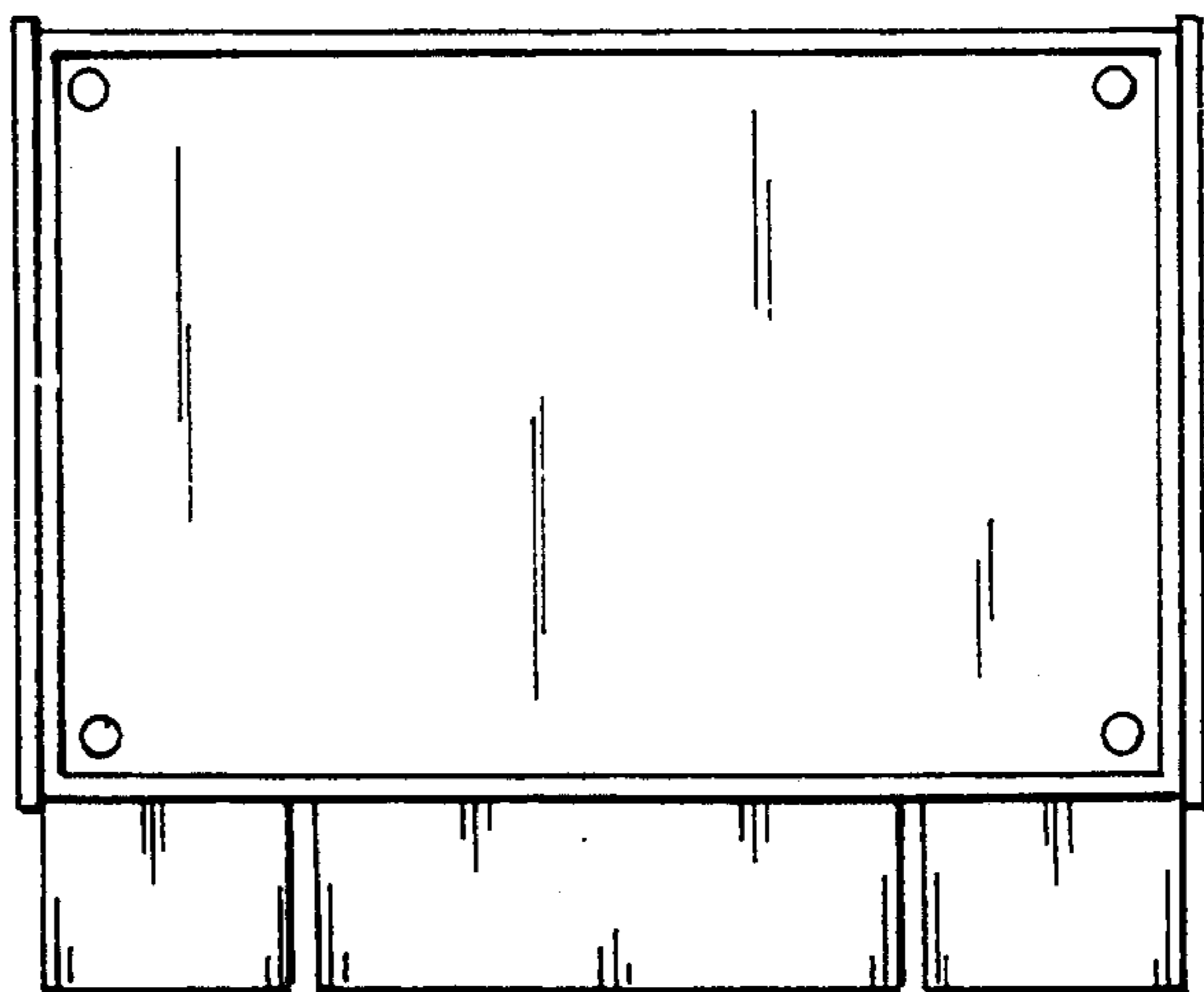


FIG. 7

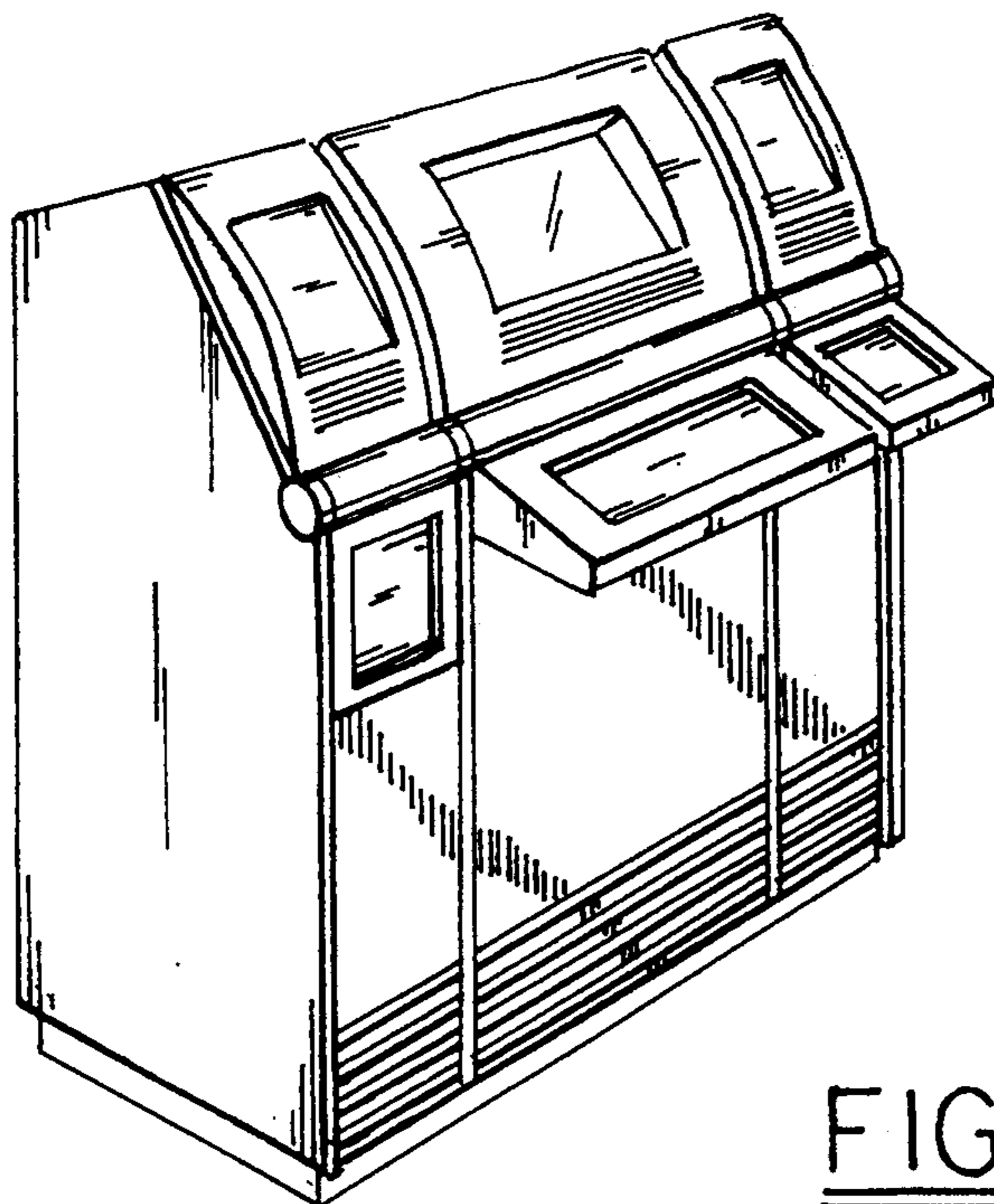


FIG. 8

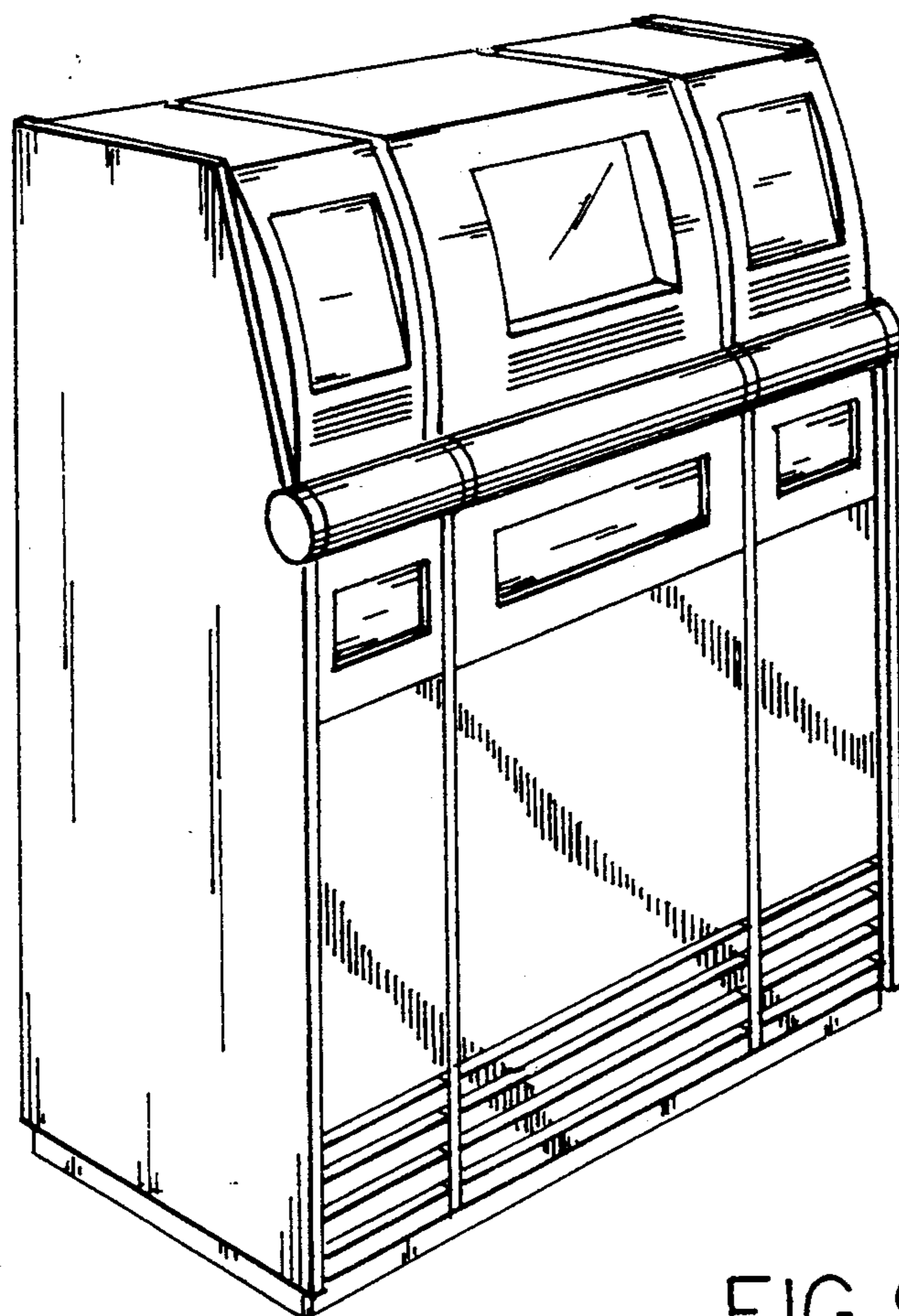


FIG. 9