



US00D362530S

United States Patent [19]

[11] Patent Number: **Des. 362,530**

Rosenkranz

[45] Date of Patent: **** Sep. 19, 1995**

[54] **STATIONARY LIFT**

[75] Inventor: **Alan Rosenkranz, Riviera Beach, Fla.**

[73] Assignee: **United Associates Group, Inc., Riviera Beach, Fla.**

[**] Term: **14 Years**

[21] Appl. No.: **16,624**

[22] Filed: **Feb. 1, 1994**

[52] U.S. Cl. **D34/28**

[58] Field of Search **D34/28, 31, 33; 254/93 R, 93 VA, 93 L, 93 H, 89 H, 84, 133 R, 134, 423**

[56] **References Cited**

U.S. PATENT DOCUMENTS

D. 170,301	9/1953	Branick	254/134
D. 348,966	7/1994	Guyton	D34/31
2,926,888	3/1960	Schultz	254/2 B
4,014,515	3/1977	Graafsma	254/93 R
4,645,181	2/1987	Schapansky	254/2 B

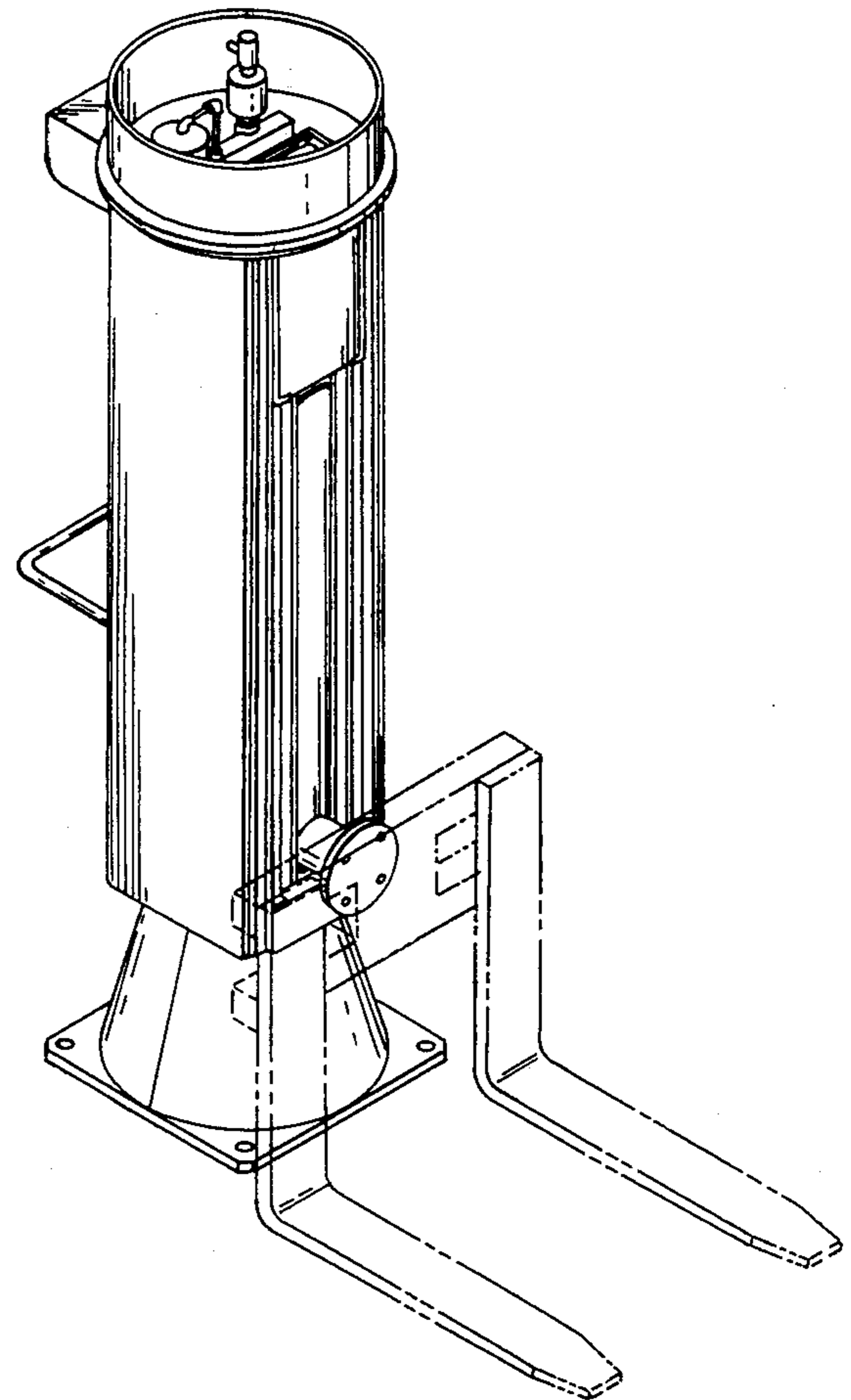
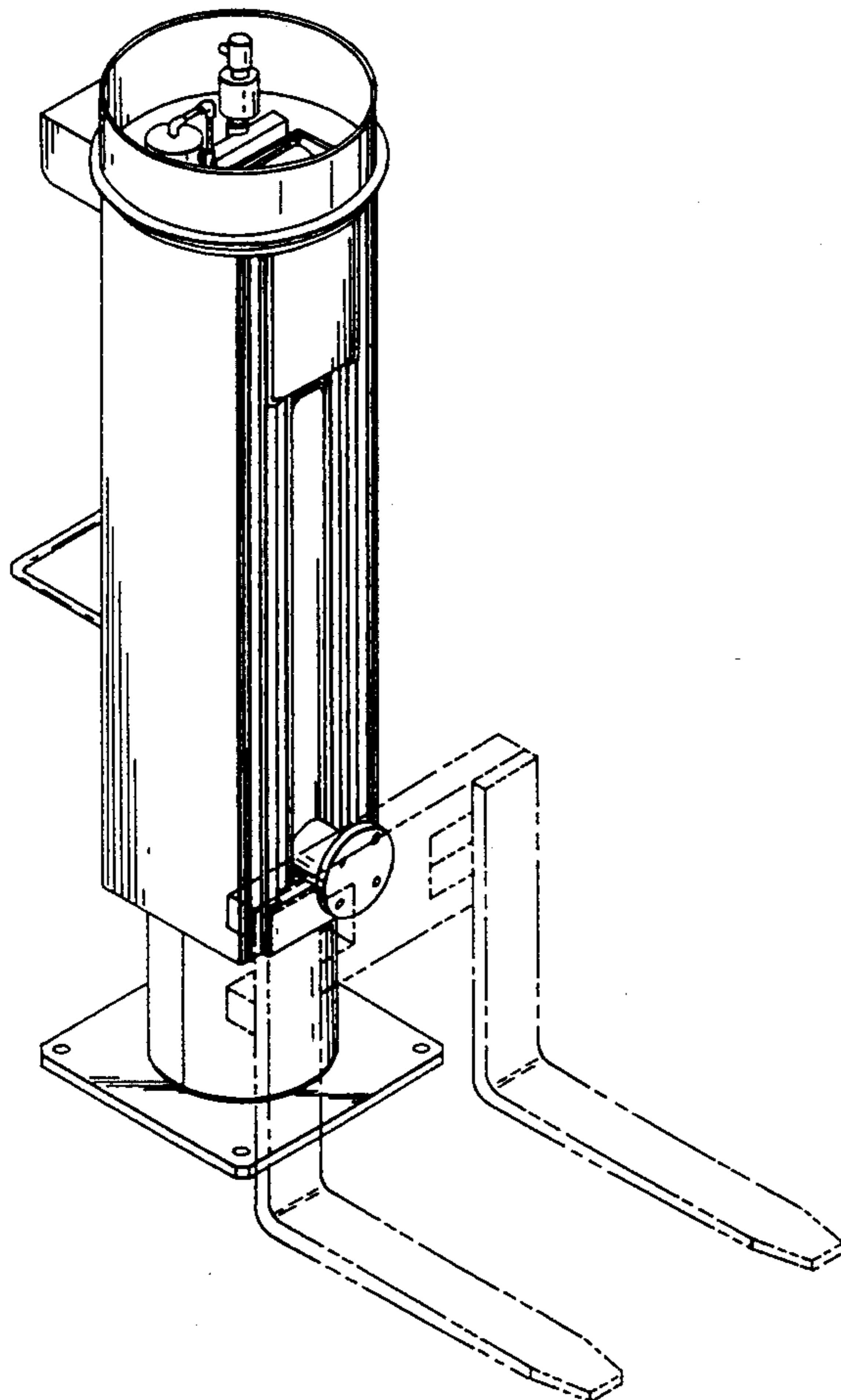
Primary Examiner—Brian N. Vinson
Assistant Examiner—Robin V. Taylor
Attorney, Agent, or Firm—Seidel Gonda Lavorgna & Monaco

[57] **CLAIM**

The ornamental design for a stationary lift, as shown and described.

DESCRIPTION

FIG. 1 is a front, side perspective view of a stationary lift showing my new design;
FIG. 2 is a front elevational view thereof;
FIG. 3 is a left side elevational view thereof;
FIG. 4 is a right side elevational view thereof;
FIG. 5 is a rear elevational view thereof;
FIG. 6 is a top plan view thereof;
FIG. 7 is a bottom plan view thereof; and,
FIG. 8 is a front, side perspective view of an alternate embodiment thereof.
The broken line showing of a material handling tool is for illustrative purposes only and forms no part of the claimed design.



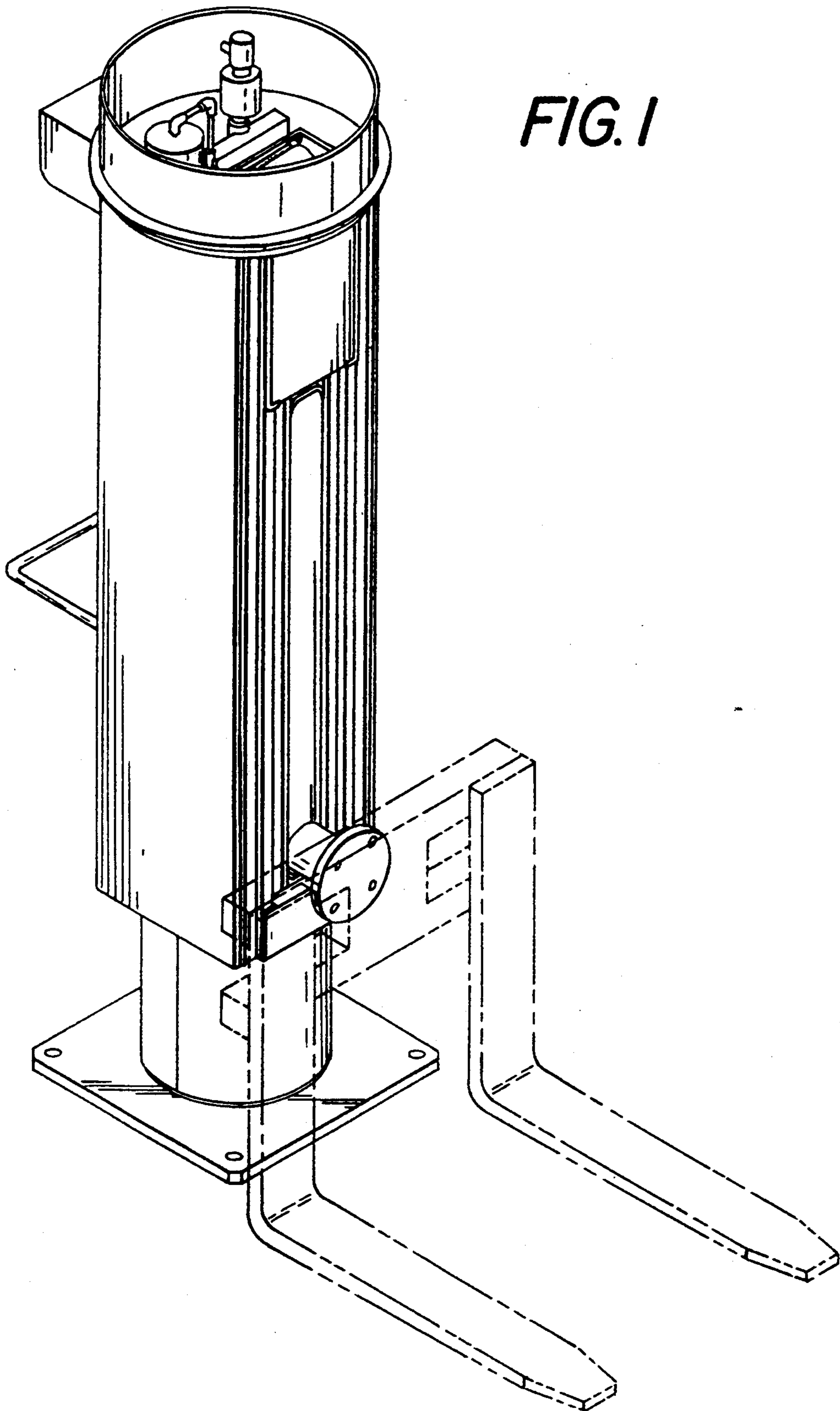


FIG. 2

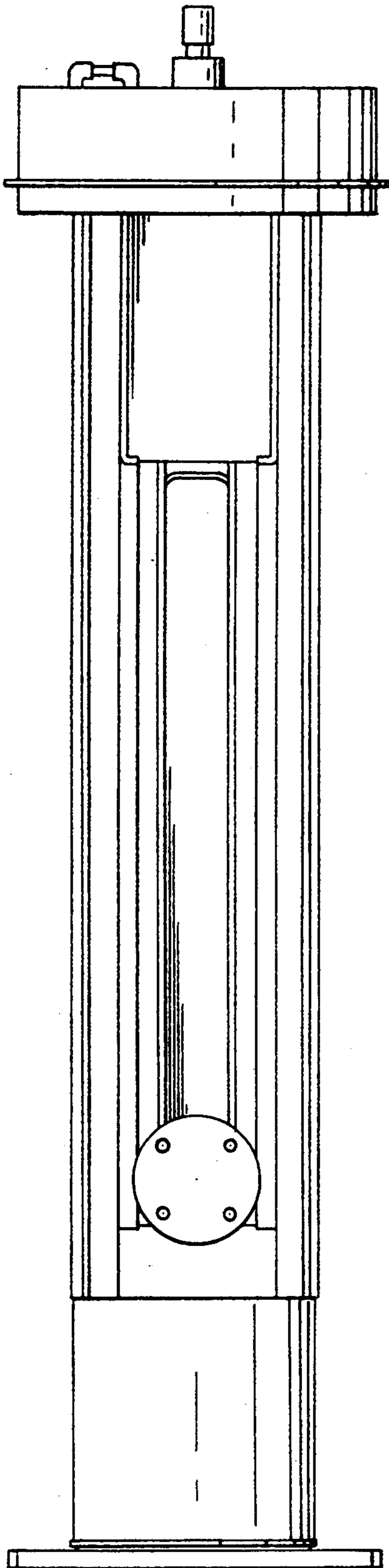


FIG. 3

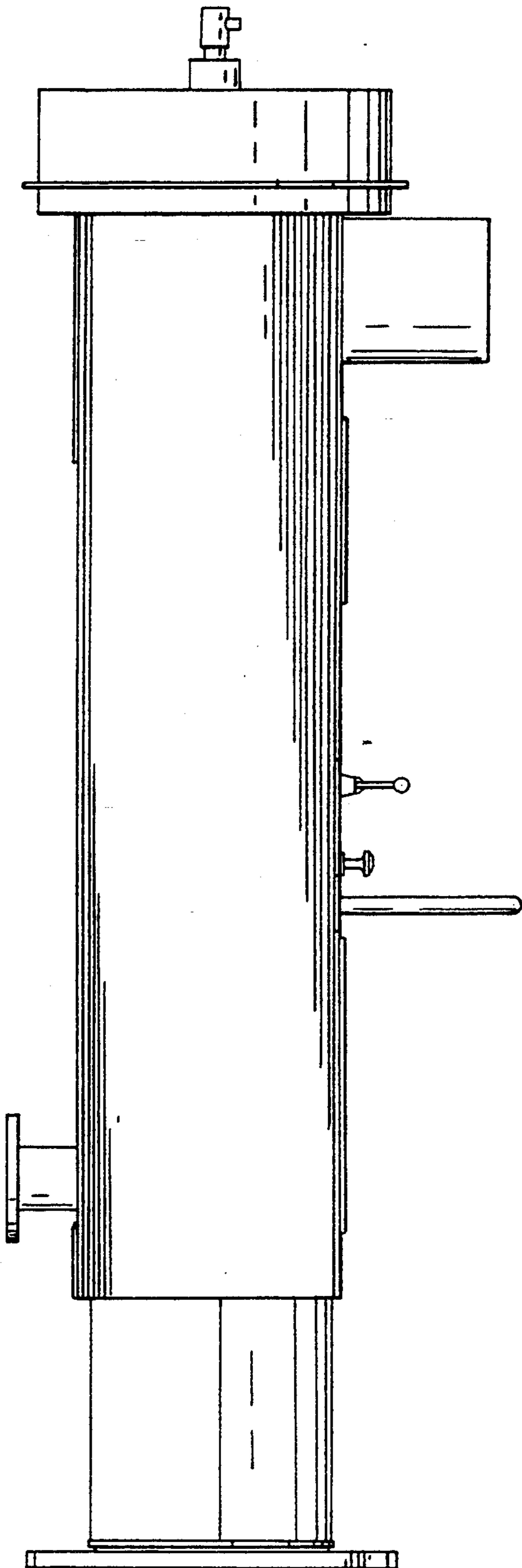


FIG. 4

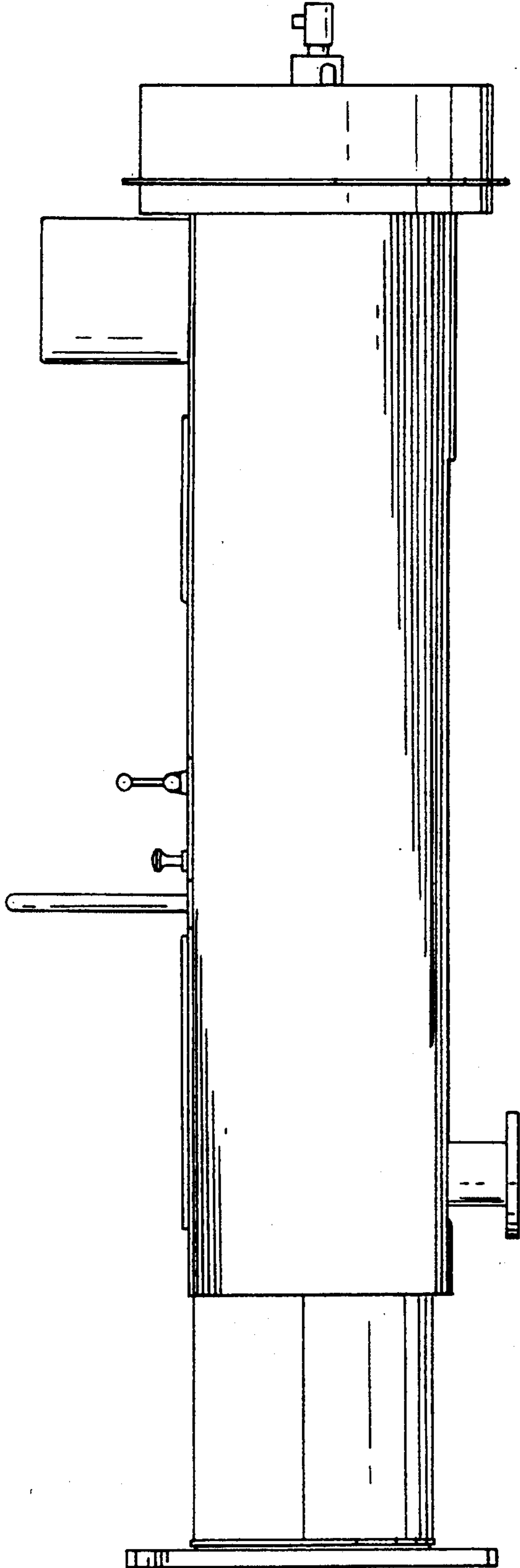


FIG. 5

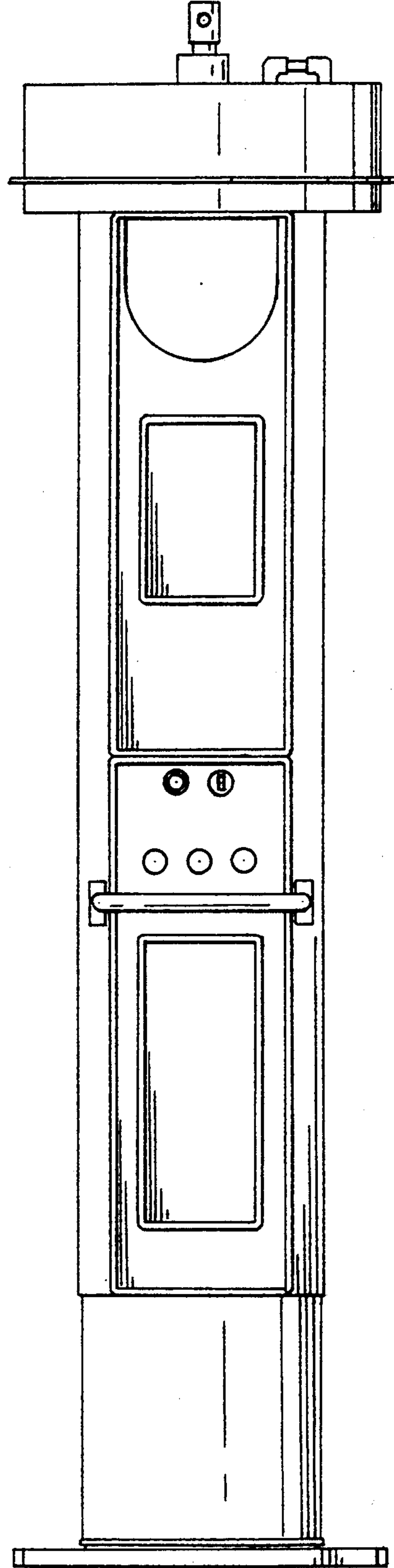


FIG. 6

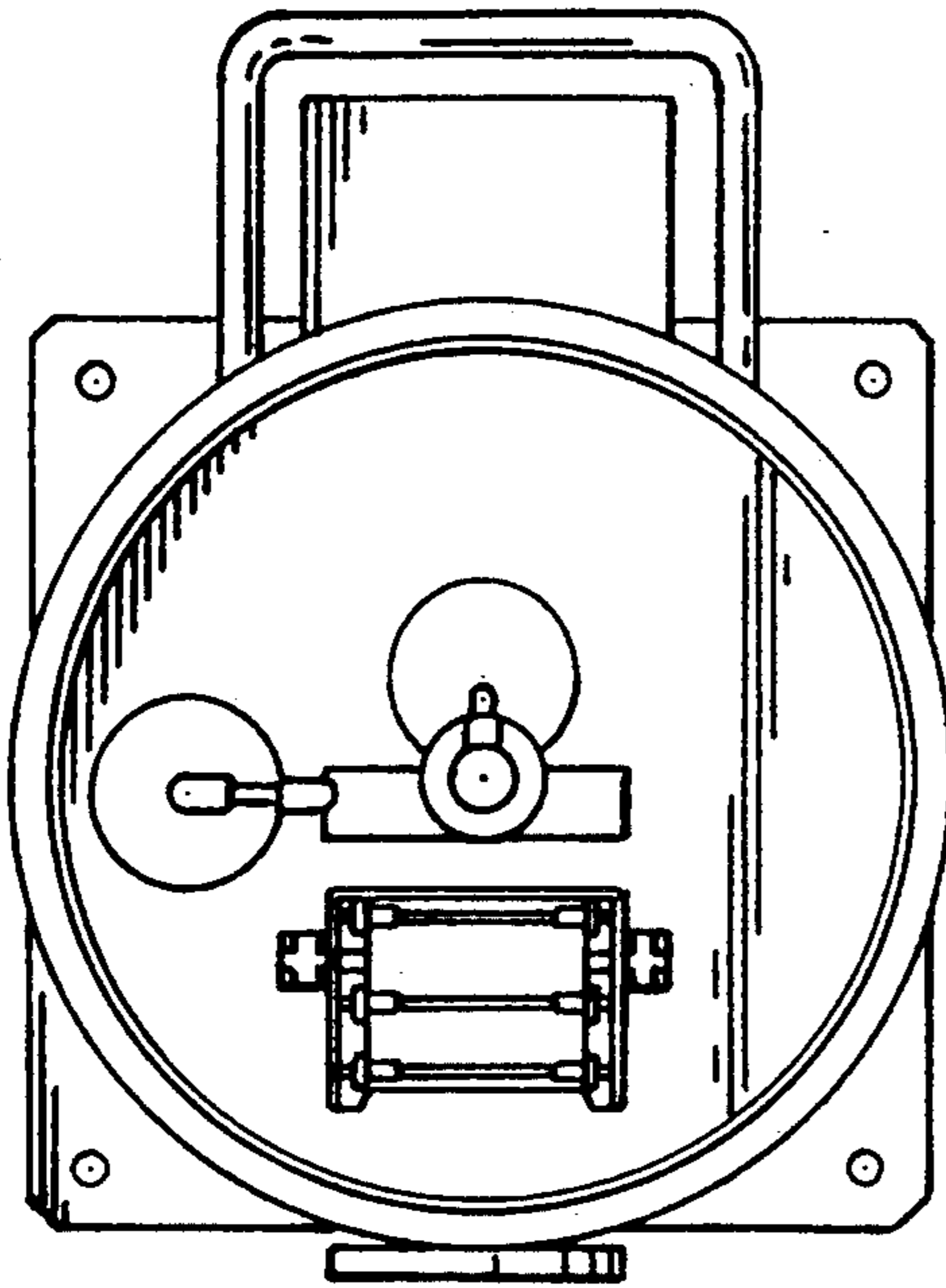


FIG. 7

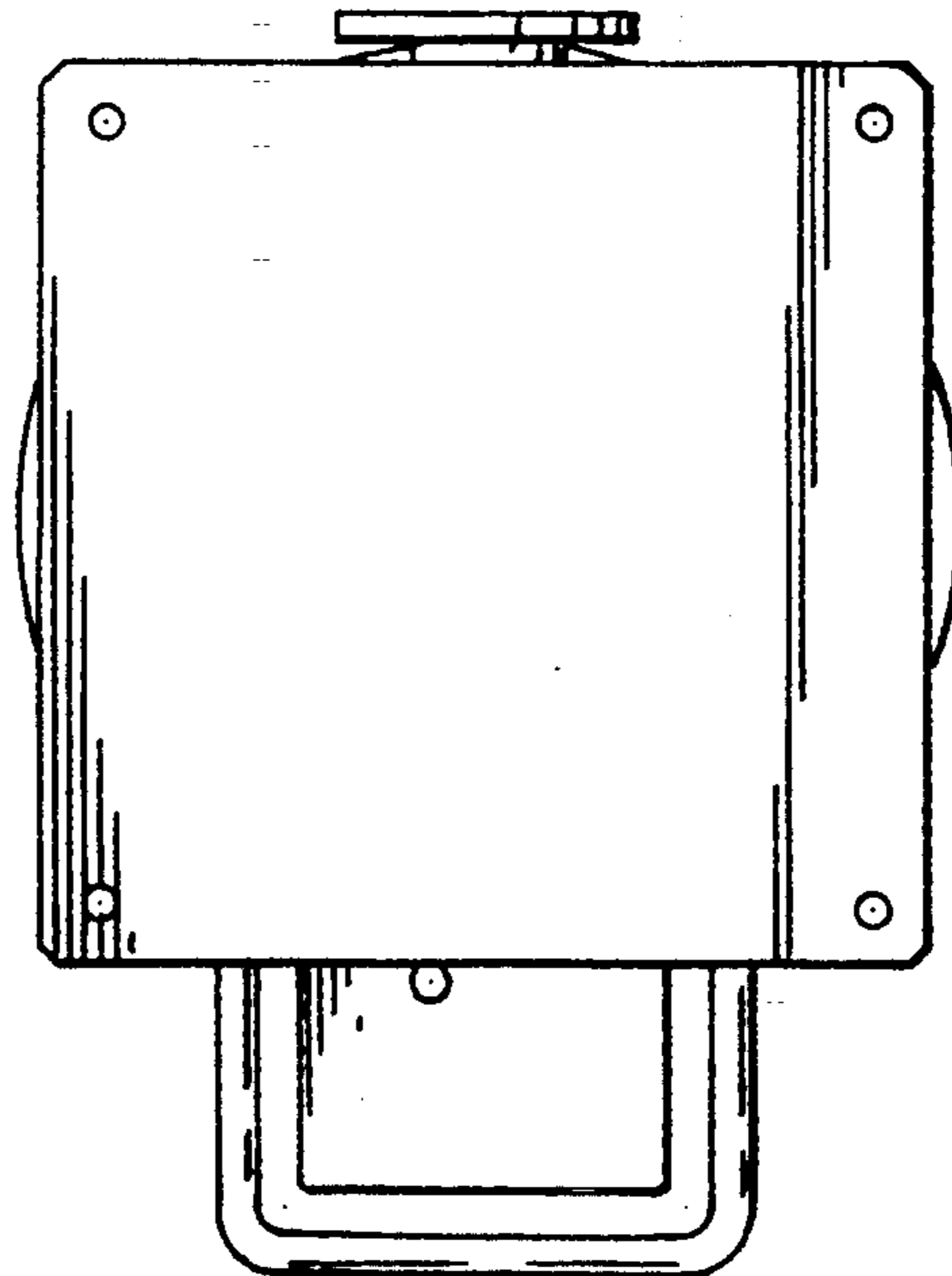


FIG. 8

