



US00D362529S

# United States Patent [19]

[11] Patent Number: **Des. 362,529**

Hilaire, Jr. et al.

[45] Date of Patent: **\*\* Sep. 19, 1995**

[54] SHOPPING CART MANUAL BRAKES

4,767,128	8/1988	Terhune .....	188/19
4,793,445	12/1988	Collignon et al. ....	188/19
5,373,917	12/1994	Kamman .....	188/1.12

[76] Inventors: **Stephen Hilaire, Jr.; Mary J. Hilaire,**  
both of 52 Imperial Park Dr.,  
Middletown, N.Y. 10940

*Primary Examiner*—Kay H. Chin

[\*\*] Term: **14 Years**

[57] **CLAIM**

[21] Appl. No.: **25,504**

The ornamental design for a shopping cart manual brakes, as shown and described.

[22] Filed: **Jul. 5, 1994**

**DESCRIPTION**

[52] U.S. Cl. .... **D34/27; 188/19**

[58] Field of Search ..... **D34/27, 19; 280/33.994;**  
**188/1.12, 19, 20, 29**

FIG. 1 is a front elevational view of the shopping cart manual brakes showing my new design;  
FIG. 2 is a rear elevational view thereof;  
FIG. 3 is a left side elevational view thereof;  
FIG. 4 is a right side elevational view thereof;  
FIG. 5 is a top plan view thereof;  
FIG. 6 is a bottom plan view thereof; and,  
FIG. 7 is an isometric view showing a use thereof.

[56] **References Cited**

**U.S. PATENT DOCUMENTS**

4,387,908	6/1983	Kroger et al. ....	188/19
4,679,662	7/1987	Nordskog .....	188/19

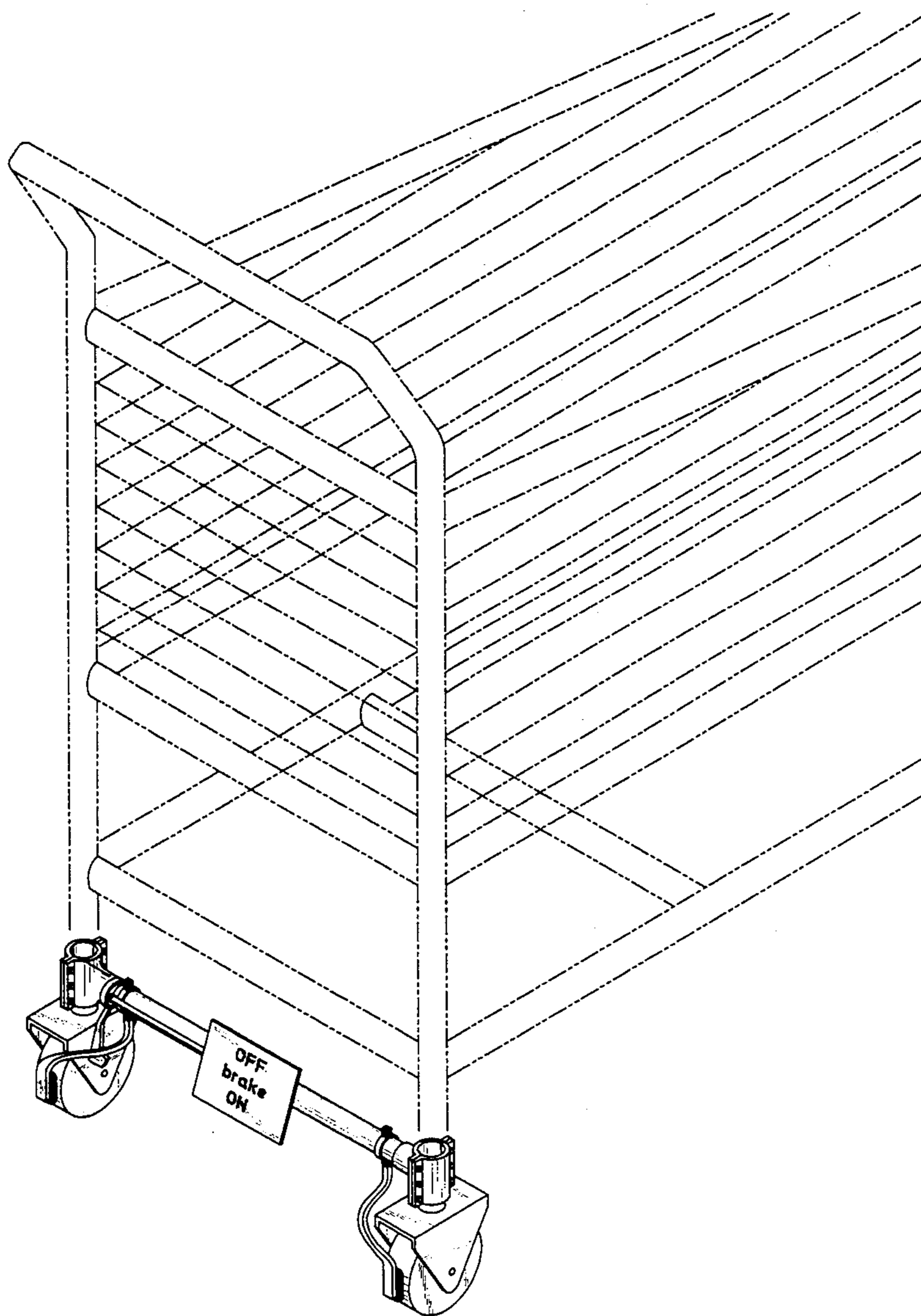


FIG. 1

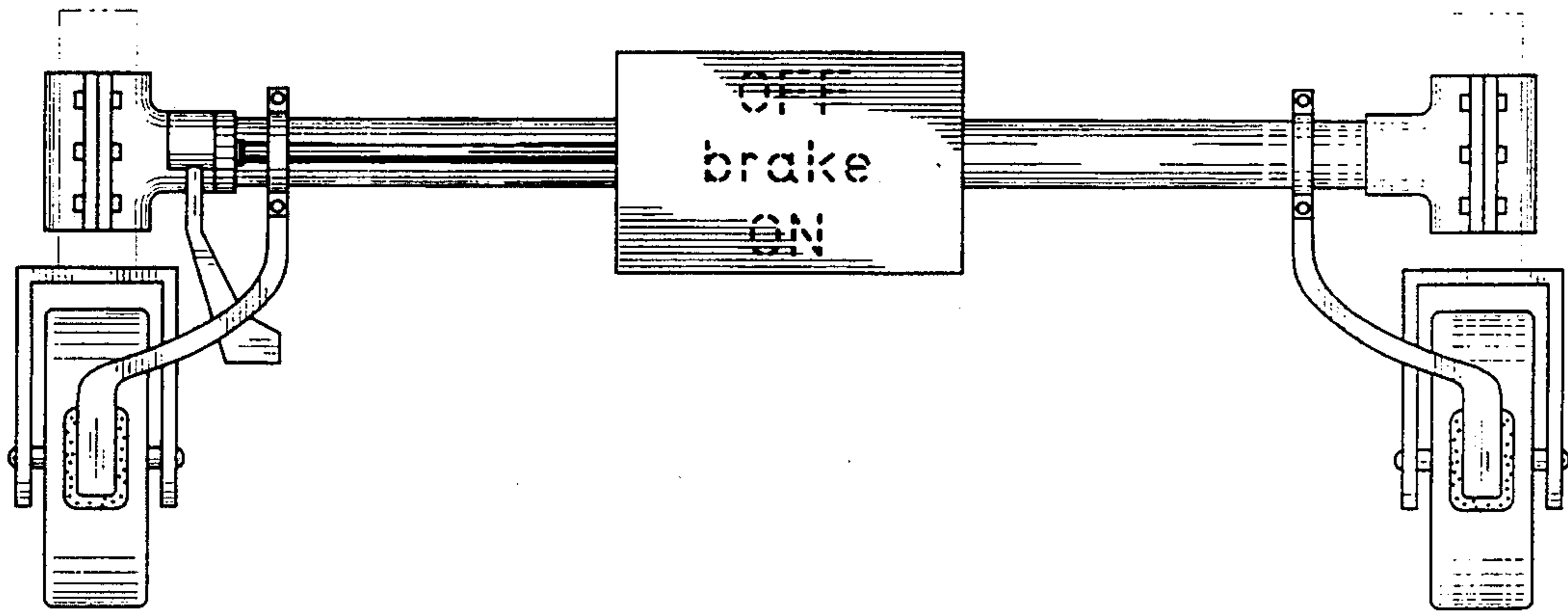


FIG. 2

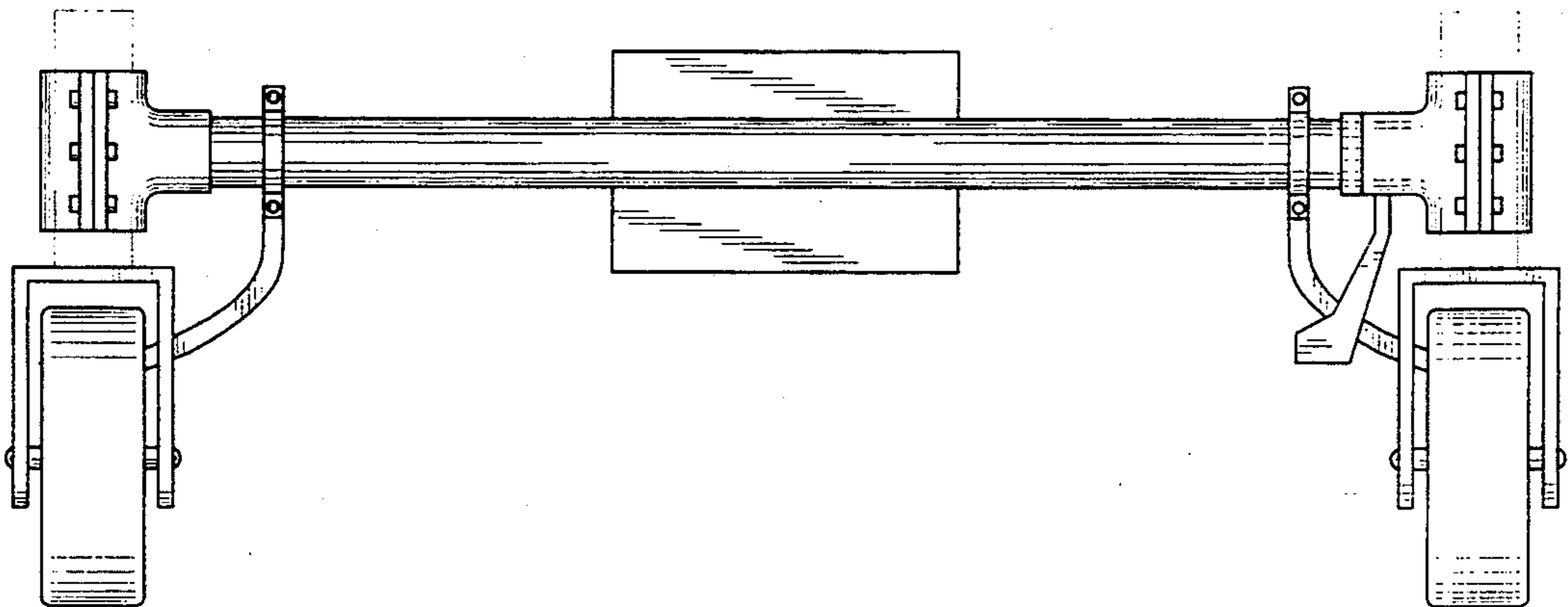


FIG. 3

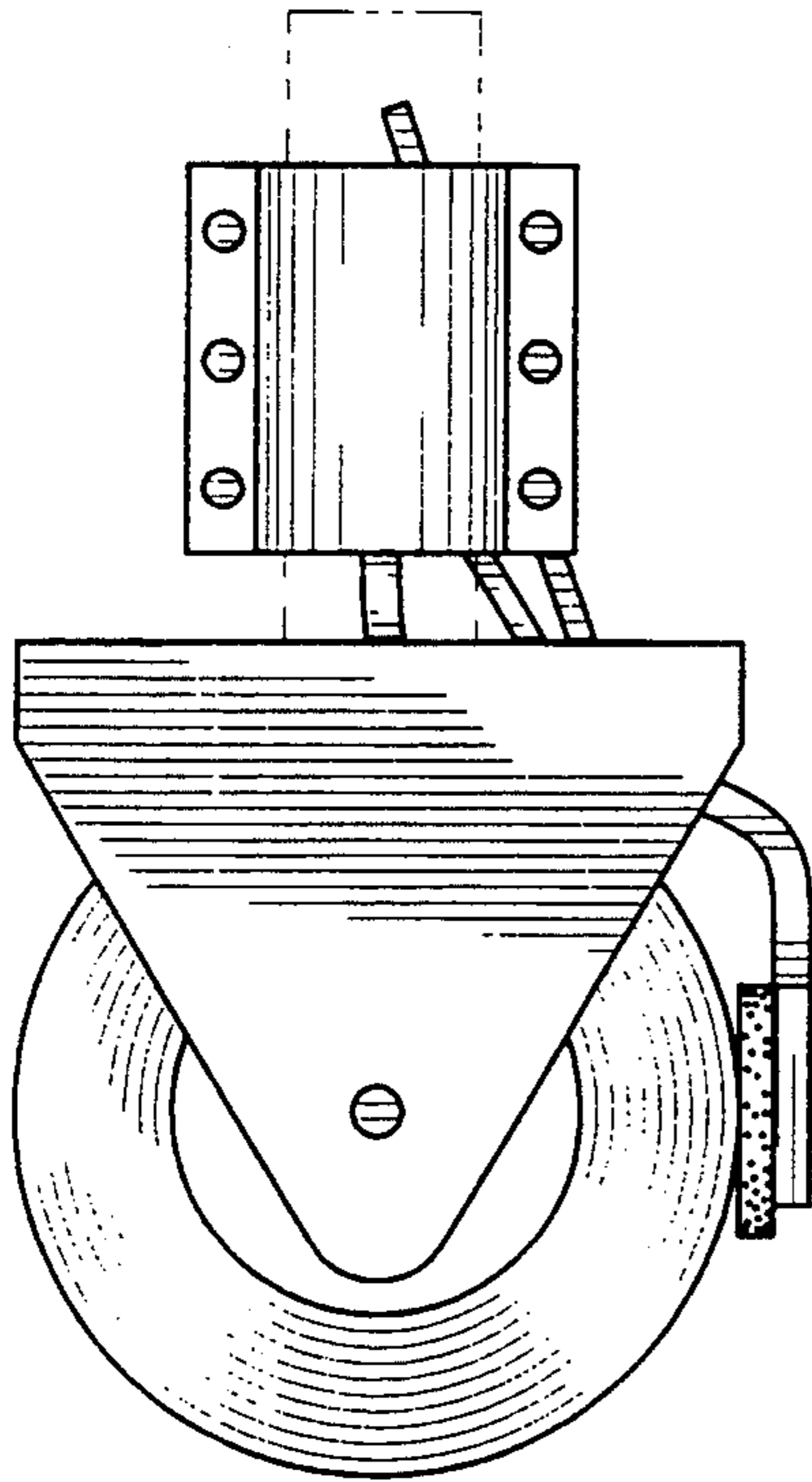


FIG. 4

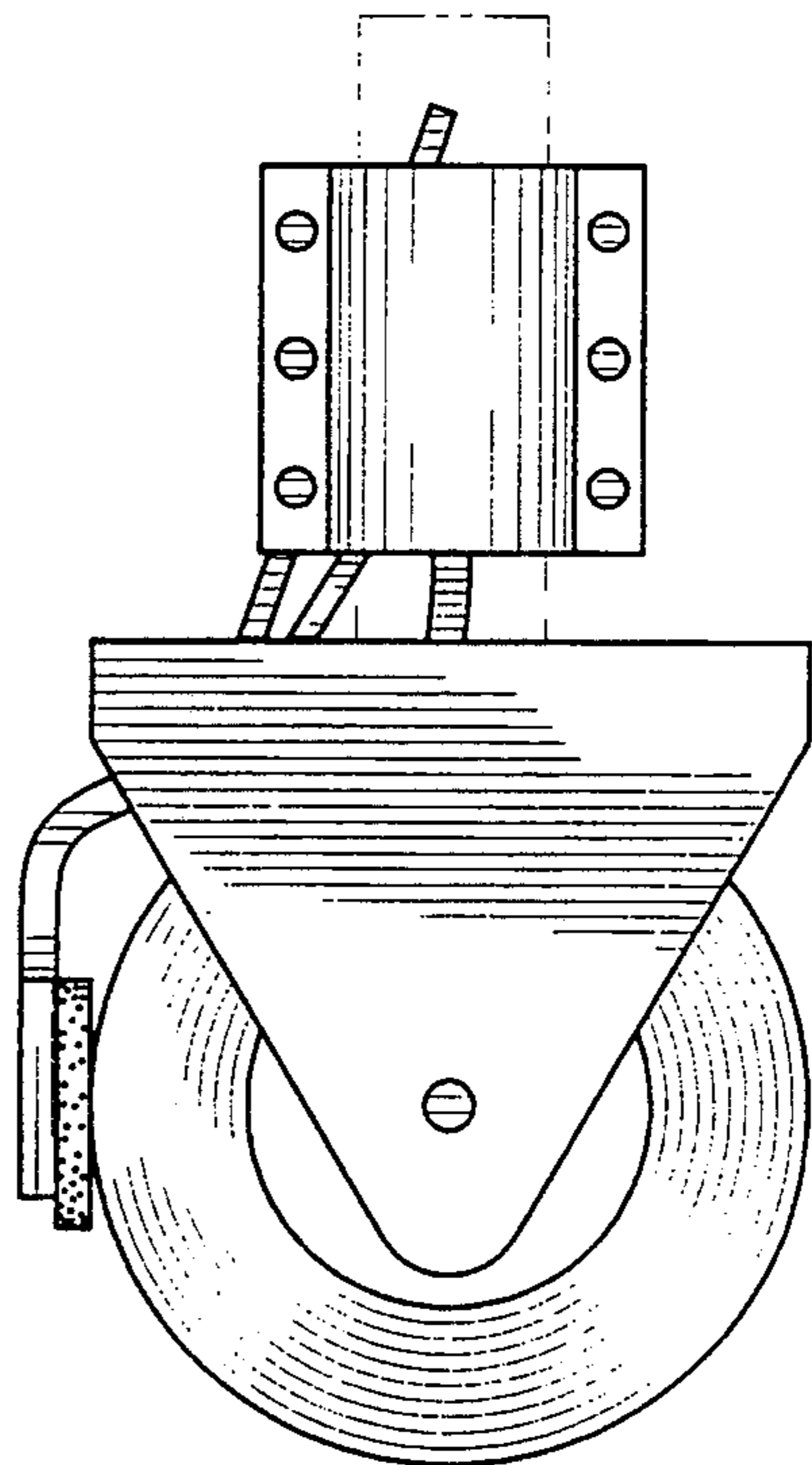


FIG. 5

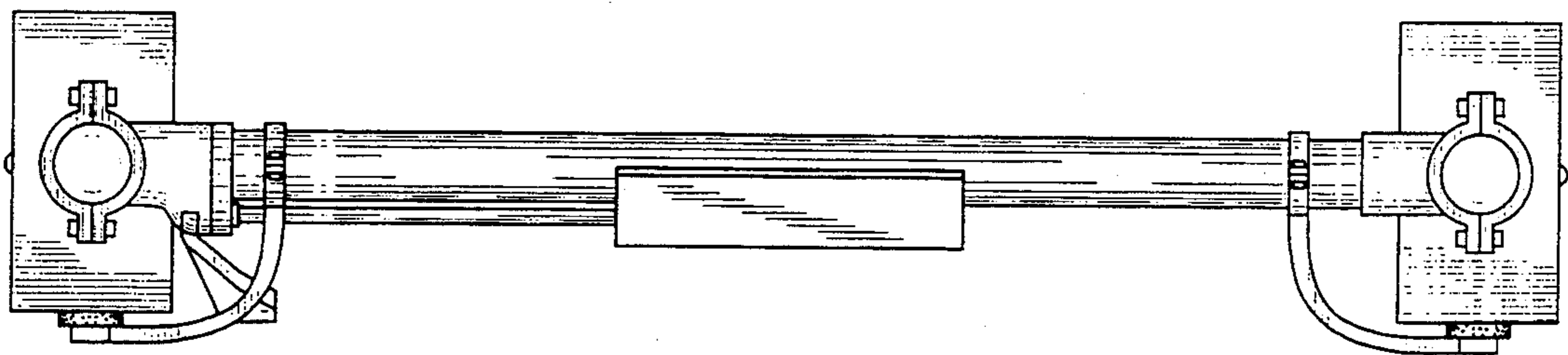


FIG. 6

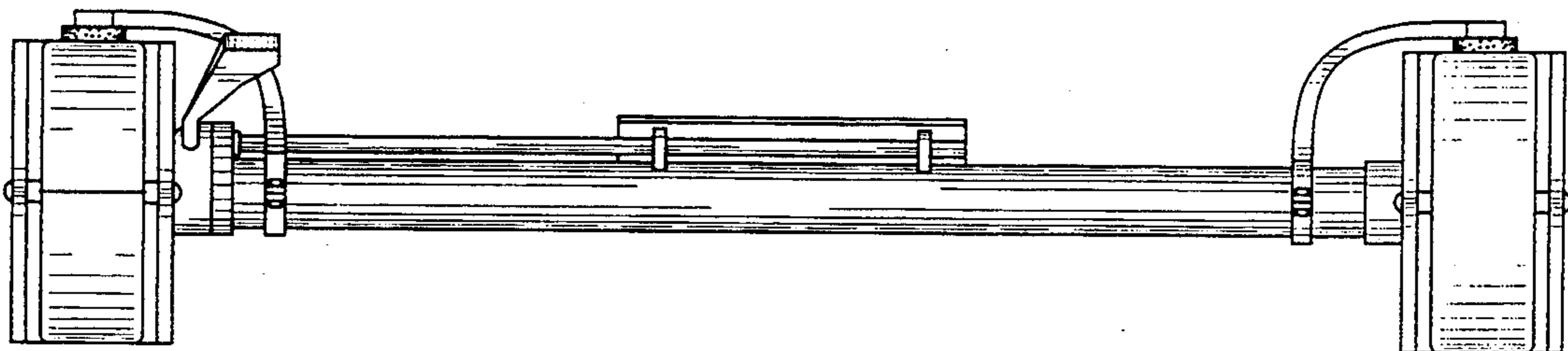


FIG. 7

