



US00D362522S

United States Patent [19]

[11] Patent Number: **Des. 362,522**

Köhler

[45] Date of Patent: **** Sep. 19, 1995**

[54] **VACUUM CLEANER**

[75] Inventor: **Bernd Köhler, Hanau-Steinheim, Germany**

[73] Assignee: **Rowenta-Werke GmbH, Offenbach A.M, Germany**

[**] Term: **14 Years**

[21] Appl. No.: **19,068**

[22] Filed: **Feb. 22, 1994**

[30] **Foreign Application Priority Data**

Aug. 21, 1993 [DE] Germany M 93 06 467.5

[52] U.S. Cl. **D32/23**

[58] Field of Search D32/21, 23, 24;
15/327.1, 327.2, 327.4, 320-321, 323, 353, 347,
328

[56] **References Cited**

U.S. PATENT DOCUMENTS

D. 178,199 7/1956 Martinec D32/23

- D. 255,357 6/1980 Brooks et al. D32/23
- D. 266,612 10/1982 Hug D32/23
- D. 280,768 9/1985 Ferraris et al. D32/23
- D. 324,930 3/1992 Pino D32/23
- D. 335,555 5/1993 Reath D32/21
- D. 338,294 8/1993 Kohler D32/23

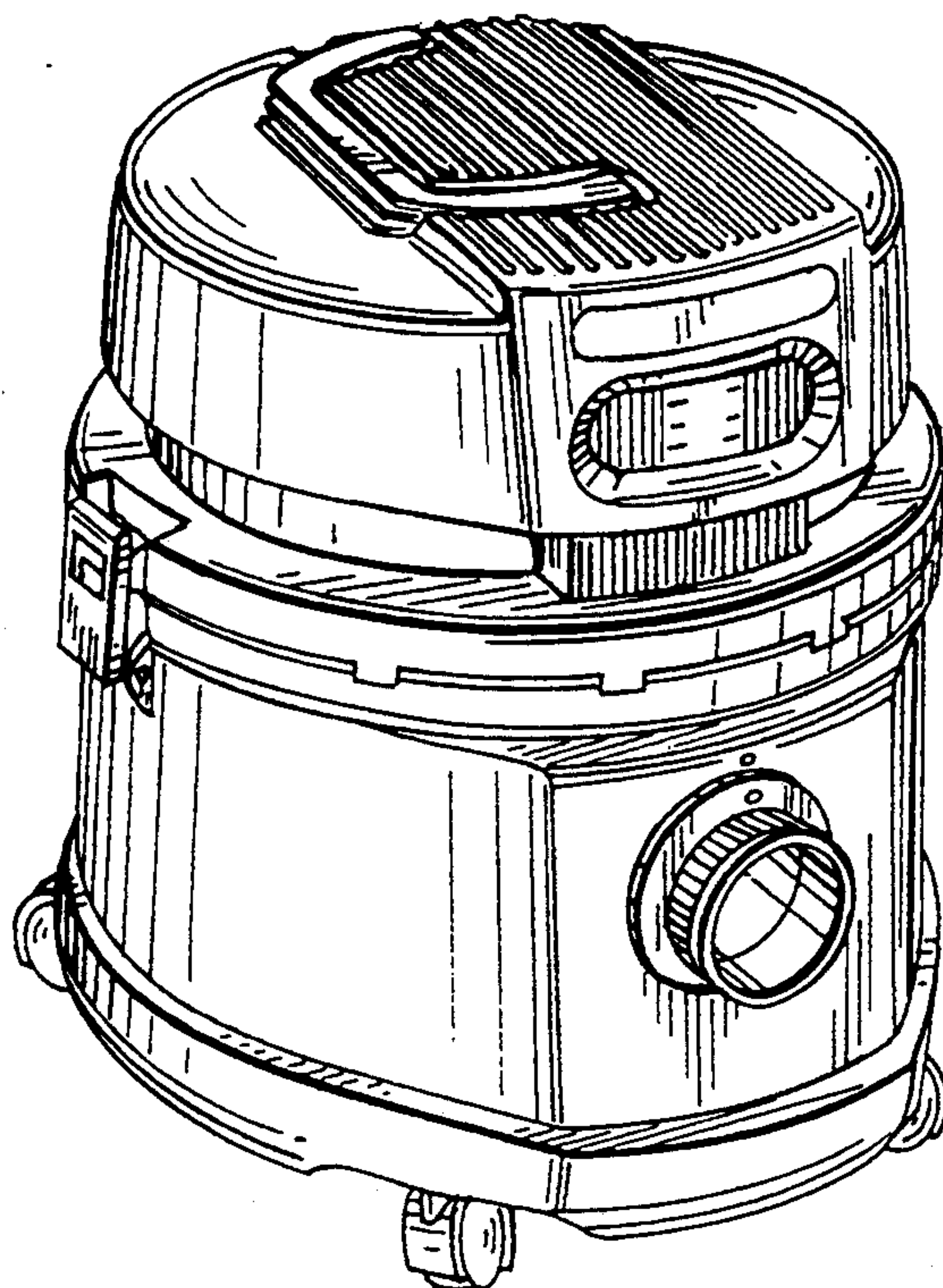
Primary Examiner—Ruth McInroy
Attorney, Agent, or Firm—Cohen, Pontani, Lieberman, Pavane

[57] **CLAIM**

The ornamental design for a vacuum cleaner, as shown.

DESCRIPTION

FIG. 1 is a front perspective view of a vacuum cleaner showing my new design;
FIG. 2 is a rear perspective view thereof;
FIG. 3 is a front elevational view thereof;
FIG. 4 is a rear elevational view thereof;
FIG. 5 is a right side elevational view thereof;
FIG. 6 is a left side elevational view thereof;
FIG. 7 is a top plan view thereof; and,
FIG. 8 is a bottom plan view thereof.



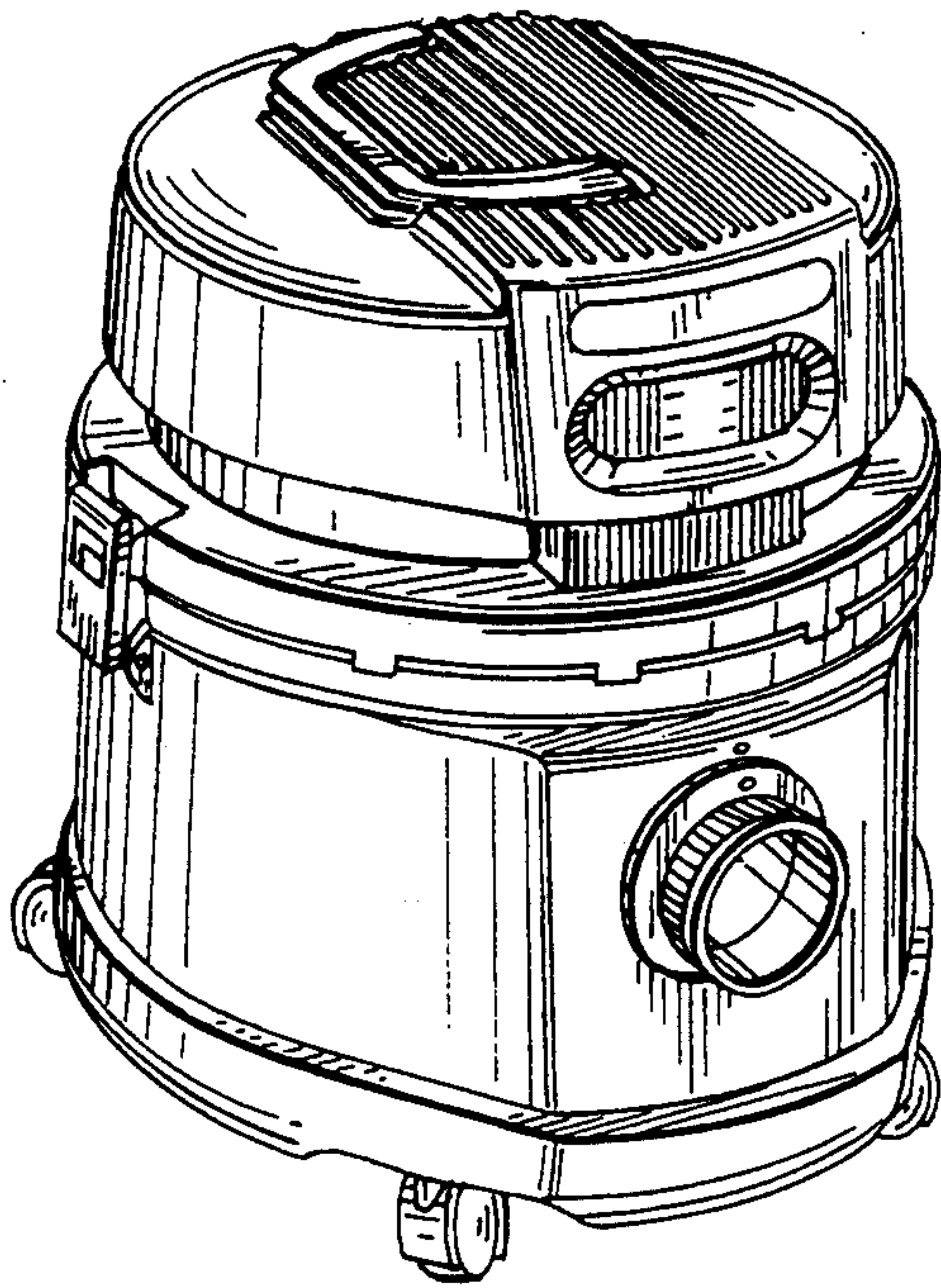


FIG. 1

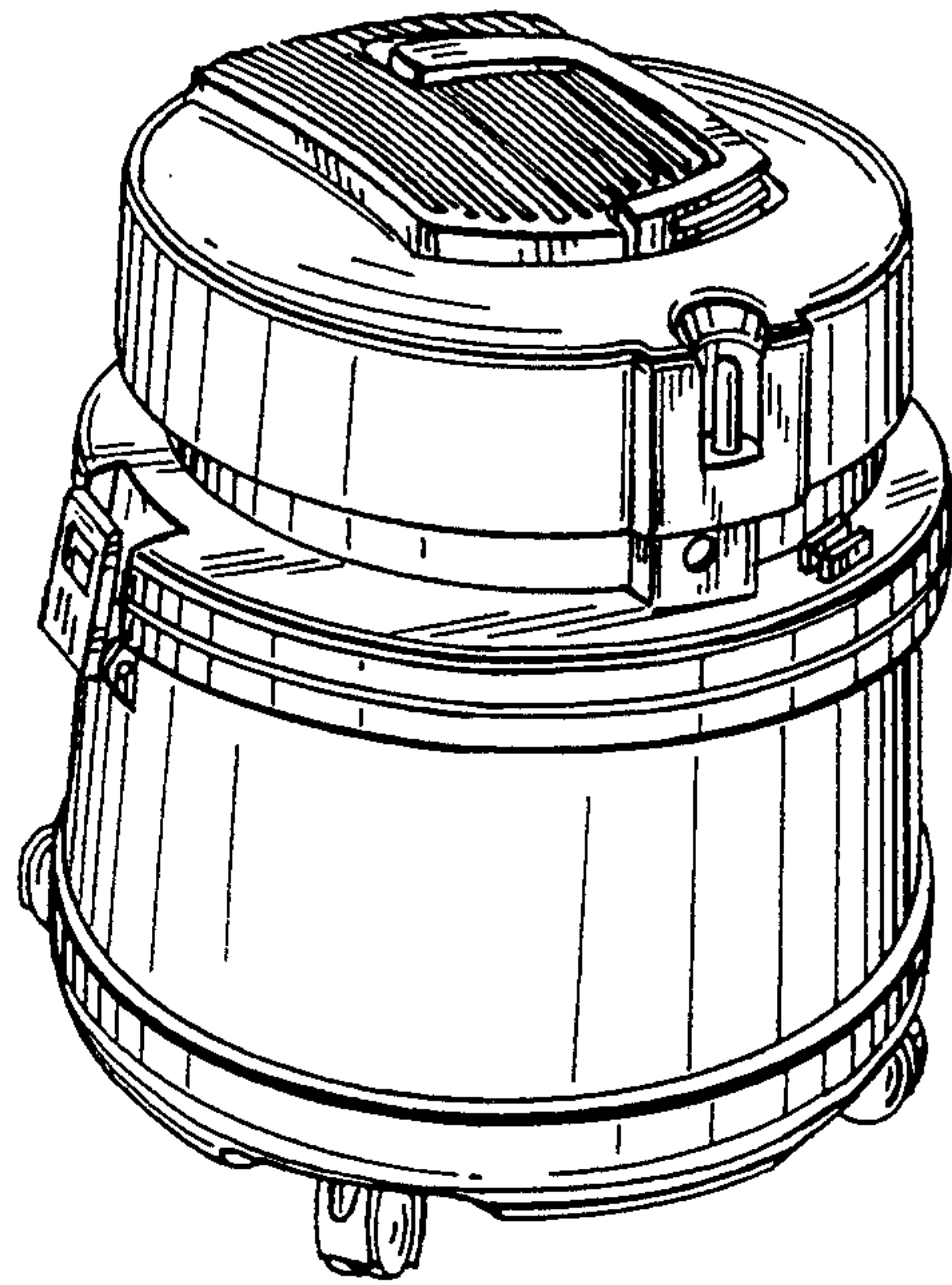


FIG. 2

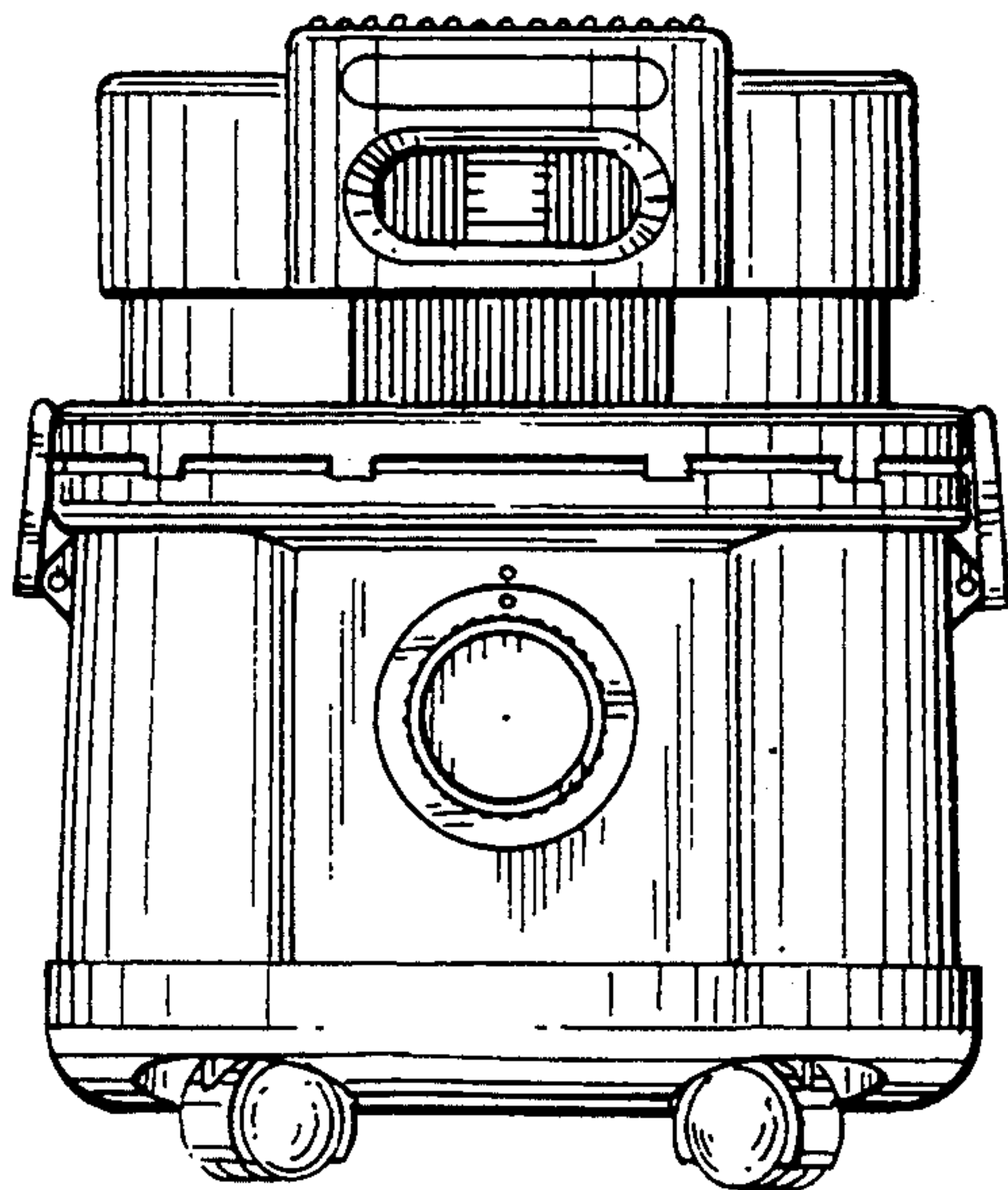


FIG. 3

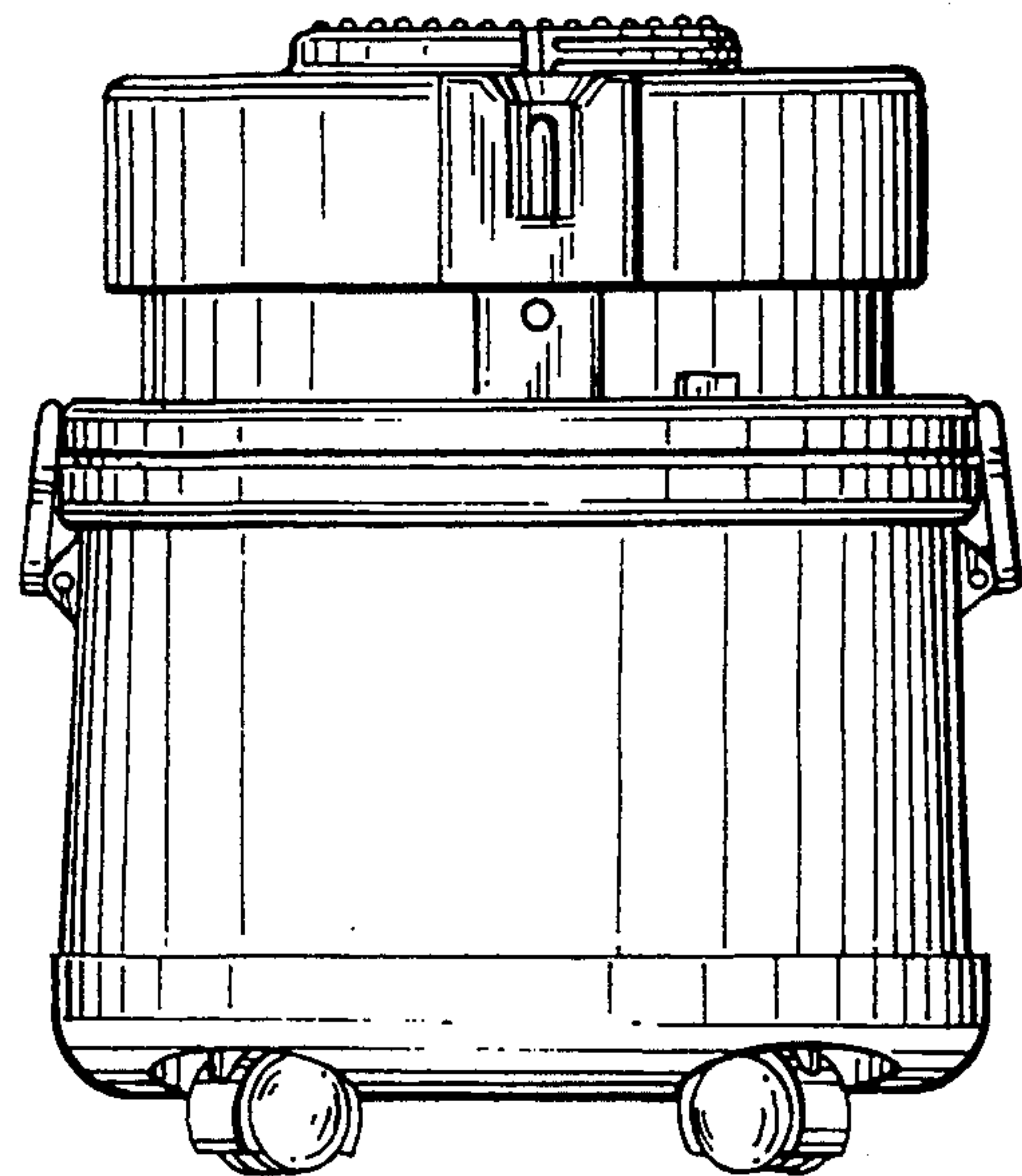


FIG. 4

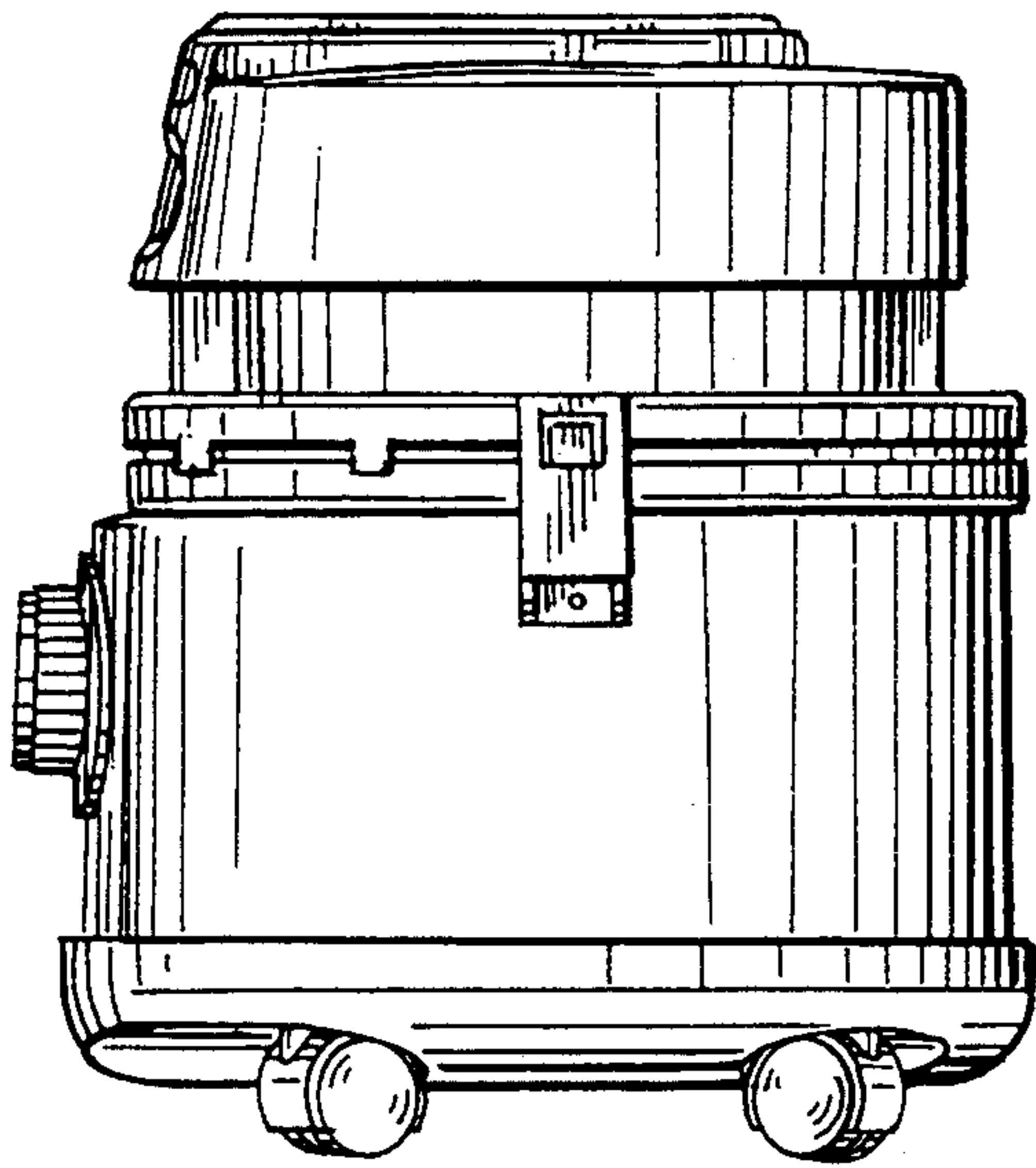


FIG. 5

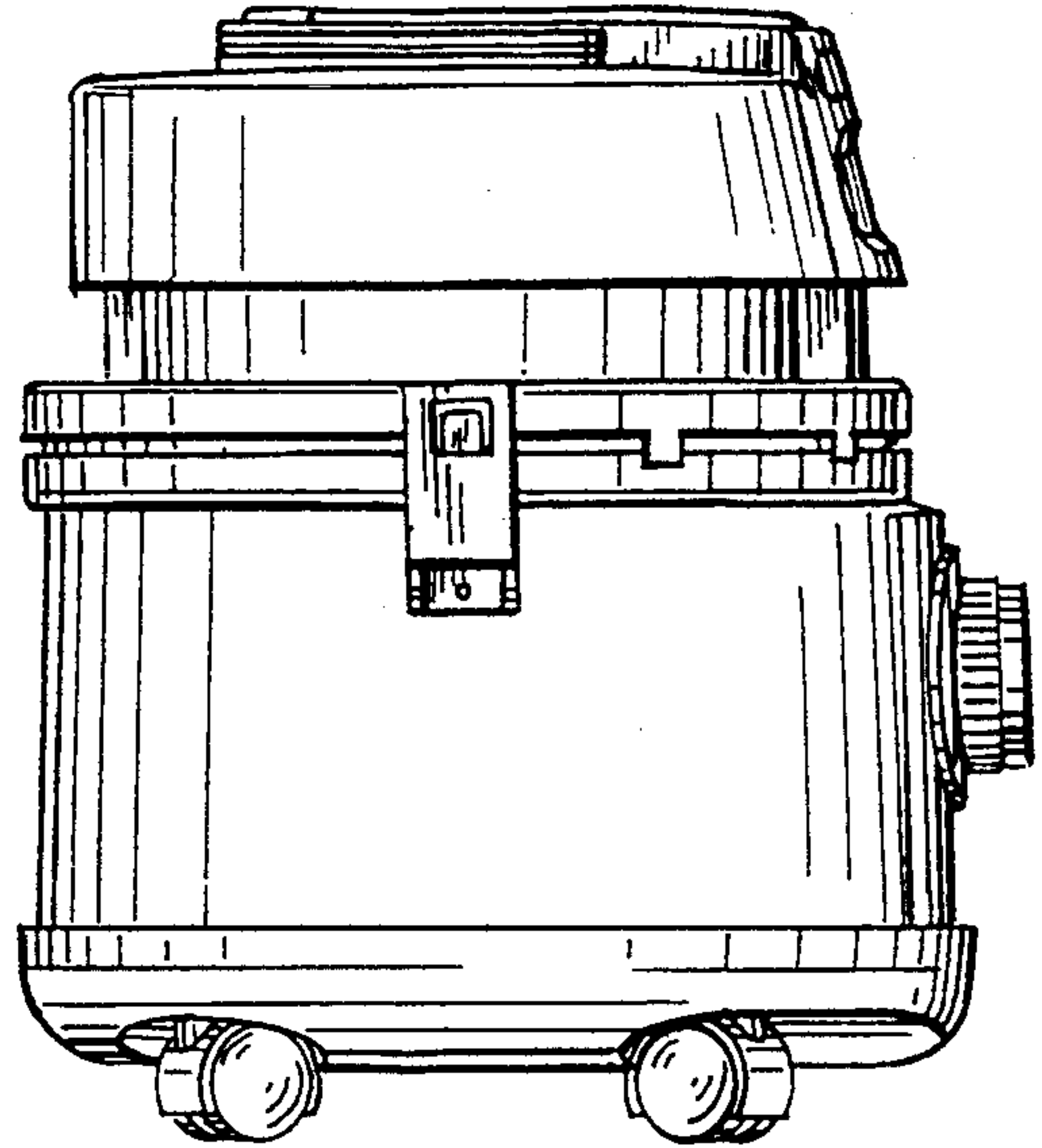


FIG. 6

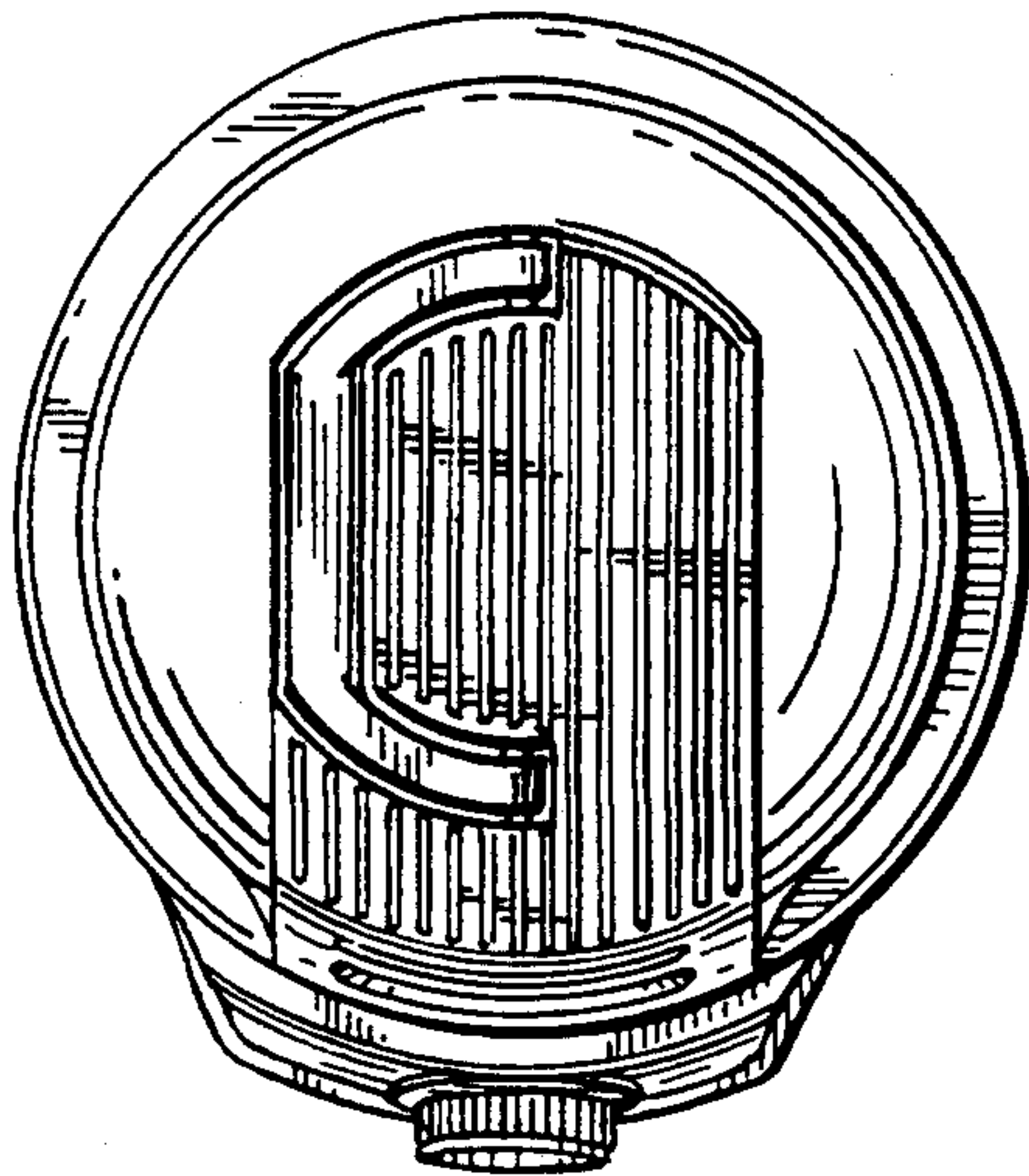


FIG. 7

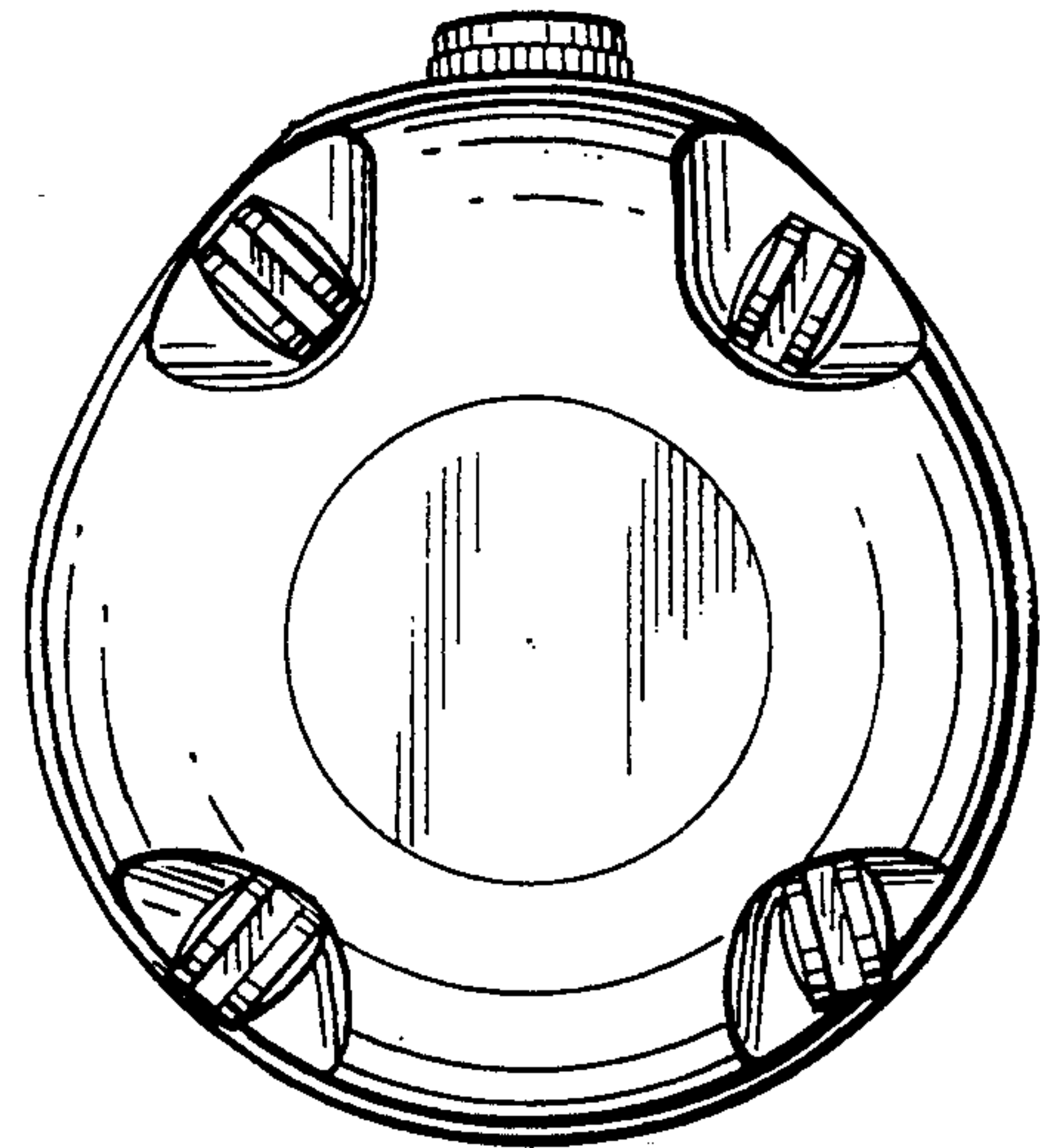


FIG. 8