



US00D362520S

United States Patent [19]

Lunsford

[11] Patent Number: **Des. 362,520**

[45] Date of Patent: **** Sep. 19, 1995**

[54] **RETAINER FOR HOLDING ITEMS IN PLACE IN A DISHWASHER**

[76] Inventor: **Andy Lunsford**, Rte. 2, Box 195, Colbert, Ga. 30628

[**] Term: **14 Years**

[21] Appl. No.: **18,292**

[22] Filed: **Feb. 3, 1994**

[52] U.S. Cl. **D32/3**

[58] Field of Search **D32/3, 25; 211/41, 89, 211/181**

[56] **References Cited**

U.S. PATENT DOCUMENTS

- D. 338,750 8/1993 Chandler D32/3
- 4,832,206 5/1989 Cunningham D32/3
- 5,114,019 5/1992 Sandbank D32/3

5,121,843 6/1992 Elder D32/3

Primary Examiner—Ruth McInroy
Attorney, Agent, or Firm—Terry M. Gernstein

[57] **CLAIM**

The ornamental design for a retainer for holding items in place in a dishwasher, as shown and described.

DESCRIPTION

FIG. 1 is a front, top and side perspective view of a retainer for holding items in place in a dishwasher showing my new design;

FIG. 2 is a front elevational view thereof, the rear being a mirror image;

FIG. 3 is an end elevational view thereof;

FIG. 4 is an end elevational view thereof opposite to FIG. 3; and,

FIG. 5 is a top plan view thereof, the bottom view being a mirror image.

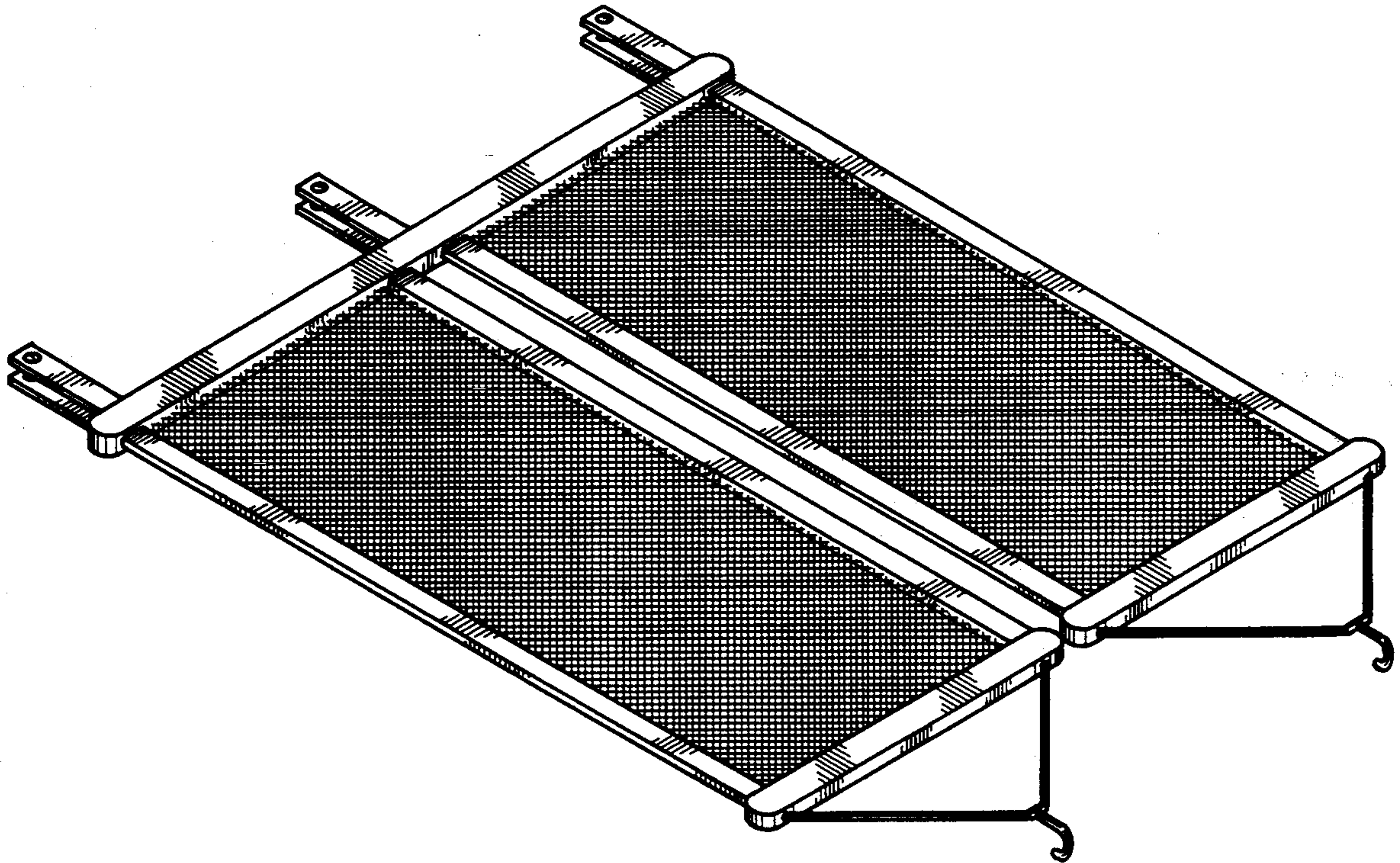


FIG.1

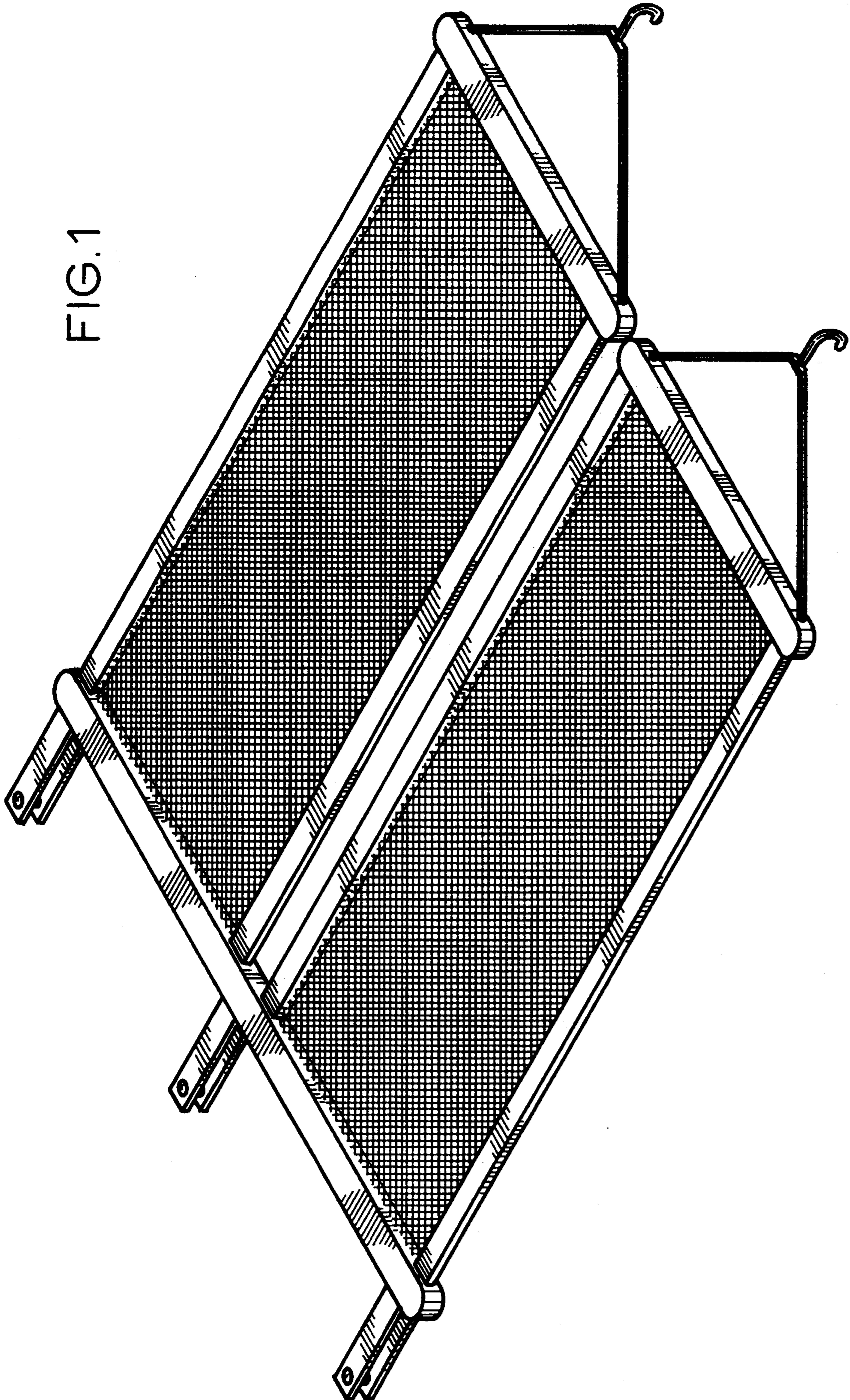


FIG. 2



FIG. 3



FIG. 4



FIG. 5

