



US00D362516S

# United States Patent [19]

[11] Patent Number: **Des. 362,516**

**Kramer**

[45] Date of Patent: **\*\* Sep. 19, 1995**

## [54] LAMPSHADE

[76] Inventor: **Barry Kramer**, 6180 S. St. Andrews Pl., Los Angeles, Calif. 90047

[\*\*] Term: **14 Years**

[21] Appl. No.: **32,425**

[22] Filed: **Dec. 19, 1994**

### Related U.S. Application Data

[62] Division of Ser. No. 013,579, Sep. 27, 1993.

[52] U.S. Cl. .... **D26/130**

[58] Field of Search ..... **D26/128-136, D26/72, 80-92; 362/147, 404-408**

### [56] References Cited

#### U.S. PATENT DOCUMENTS

- D. 129,357 9/1941 Greppin ..... D26/86
- D. 317,511 6/1991 Ciceri et al. .... D26/89

### OTHER PUBLICATIONS

Kichler Lighting Catalog, 1987, p. 4, Ceiling Lighting Fixture #K-2092.

*Primary Examiner*—Susan J. Lucas

*Attorney, Agent, or Firm*—Timothy T. Tyson; Freilich, Hornbaker & Rosen

### [57] CLAIM

The ornamental design for a lampshade, as shown and described.

### DESCRIPTION

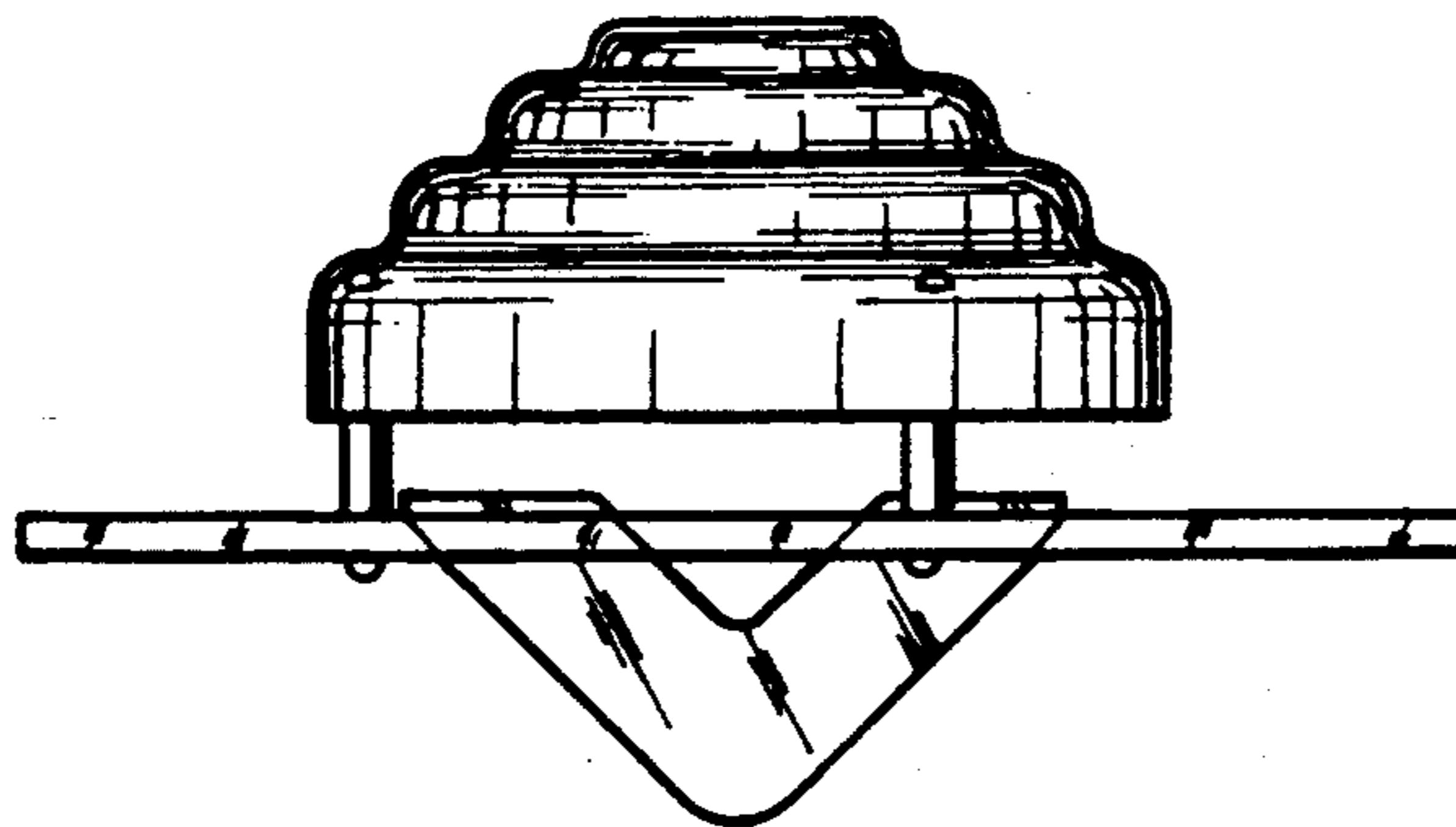
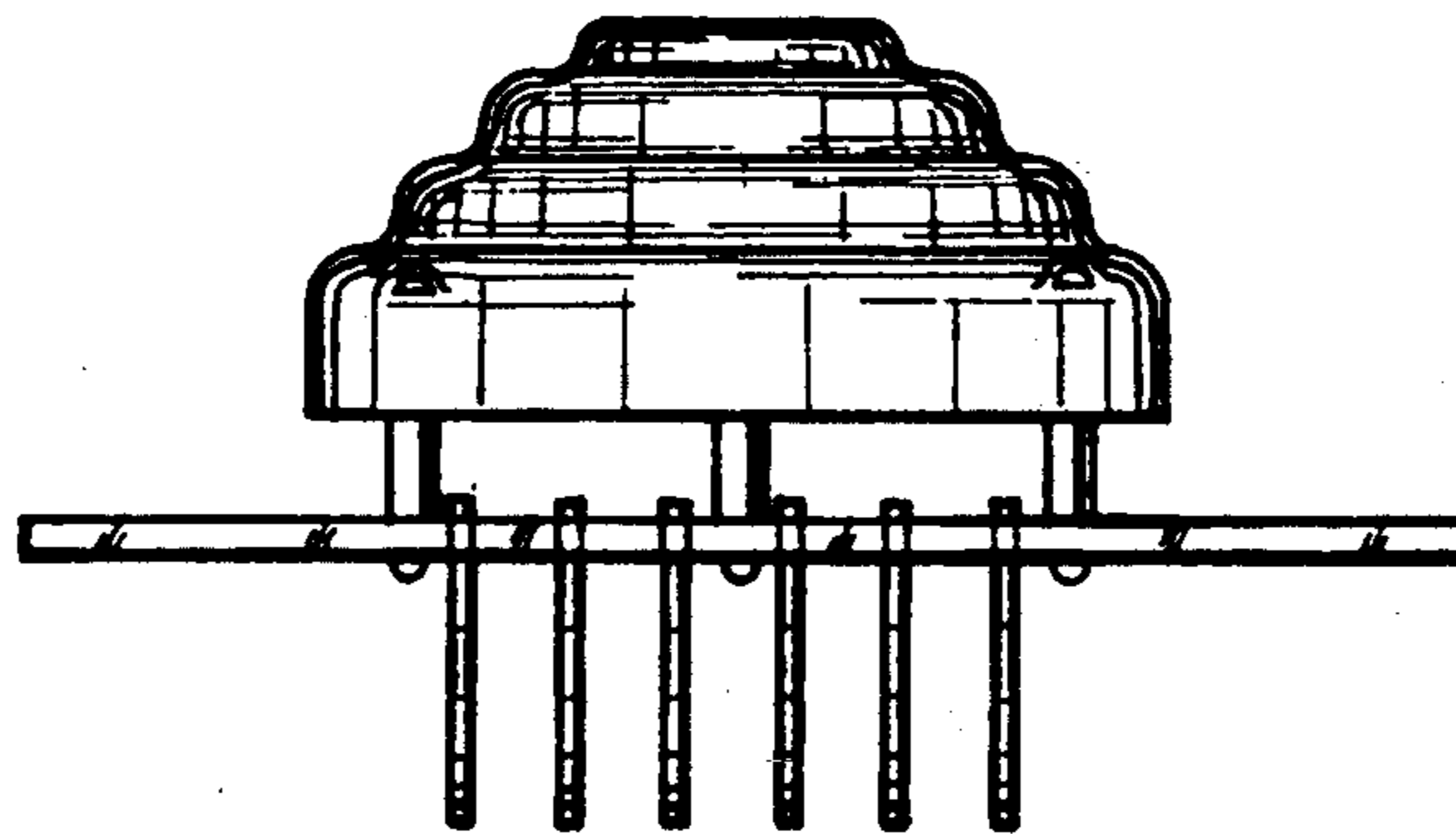
FIG. 1 is a right side elevational view of a lampshade showing my new design;

FIG. 2 is a front elevational view, the rear elevational view being the mirror image thereof;

FIG. 3 is a top plan view thereof;

FIG. 4 is a left side elevational view thereof; and,

FIG. 5 is a bottom plan view thereof.



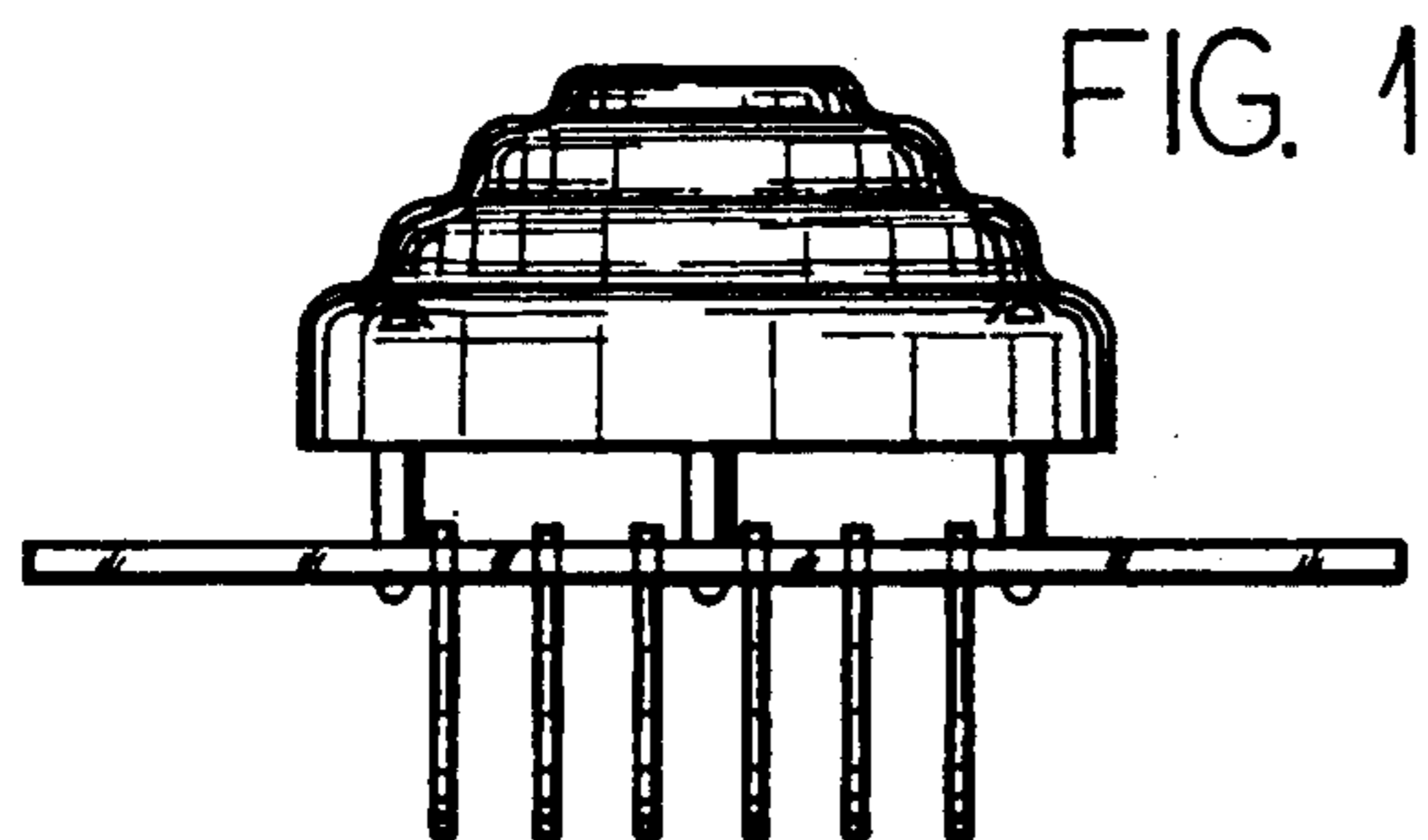


FIG. 1

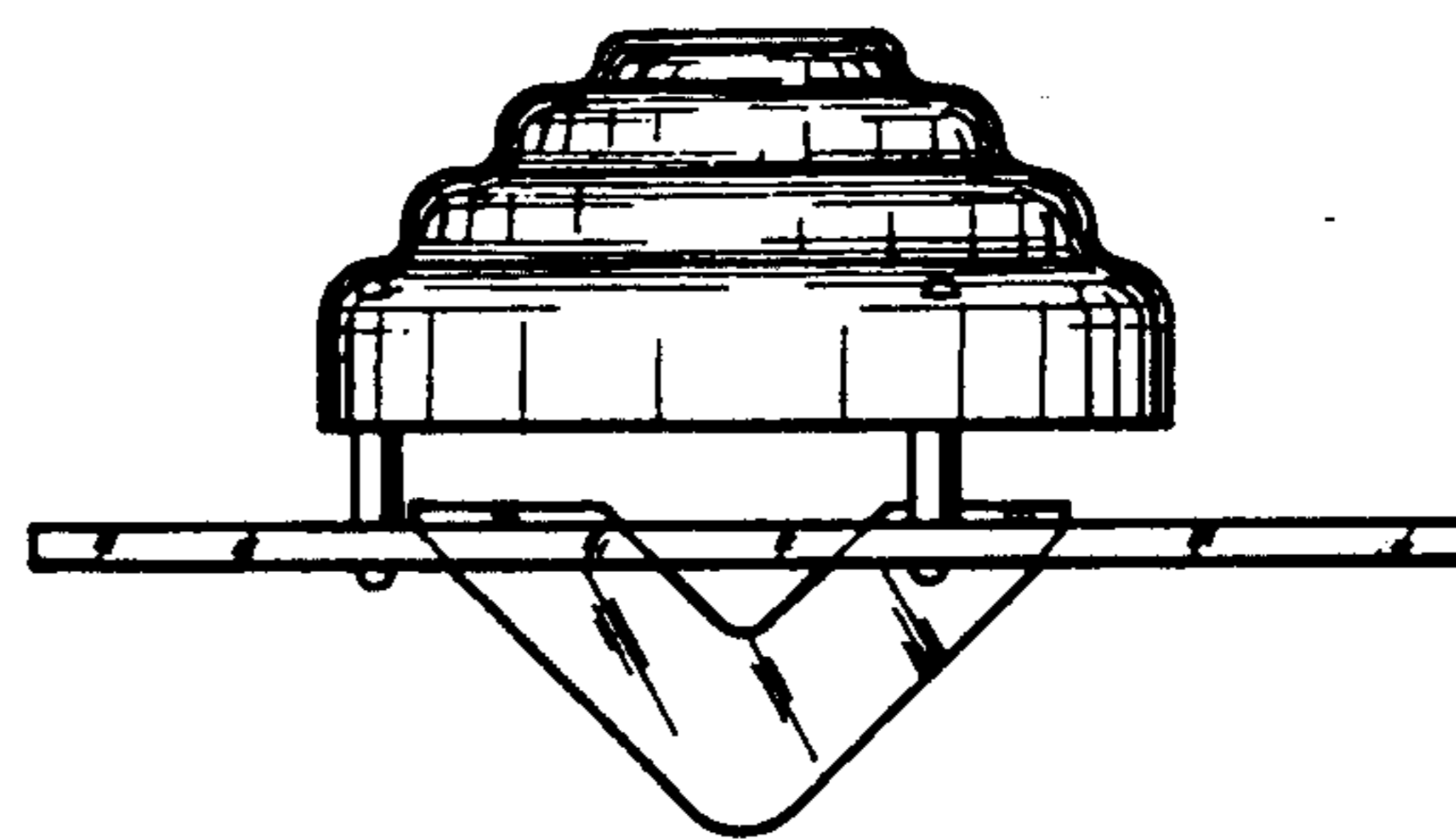


FIG. 2

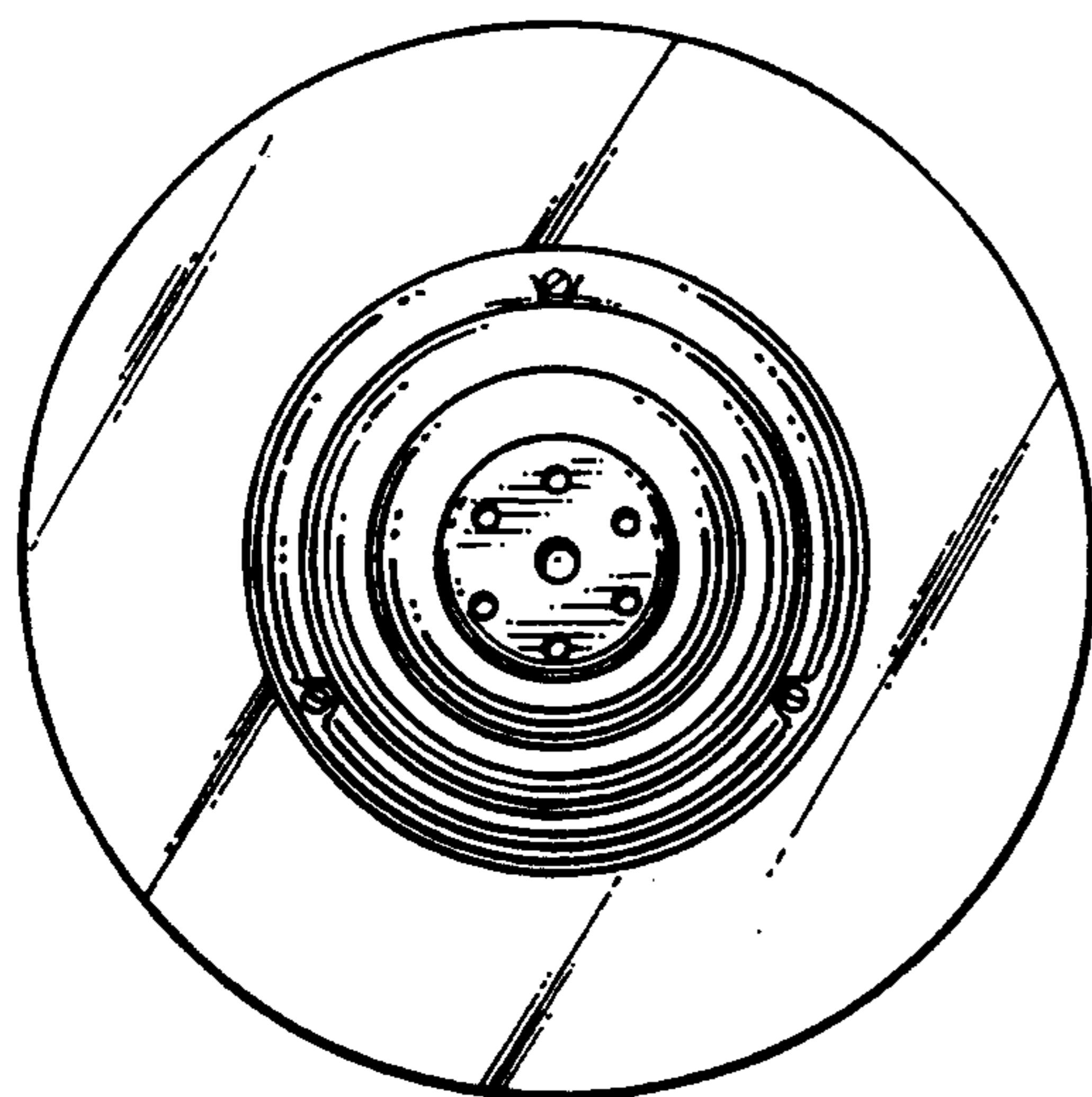


FIG. 3

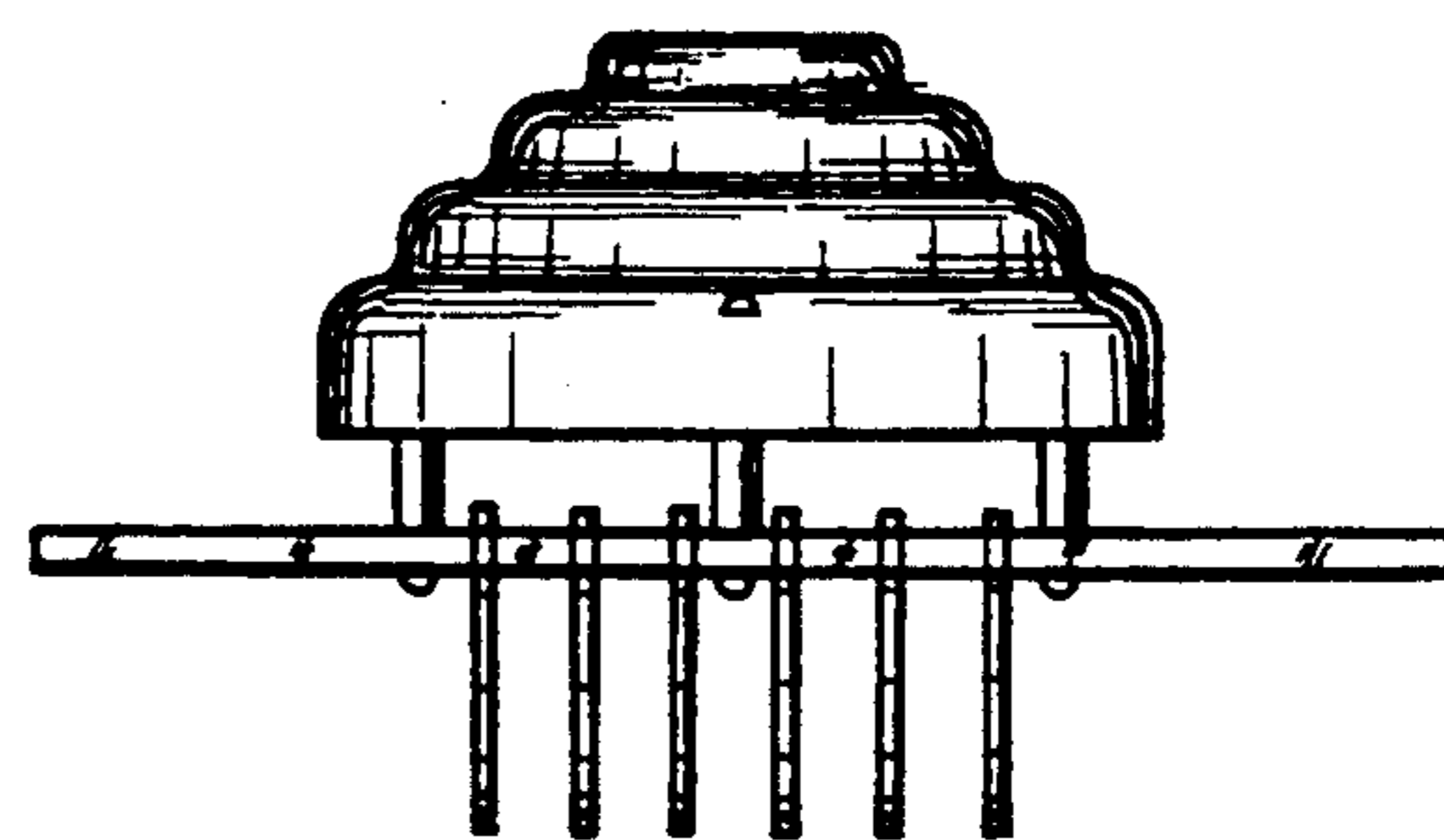


FIG. 4

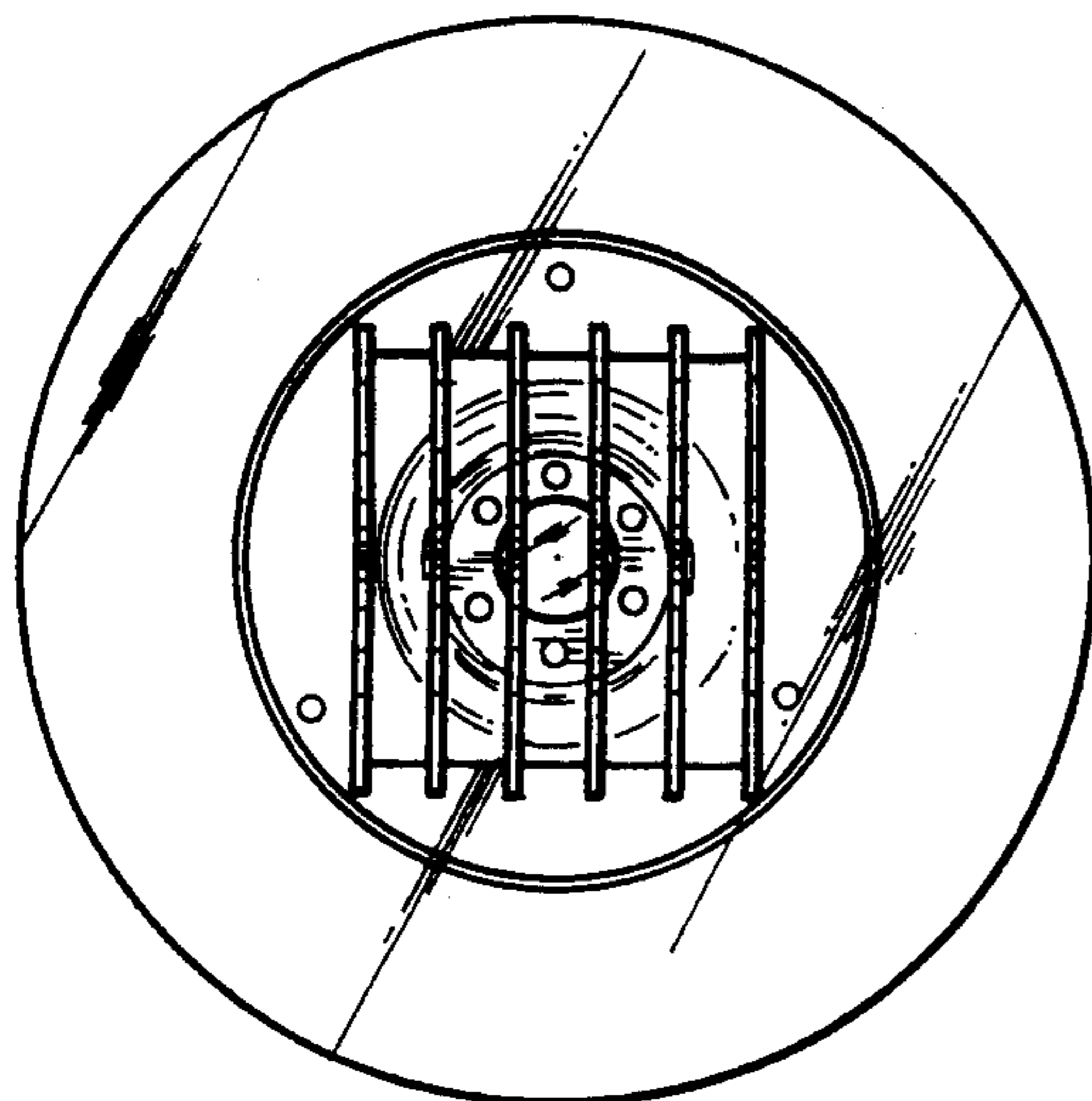


FIG. 5