



US00D362509S

United States Patent [19]

[11] Patent Number: **Des. 362,509**

Russell

[45] Date of Patent: **** Sep. 19, 1995**

[54] **FRAMEWORK CONNECTOR**

3,973,854 8/1976 Gilbo et al. 403/170
5,066,161 11/1991 Pinney 403/217

[75] Inventor: **Allan V. Russell**, Northumberland,
England

FOREIGN PATENT DOCUMENTS

[73] Assignee: **AAF-Ltd.**, Great Britain

2081638 2/1982 United Kingdom .
2254967 10/1992 United Kingdom .
8802801 4/1988 WIPO .
9110034 7/1991 WIPO .

[**] Term: **14 Years**

[21] Appl. No.: **16,810**

Primary Examiner—Doris Clark
Attorney, Agent, or Firm—Wood Herron & Evans

[22] Filed: **Dec. 27, 1993**

[30] **Foreign Application Priority Data**

Jul. 5, 1993 [GB] United Kingdom 2032167

[52] U.S. Cl. **D25/61**

[58] Field of Search D25/61; 208/382;
52/653.1, 653.2, 762, 491, 761, 633, 506.3;
403/231, 217, 169, 170

[57] **CLAIM**

The ornamental design for a framework connector, as shown and described.

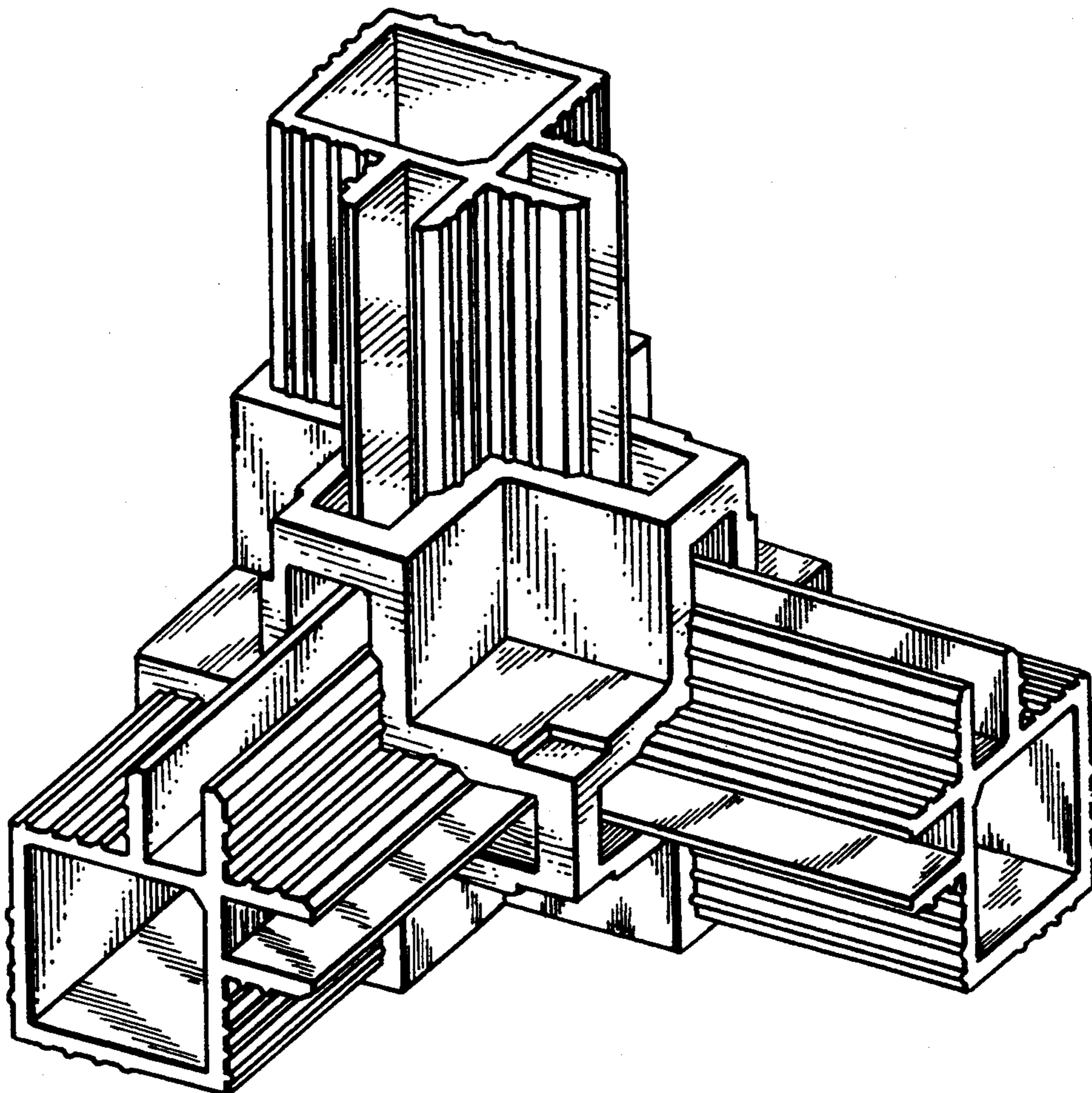
[56] **References Cited**

U.S. PATENT DOCUMENTS

H1,309 5/1994 Allen et al. 428/224
2,839,320 6/1958 Hill D8/382

DESCRIPTION

FIG. 1 is a top and front perspective view of a framework connector showing my new design;
FIG. 2 is a top view of the framework connector shown in FIG. 1;
FIG. 3 is a front view thereof; and,
FIG. 4 is a left side view thereof, the right side and bottom being identical thereto.



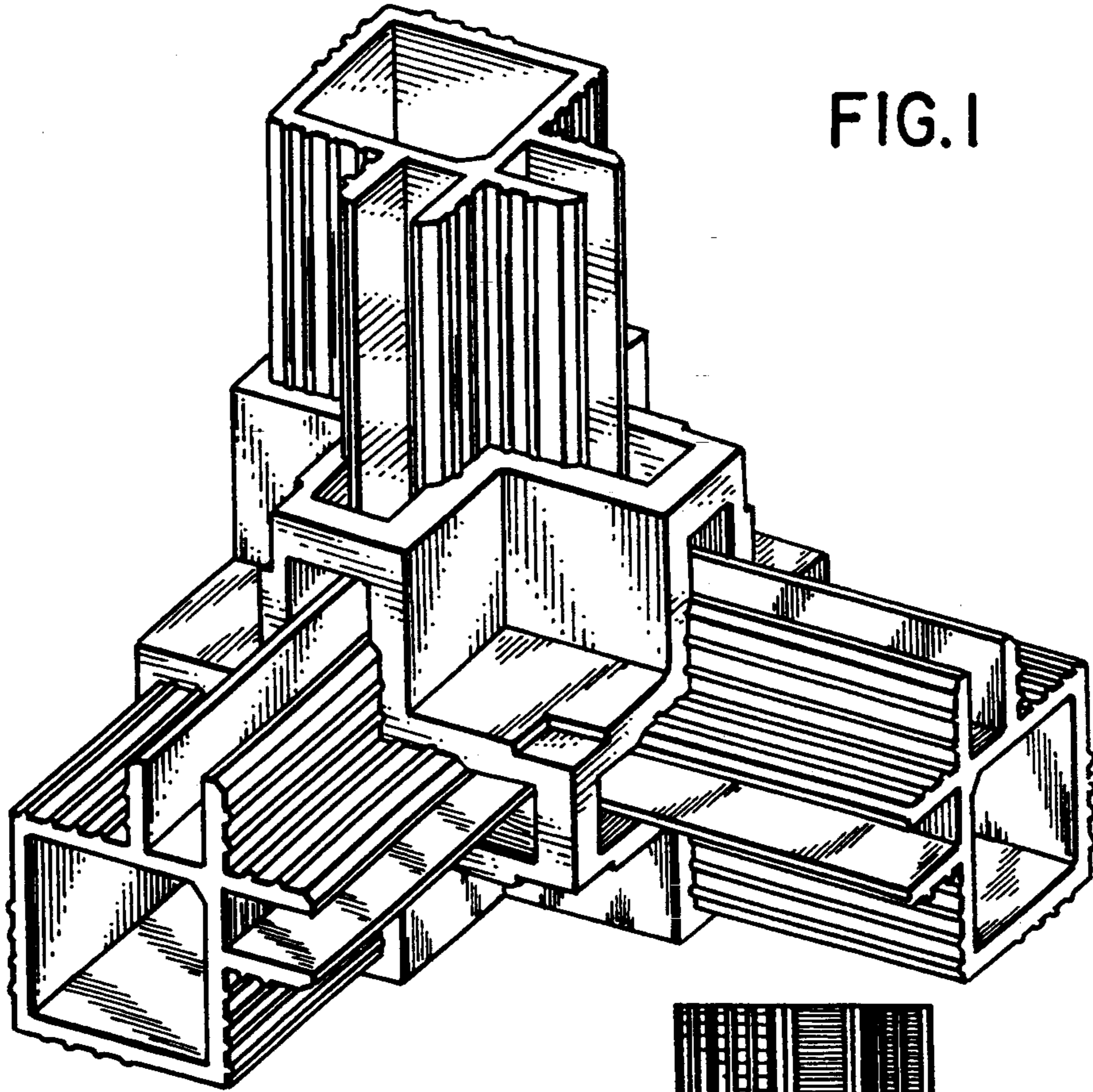


FIG. 1

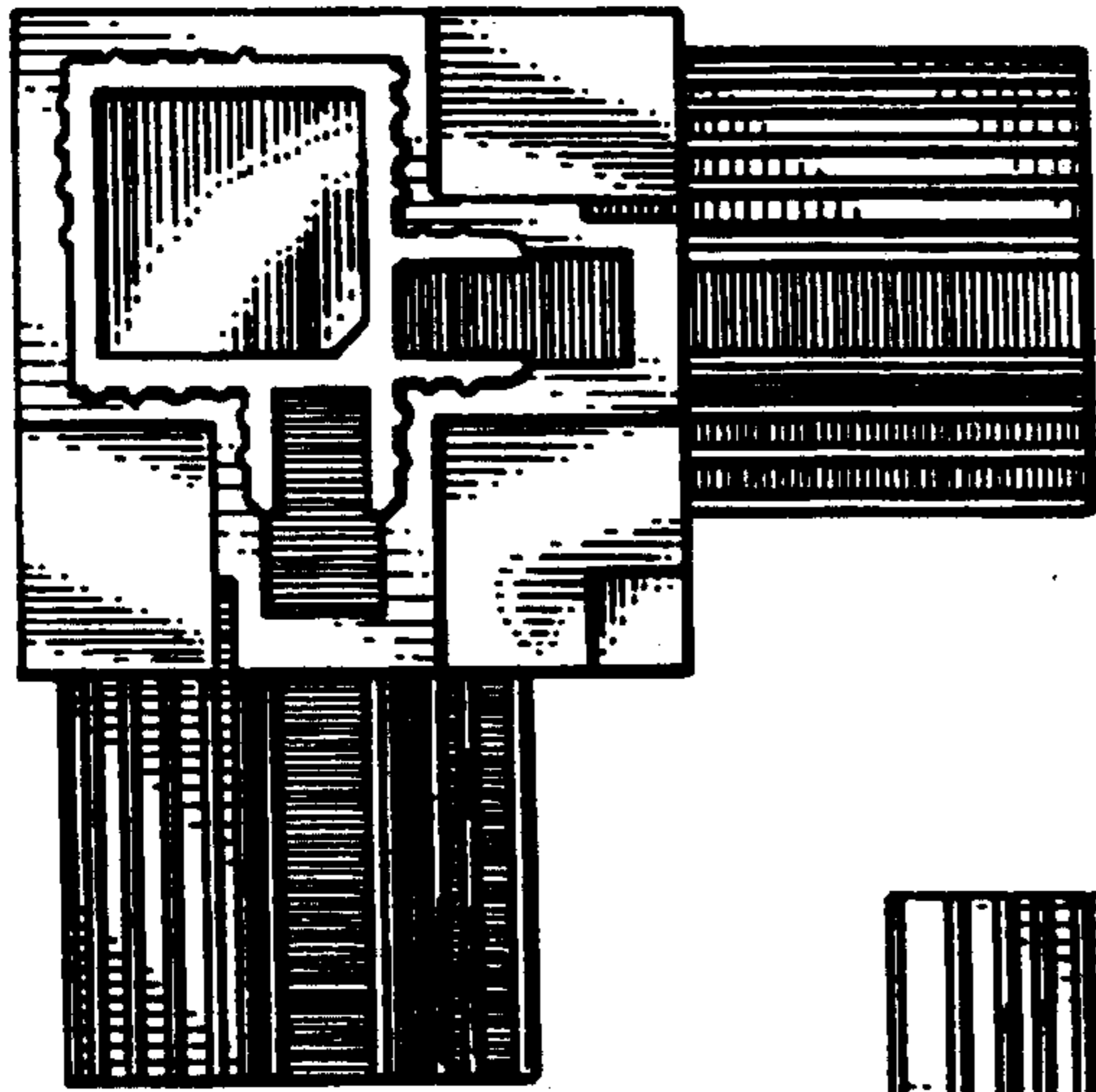


FIG. 2

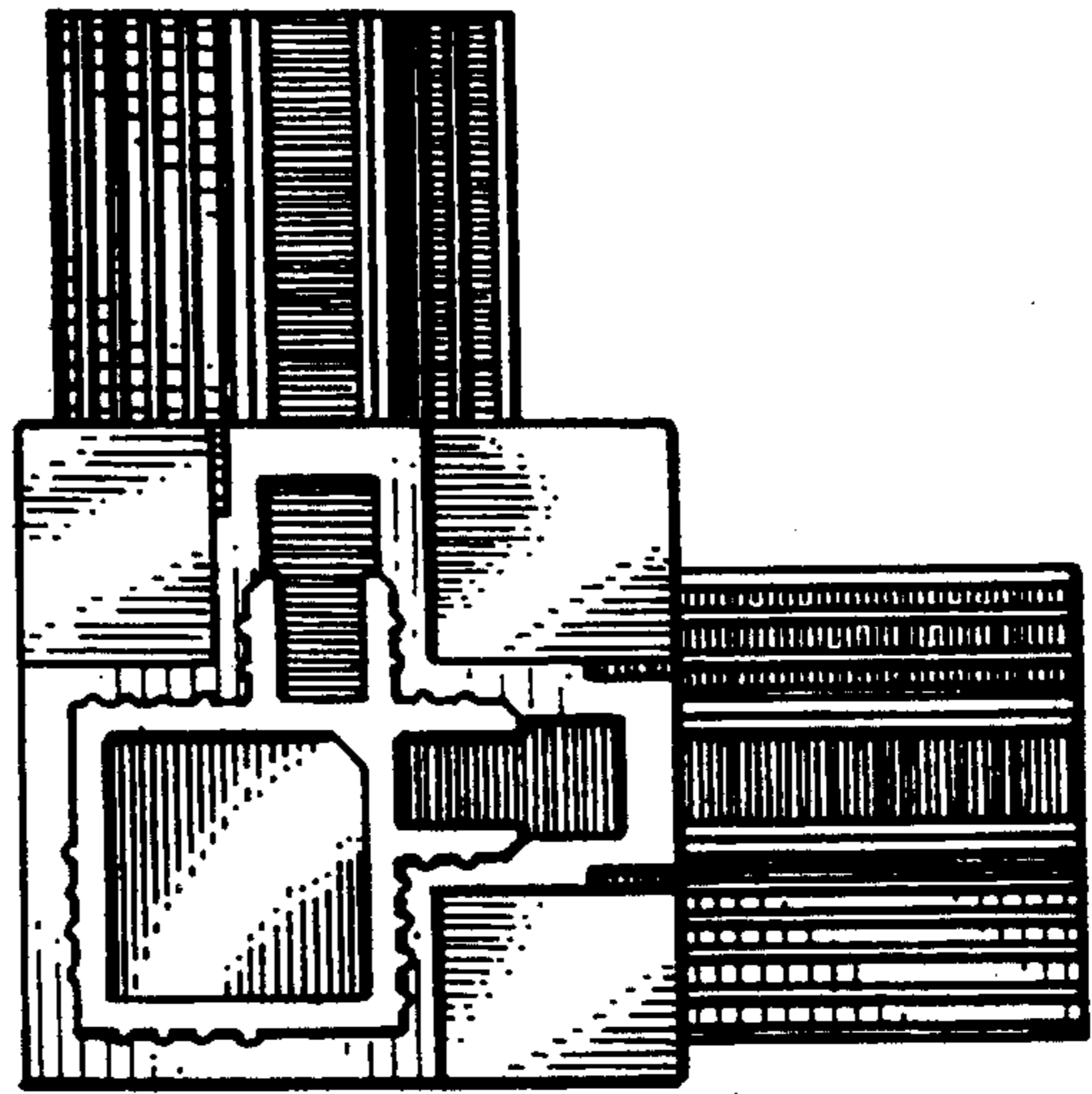


FIG. 3

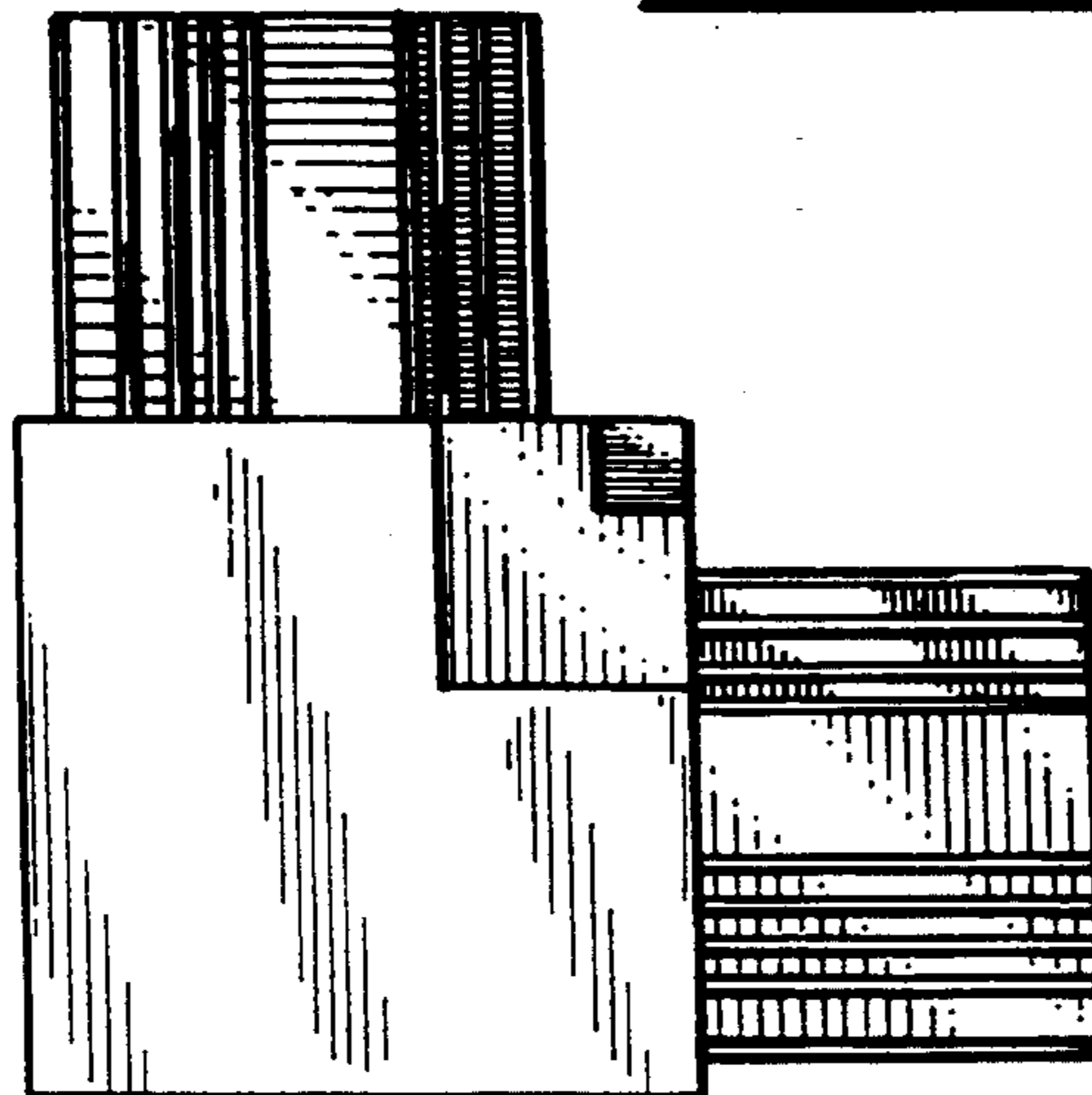


FIG. 4