



US00D362508S

# United States Patent [19]

[11] Patent Number: **Des. 362,508**

Ericsson

[45] Date of Patent: **\*\* Sep. 19, 1995**

## [54] MARICULTURE FACILITY

## FOREIGN PATENT DOCUMENTS

[76] Inventor: **John D. Ericsson**, 3462 Sycamore La., Gulf Breeze, Fla. 32561

2565463 12/1985 France ..... 119/223

*Primary Examiner*—Louis S. Zarfaz  
*Assistant Examiner*—Catherine R. Oliver

[\*\*] Term: **14 Years**

## [57] CLAIM

[21] Appl. No.: **15,484**

The ornamental design for the mariculture facility, as shown and described.

[22] Filed: **Nov. 18, 1993**

## DESCRIPTION

[52] U.S. Cl. .... **D25/19**

FIG. 1 is a top view of the mariculture facility of the present invention;

[58] Field of Search ..... D25/19; D30/108, 199; 114/66, 314; 119/215, 217, 223, 224, 225, 226, 228

FIG. 2 is a side view of the mariculture facility of the present invention;

FIG. 3 is a bottom view of the mariculture facility of the present invention;

## [56] References Cited

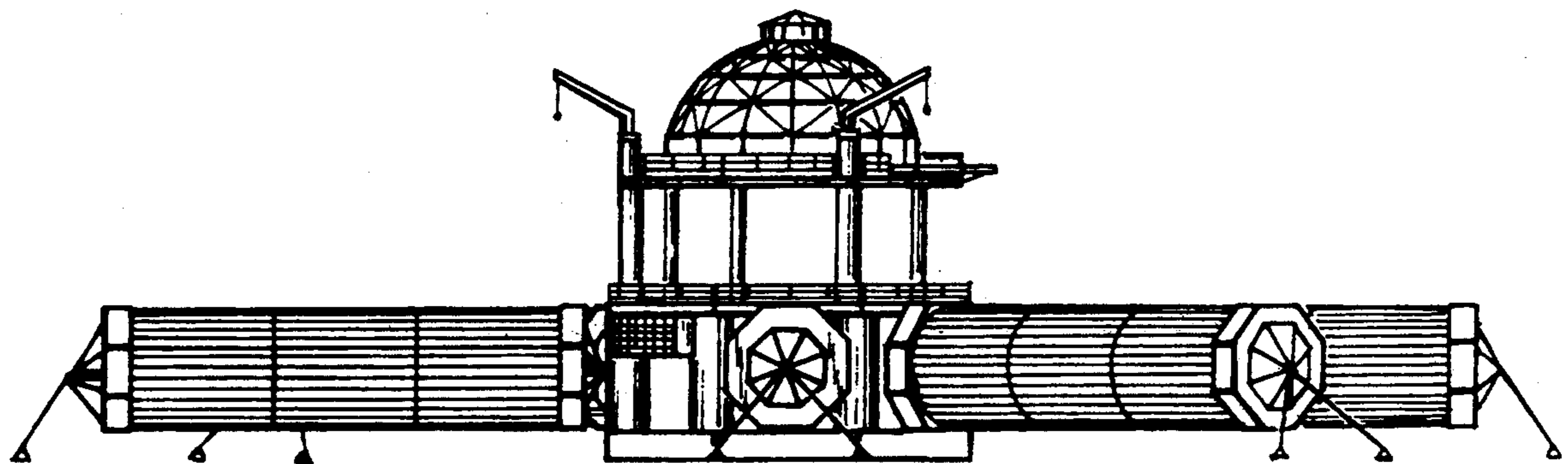
### U.S. PATENT DOCUMENTS

3,943,871	3/1976	Tanaka	.....	D25/19 X
4,716,854	1/1988	Bourdon	.....	119/223
4,747,369	5/1988	Götmalm	.....	119/223
4,798,169	1/1989	Rosén et al.	.....	119/223

FIG. 4 is a rear view of the mariculture facility of the present invention;

FIG. 5 is a side view of the mariculture facility of the present invention; and,

FIG. 6 is a frontal view of the mariculture facility of the present invention.



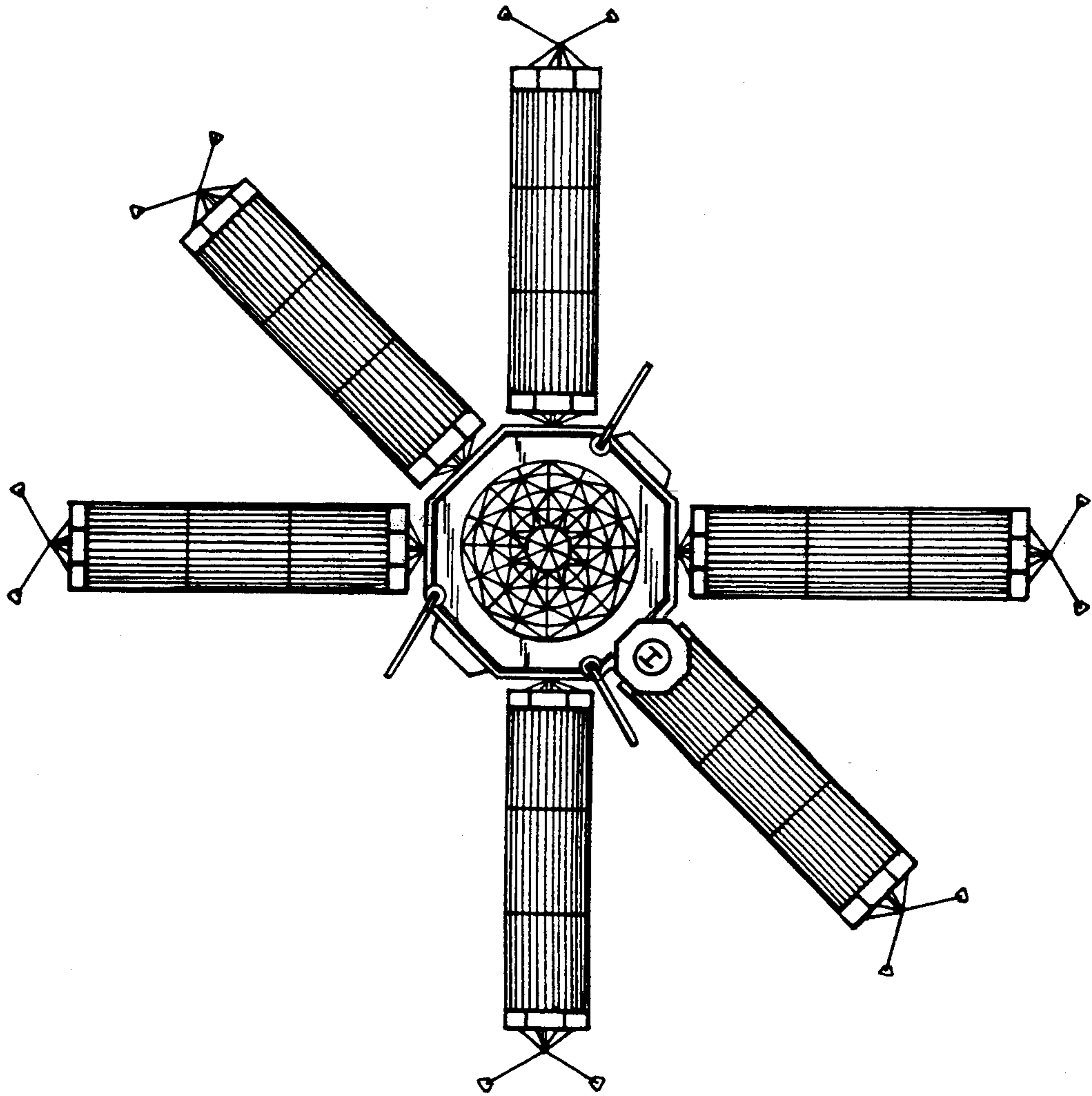


FIG. 1

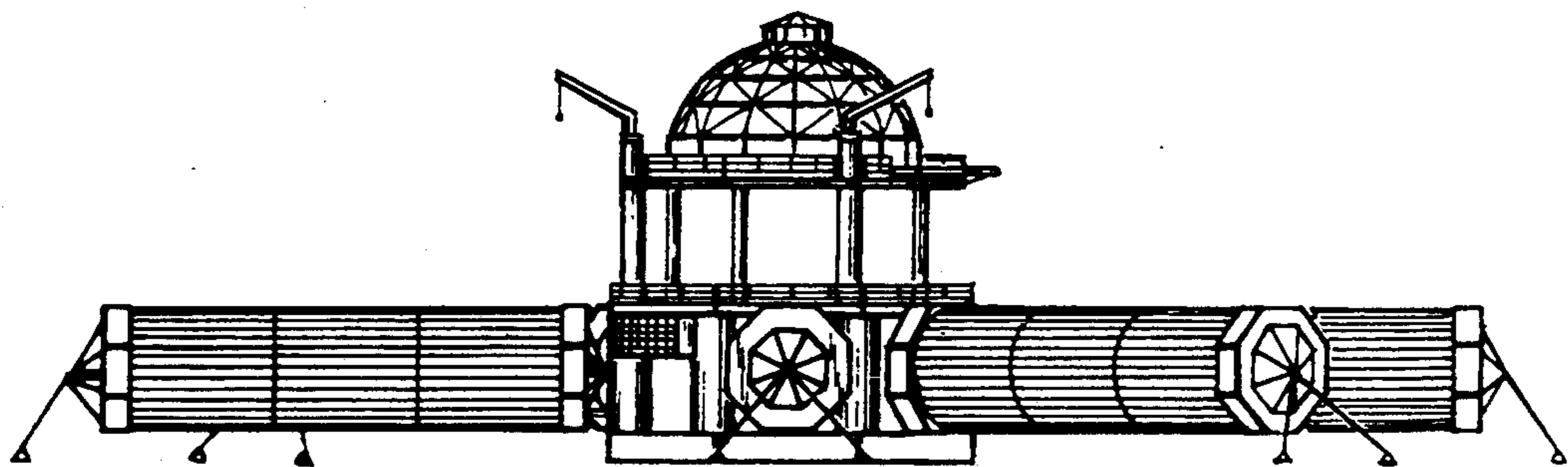


FIG. 2

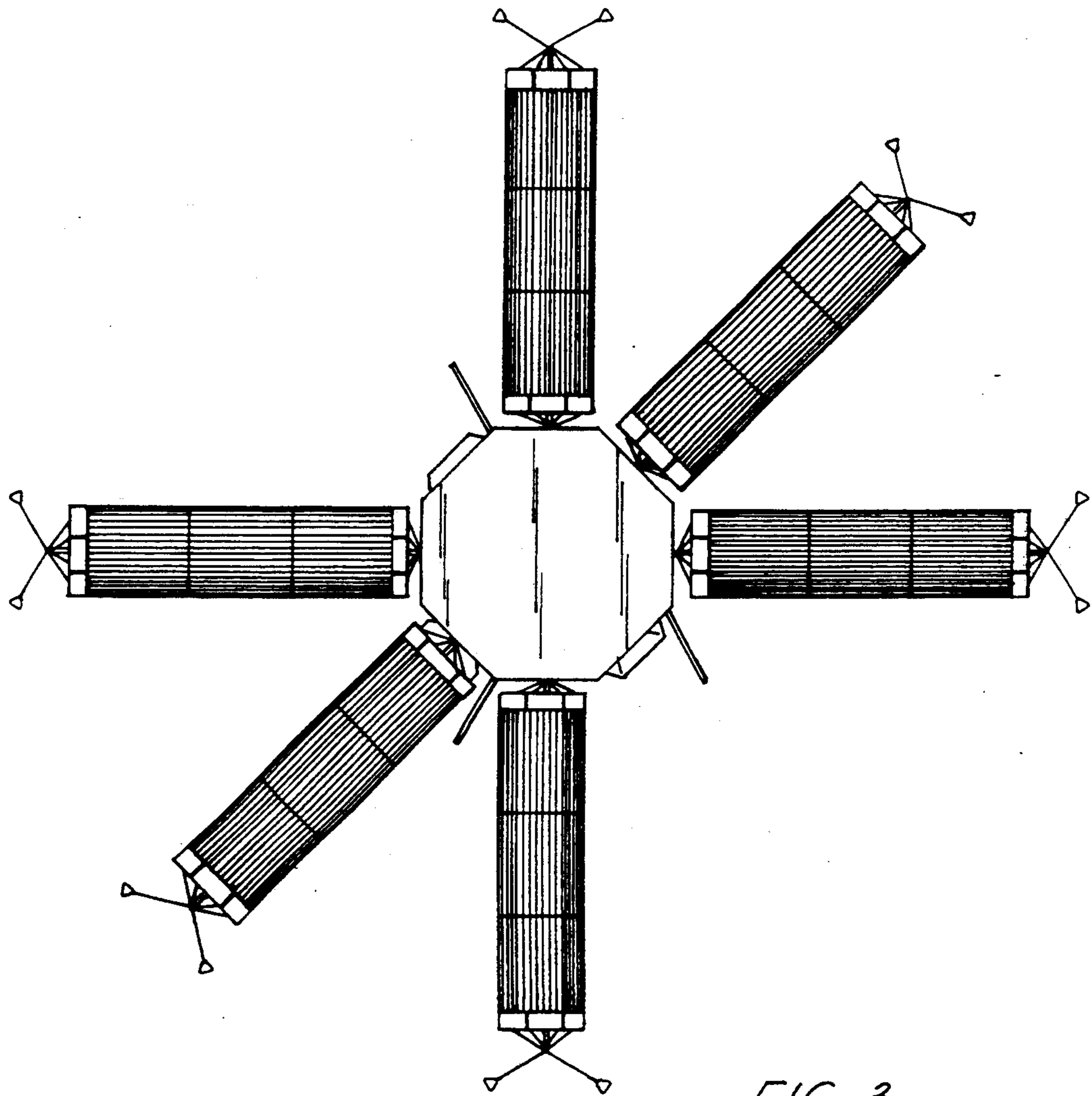


FIG. 3

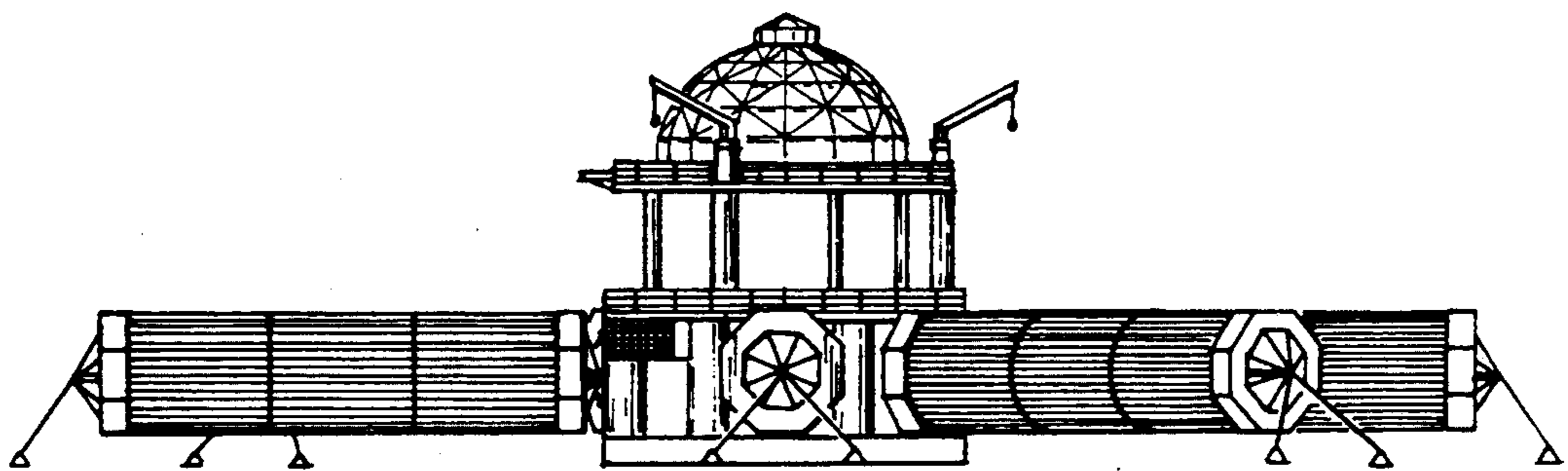


FIG. 4

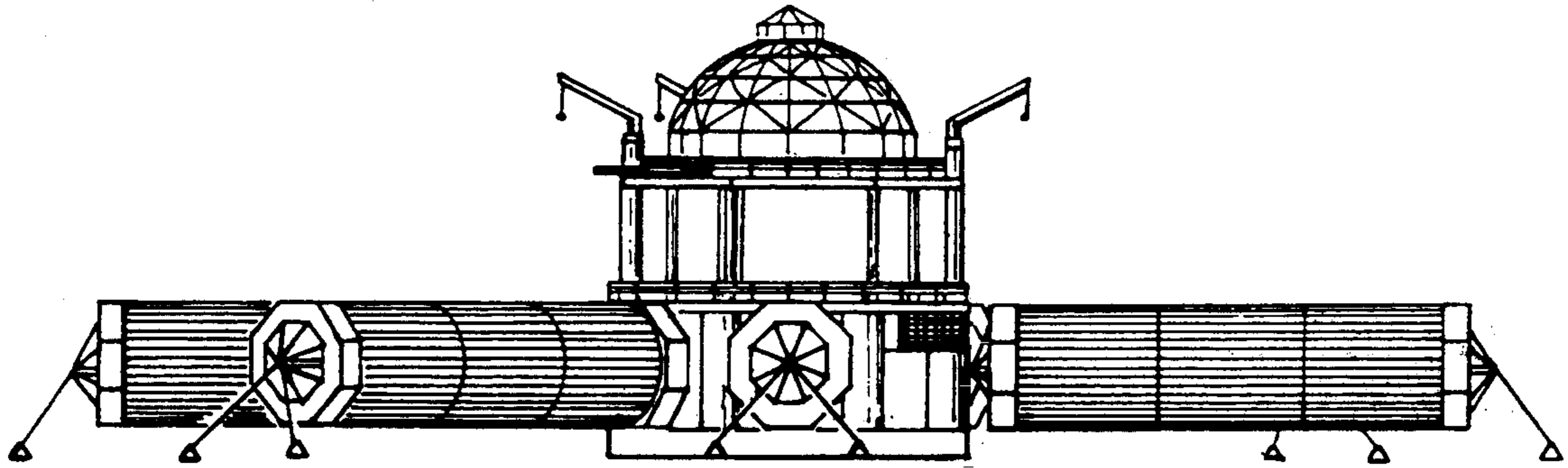


FIG. 5

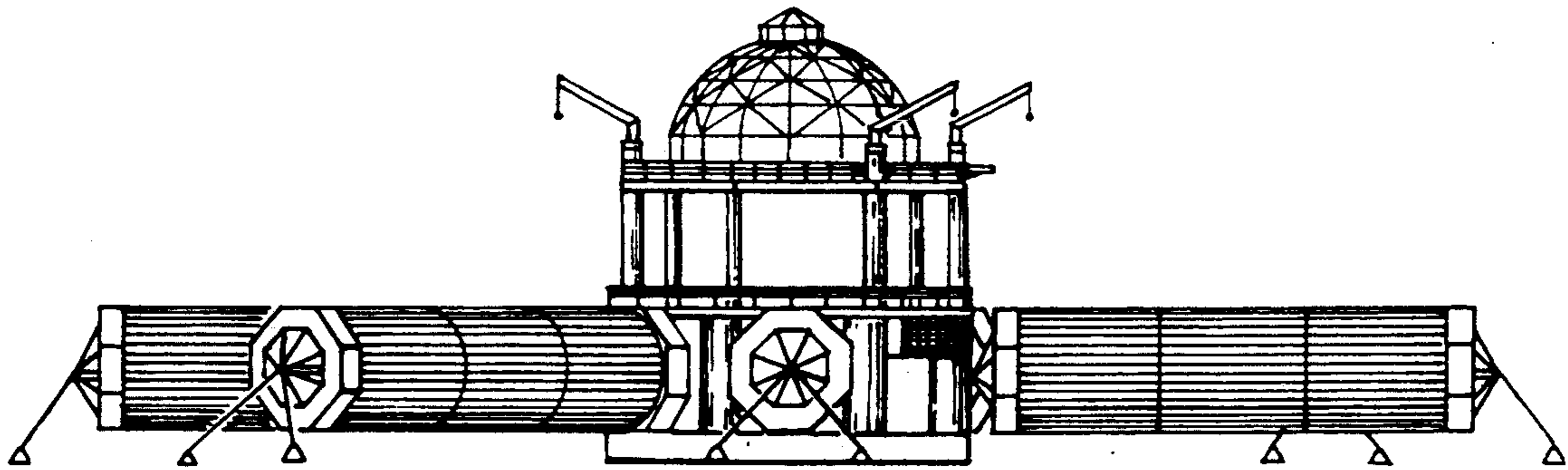


FIG. 6