



US00D362507S

# United States Patent [19]

[11] Patent Number: **Des. 362,507**

Zuck et al.

[45] Date of Patent: **\*\* Sep. 19, 1995**

[54] **UPPER BODY THERMAL BLANKET**

5,265,599 11/1993 Stephenson et al. .... 607/104  
5,360,439 11/1994 Dickerhoff et al. .... 607/96

[75] Inventors: **Charles L. Zuck; James G. Stephenson**, both of Marshall, Mich.

*Primary Examiner*—Lisa P. Lichtenstein  
*Attorney, Agent, or Firm*—Beaman & Beaman

[73] Assignee: **Progressive Dynamics, Inc.**, Marshall, Mich.

[57] **CLAIM**

[\*\*] Term: **14 Years**

The ornamental design for an upper body thermal blanket, as shown and described.

[21] Appl. No.: **14,775**

**DESCRIPTION**

[22] Filed: **Nov. 2, 1993**

[52] U.S. Cl. .... **D24/206**

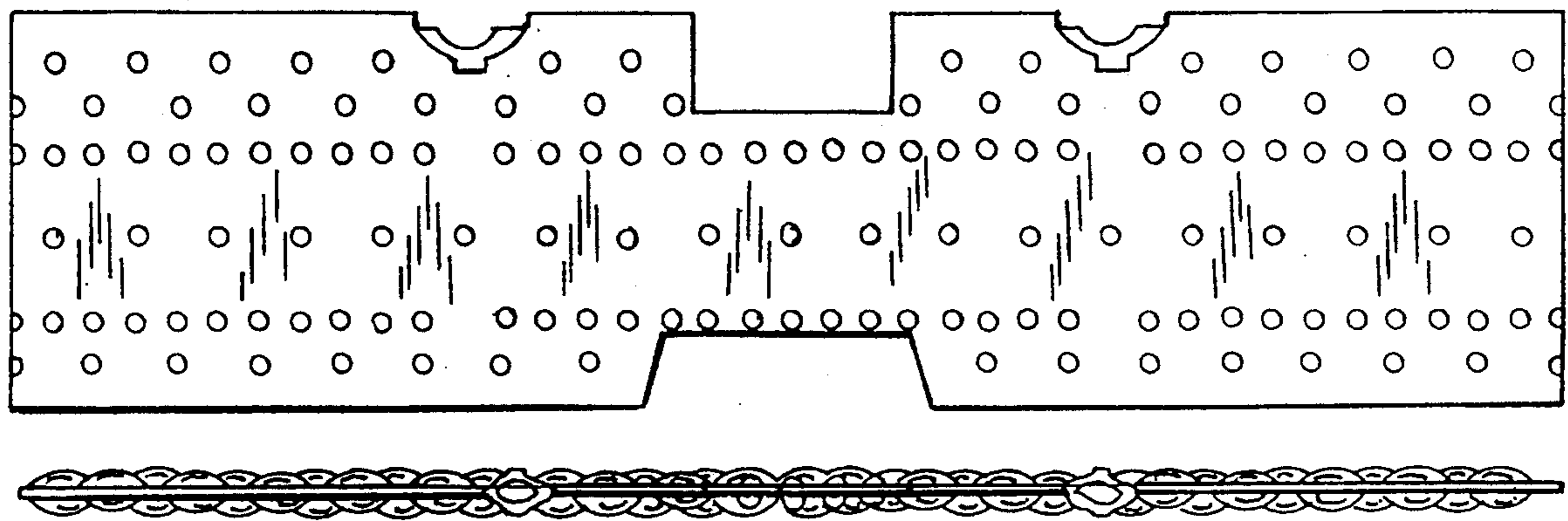
[58] Field of Search ..... D24/206, 200; 607/96, 607/108; 219/212, 211, 528; 165/46; 62/259.3; 5/482

FIG. 1 is a top plan view of an upper body thermal blanket illustrated in an uninflated condition in accord with our new design;  
FIG. 2 is a bottom plan view of the upper body thermal blanket shown in FIG. 1;  
FIG. 3 is a side elevational view of the blanket of FIG. 1 illustrated in an inflated condition as taken from the lower edge of FIG. 1;  
FIG. 4 is a side elevational view of the blanket as taken from the upper edge of FIG. 1, the blanket being illustrated in the inflated condition; and,  
FIG. 5 is an end view of the blanket of our design as taken from the right end of FIG. 1, the blanket being shown in the inflated condition, the opposite end being similar thereto.

[56] **References Cited**

**U.S. PATENT DOCUMENTS**

1,777,982	6/1929	Popp	4/535
2,093,834	9/1937	Gaugler	45/536
2,601,189	6/1952	Wales, Jr.	5/482
4,660,388	4/1987	Greene, Jr.	62/261
4,867,230	9/1989	Voss	165/46
5,125,238	6/1992	Ragan et al.	62/259.3
5,165,400	11/1992	Berke	607/104
5,184,612	2/1993	Augustine	607/104



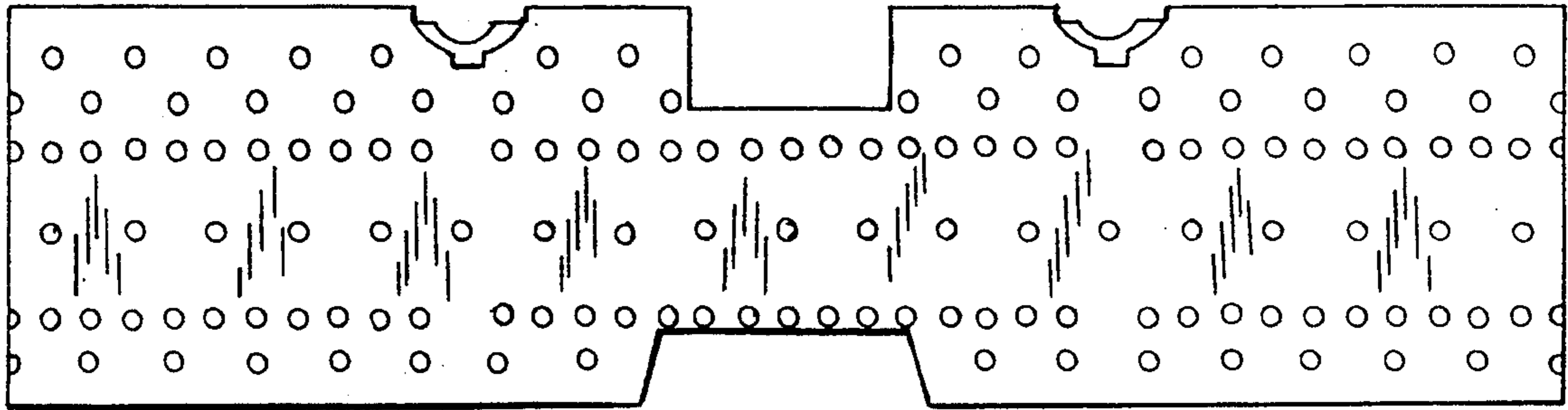


FIG-1

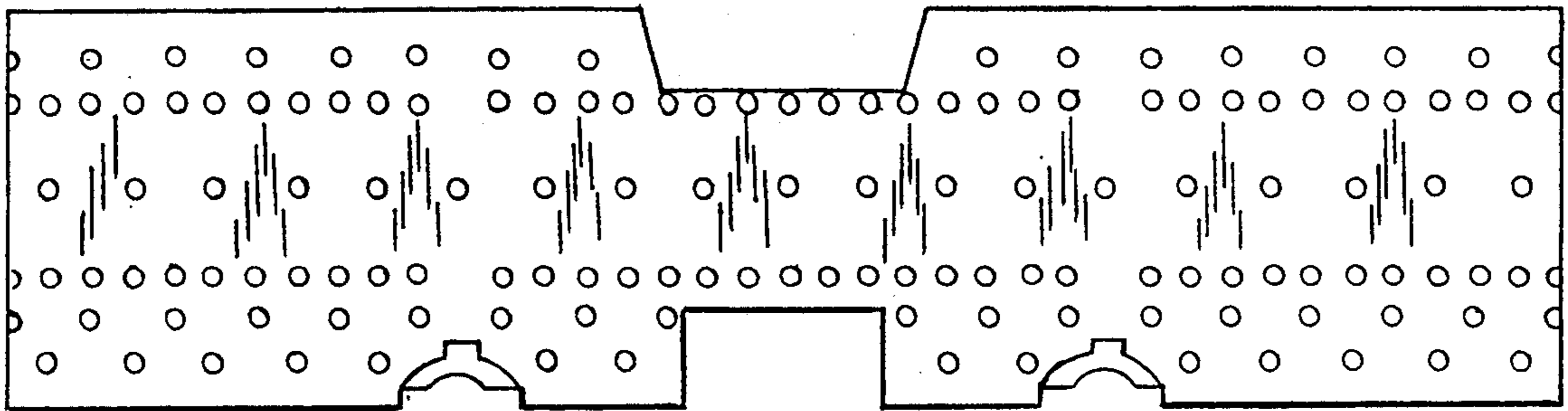


FIG-2

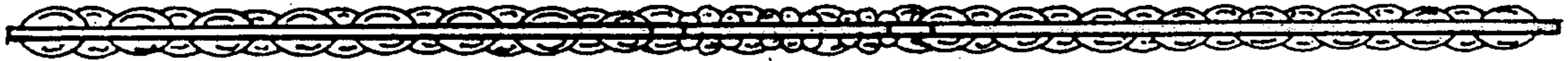


FIG-3



FIG-4



FIG-5