



US00D362499S

# United States Patent [19]

Kerner et al.

[11] Patent Number: **Des. 362,499**

[45] Date of Patent: **\*\* Sep. 19, 1995**

[54] **THERMOELECTRIC POWER MODULE FOR PLACEMENT IN THE WALL OF A CONTAINER FOR KEEPING THE CONTENTS THEREOF COOL OR WARM**

[76] Inventors: **James M. Kerner**, 779 Hillgrove Ct., Chico, Calif. 95926; **W. Henry Kahl**, 1107 E. Wayne Ave., Wooster, Ohio 44691

[\*\*] Term: **14 Years**

[21] Appl. No.: **8,028**

[22] Filed: **May 7, 1993**

[52] U.S. Cl. .... **D23/386; D23/314; D23/328**

[58] Field of Search ..... **D23/314, 386, 328, 332; 62/3.6, 457.7, 457.9; 392/363, 364, 370; D15/89**

[56] **References Cited**

**U.S. PATENT DOCUMENTS**

3,821,881	7/1974	Harkias .....	62/3.6
4,007,600	2/1977	Simms .....	62/3.6
4,274,262	6/1981	Reed et al. ....	62/3
4,311,017	1/1982	Reed et al. ....	62/3
4,326,383	4/1982	Reed et al. ....	62/3
4,346,562	8/1982	Beitner .....	62/3
4,759,190	7/1988	Trachtenberg et al. ....	62/3

4,823,554	4/1989	Trachtenberg et al. ....	62/3
5,060,479	10/1991	Carmi et al. ....	62/362

**OTHER PUBLICATIONS**

“1991 Coleman Outdoor Products, Inc.”, catalog pp. 38 & 39, The Coleman Company, Inc., 250 North St. Francis, Wichita, Kans. 67202; 1990.

“Igloo 1992 Product Catalog and price List”, catalog pp. 2 & 3, Igloo Products Corp., P.O.Box 19322, Houston, Tex. 77224-9322; 1991.

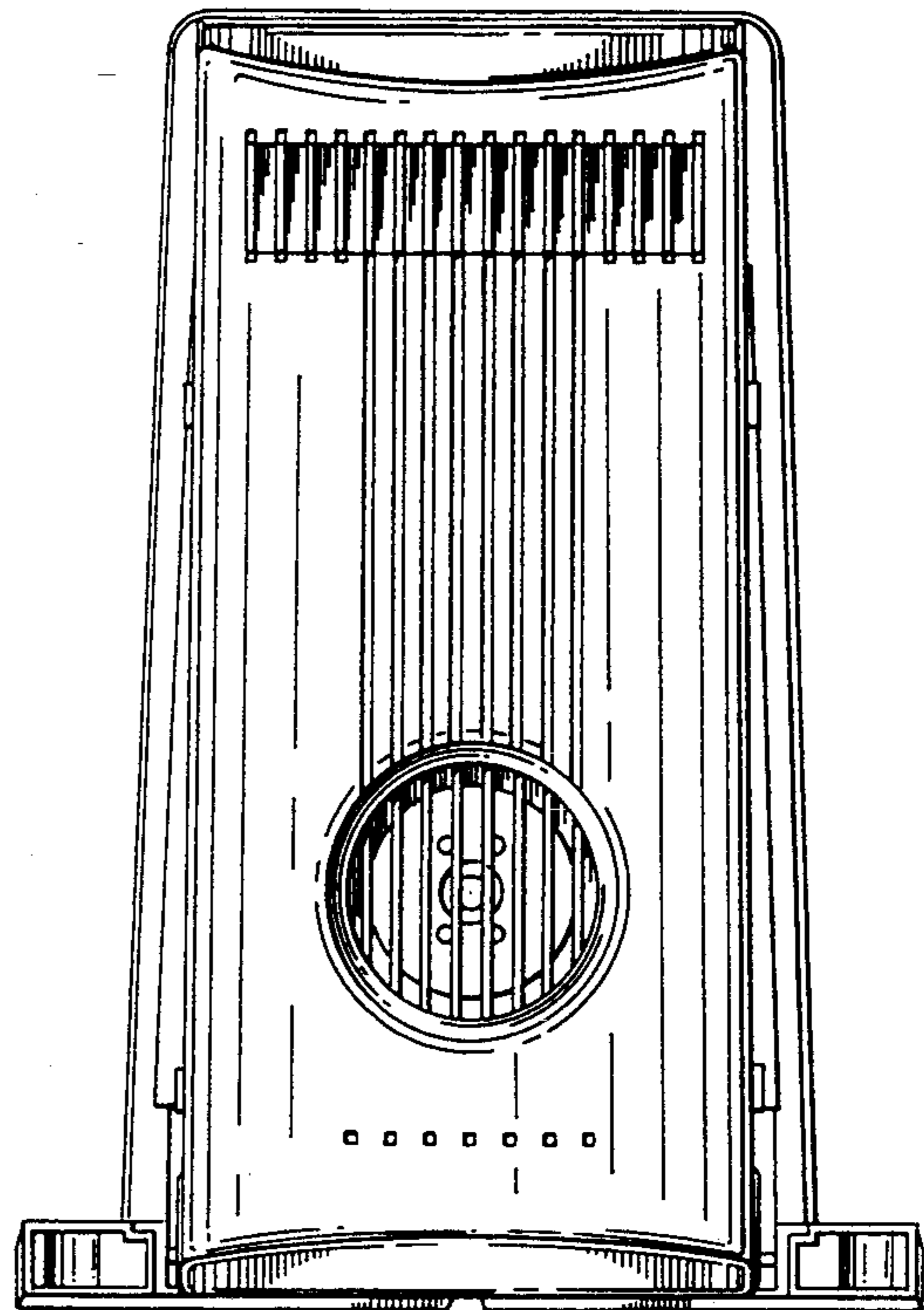
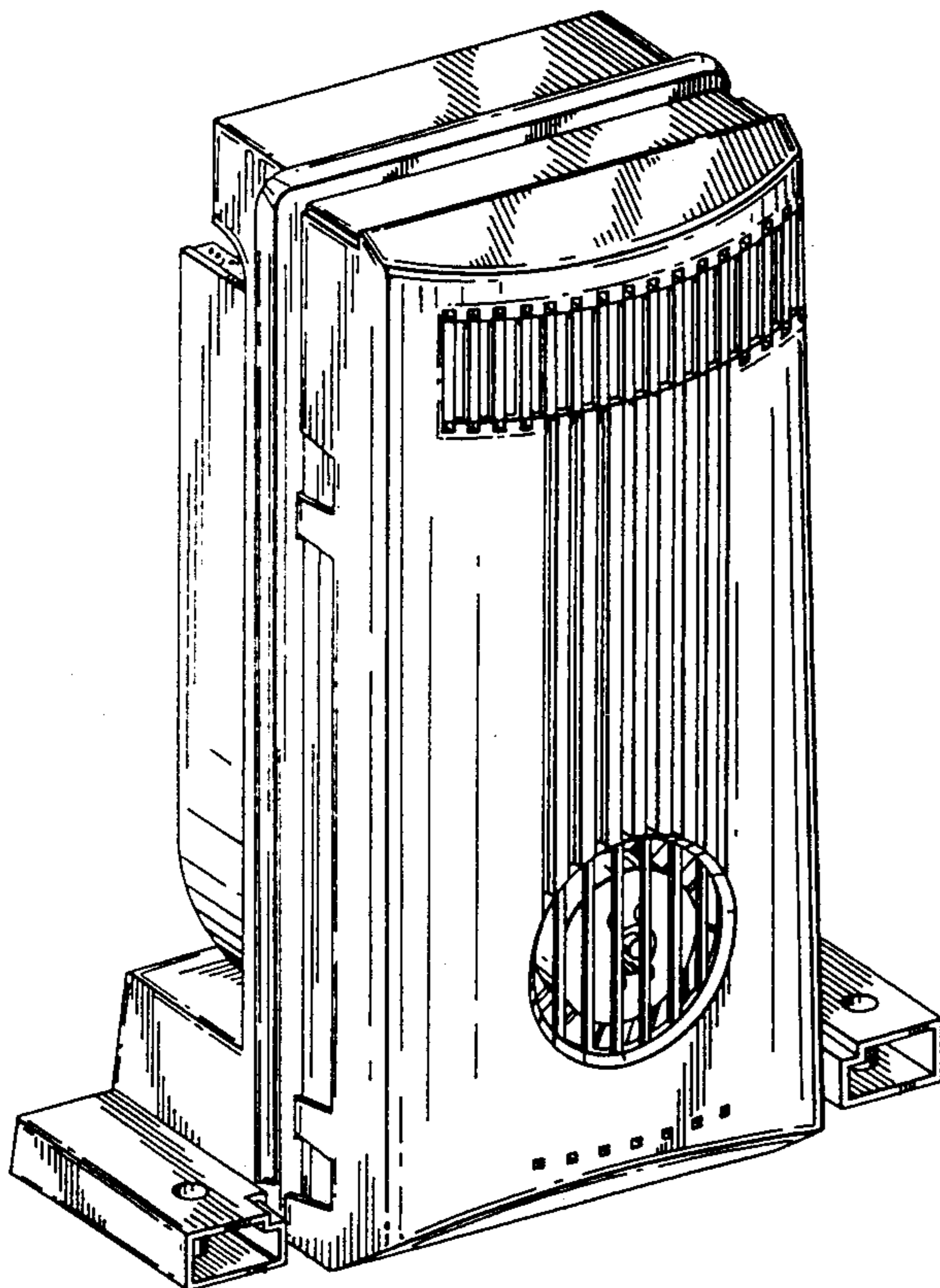
*Primary Examiner*—Lisa P. Lichtenstein  
*Attorney, Agent, or Firm*—Ronald C. Fish

[57] **CLAIM**

The ornamental design for a thermoelectric power module for a placement in the wall of a container for keeping the contents thereof cool or warm, as shown and described.

**DESCRIPTION**

FIG. 1 is a perspective view of a thermoelectric power module embodying our new design; FIG. 2 is a front elevational view thereof; FIG. 3 is a side elevational view thereof, showing the side opposite to that which appears in FIG. 1; FIG. 4 is a rear elevational view thereof; FIG. 5 is a top plan view thereof; and, FIG. 6 is a bottom plan view thereof.



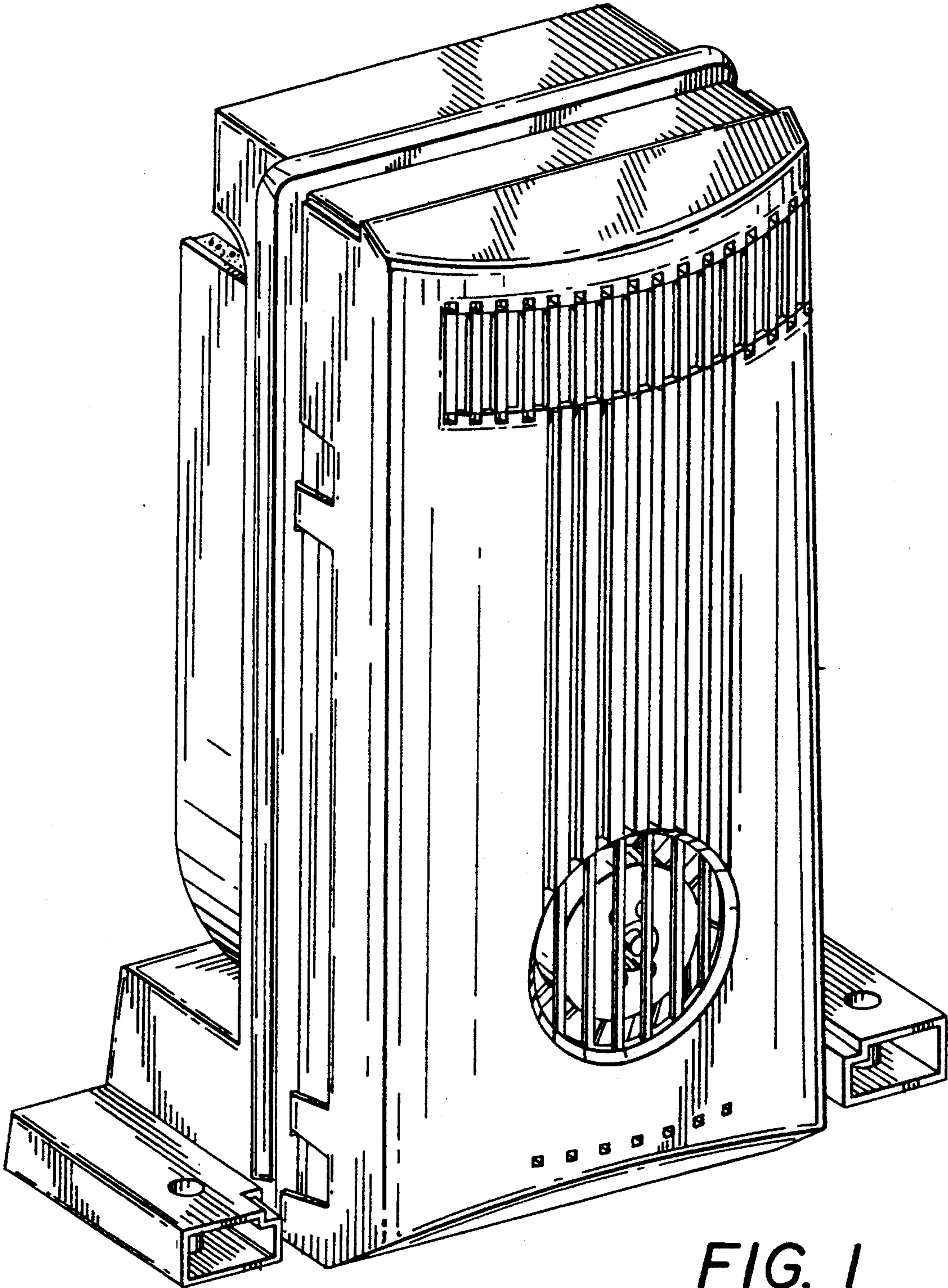


FIG. 1

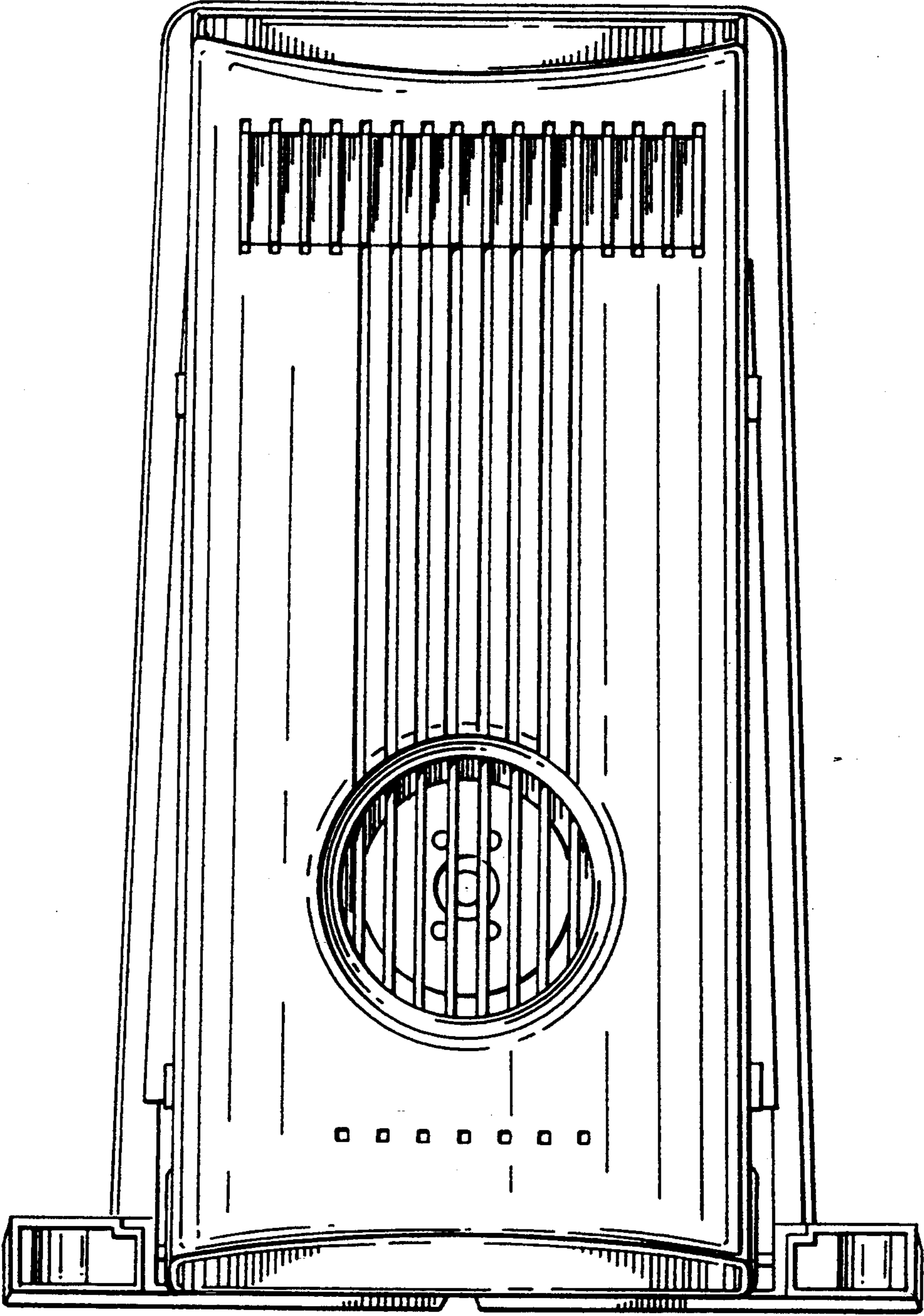
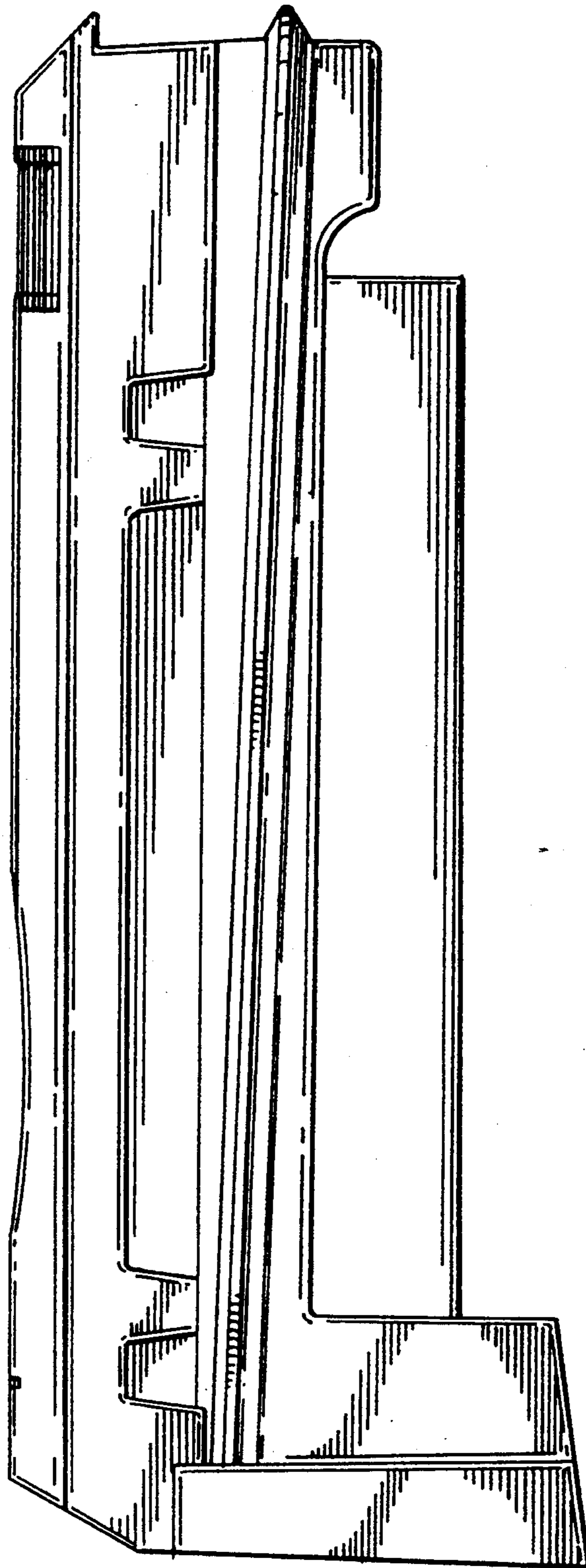


FIG. 2



*FIG. 3*

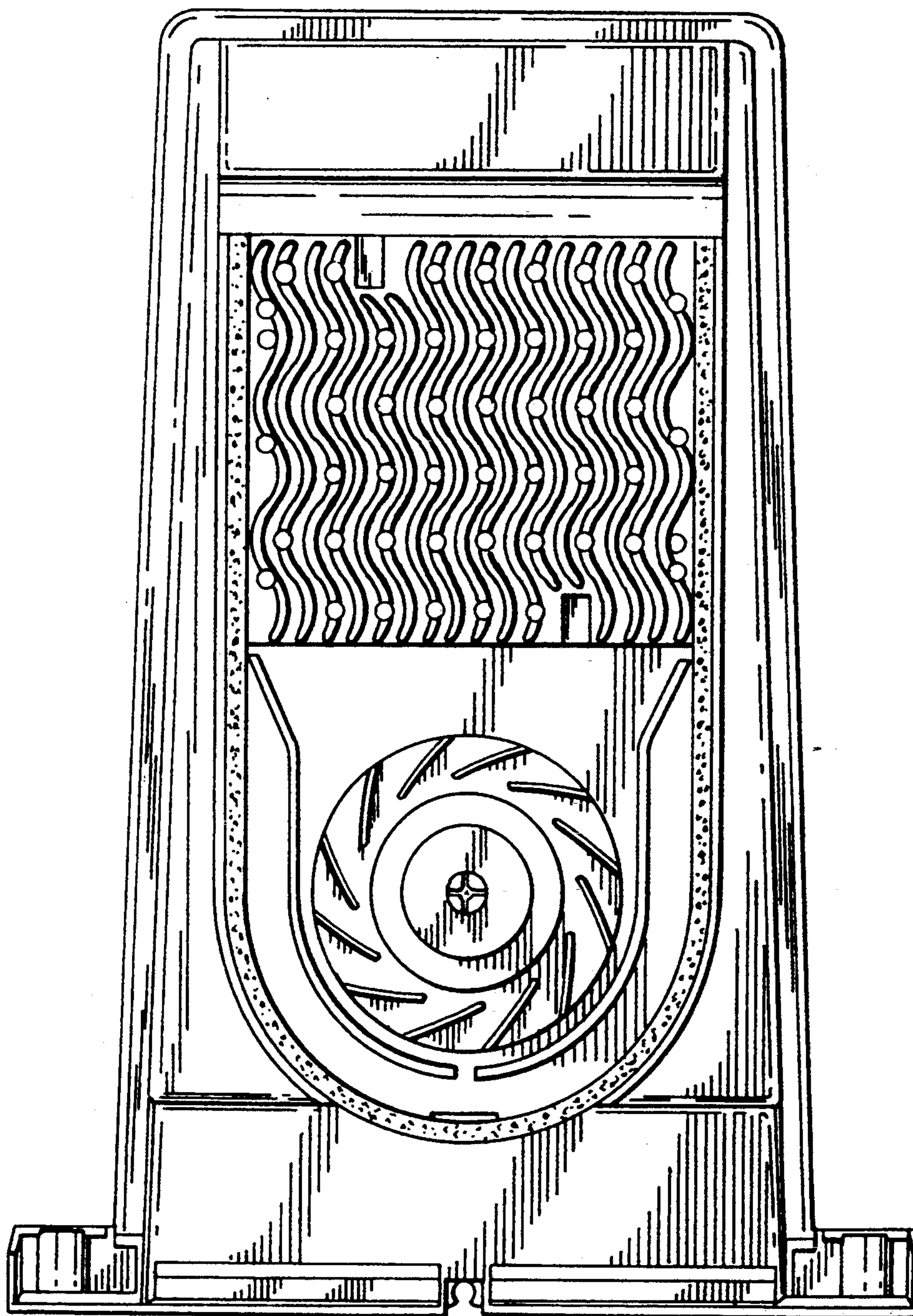


FIG. 4

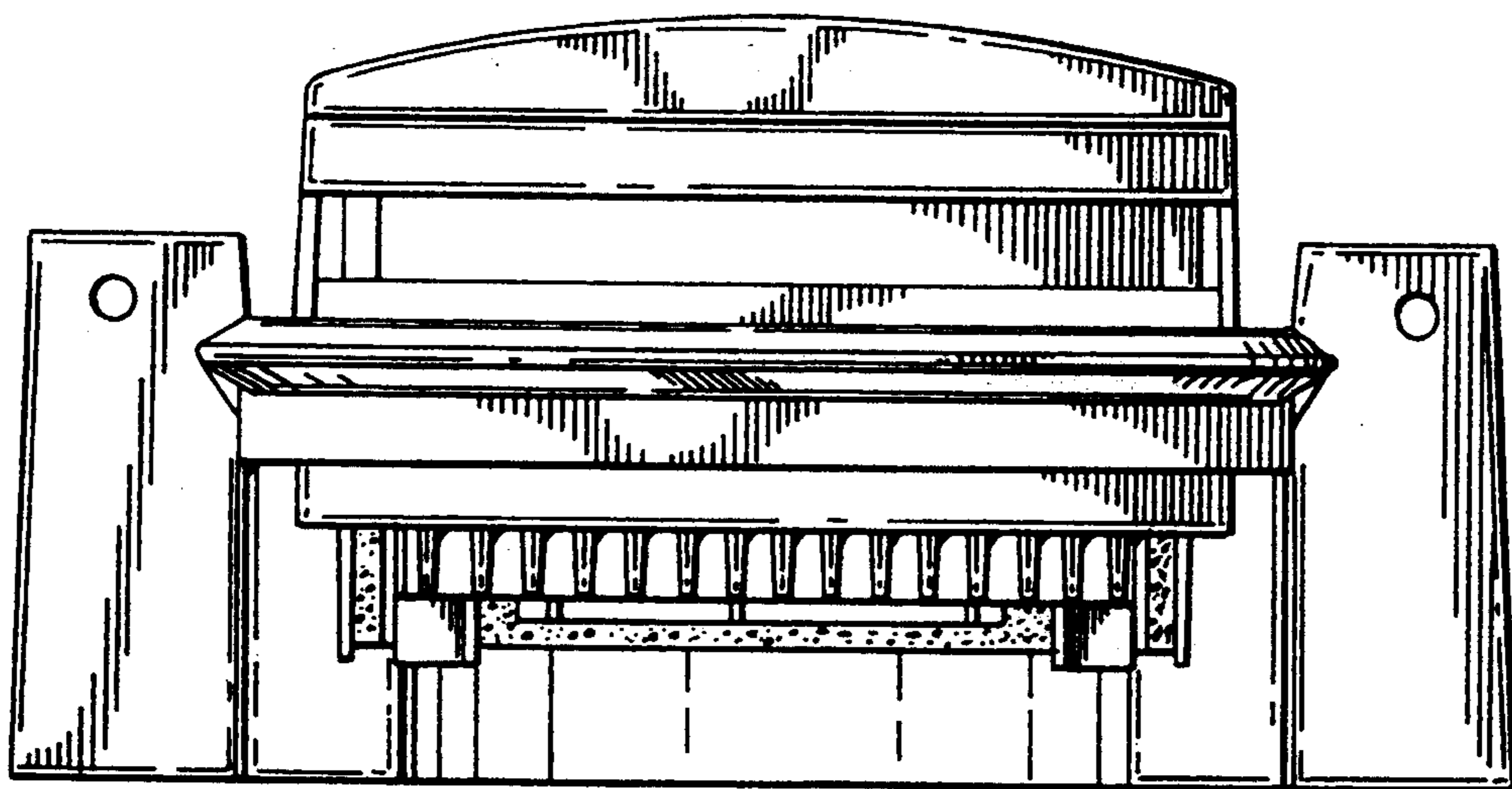


FIG. 5

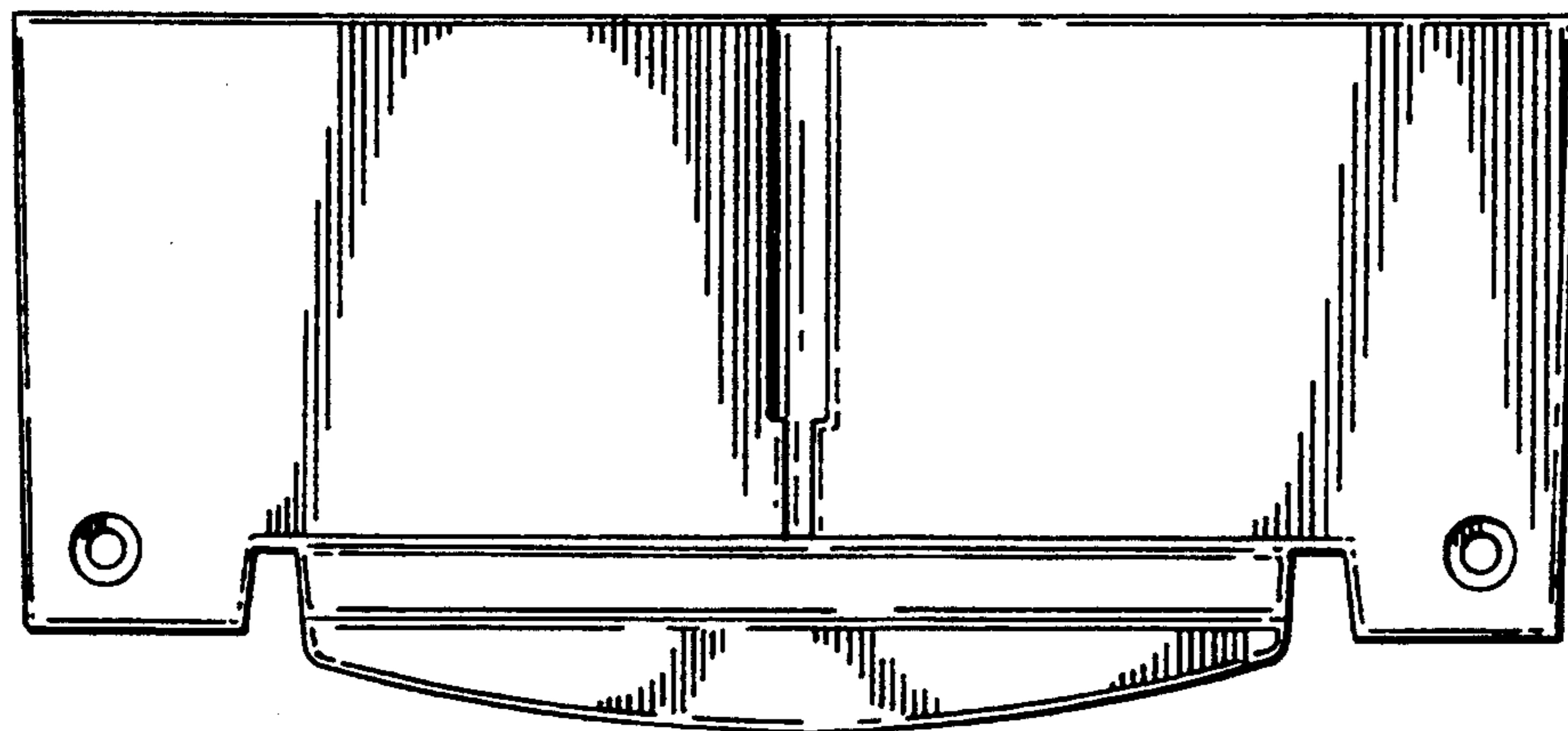


FIG. 6