



US00D362493S

# United States Patent [19]

[11] Patent Number: **Des. 362,493**

Begum

[45] Date of Patent: **\*\* Sep. 19, 1995**

[54] **WARMER FOR DISPOSABLE TOWELS**

4,700,048 10/1987 Levy .

[76] Inventor: **Michael Begum**, 2356 Quail Trail,  
Brownsville, Tex. 78520

*Primary Examiner*—Brian N. Vinson  
*Attorney, Agent, or Firm*—Terry M. Gernstein

[\*\*] Term: **14 Years**

[57] **CLAIM**

[21] Appl. No.: **8,508**

The ornamental design for a warmer for disposable towels, as shown and described.

[22] Filed: **May 19, 1993**

**DESCRIPTION**

[52] U.S. Cl. .... **D23/314**

FIG. 1 is a top, front, and right side perspective of a warmer for disposable towels showing my new design, the power cord being shown broken-away to indicate indeterminate length;

[58] Field of Search ..... D23/314, 332, 336;  
219/342, 366, 385-386, 520-521

FIG. 2 is a front end elevational view thereof;

[56] **References Cited**

**U.S. PATENT DOCUMENTS**

- D. 298,770 11/1988 DeMars ..... D23/314
- D. 301,608 6/1989 Ballard et al. .... D23/332 X
- D. 301,923 6/1989 Koschuta ..... D23/332 X
- 4,495,402 1/1985 Burdick .
- 4,694,973 9/1987 Rose .

FIG. 3 is a rear end elevational view thereof;

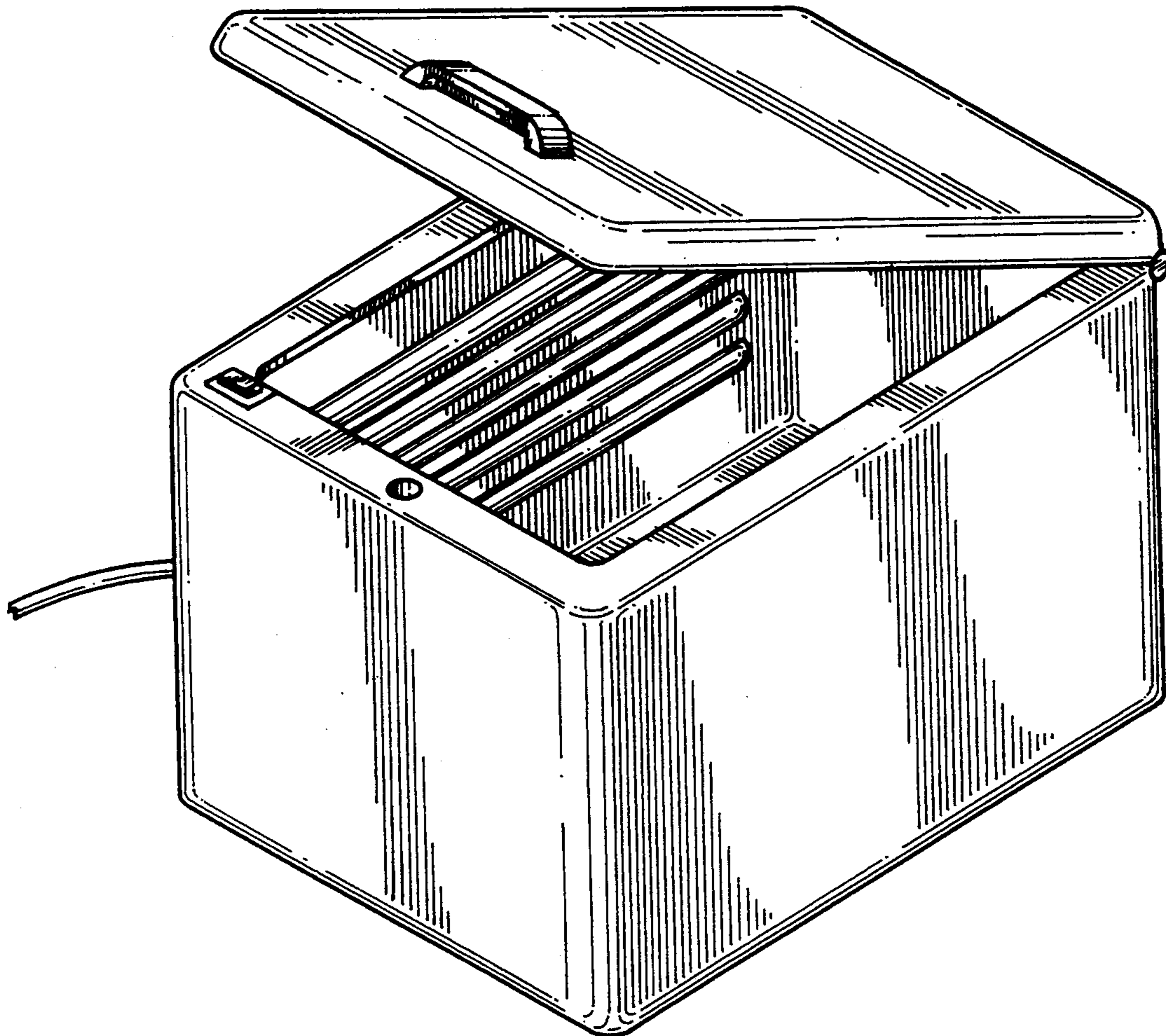
FIG. 4 is a left side elevational view thereof;

FIG. 5 is a right side elevational view thereof;

FIG. 6 is a top plan view thereof;

FIG. 7 is a bottom plan view thereof; and,

FIG. 8 is a top plan view thereof in the open condition.



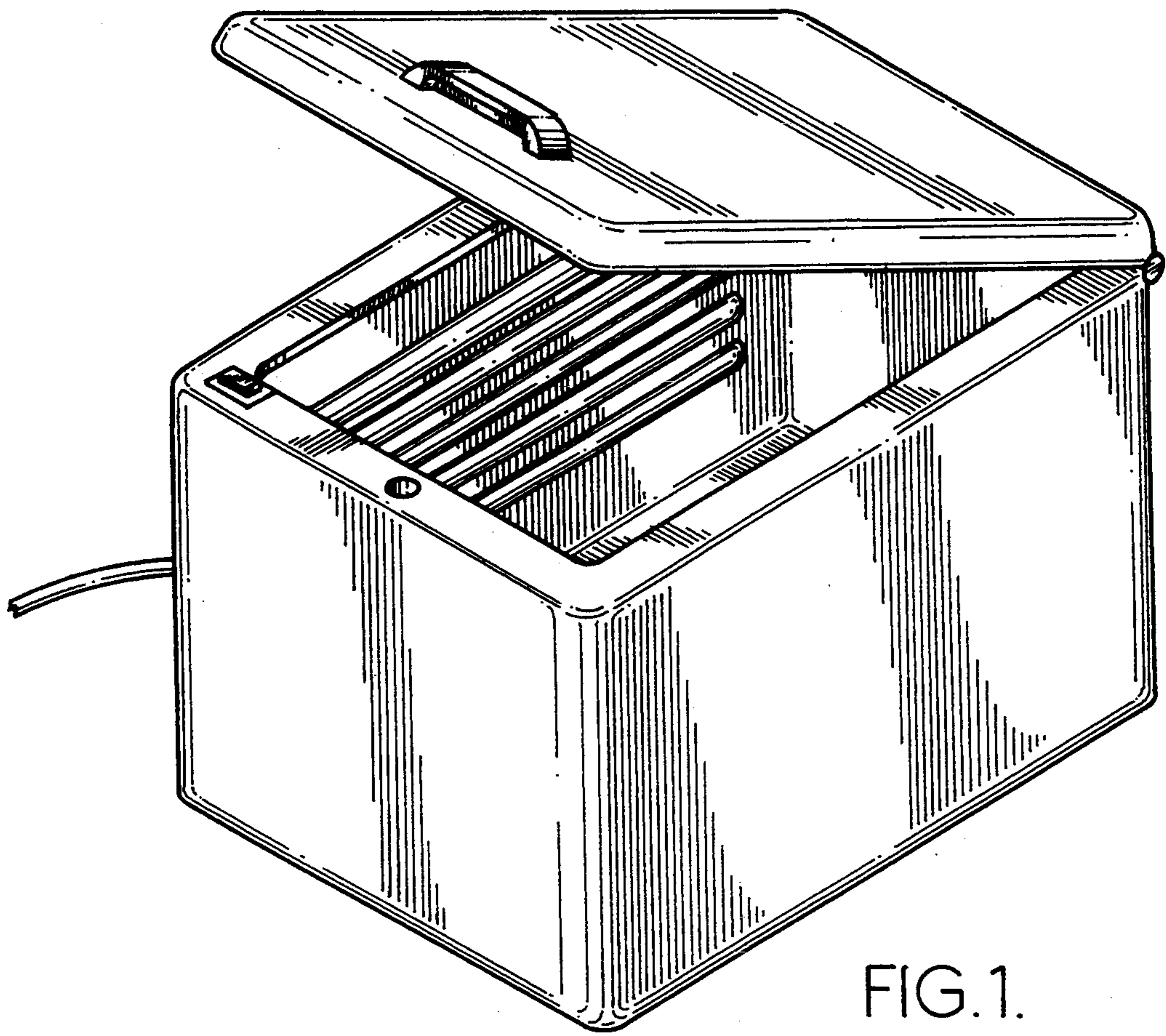


FIG.1.

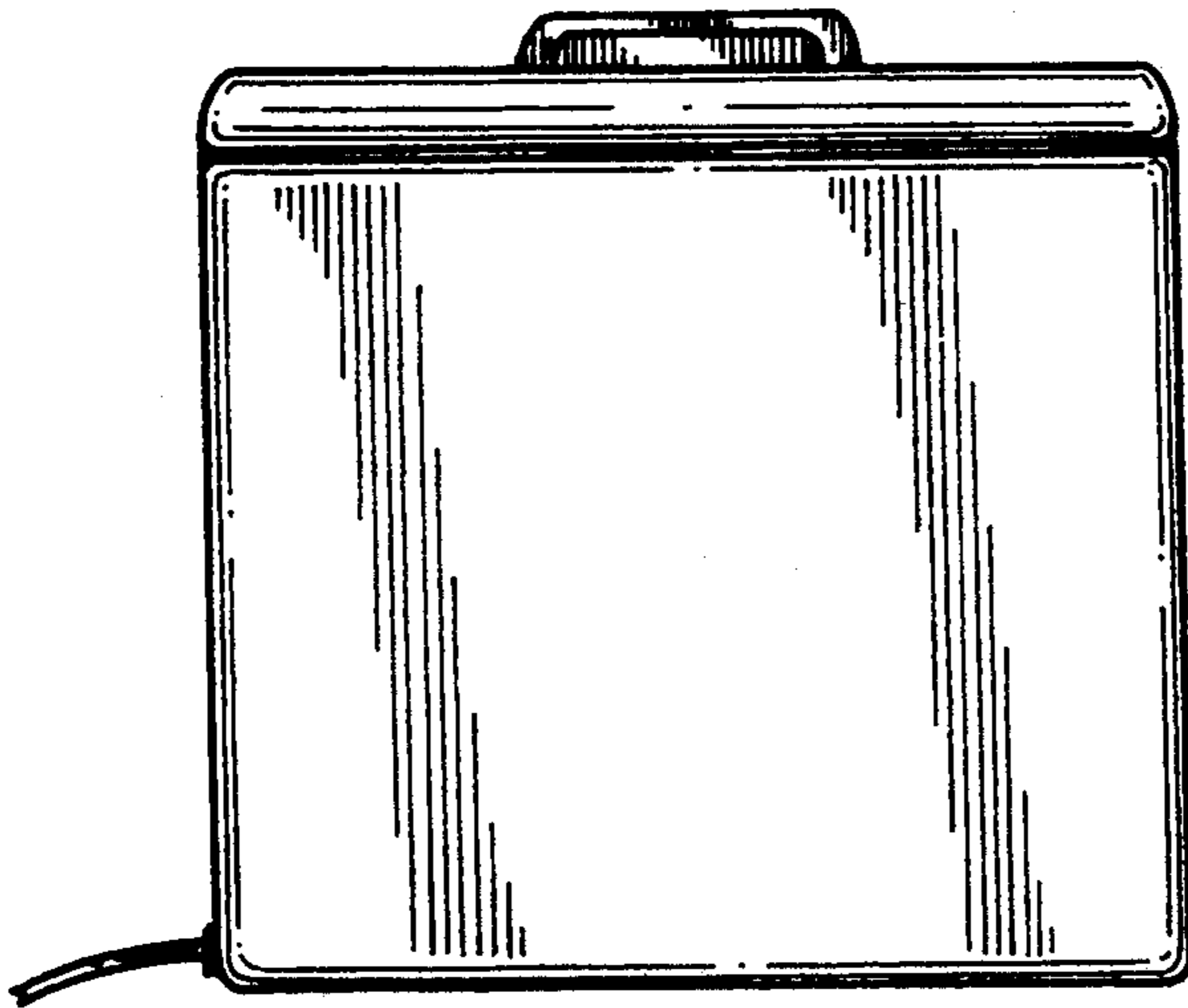


FIG. 2.

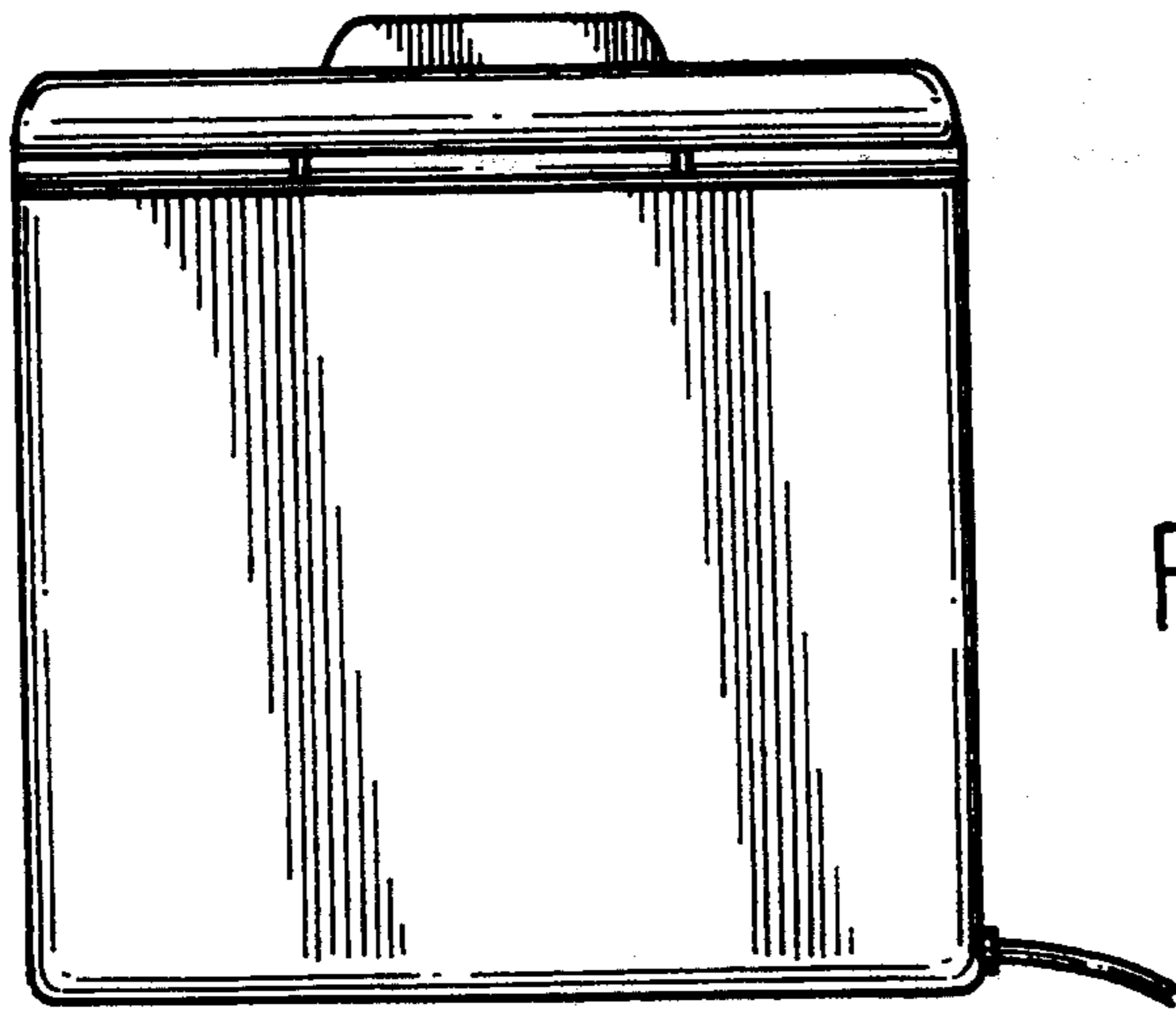


FIG. 3.

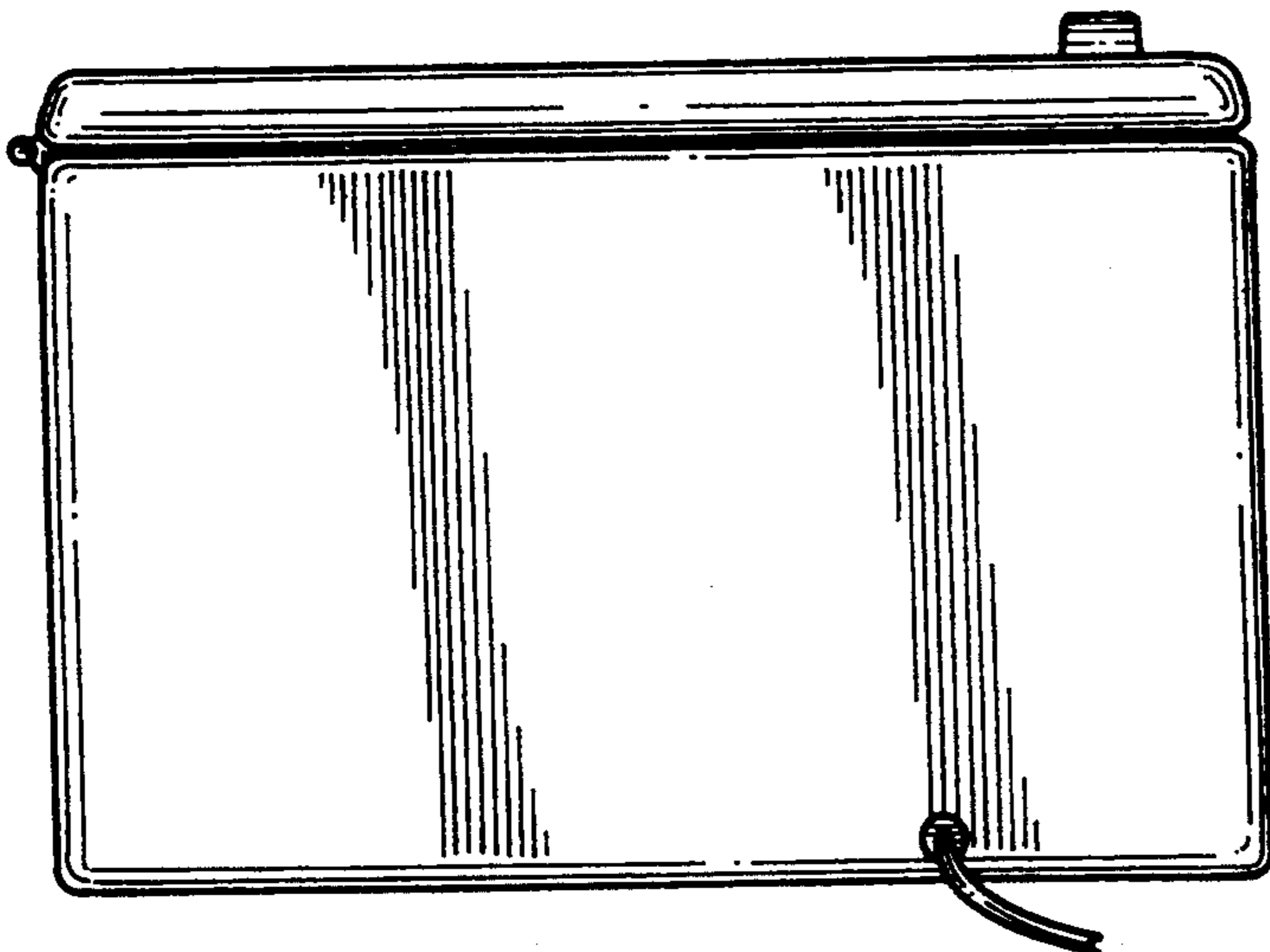


FIG. 4.

FIG. 5.

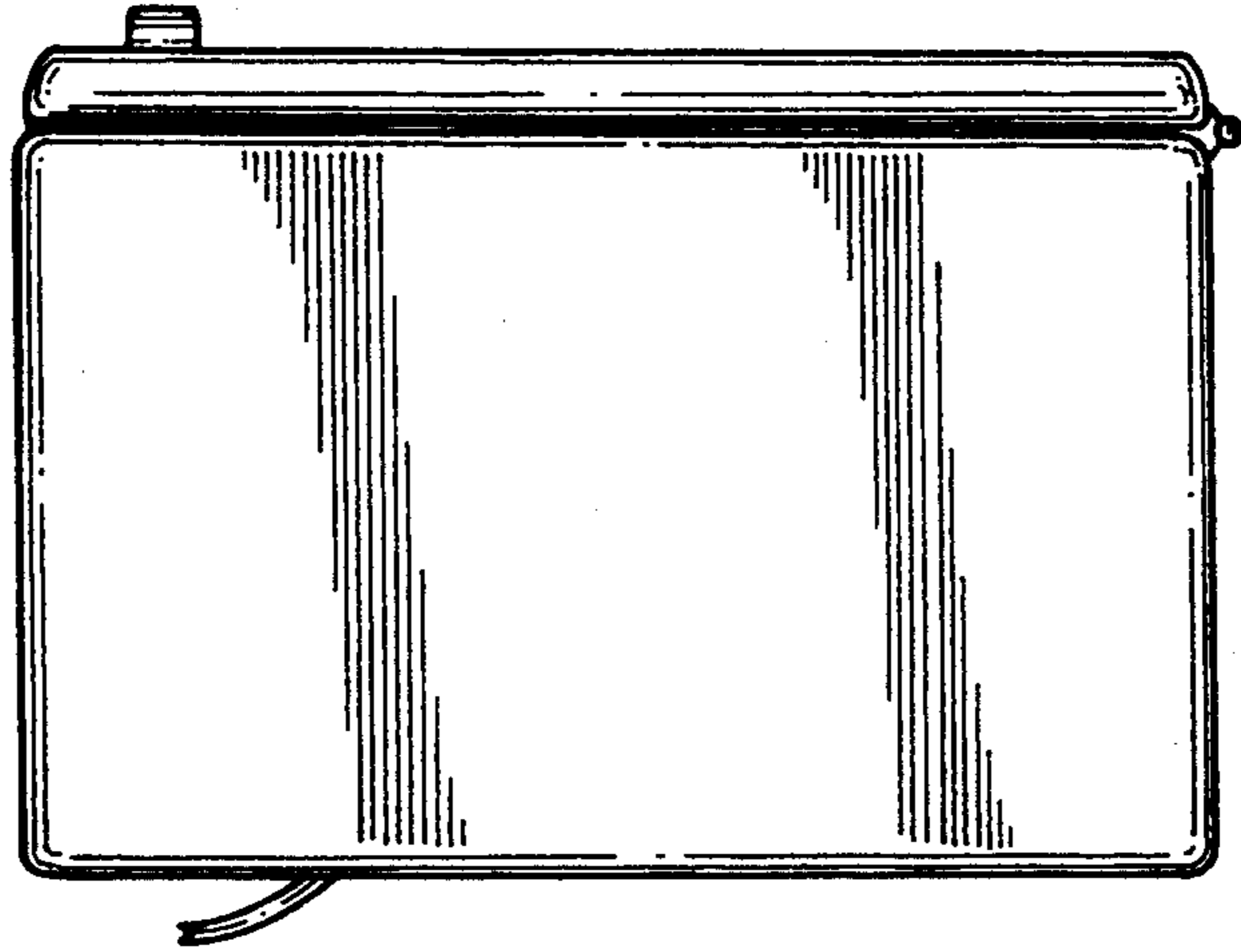


FIG. 6.

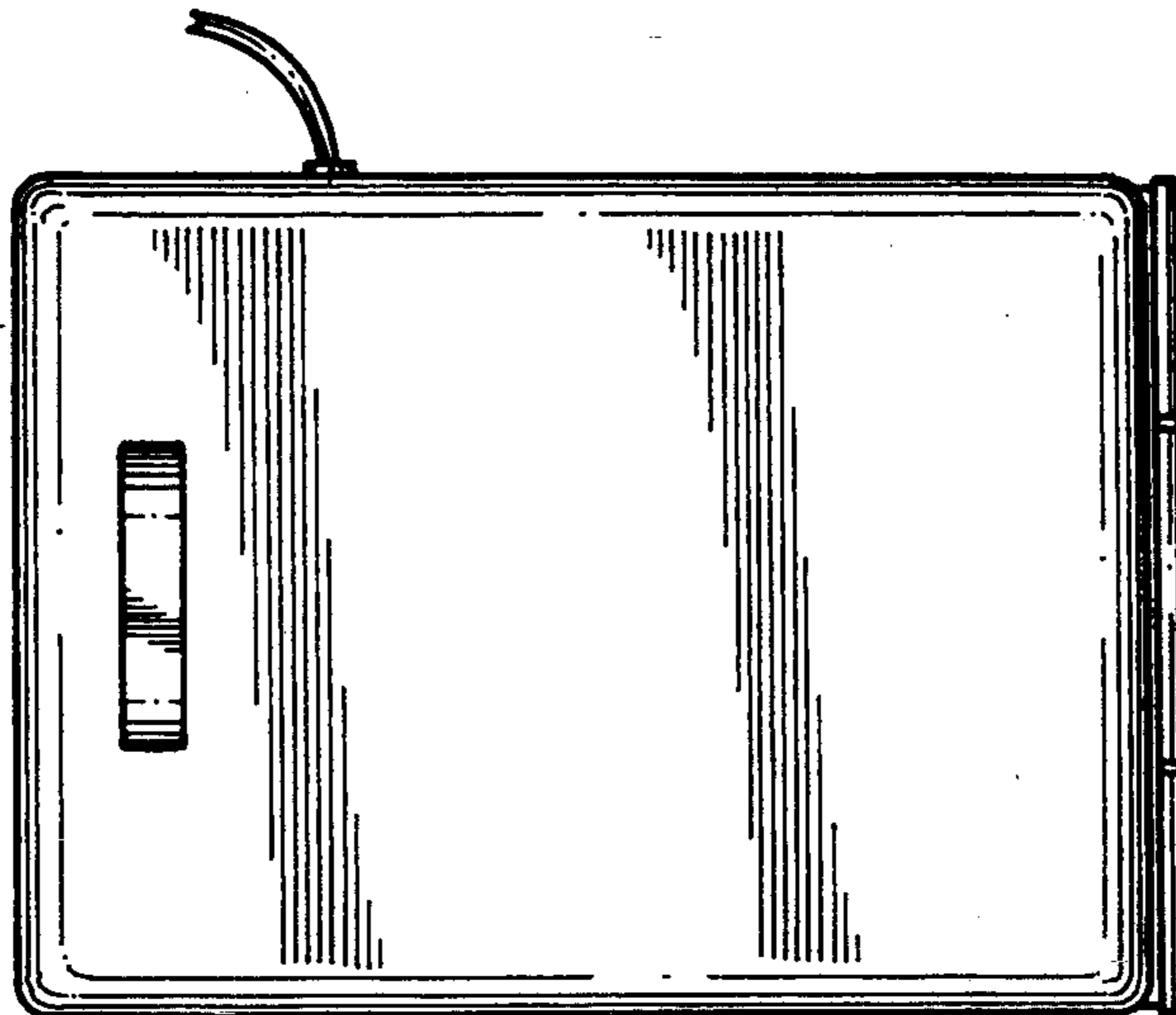
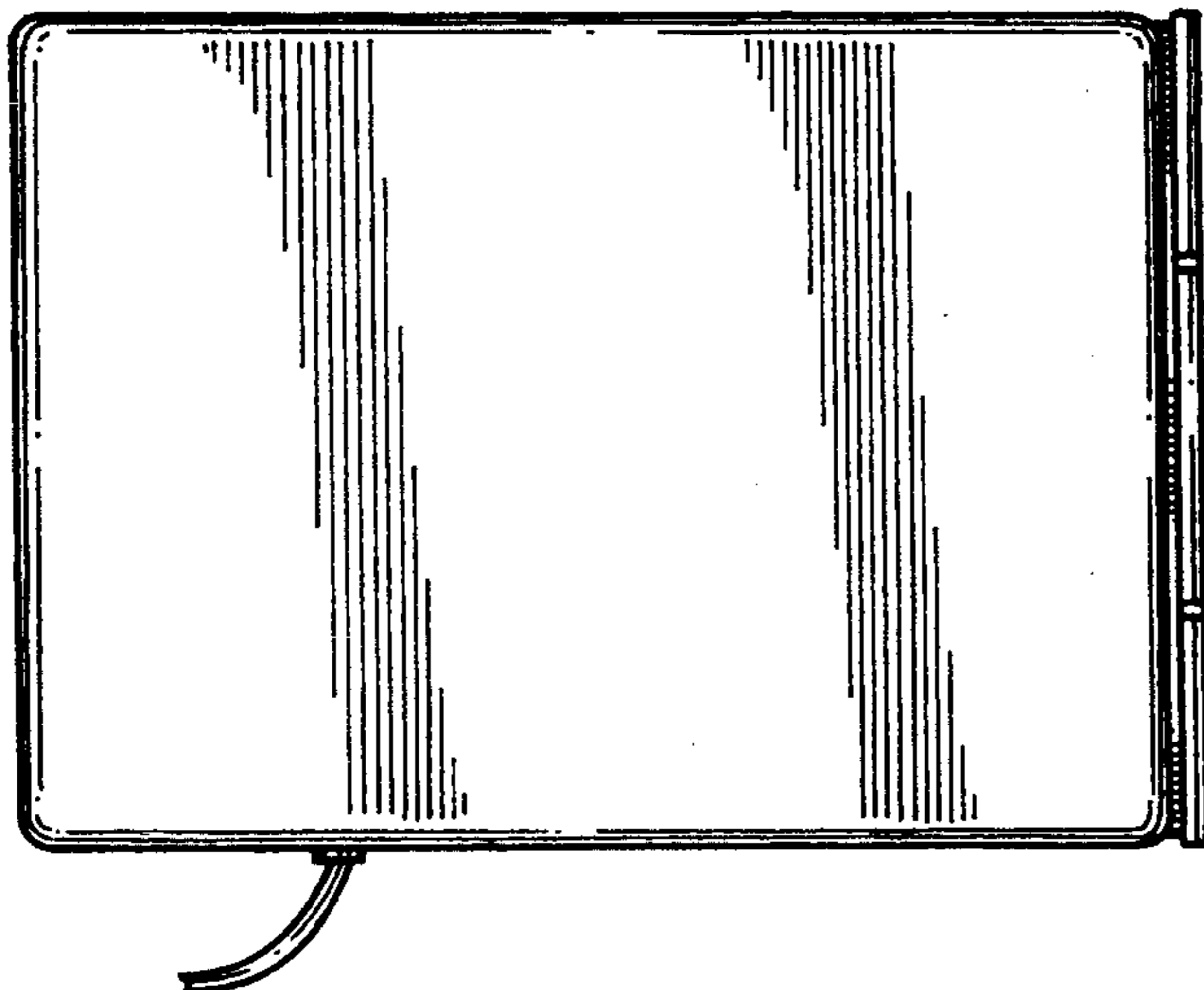


FIG. 7.



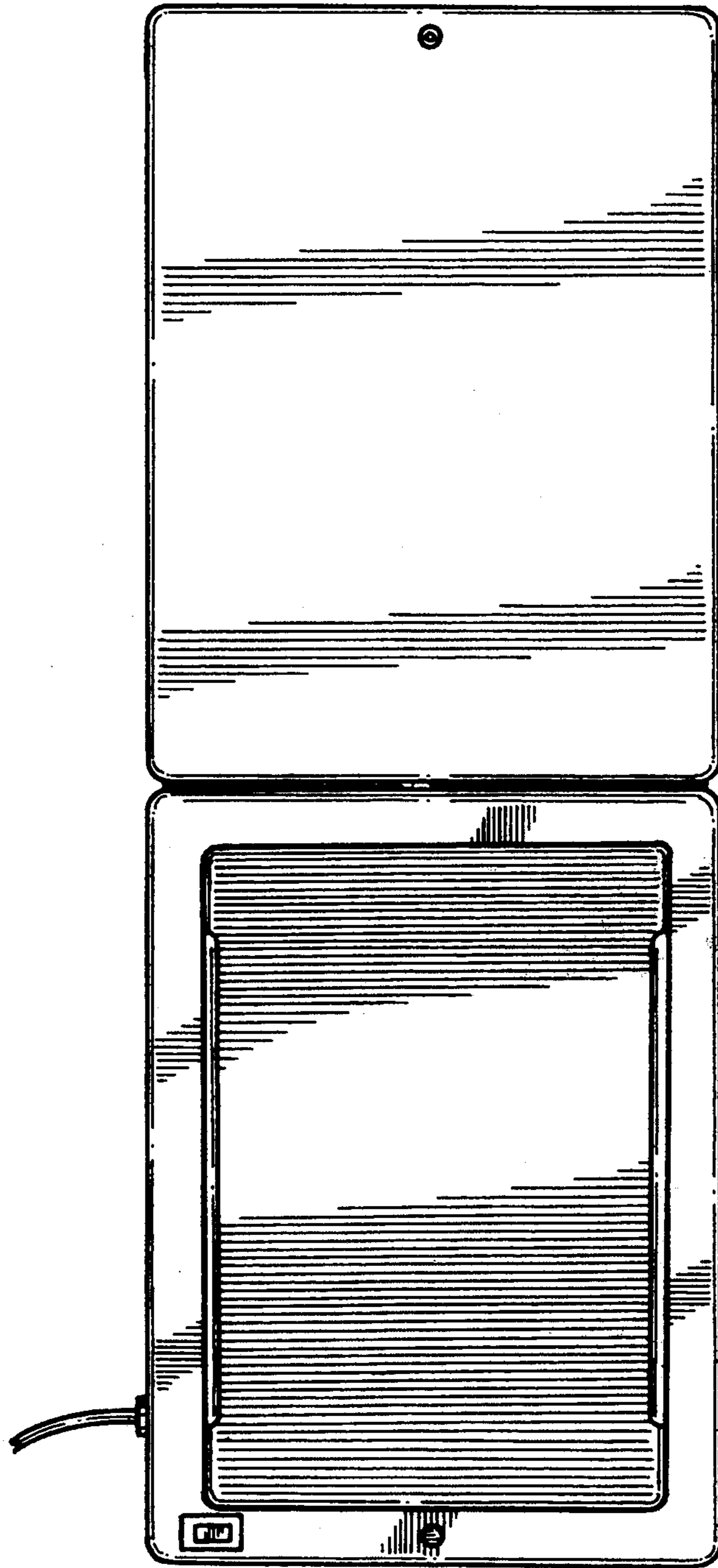


FIG. 8.