



US00D362489S

United States Patent [19]
Moon

[11] **Patent Number: Des. 362,489**

[45] **Date of Patent: ** Sep. 19, 1995**

[54] **MIXER TAP HANDLE**

[75] **Inventor: In-Ho Moon, Seoul, Rep. of Korea**

[73] **Assignee: American Standard Inc., Piscataway, N.J.**

[**] **Term: 14 Years**

[21] **Appl. No.: 18,873**

[22] **Filed: Feb. 17, 1994**

[30] **Foreign Application Priority Data**

Aug. 18, 1993 [KR] Rep. of Korea 199-16698

[52] **U.S. Cl. D23/252**

[58] **Field of Search D23/238-243, D23/249-254; D8/308, 310; 251/291, 292; 4/675-678; 137/801; 16/110 R, 111 R, 114 R, 118, 121, 123, 125, DIG. 24, DIG. 30, DIG. 41**

[56] **References Cited**

U.S. PATENT DOCUMENTS

D. 219,781 1/1971 Niemann D23/252

D. 221,431 8/1971 Petterson D23/252
5,231,731 8/1993 Jones, Jr. 16/121 X

Primary Examiner—Stella Reid

Assistant Examiner—Eric Watterson

Attorney, Agent, or Firm—Elaine Brenner Robinson; Ann M. Knab

[57] **CLAIM**

The ornamental design for a mixer tap handle, as shown and described.

DESCRIPTION

FIG. 1 is a perspective view of a mixer tap handle showing my new design;
FIG. 2 is a front view thereof;
FIG. 3 is a rear view thereof;
FIG. 4 is a left side view thereof, the right side view being a mirror image of the left side;
FIG. 5 is a top plan view thereof;
FIG. 6 is a bottom plan view thereof; and,
FIG. 7 is a sectional view taken from line 7—7 of FIG. 6.

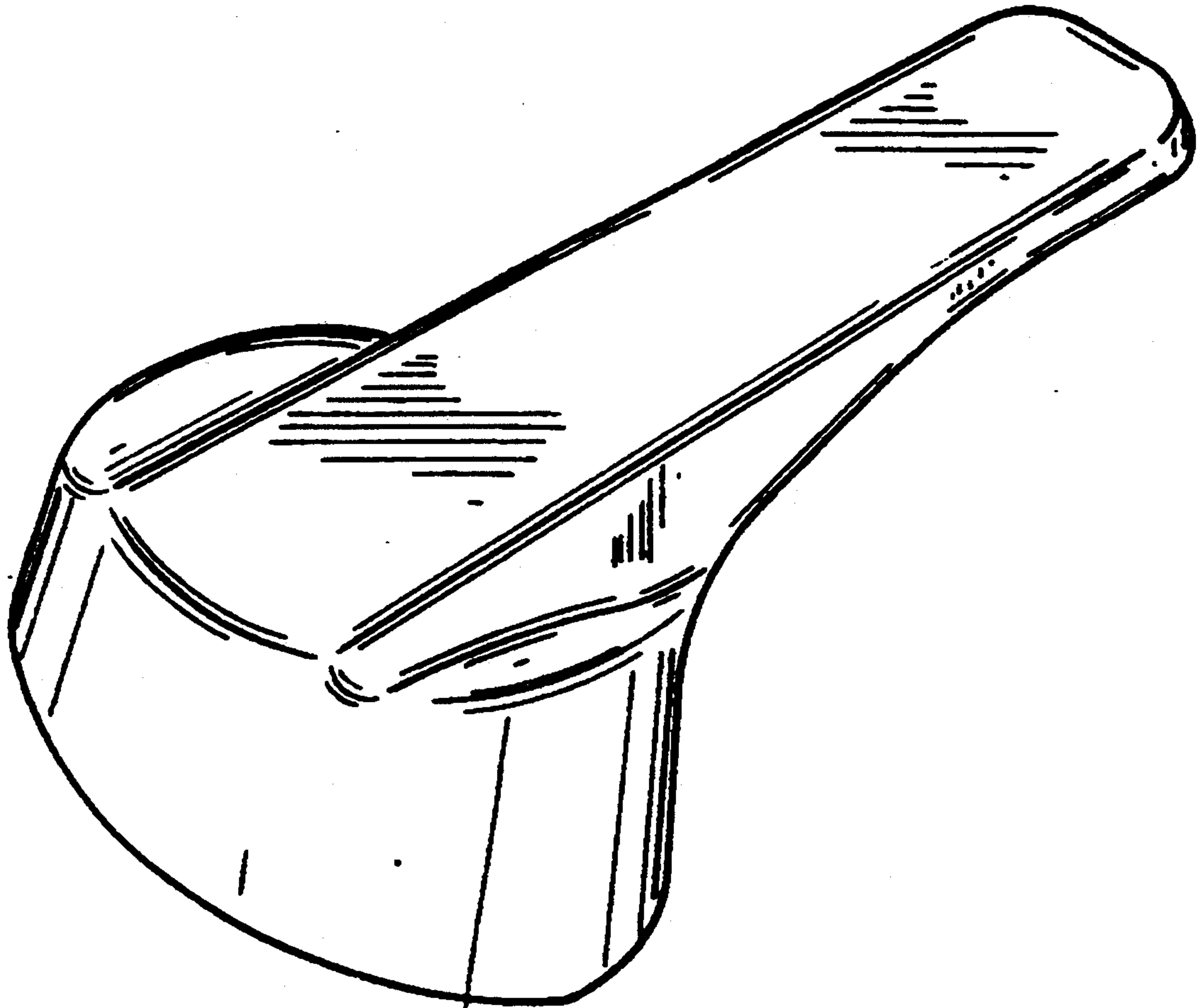


FIG. 1

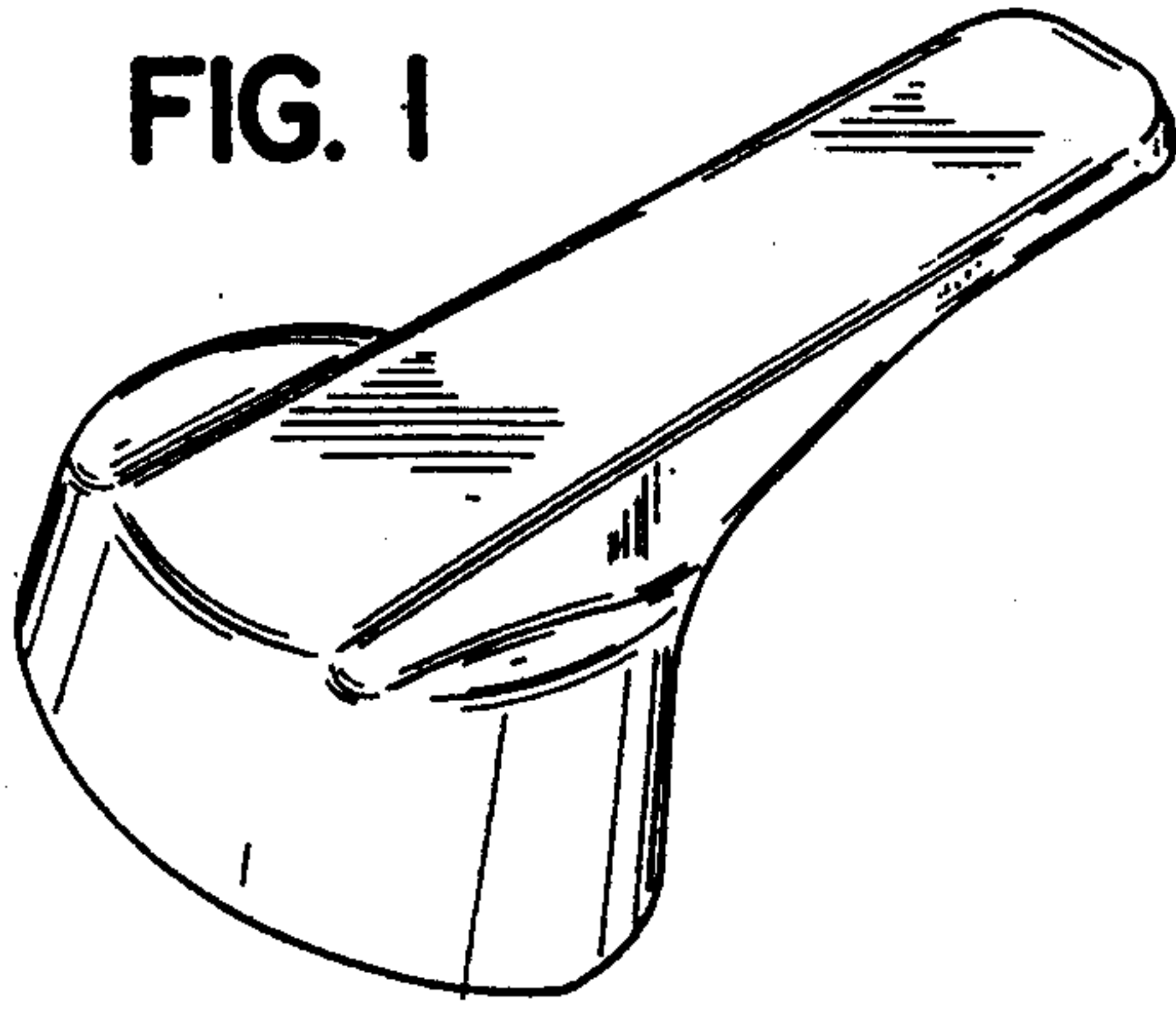


FIG. 2

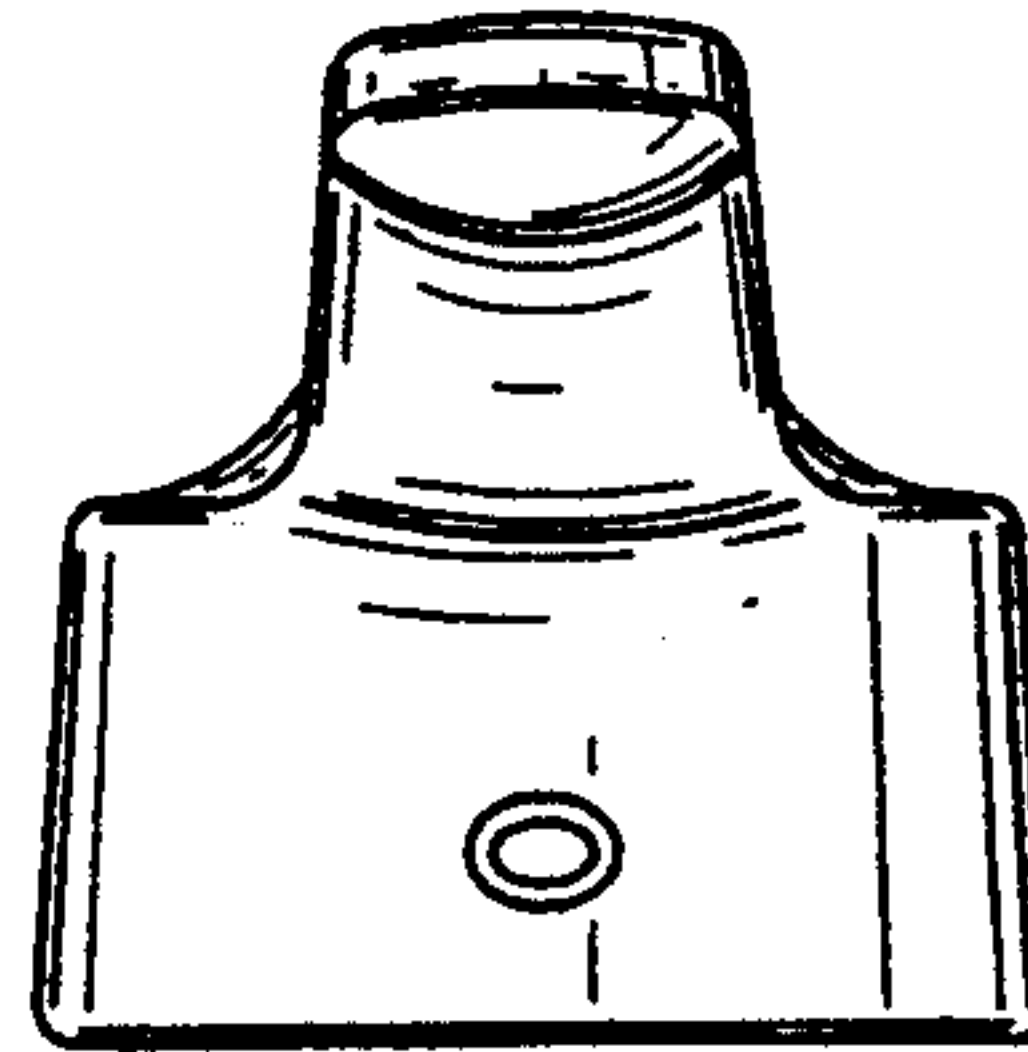


FIG. 3

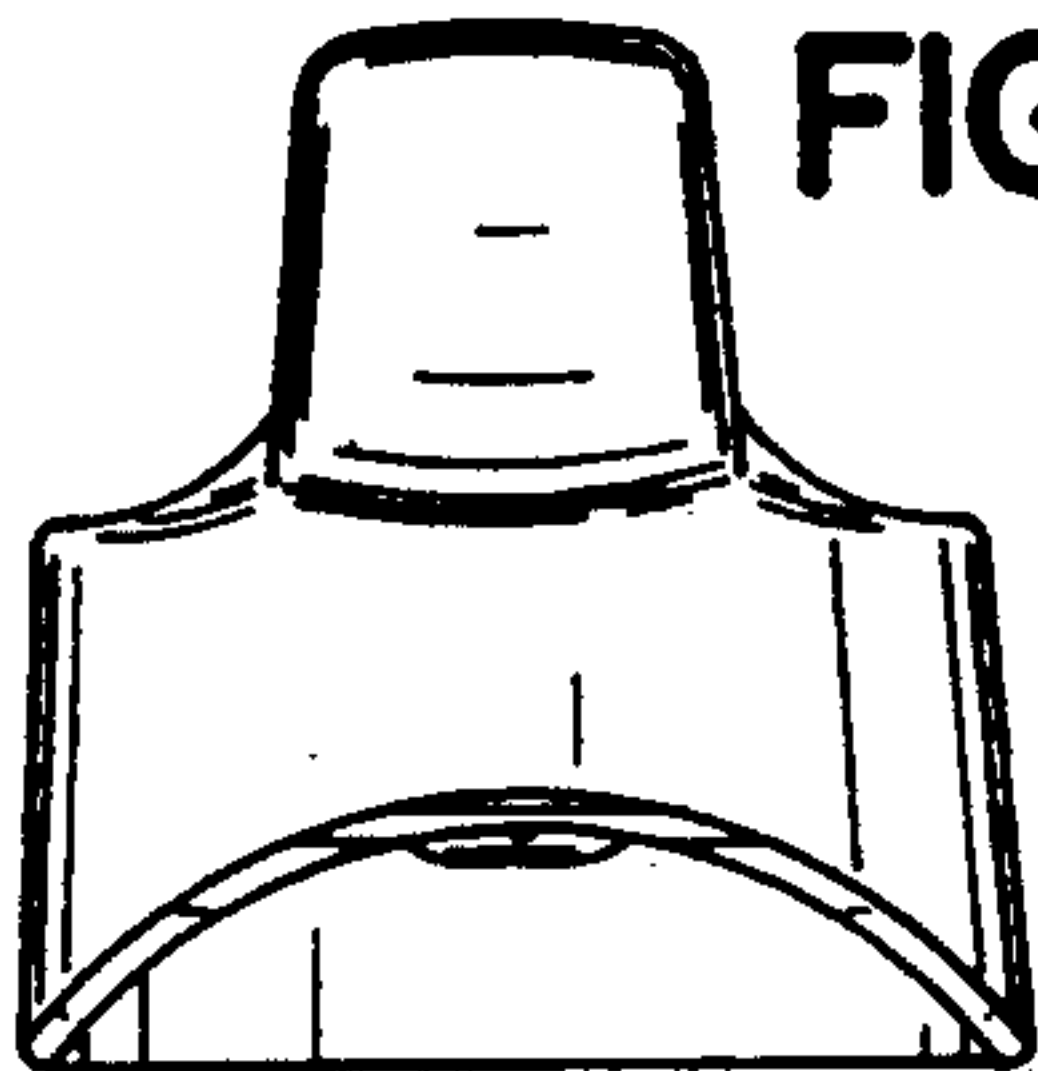


FIG. 4

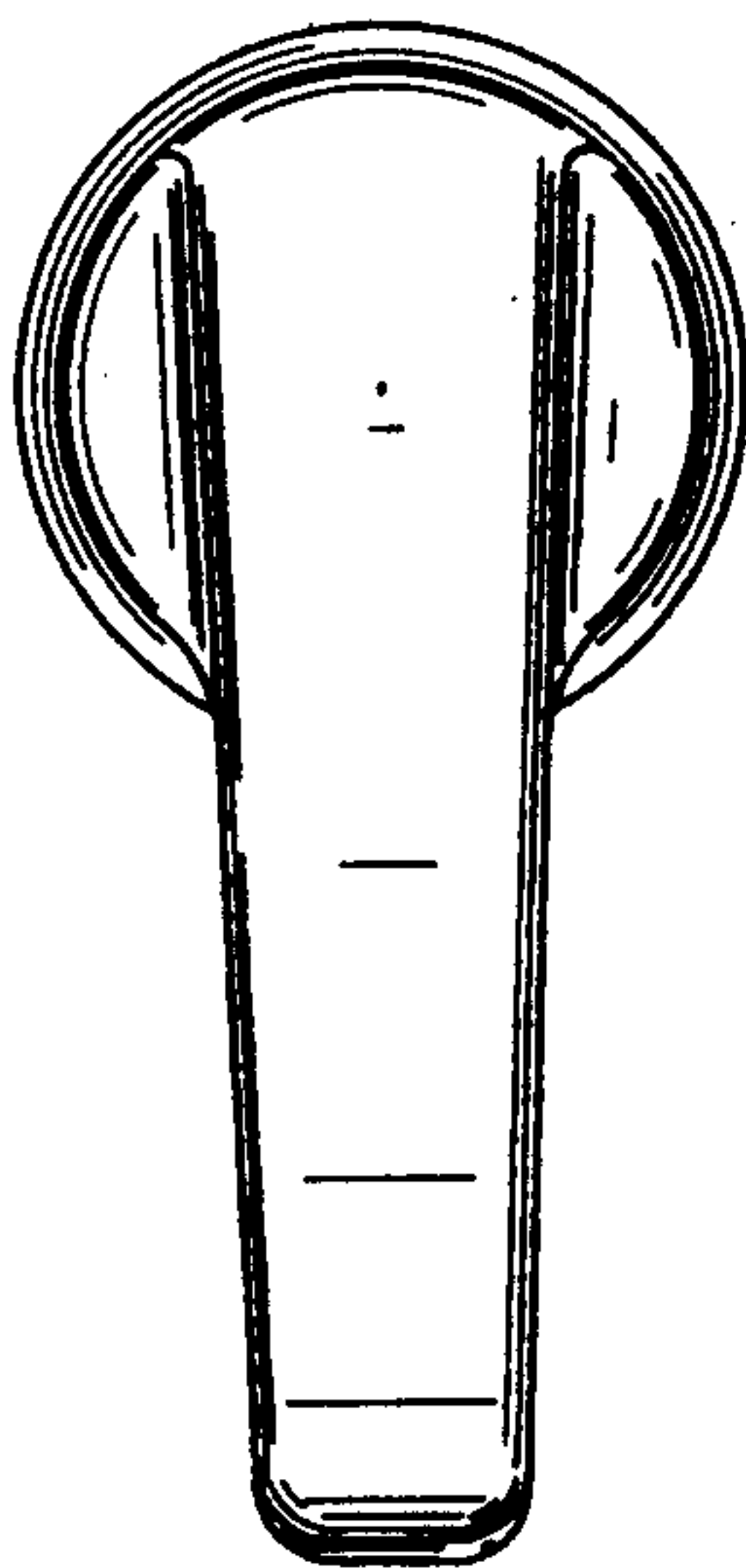
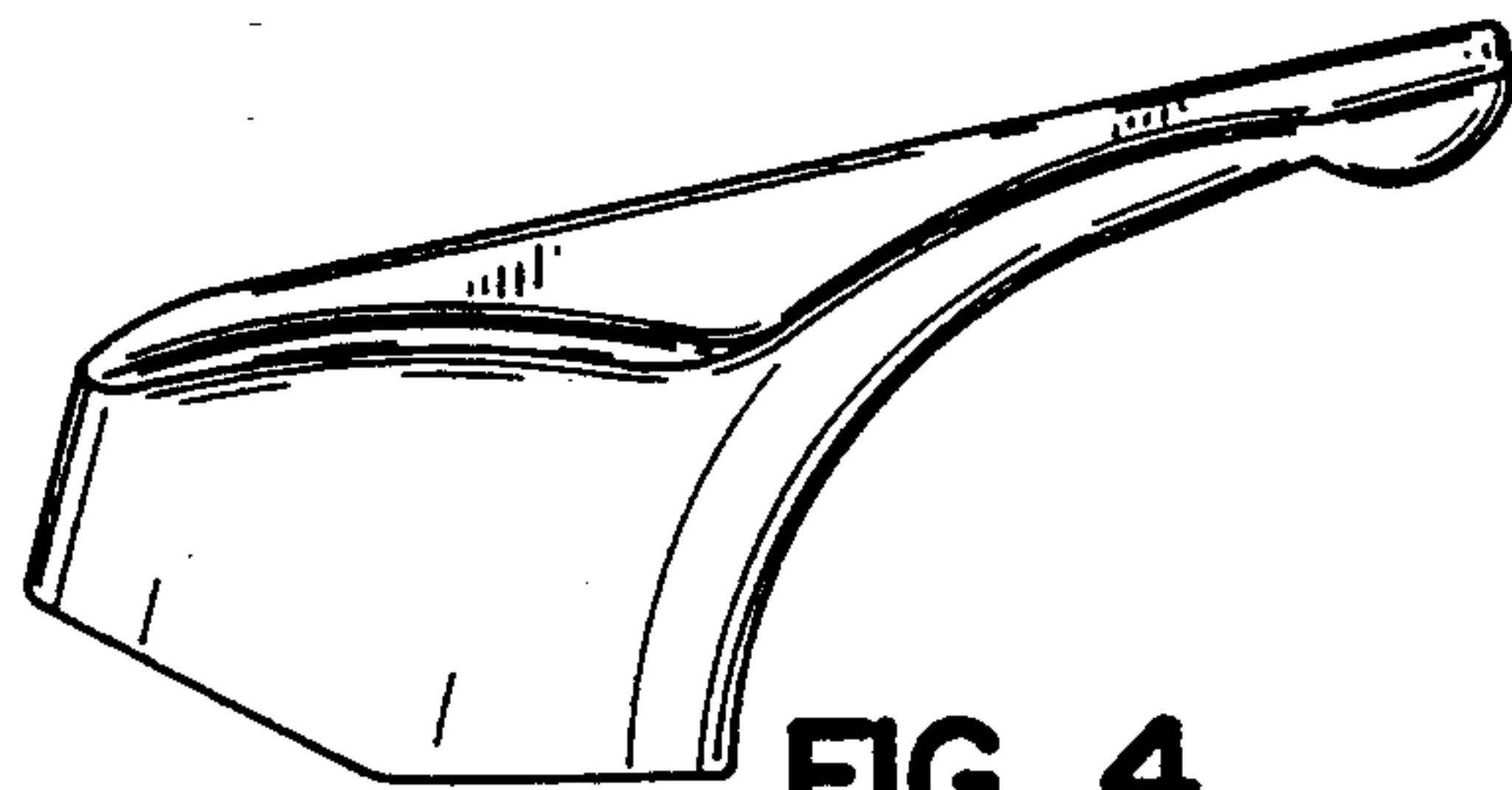


FIG. 5

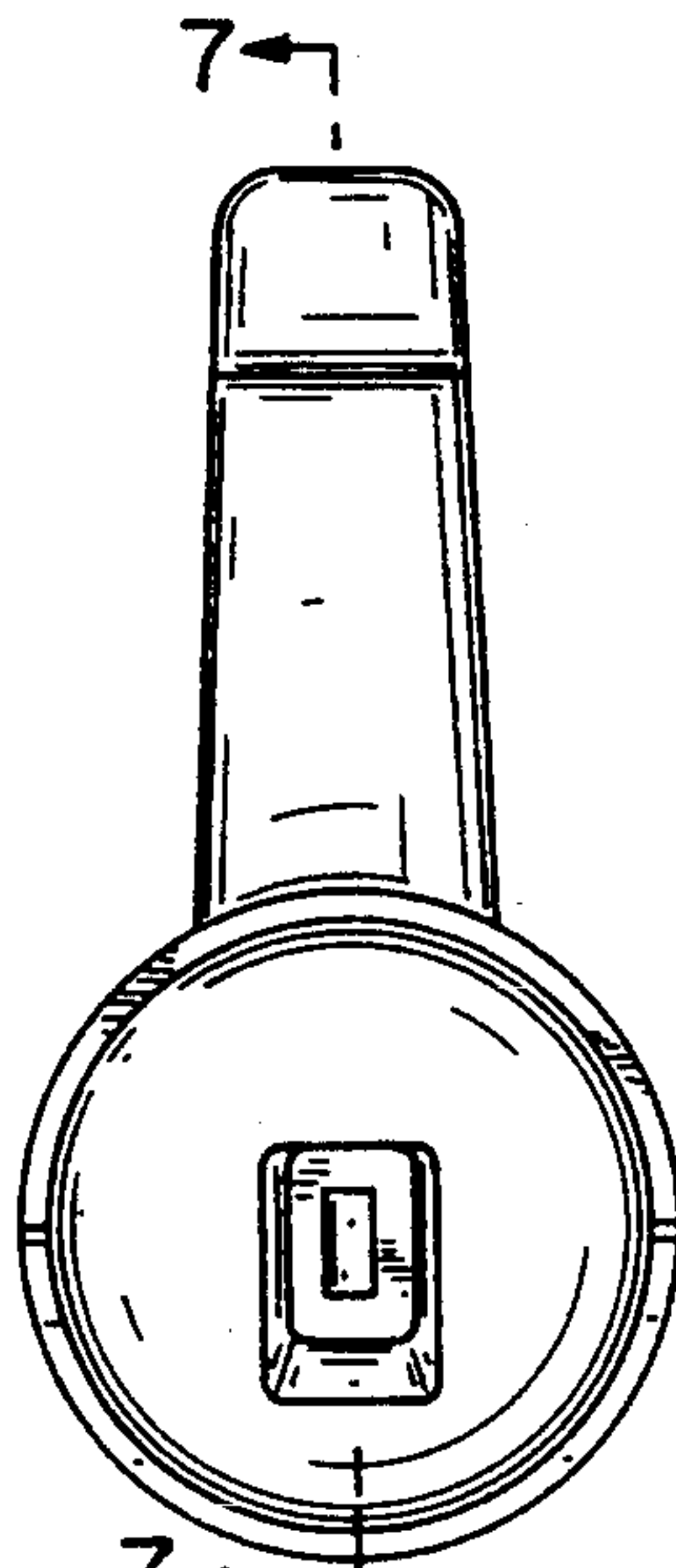


FIG. 6

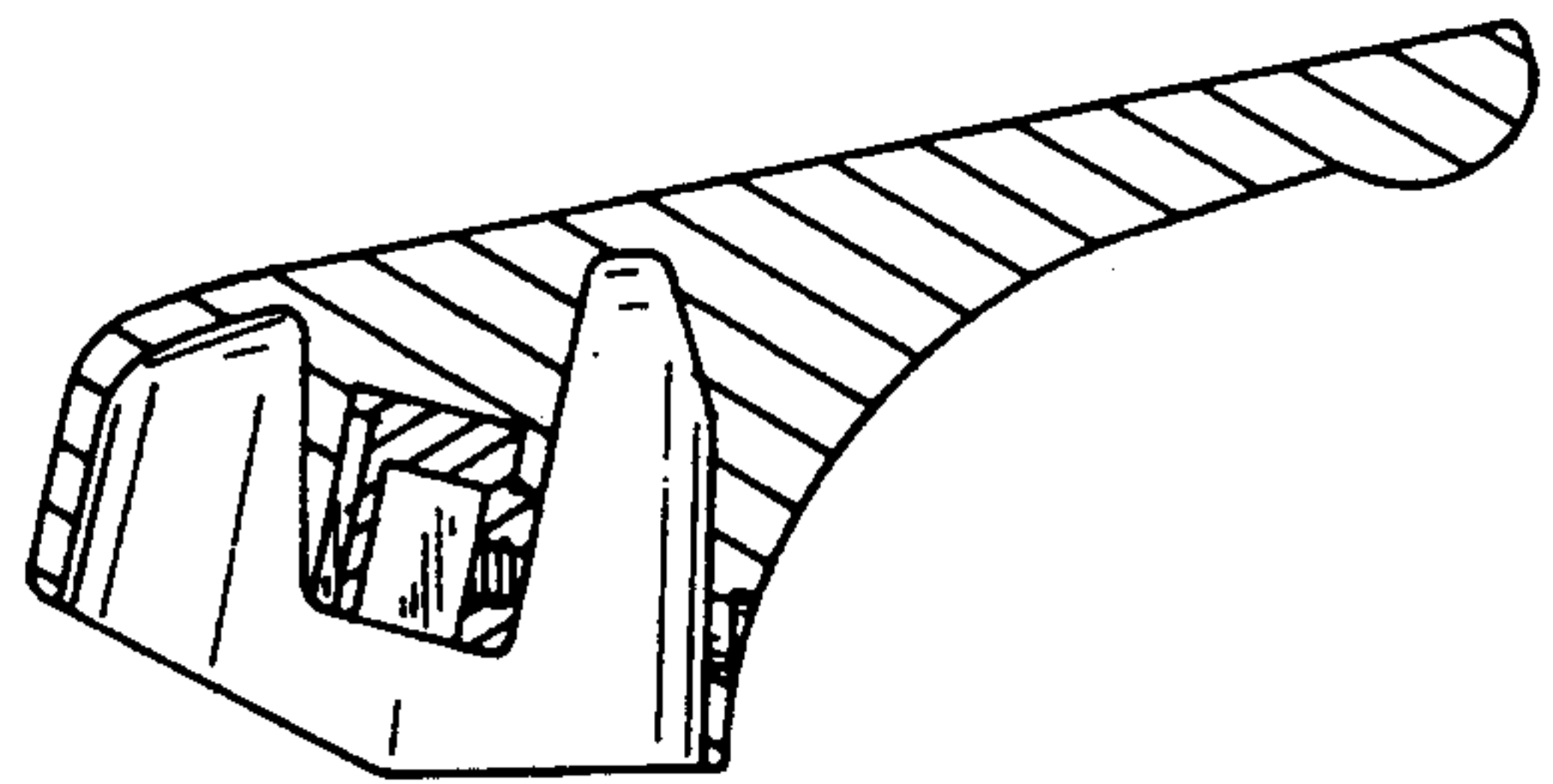


FIG. 7