



US00D362487S

# United States Patent [19]

[11] Patent Number: **Des. 362,487**

Asano et al.

[45] Date of Patent: **\*\* Sep. 19, 1995**

[54] **FISHING REEL BODY**

[75] Inventors: **Shin-ichi Asano, Musashino;  
Nobuyuki Yamaguchi,  
Higashikurume, both of Japan**

[73] Assignee: **Daiwa Seiko Inc., Higashikurume,  
Japan**

[\*\*] Term: **14 Years**

[21] Appl. No.: **16,853**

[22] Filed: **Dec. 28, 1993**

[30] **Foreign Application Priority Data**

Jun. 28, 1993 [JP] Japan ..... 19577

[52] U.S. Cl. .... **D22/141**

[58] Field of Search ..... **D22/141; 242/230, 231,  
242/232, 242, 245, 246**

[56] **References Cited**

**U.S. PATENT DOCUMENTS**

- D. 300,765 4/1989 Inuma et al. .... D22/141
- D. 309,650 7/1990 Kameda et al. .... D22/141
- D. 314,808 2/1991 Yoshikawa ..... D22/141
- D. 321,238 10/1991 Robbins et al. .... D22/141
- D. 321,741 11/1991 Kameda et al. .... D22/141
- D. 324,719 3/1992 Shiozaki et al. .... D22/141

- D. 327,112 6/1992 Myojo ..... D22/141
- D. 329,907 9/1992 Yui ..... D22/141
- D. 330,245 10/1992 Shiozaki ..... D22/141
- D. 341,646 11/1993 Shiozaki ..... D22/141

*Primary Examiner*—Doris V. Coles  
*Attorney, Agent, or Firm*—Bacon & Thomas

[57] **CLAIM**

The ornamental design for a fishing reel body, as shown.

**DESCRIPTION**

FIG. 1 is a top, front and right side perspective view of a fishing reel body, showing our new design;  
 FIG. 2 is a rear, top and left side perspective view thereof;  
 FIG. 3 is a front, bottom and right side perspective view thereof;  
 FIG. 4 is a front elevational view thereof;  
 FIG. 5 is a rear elevational view thereof;  
 FIG. 6 is a top plan view thereof;  
 FIG. 7 is a bottom plan view thereof;  
 FIG. 8 is a left side elevational view thereof; and,  
 FIG. 9 is a right side elevational view thereof.  
 The broken line showing of environment in all views is for illustrative purposes only and forms no part of the claimed design.

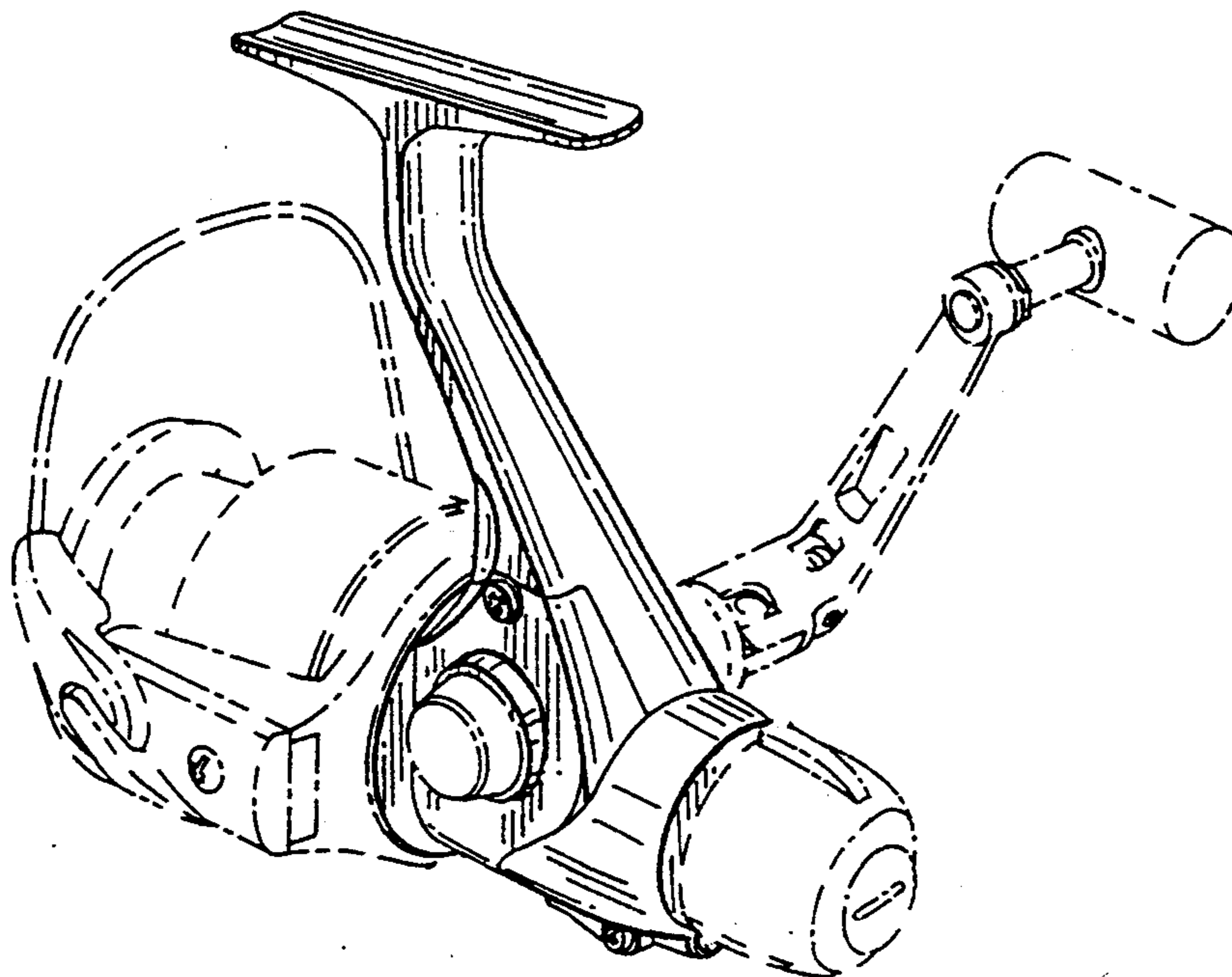


FIG. 1

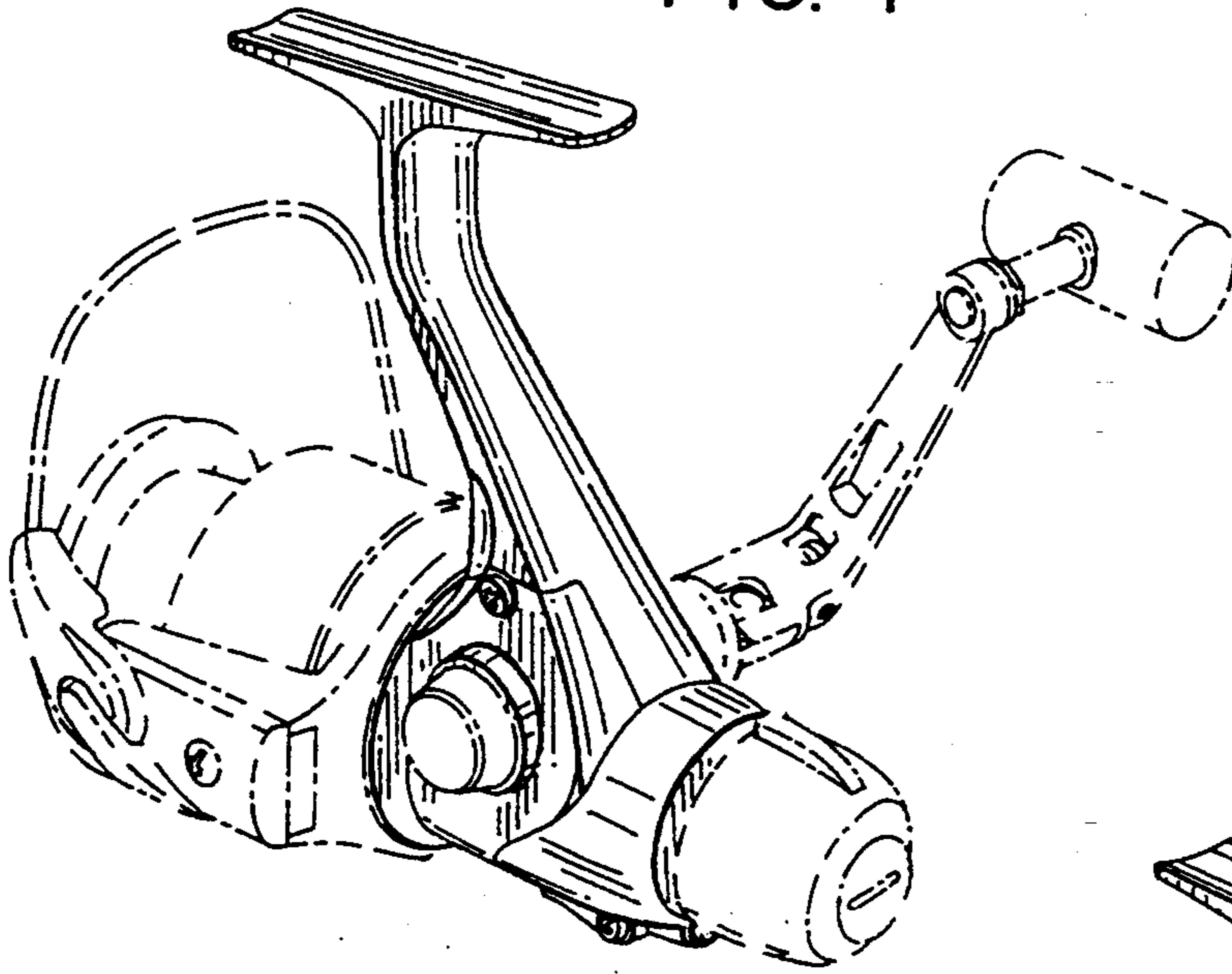


FIG. 2

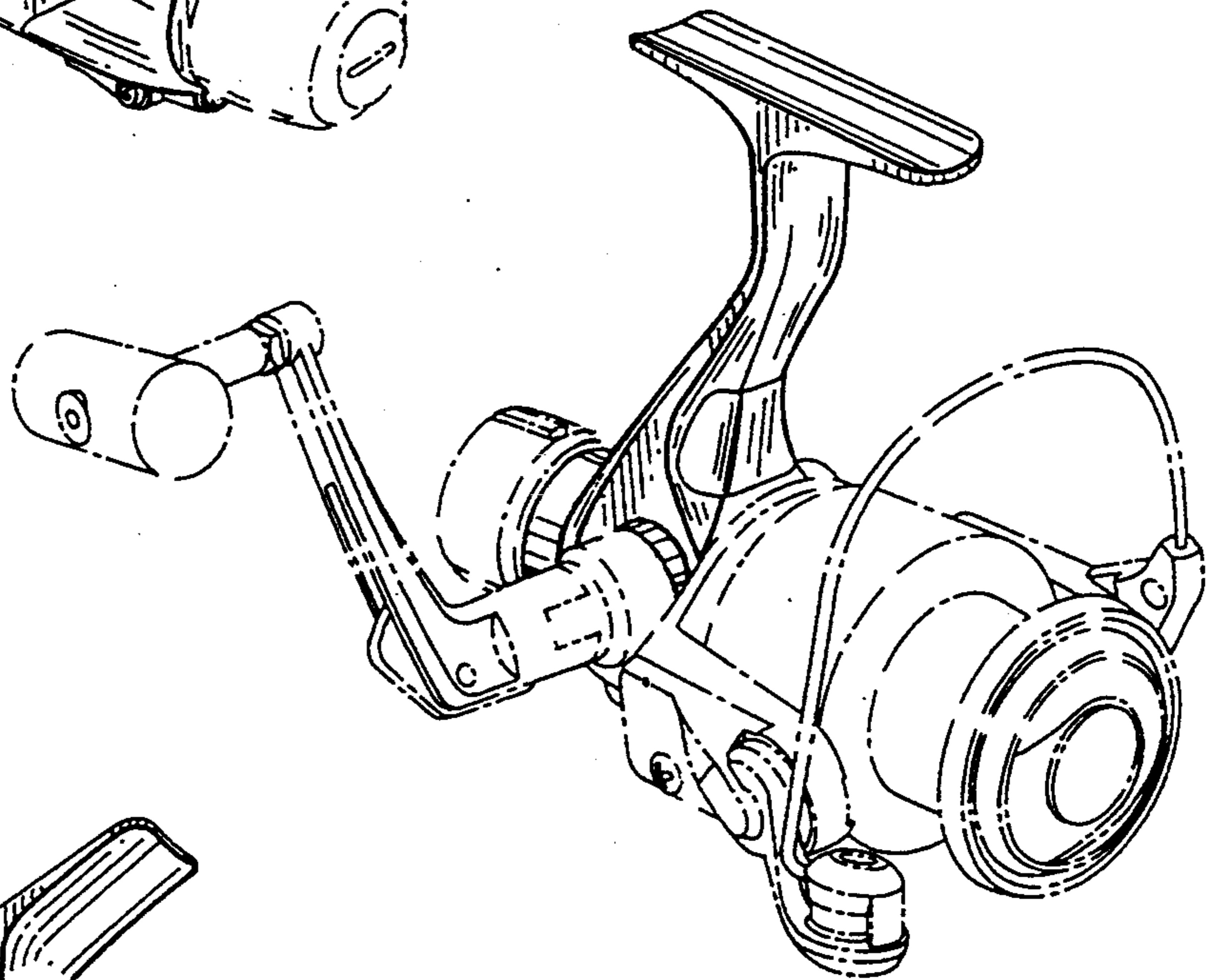


FIG. 3

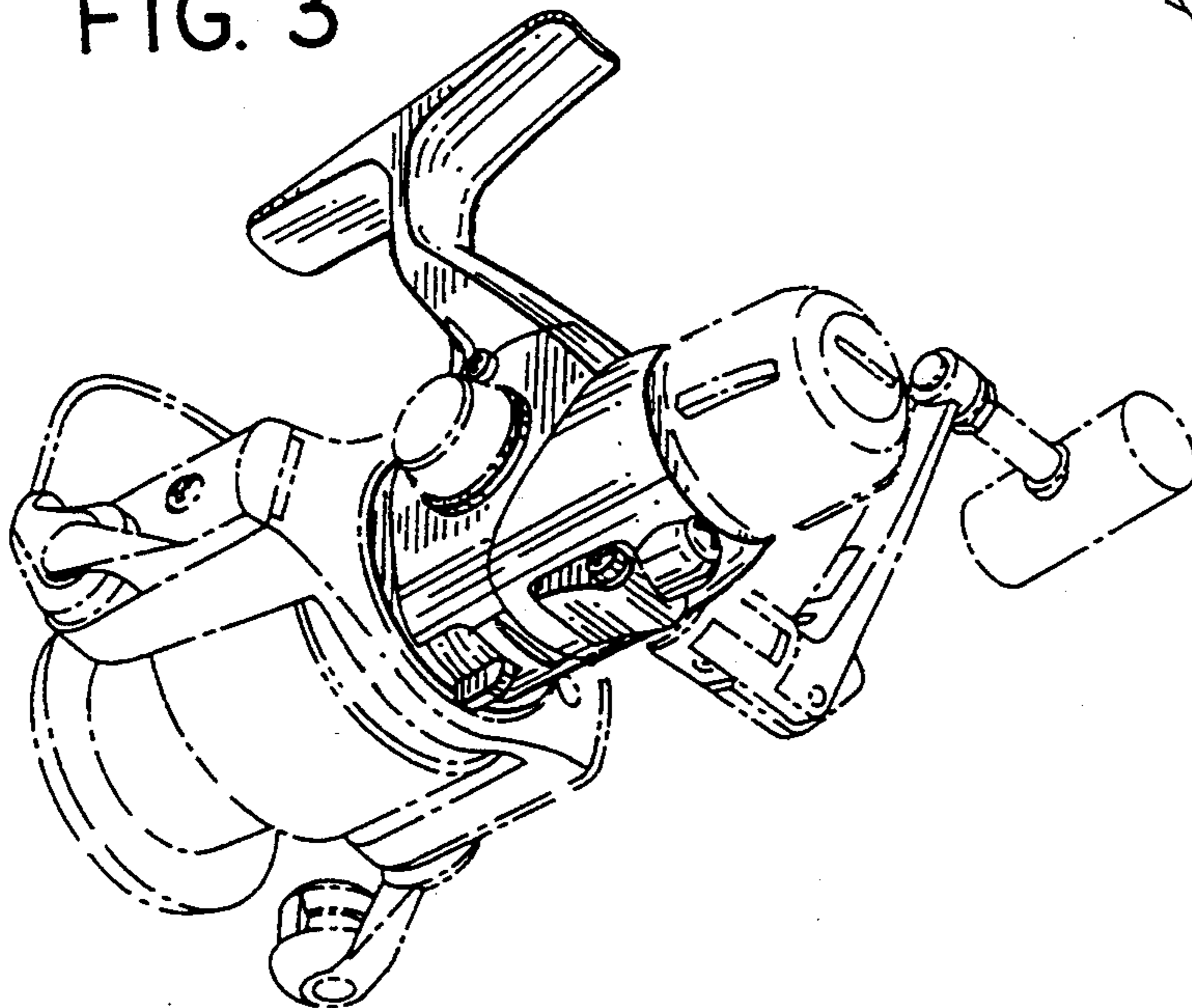


FIG. 4

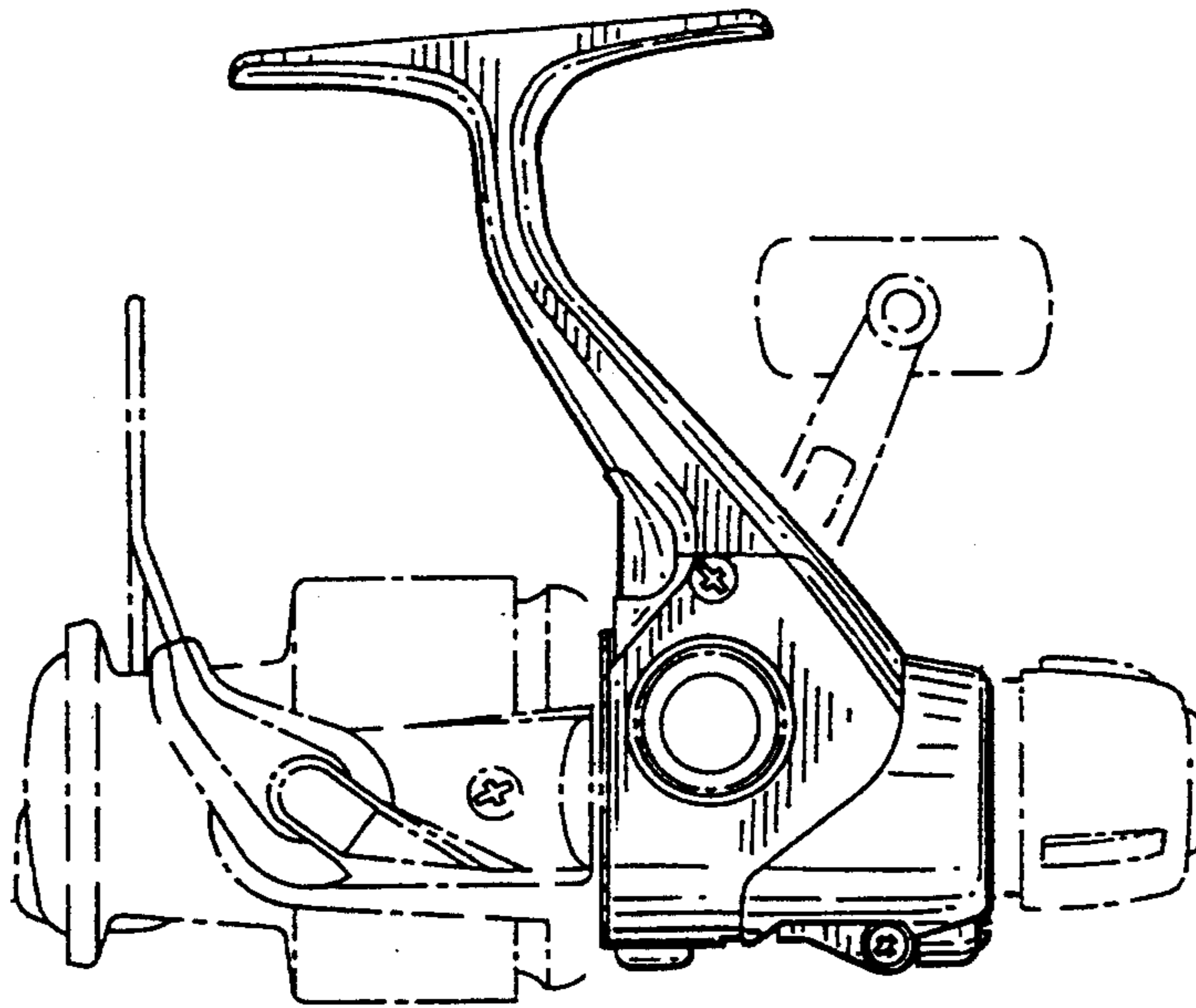


FIG. 5

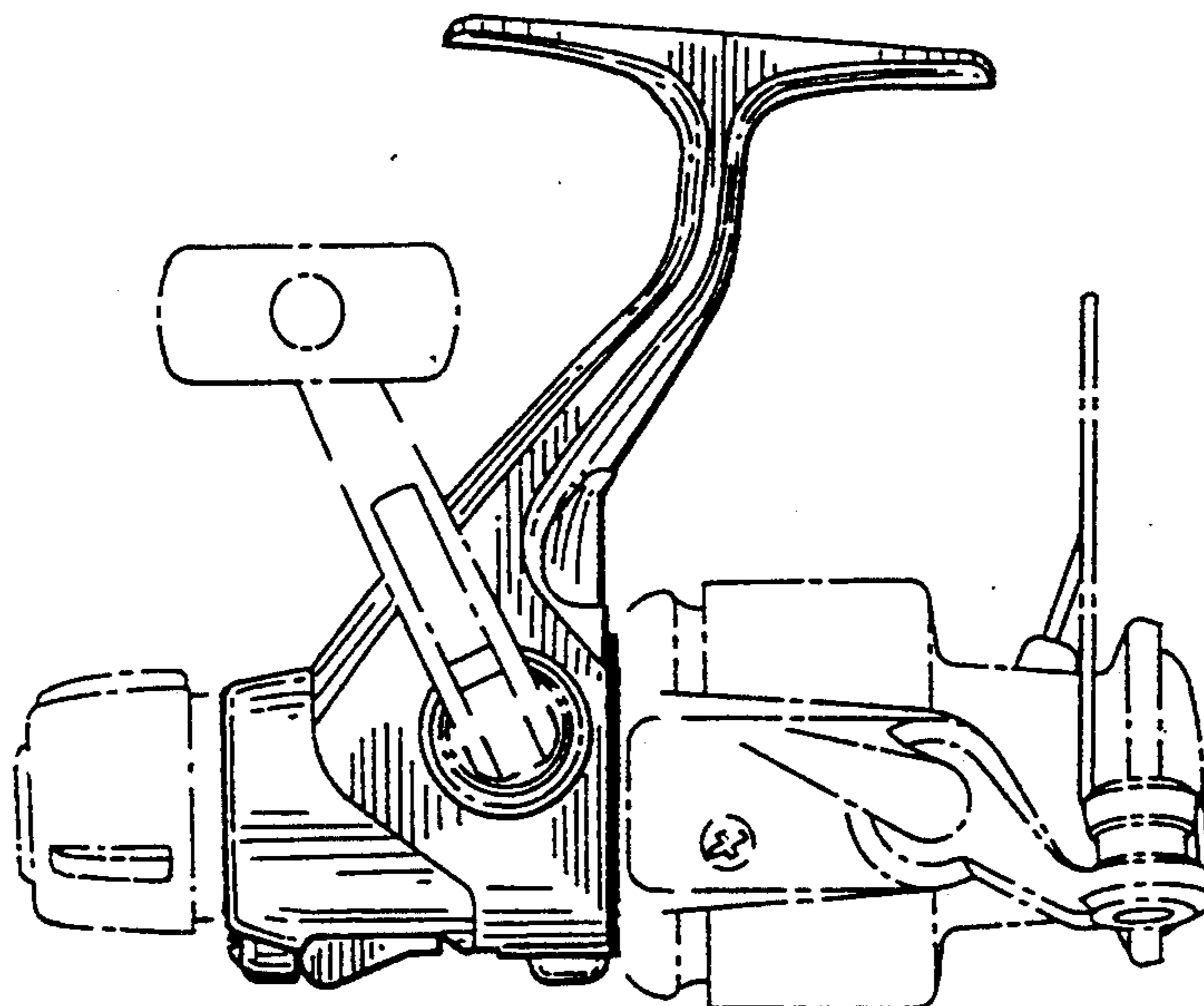


FIG. 6

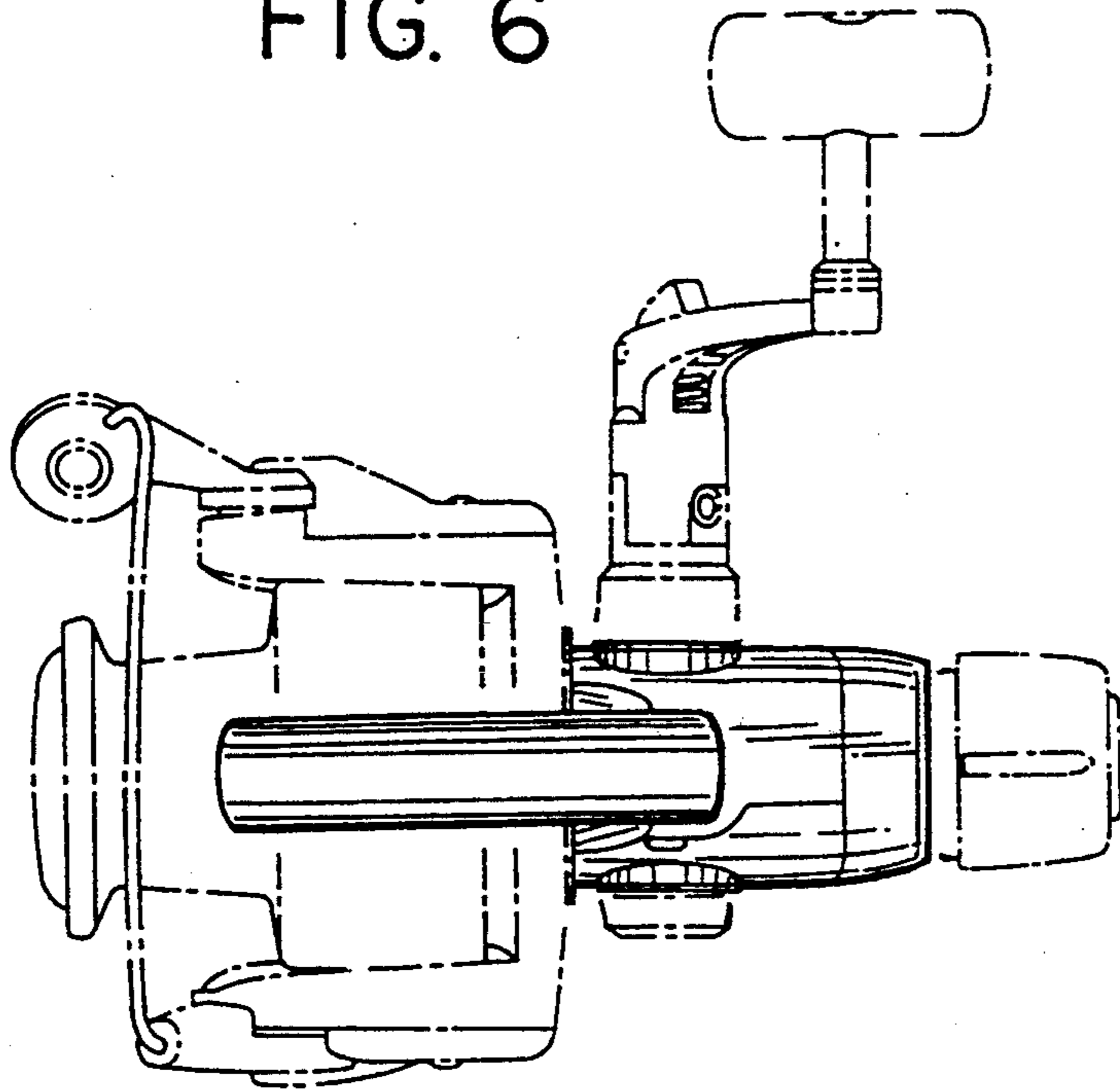


FIG. 7

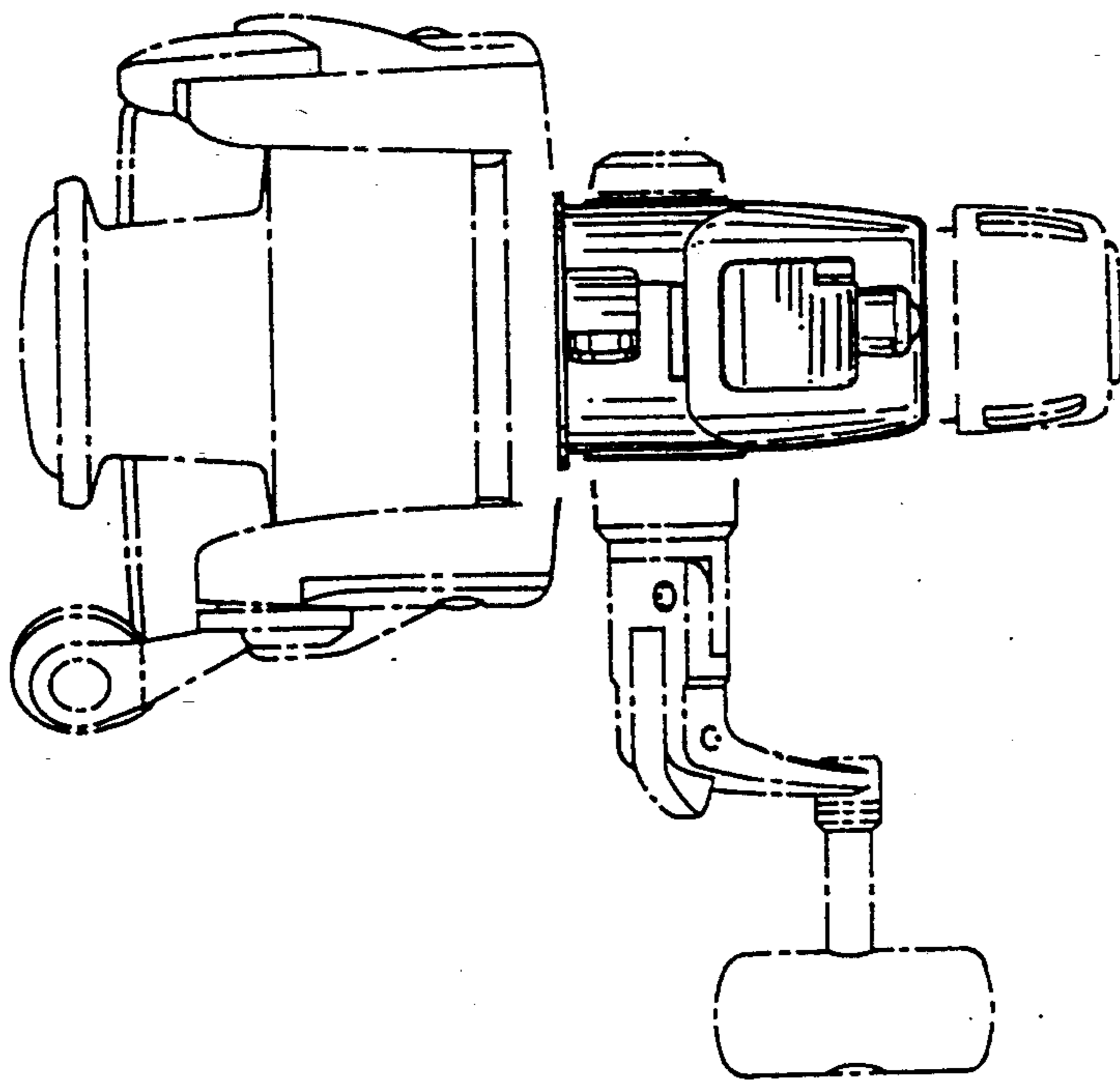


FIG. 8

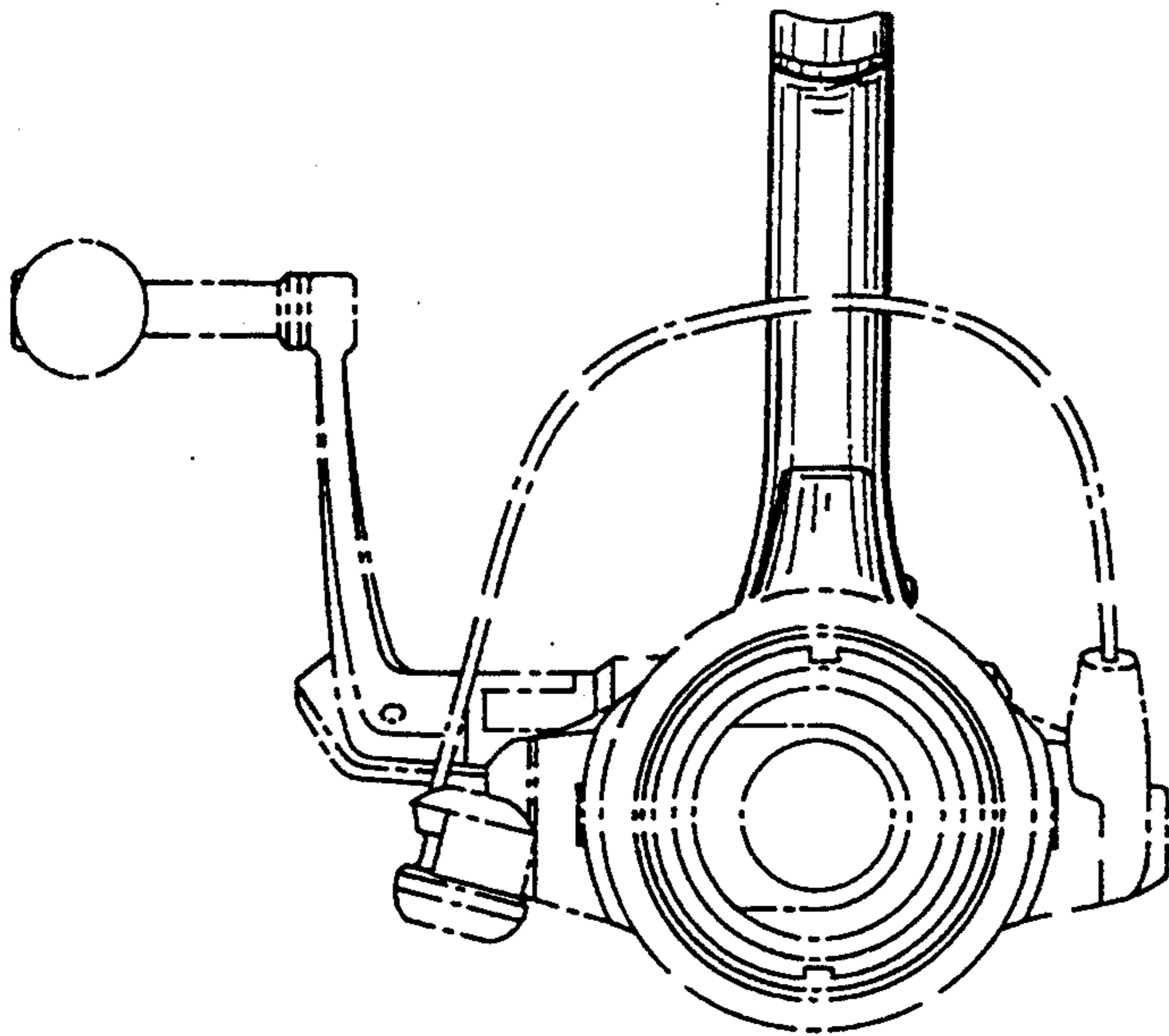


FIG. 9

