



US00D362484S

United States Patent [19]

[11] Patent Number: **Des. 362,484**

Minneman et al.

[45] Date of Patent: **** Sep. 19, 1995**

[54] **PORTABLE ORGANIZER FOR WEAPONRY AND CAMPING ARTICLES**

[56] **References Cited**

U.S. PATENT DOCUMENTS

3,913,746 10/1975 Burton 211/64
4,232,919 11/1980 Stewart 211/64 X

[75] Inventors: **Steven W. Minneman, Clayton; Allen J. Minneman, Union, both of Ohio**

*Primary Examiner—Doris V. Coles
Attorney, Agent, or Firm—Biebel & French*

[73] Assignee: **MTM Molded Products Company, Dayton, Ohio**

[57] **CLAIM**

The ornamental design for a portable organizer for weaponry and camping articles, as shown and described.

[**] Term: **14 Years**

DESCRIPTION

[21] Appl. No.: **15,462**

FIG. 1 is a perspective view of the portable organizer for weaponry and camping articles;
FIG. 2 is a top view thereof;
FIG. 3 is a bottom view thereof;
FIG. 4 is a front view thereof;
FIG. 5 is a rear view thereof;
FIG. 6 is a right-side view thereof; and,
FIG. 7 is a left-side view thereof.

[22] Filed: **Nov. 17, 1993**

[52] U.S. Cl. **D22/108; D22/199**

[58] Field of Search **D22/108, 199; D6/552; D21/223; 42/90, 94; 211/13, 64; 248/122, 188.6, 156; D3/254, 304, 305**

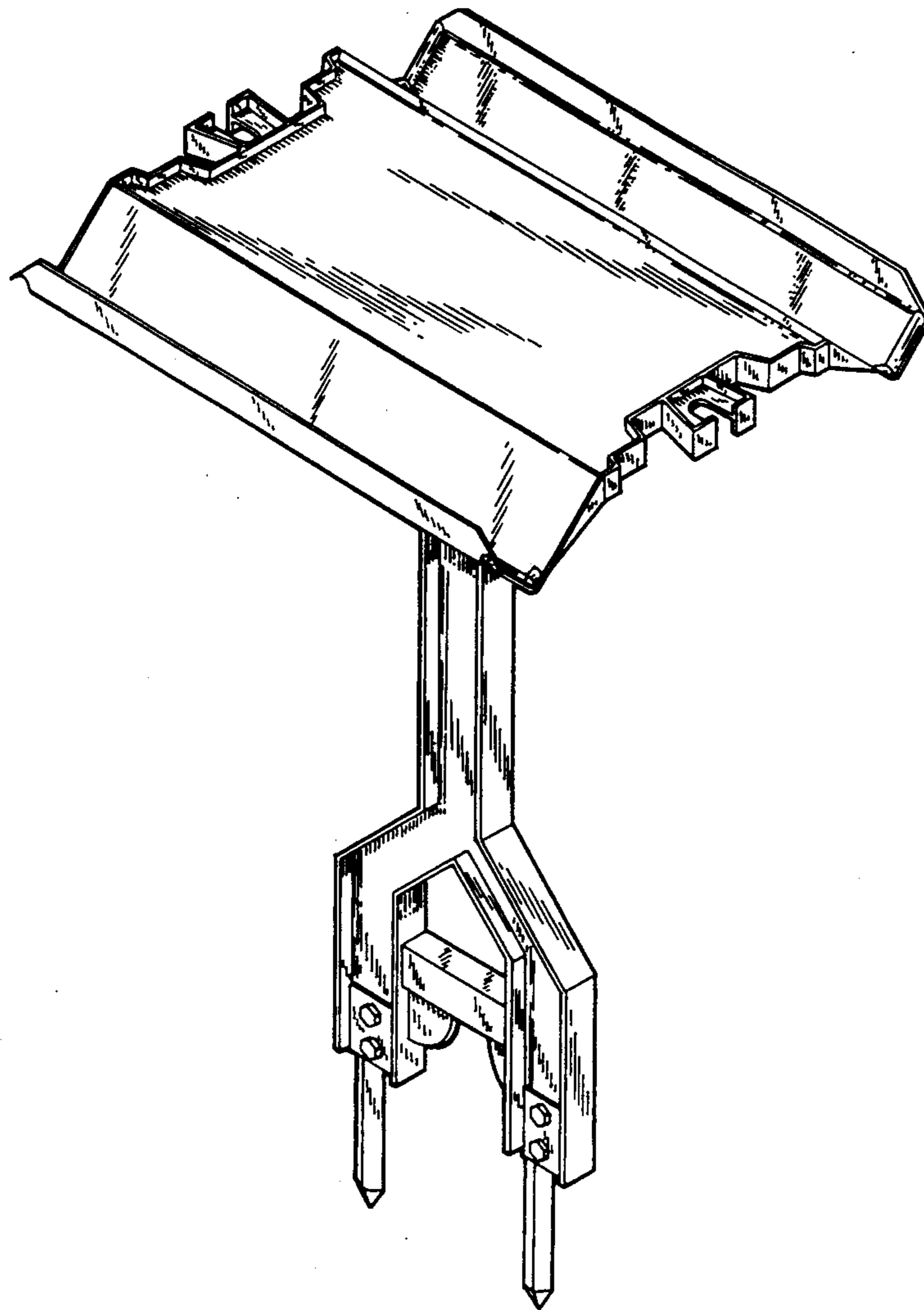
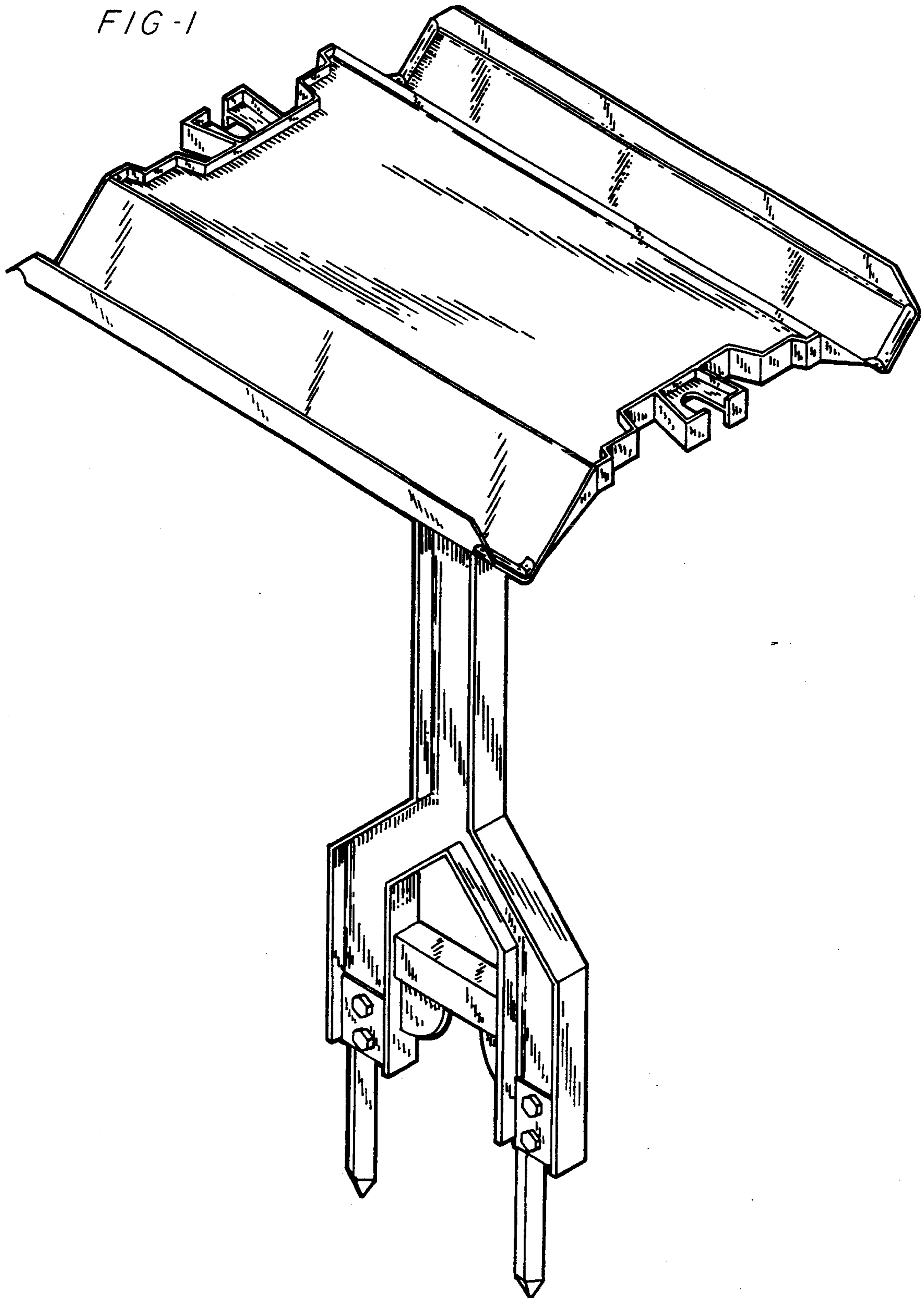


FIG -1



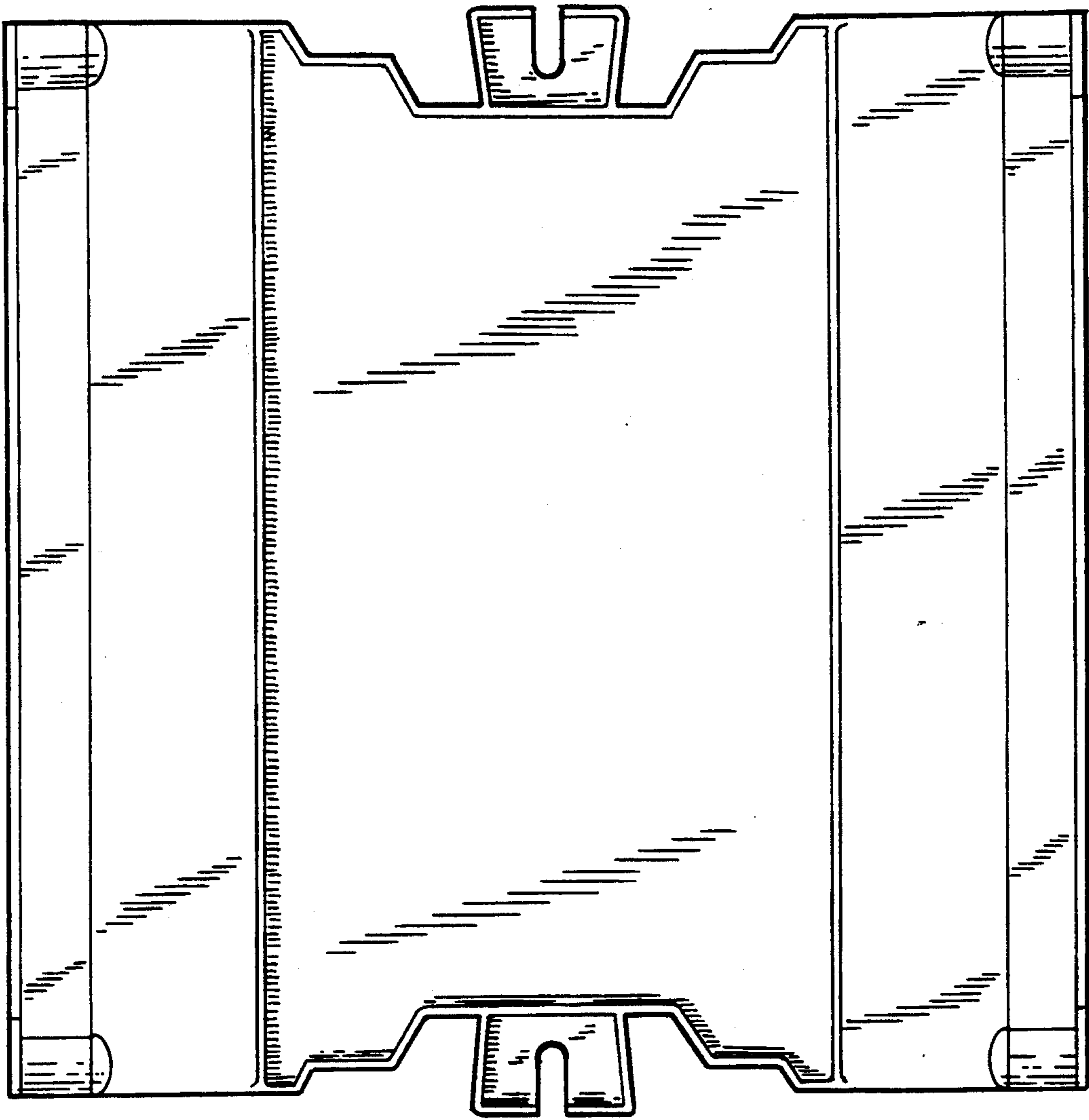


FIG - 2

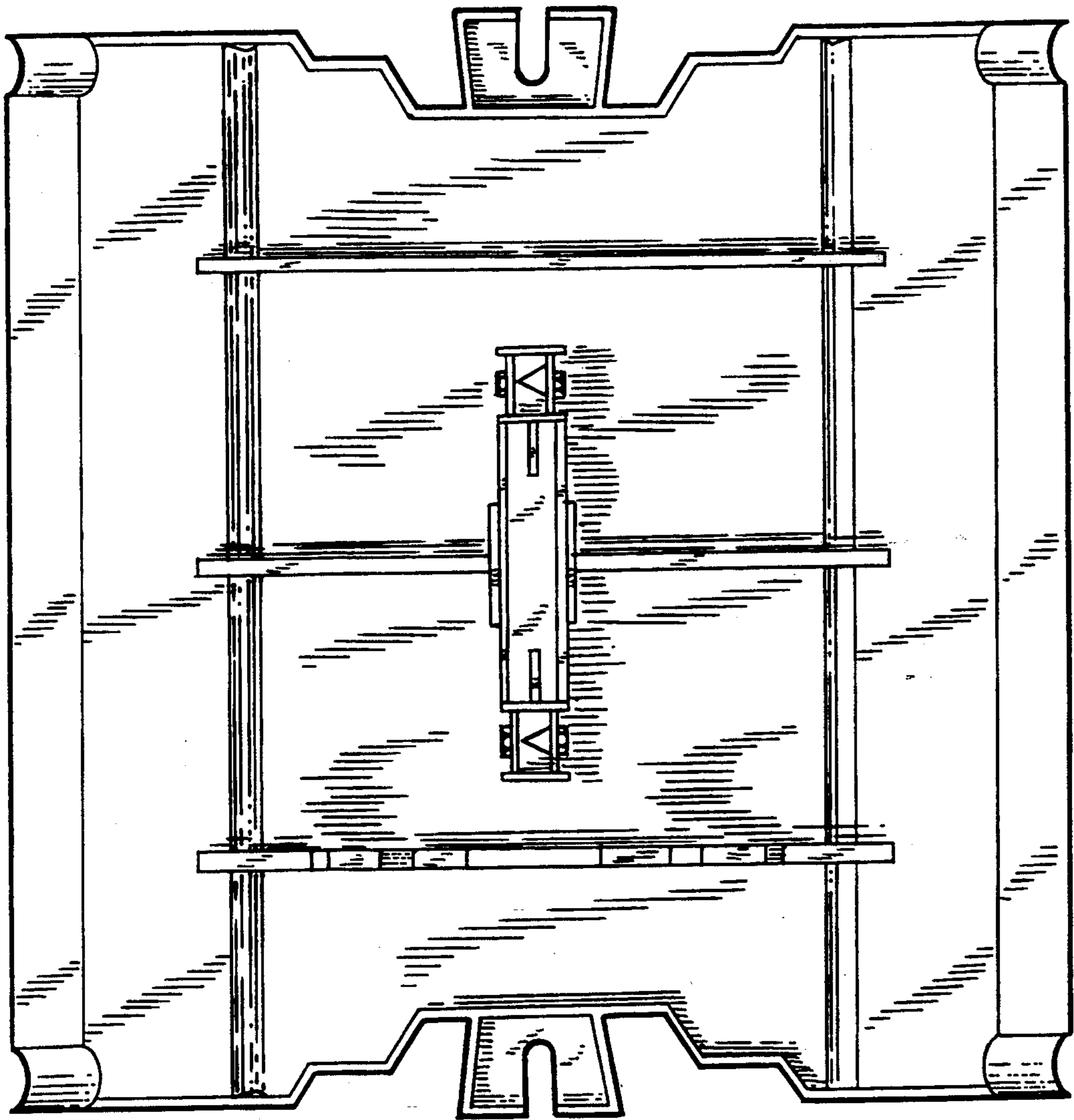


FIG-3

FIG - 4

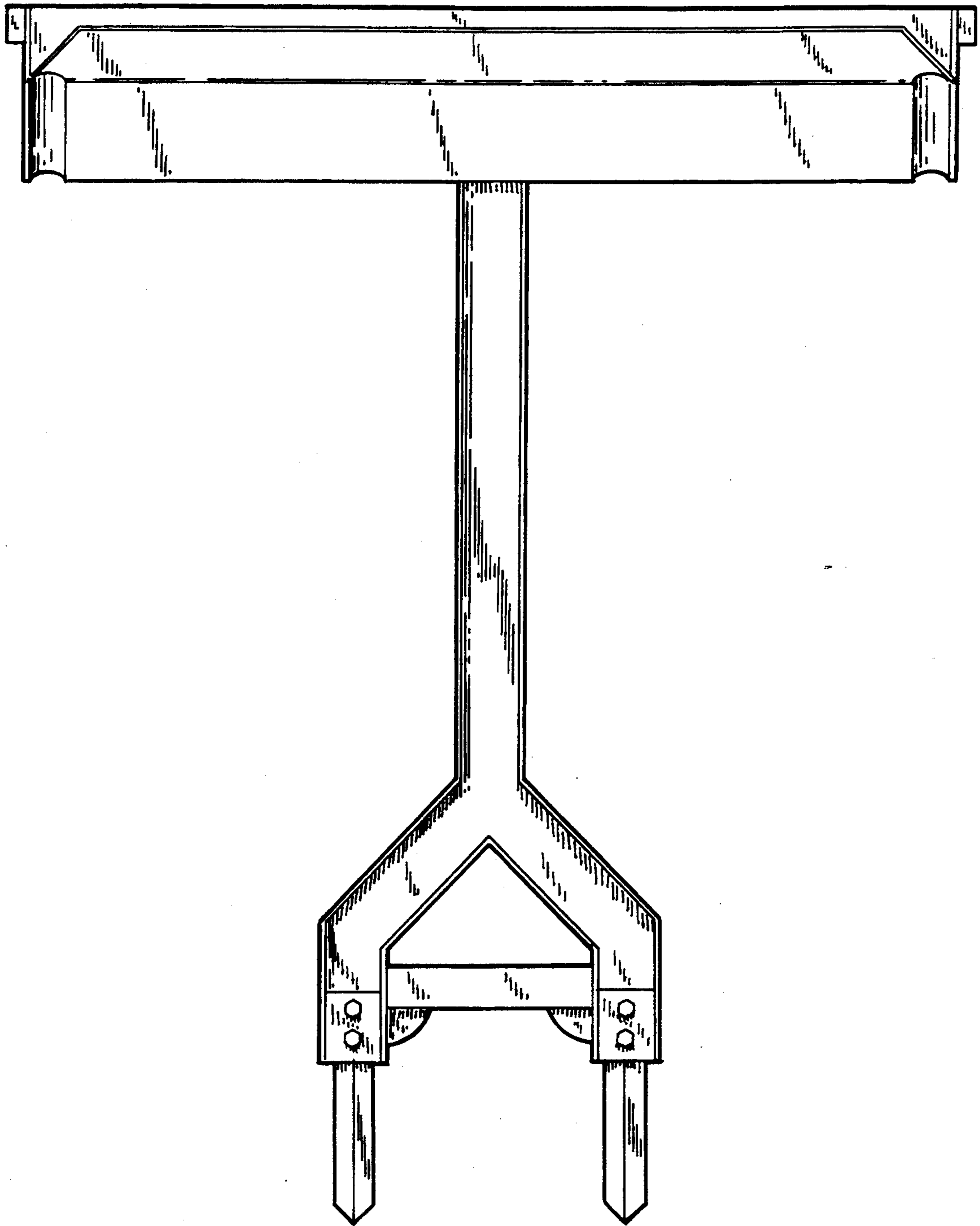


FIG-5

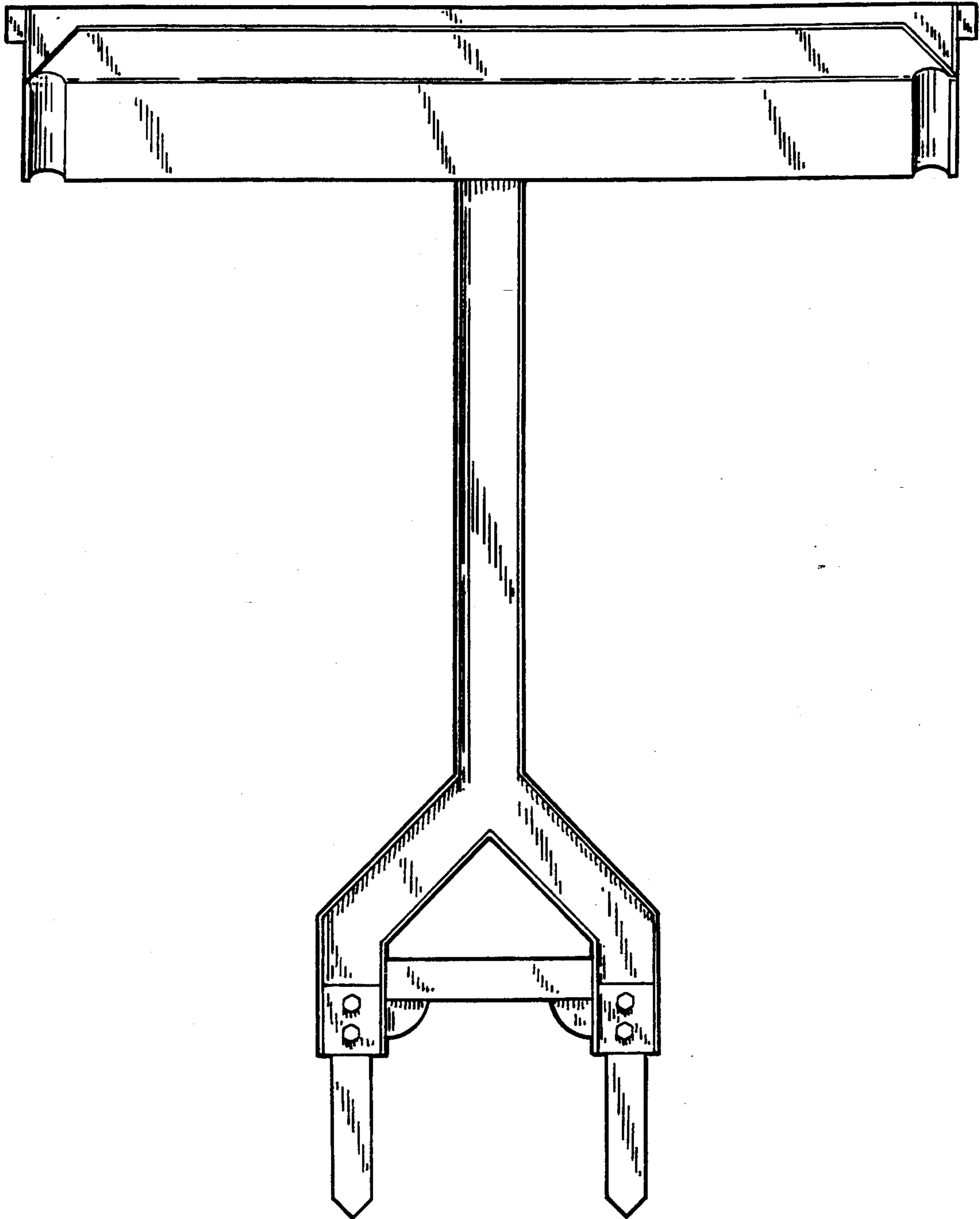


FIG - 6

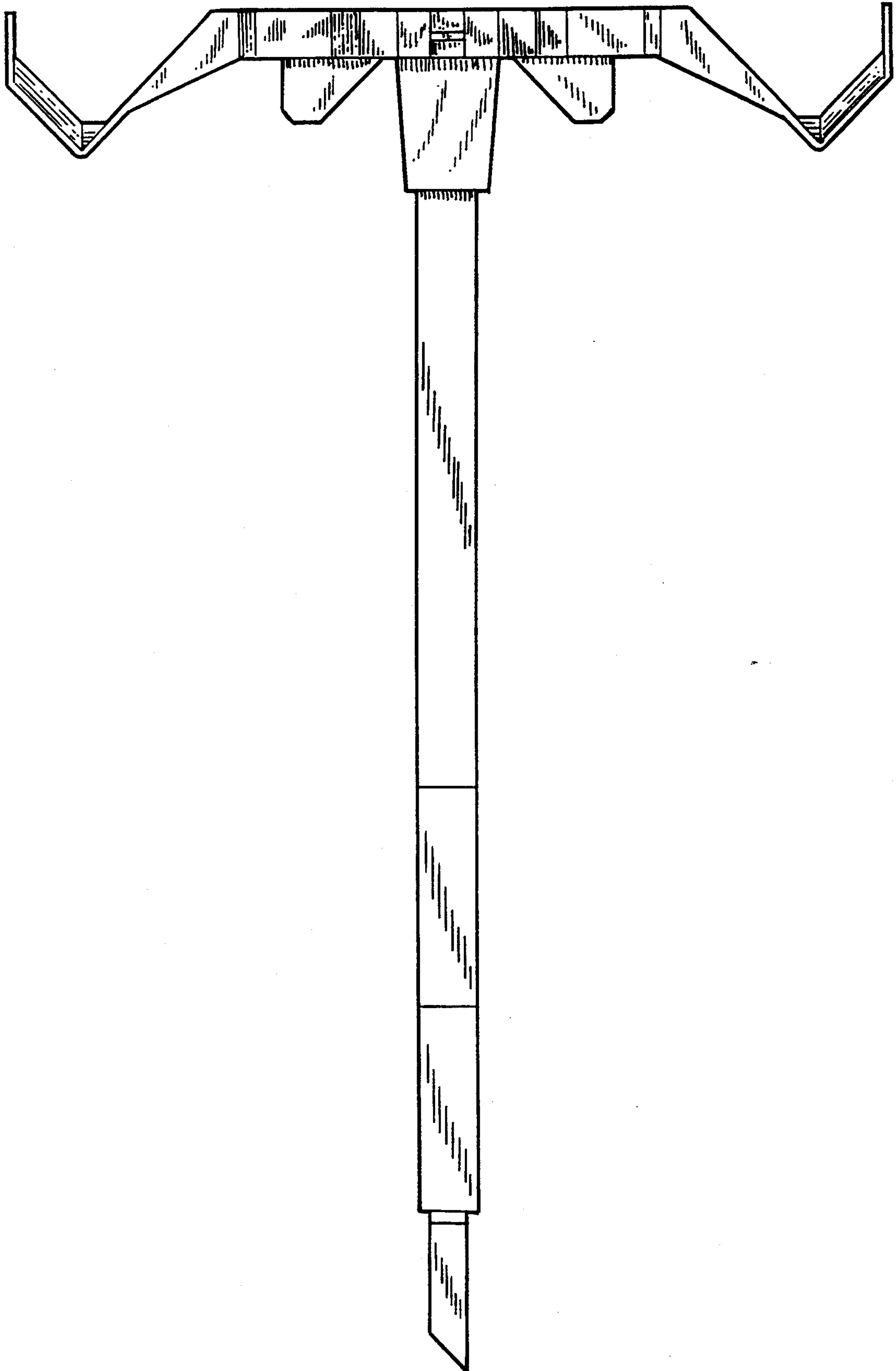


FIG - 7

