



US00D362483S

# United States Patent [19]

[11] Patent Number: **Des. 362,483**

**Skillern, Jr.**

[45] Date of Patent: **\*\* Sep. 19, 1995**

[54] **HUNTER'S PEEP**

4,656,747	4/1987	Troncoso .....	124/87 X
4,833,786	5/1989	Shores, Sr. .	
4,860,458	8/1989	Ernstsen .	
4,895,129	1/1990	Hedgpeth .....	33/265 X
5,056,498	10/1991	Scherz .	
5,157,839	10/1992	Beutler .	

[76] Inventor: **Lloyd B. Skillern, Jr.**, 121 Riverside Benloe Rd., Bowling Green, Ky. 42101

[\*\*] Term: **14 Years**

*Primary Examiner*—Louis S. Zarfaz  
*Assistant Examiner*—Monica A. Hannon

[21] Appl. No.: **26,600**

[57] **CLAIM**

[22] Filed: **Aug. 1, 1994**

The ornamental design for the hunter's peep, as shown and described.

[52] U.S. Cl. .... **D22/107; D22/100**

[58] Field of Search ..... **D22/100, 102, 107, 108, D22/109, 110; 33/241, 245, 247, 252, 265; 124/87; D21/2, 203, 206**

**DESCRIPTION**

[56] **References Cited**

**U.S. PATENT DOCUMENTS**

4,011,853	3/1977	Fletcher .....	124/87
4,563,821	1/1986	Saunders .	
4,625,422	12/1986	Carlson .....	124/87 X

FIG. 1 is a front elevational view of the hunter's peep showing my new design;  
FIG. 2 is a rear elevational view thereof;  
FIG. 3 is a left side elevational view thereof;  
FIG. 4 is a right side elevational view thereof;  
FIG. 5 is a top plan view thereof; and,  
FIG. 6 is a bottom plan view thereof.

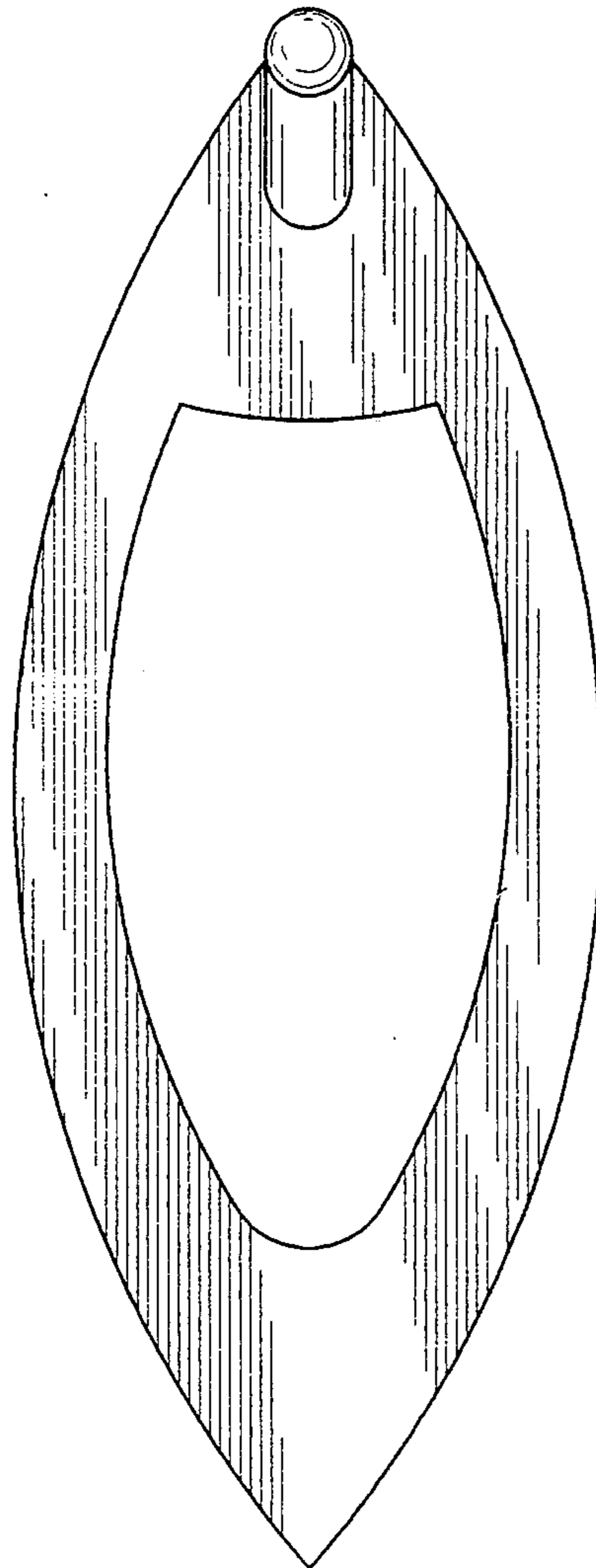


FIG. 1

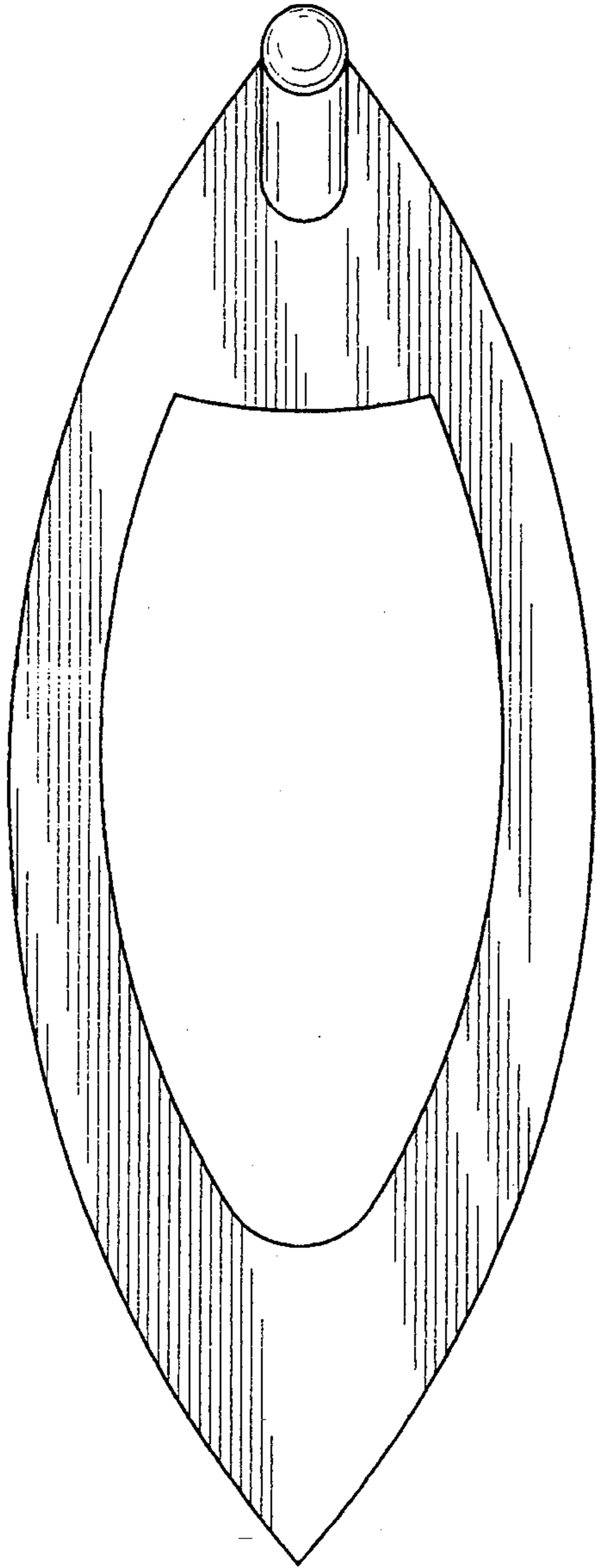


FIG. 2

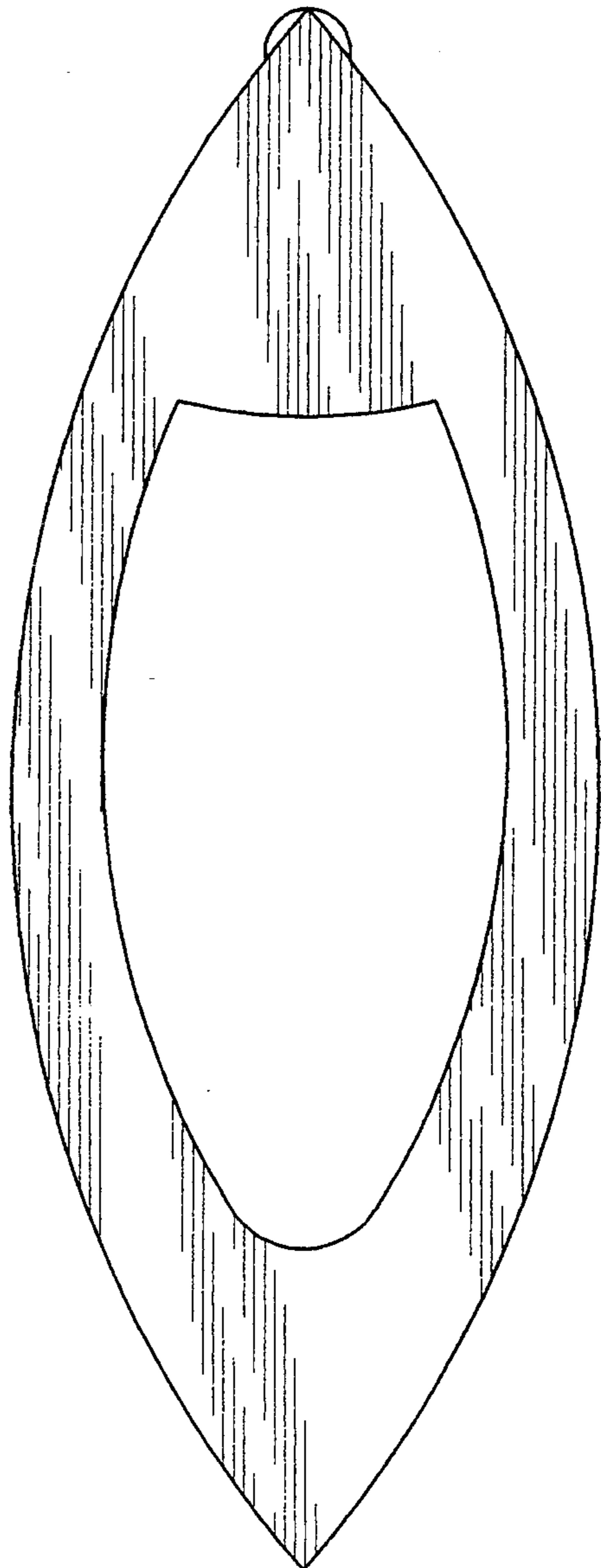


FIG. 3

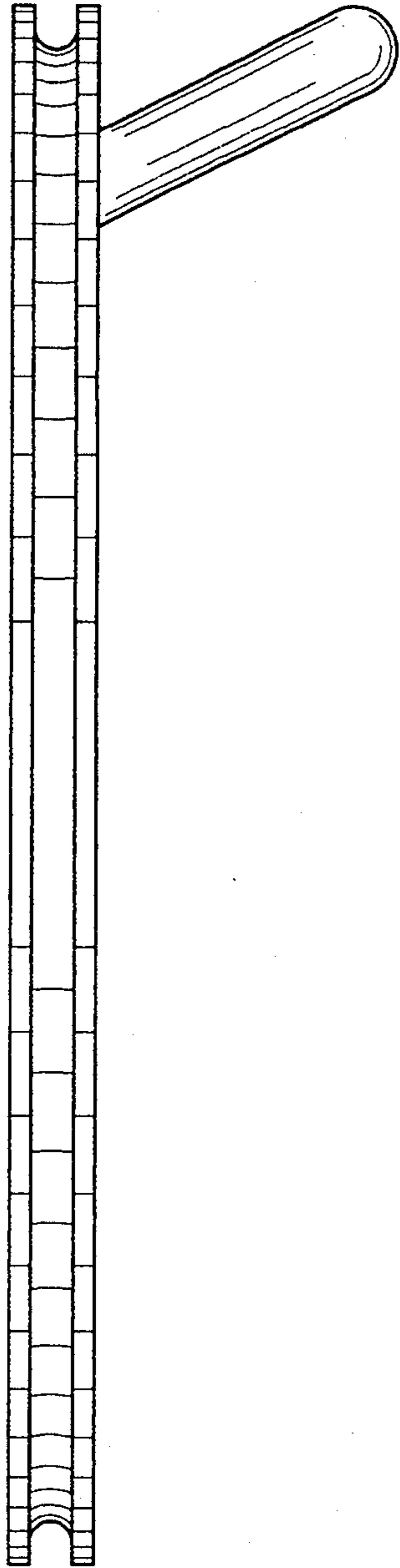
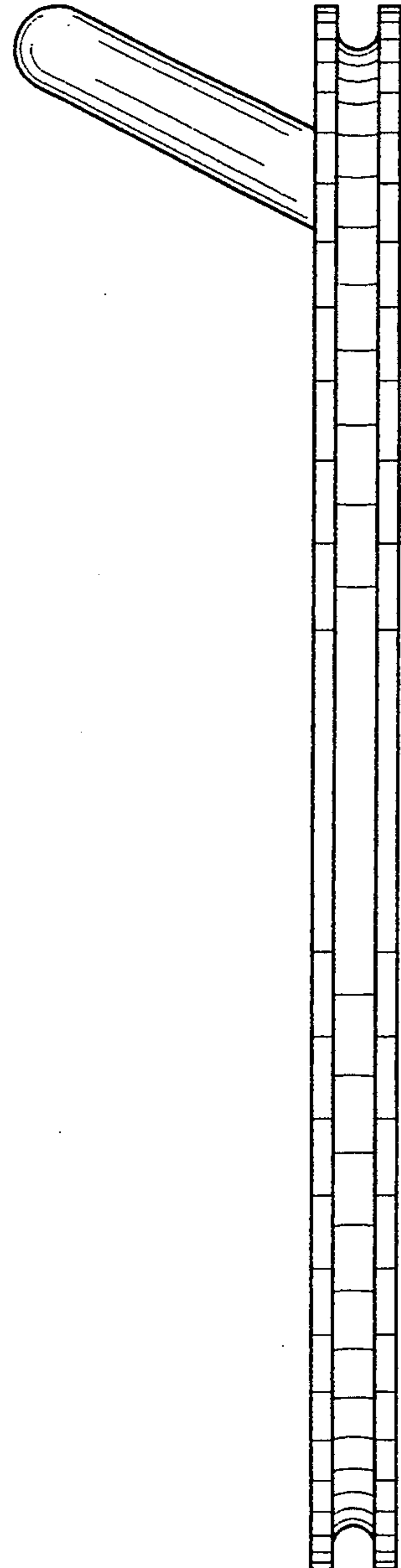
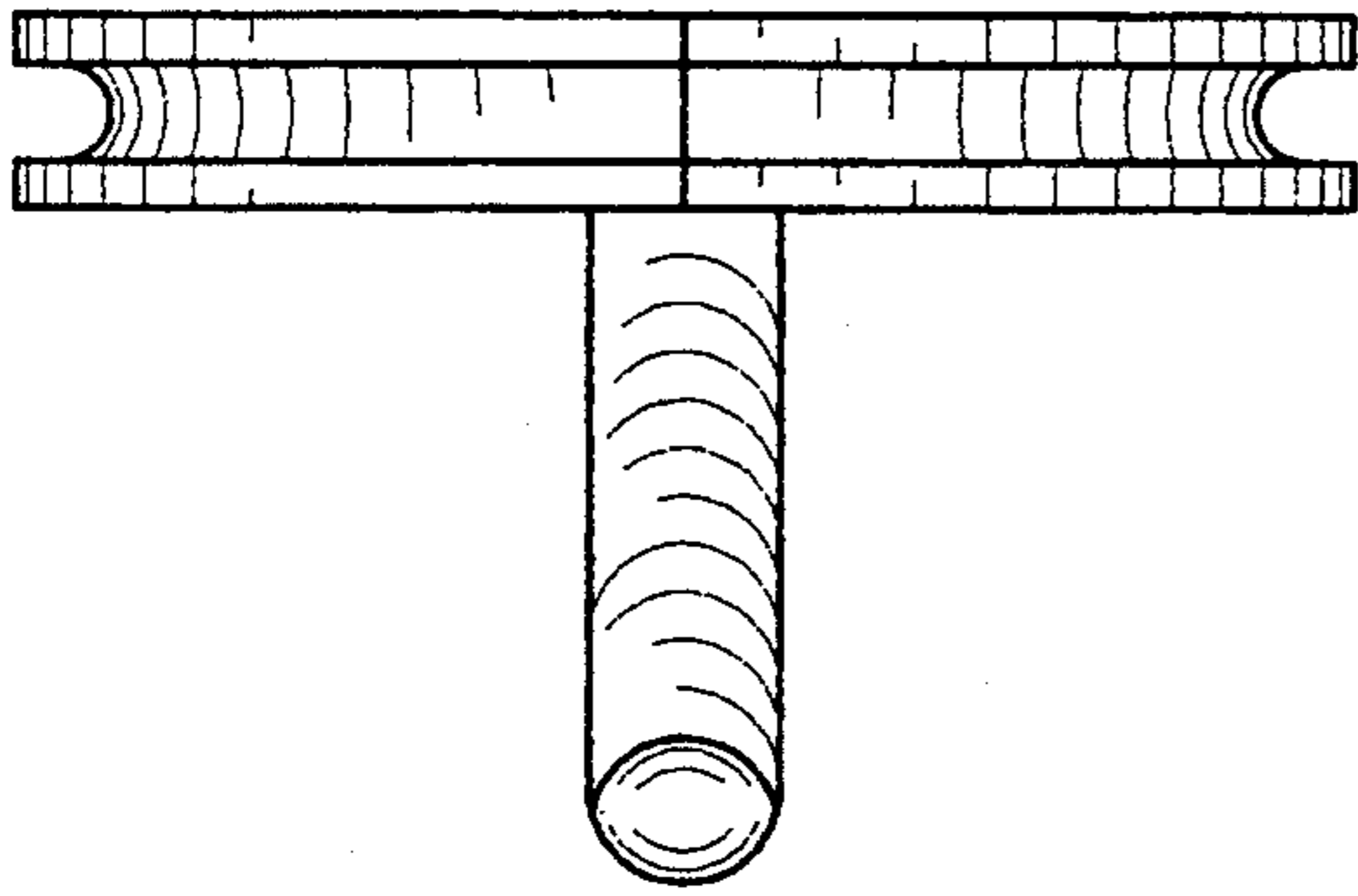


FIG. 4



*FIG. 5*



*FIG. 6*

