



US00D362482S

United States Patent [19]

[11] Patent Number: **Des. 362,482**

Sauerwald et al.

[45] Date of Patent: **** Sep. 19, 1995**

[54] **ARROW REST**

5,137,006 8/1992 Gallops 124/24.1 X
5,285,764 2/1994 Mertens 124/24.1 X

[76] Inventors: **Michael E. Sauerwald, R.D. #1, Box 621, Alburdis, Pa. 18011; Scott A. Jabs, 230 S. Church St., Bally, Pa. 19503**

OTHER PUBLICATIONS

Gander Mountain Archery '93 Catalog, pp. 36 and 37.

[**] Term: **14 Years**

Primary Examiner—A. Hugo Word
Assistant Examiner—Catherine R. Oliver
Attorney, Agent, or Firm—Eckert Seamans Cherin & Mellott

[21] Appl. No.: **14,669**

[22] Filed: **Oct. 27, 1993**

[52] U.S. Cl. **D22/107**

[58] Field of Search **D22/107; 33/265; 224/916; 124/41.1, 23.1, 24.1, 25, 44.5, 86, 87, 89, 88, 90**

[57] CLAIM

The ornamental design for an arrow rest, as shown and described.

[56] References Cited

U.S. PATENT DOCUMENTS

D. 313,059	12/1990	Sears	D22/107
4,838,237	6/1989	Cliburn	124/24.1 X
4,947,823	8/1990	Larson	124/24.1 X
5,022,378	6/1991	Rhodehouse	124/24.1 X
5,095,884	3/1992	Mertens	124/24.1 X
5,103,797	4/1992	Newbold	124/24.1 X

DESCRIPTION

FIG. 1 is a perspective view of an arrow rest, showing our new design;

FIG. 2 is a front elevational view thereof;

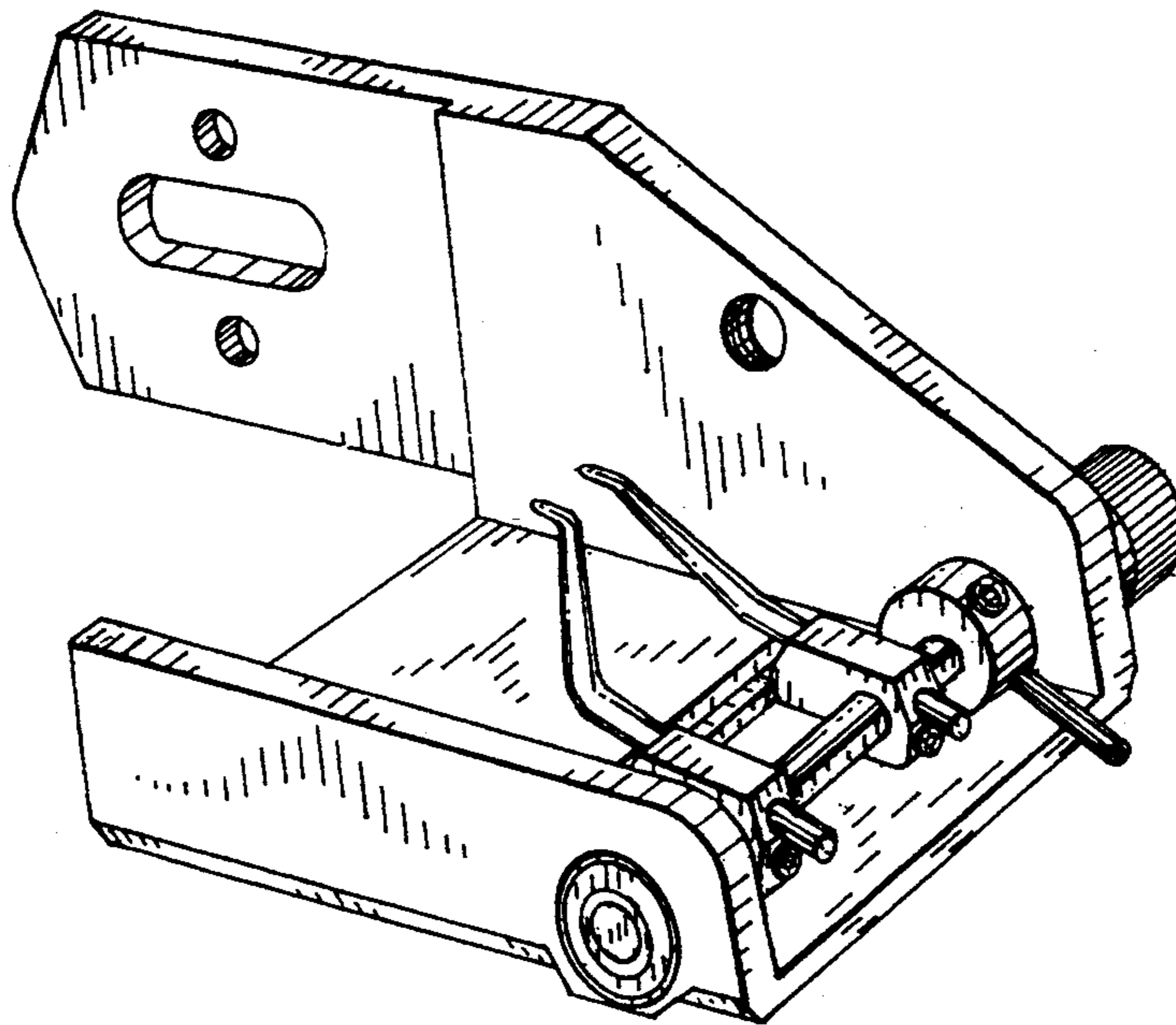
FIG. 3 is a top plan view thereof;

FIG. 4 is a left side elevational view thereof;

FIG. 5 is a right side elevational view thereof;

FIG. 6 is a back elevational view thereof; and,

FIG. 7 is a bottom plan view thereof.



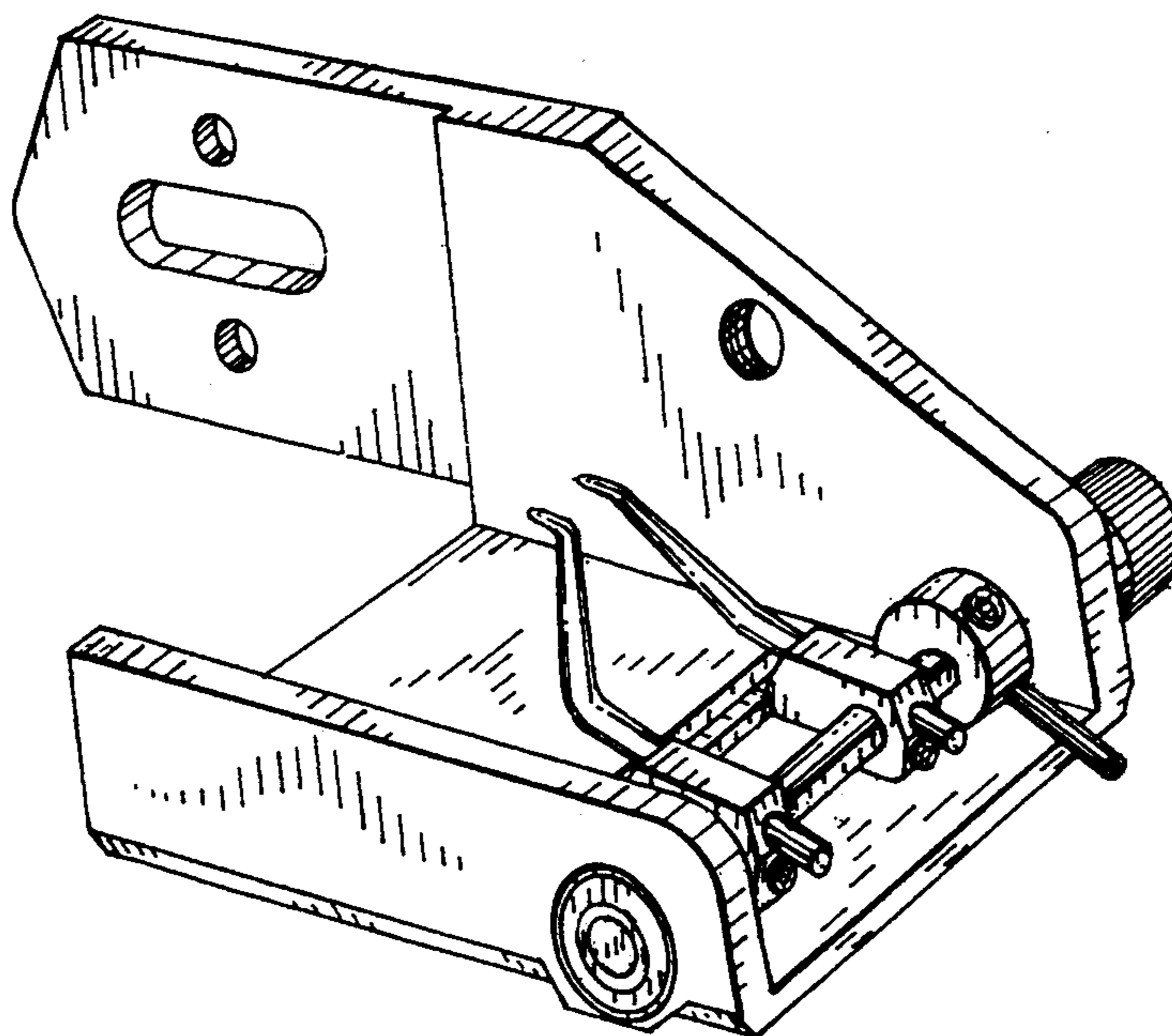


Fig. 1.

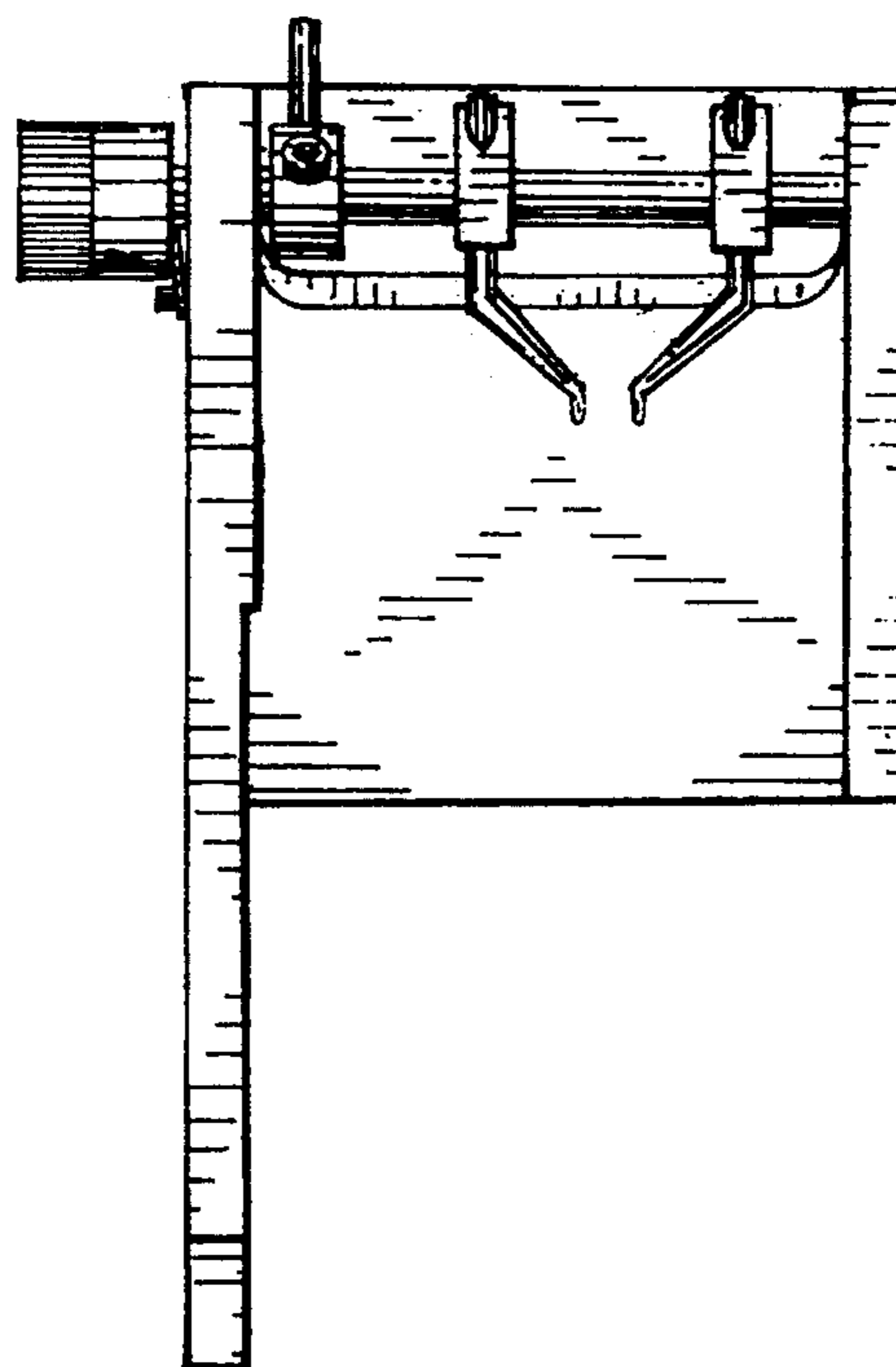
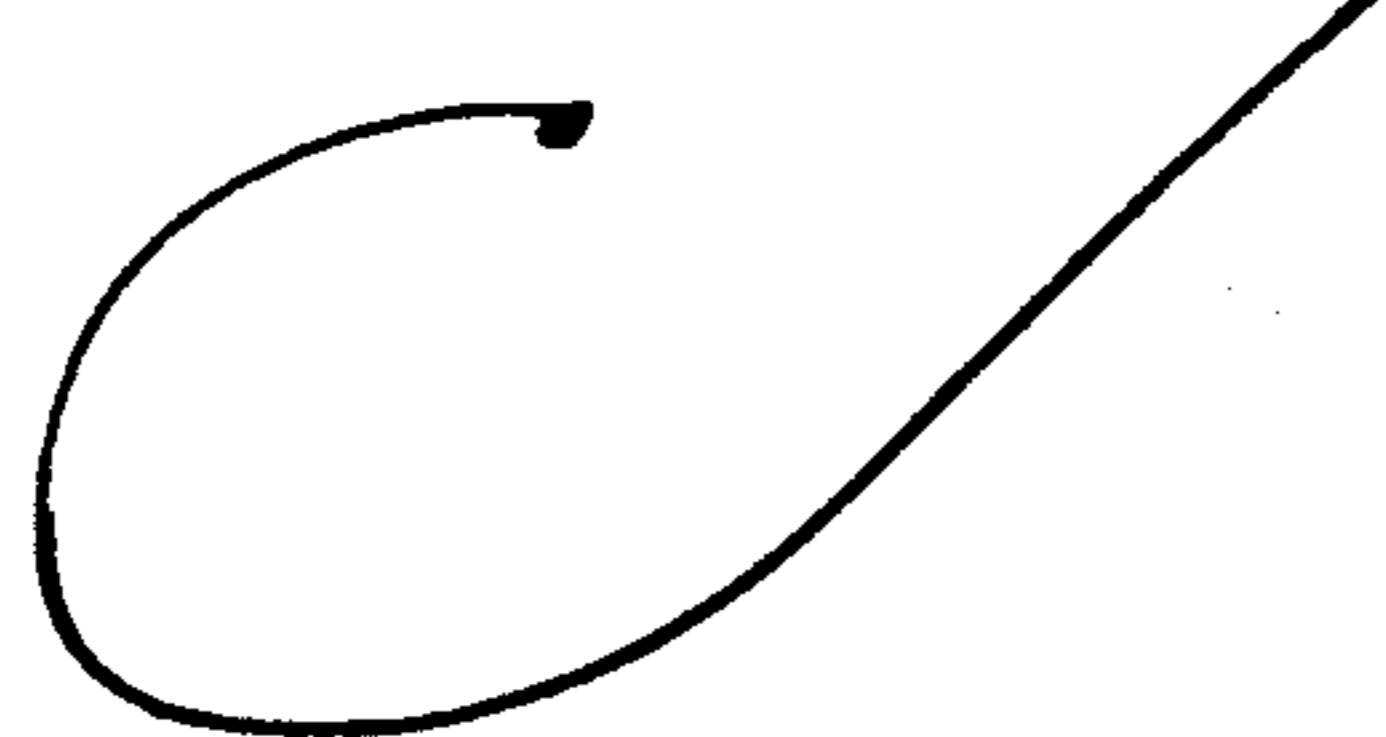


Fig. 3.

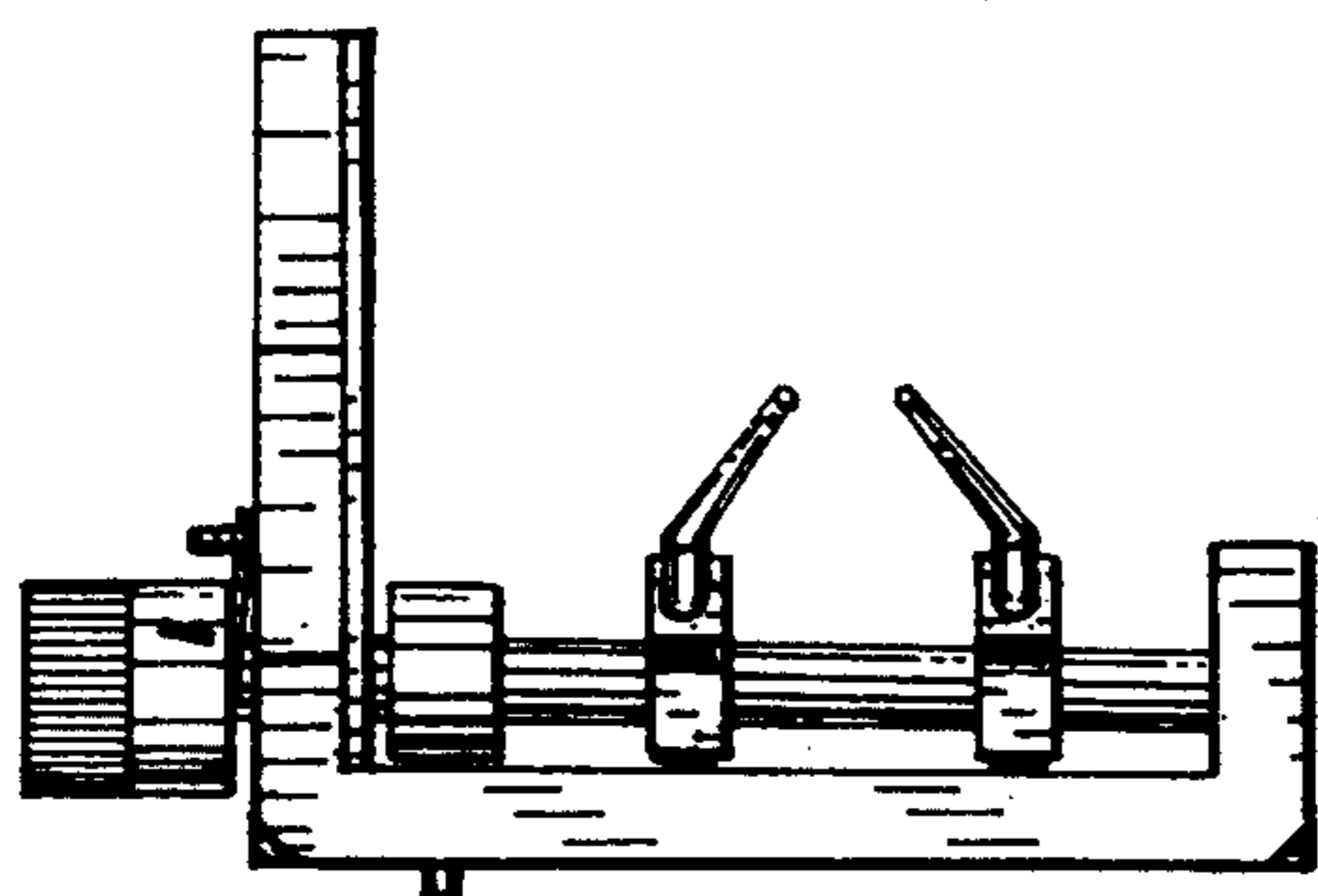


Fig. 2.



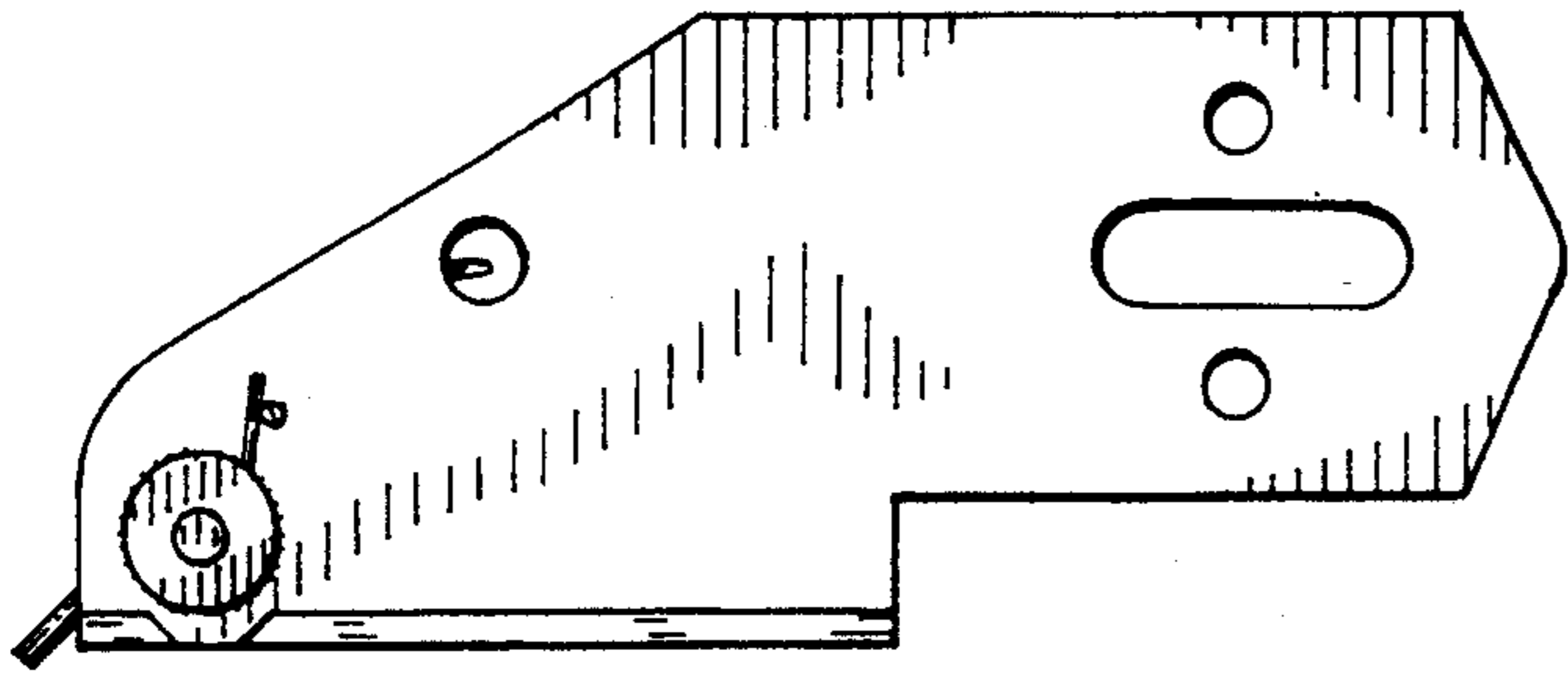


Fig. 4.

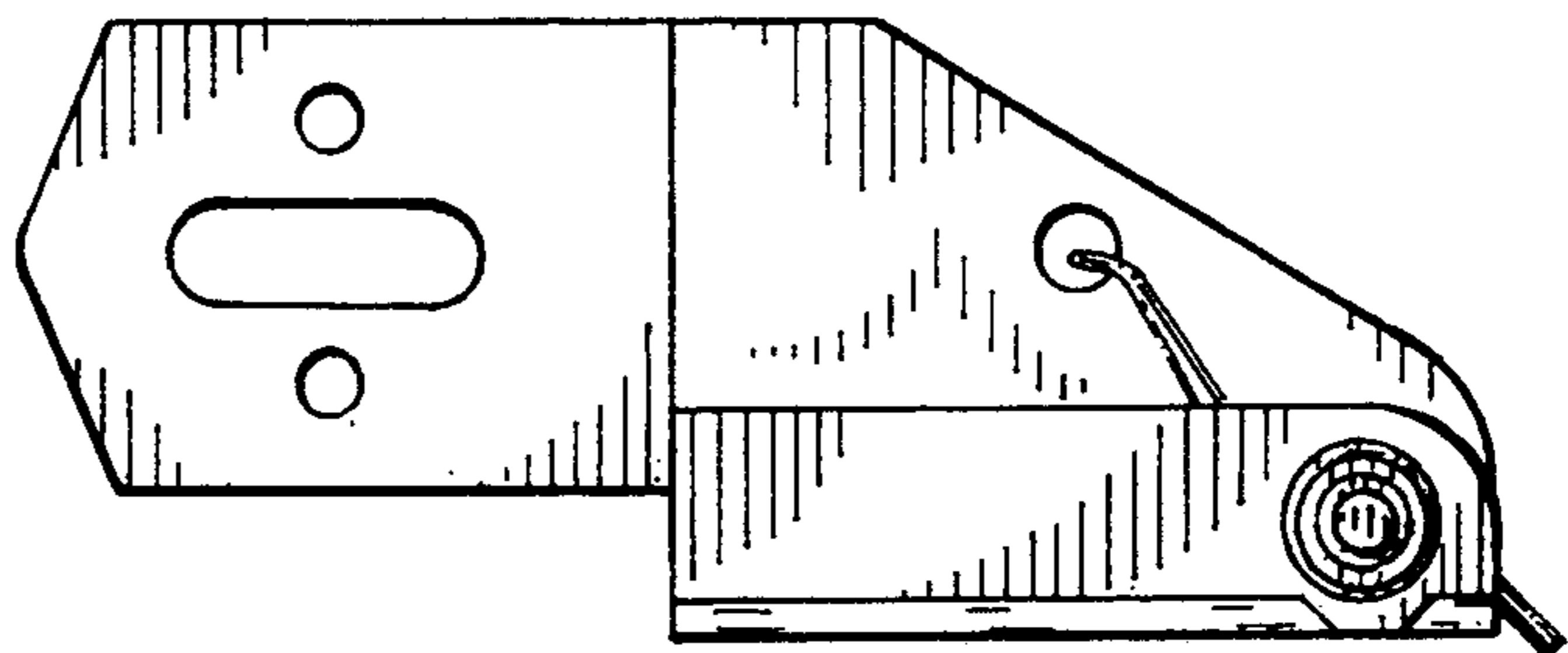


Fig. 5.

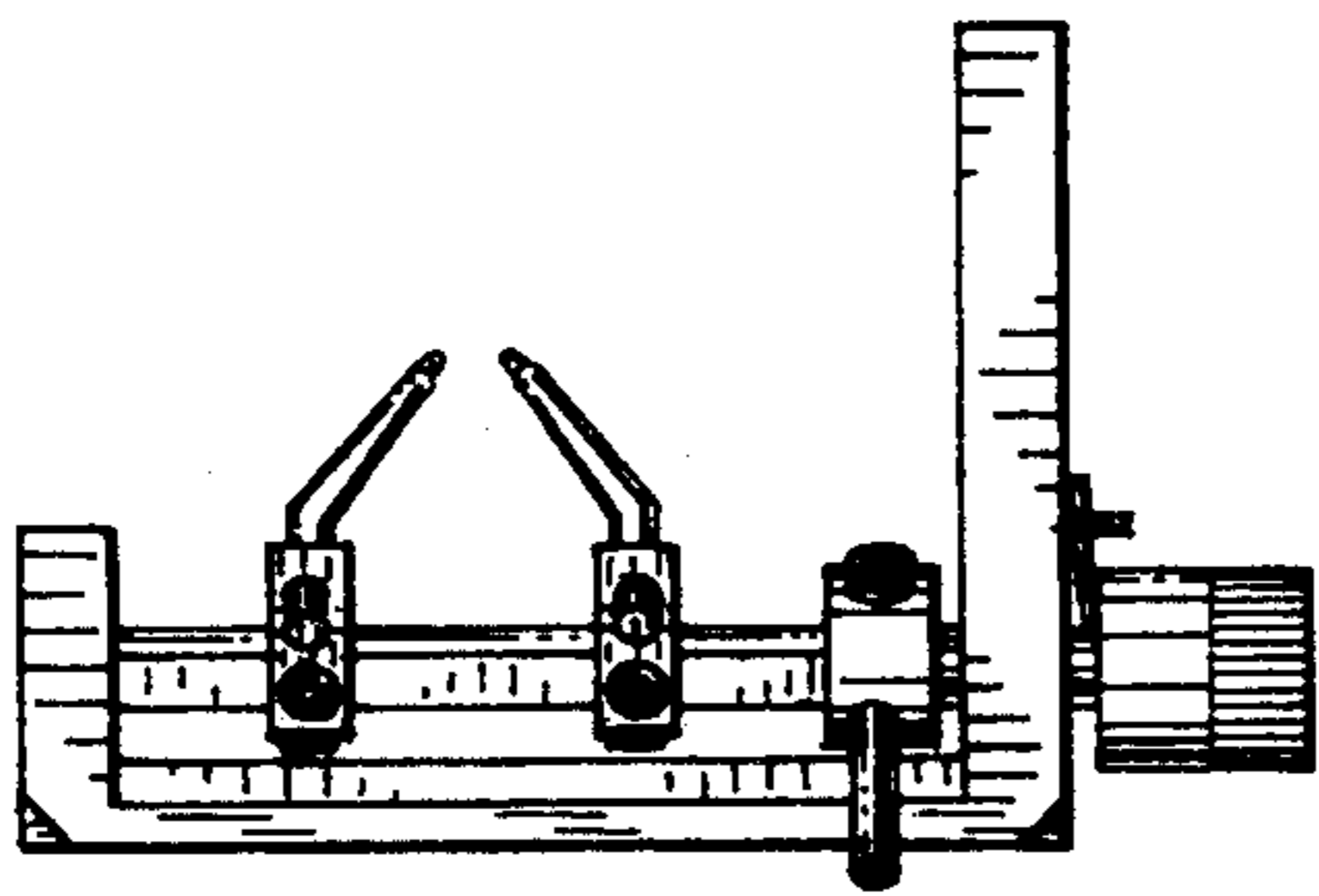


Fig. 6.

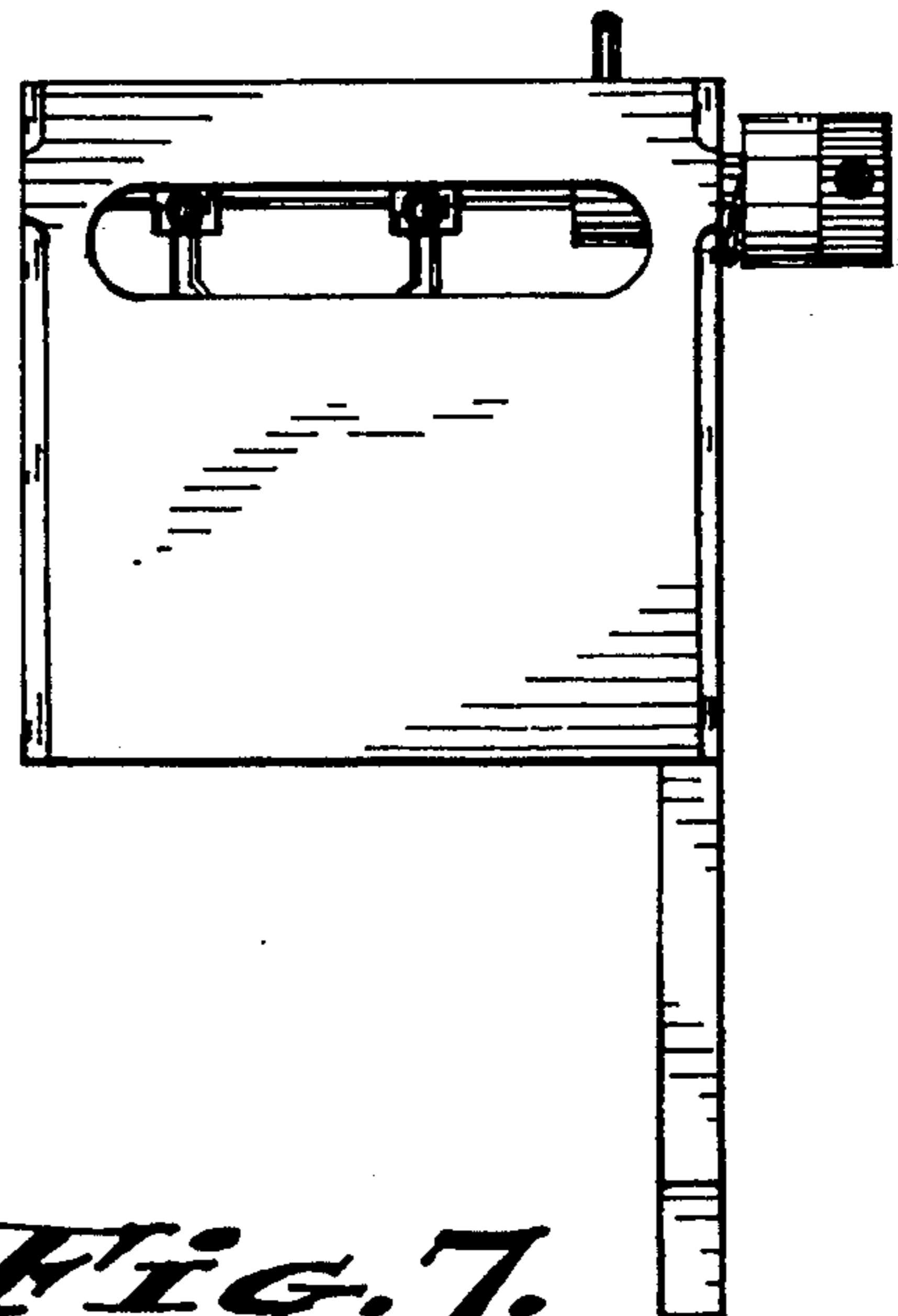


Fig. 7.