



US00D362479S

# United States Patent [19]

[11] Patent Number: **Des. 362,479**

**Destasio, Jr.**

[45] Date of Patent: **\*\* Sep. 19, 1995**

[54] **WAIST TWISTING EXERCISER**

[76] Inventor: **William J. Destasio, Jr., 329 Chamberlain Hwy., Kensington, Conn. 06037**

[\*\*] Term: **14 Years**

[21] Appl. No.: **19,464**

[22] Filed: **Mar. 3, 1994**

[52] U.S. Cl. .... **D21/193; D21/191**

[58] Field of Search ..... **D21/191, 193; 482/131, 482/146, 147, 124**

4,505,476 3/1985 Rubin ..... 482/147  
 4,638,996 1/1987 Simjian ..... 482/147  
 4,976,425 12/1990 Barnes, Jr. .  
 5,069,448 12/1991 Shyu .  
 5,094,449 3/1992 Stearns .  
 5,190,512 3/1993 Curran ..... 482/124  
 5,195,312 3/1993 Stahlecker et al. .

*Primary Examiner*—Theodore M. Shooman  
*Assistant Examiner*—Philip Hyder

### [57] CLAIM

The ornamental design for the waist twisting exerciser, as shown and described.

### [56] References Cited

#### U.S. PATENT DOCUMENTS

2,256,001	9/1941	Titus .....	D21/192
3,100,639	8/1963	Bonewitz .....	D21/193
4,026,279	5/1977	Simjian .....	482/147
4,220,329	9/1980	Agyagos .....	482/147
4,313,603	2/1982	Simjian .....	482/147
4,319,749	3/1982	Agyagos .....	482/147
4,391,441	7/1983	Simjian .....	482/147

### DESCRIPTION

FIG. 1 is a front elevational view of the waist twisting exerciser showing my new design;  
 FIG. 2 is a rear elevational view thereof;  
 FIG. 3 is a left side elevational view thereof;  
 FIG. 4 is a right side elevational view thereof;  
 FIG. 5 is a top plan view thereof;  
 FIG. 6 is a bottom plan view thereof; and,  
 FIG. 7 is a perspective view thereof.

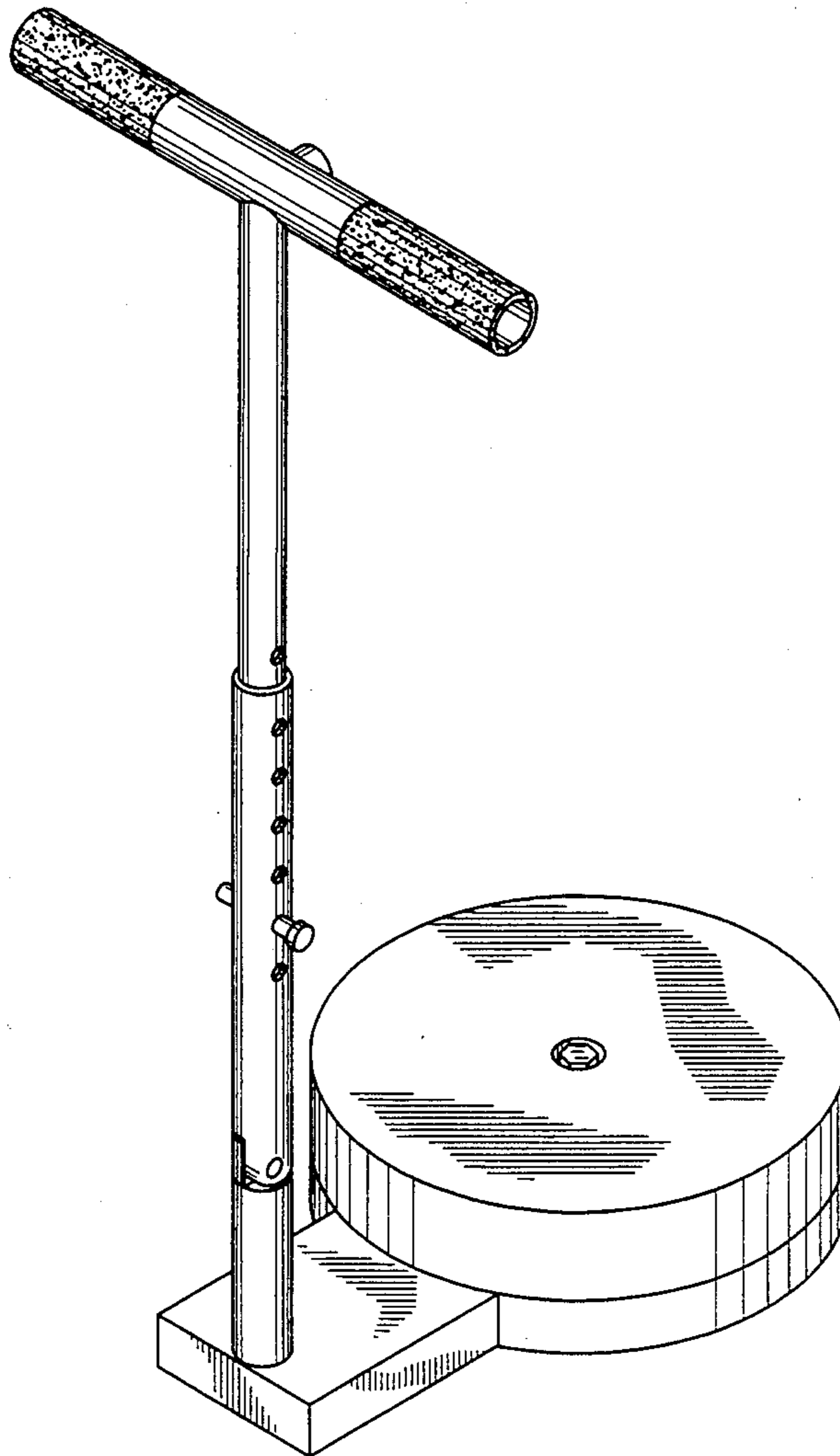


FIG. 1

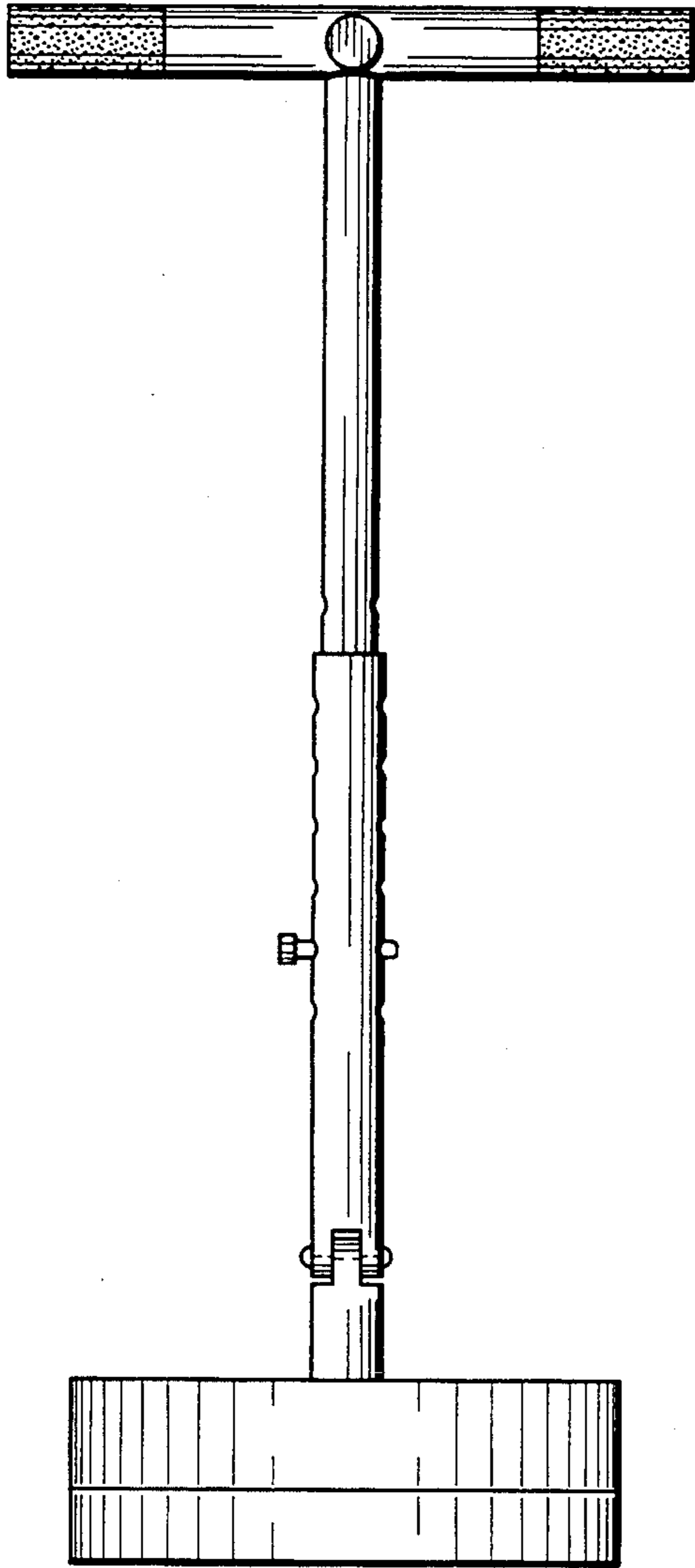


FIG. 2

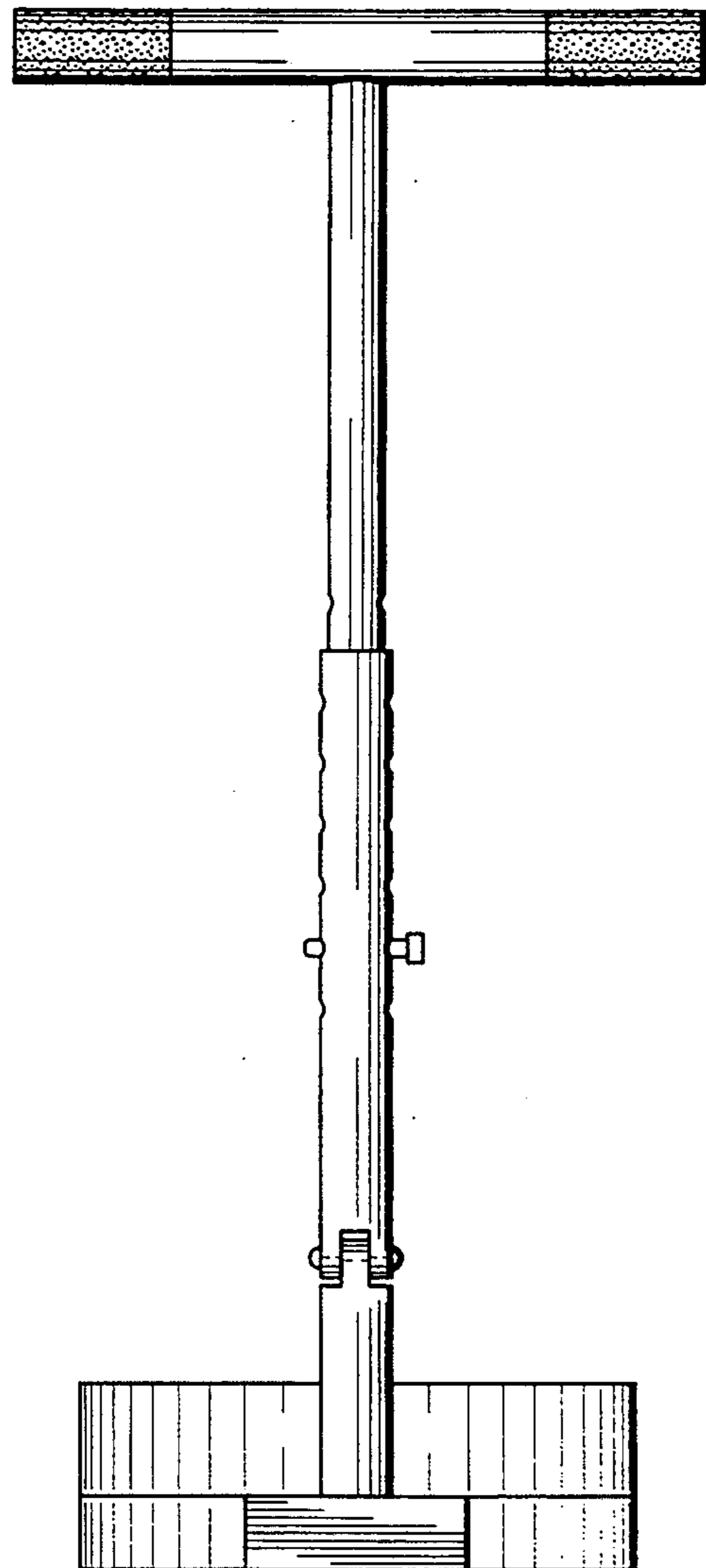


FIG. 3

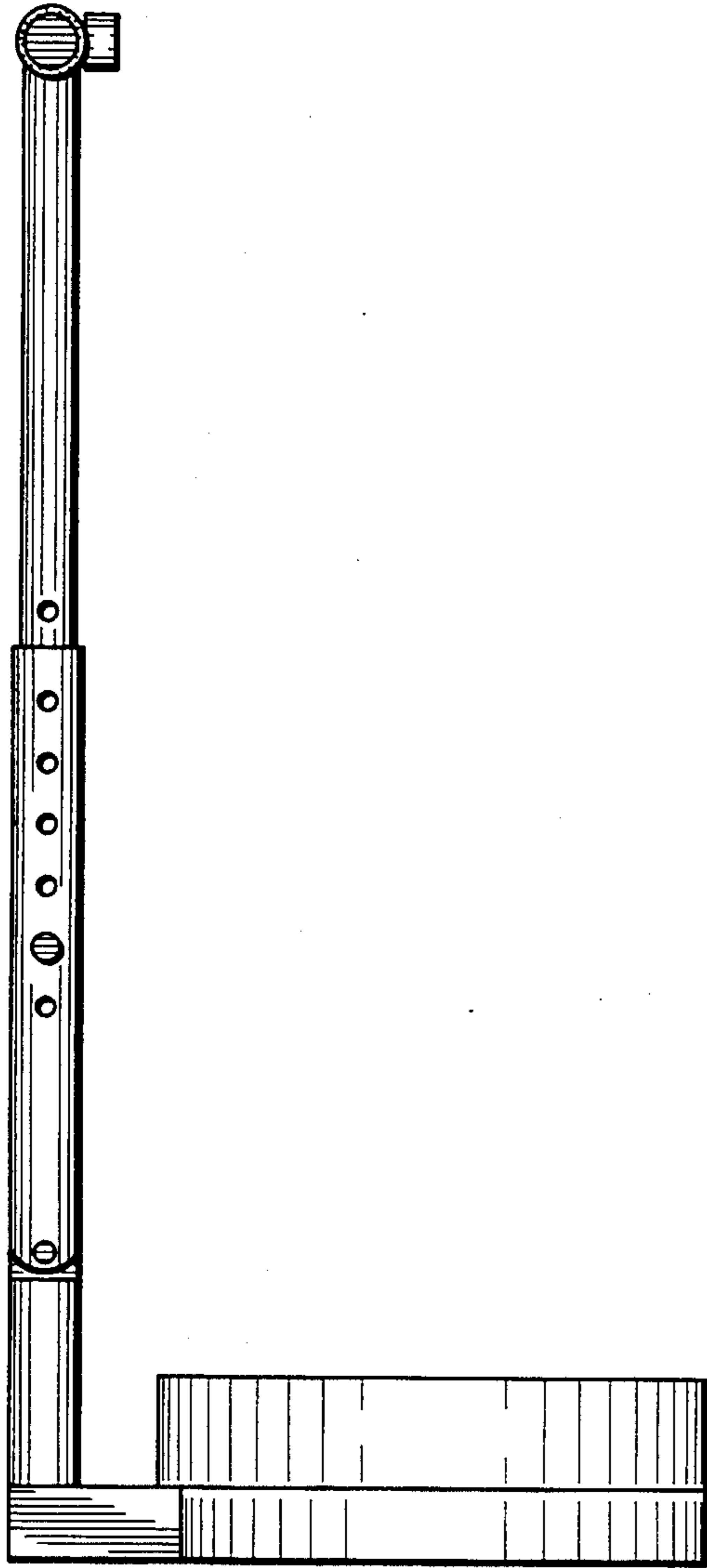


FIG. 4

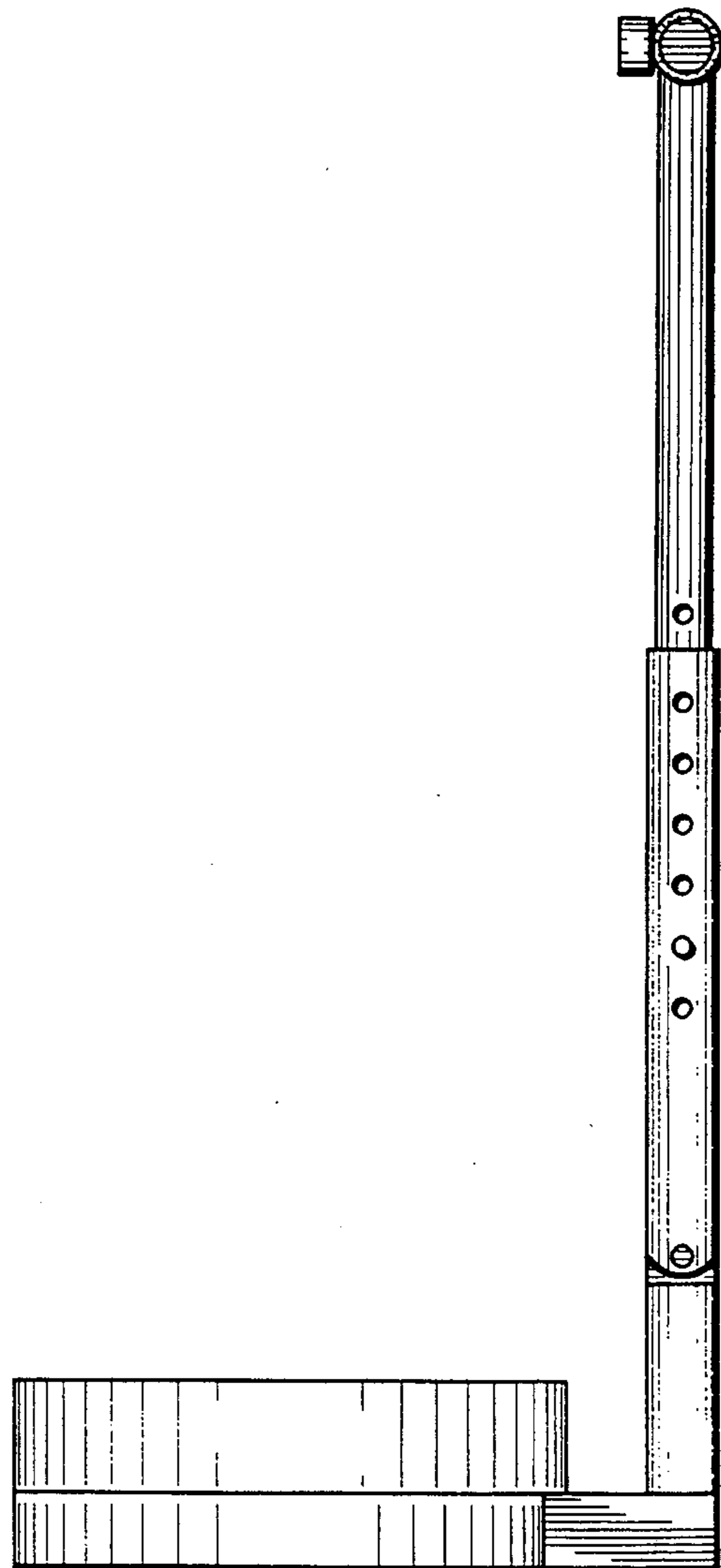


FIG. 5

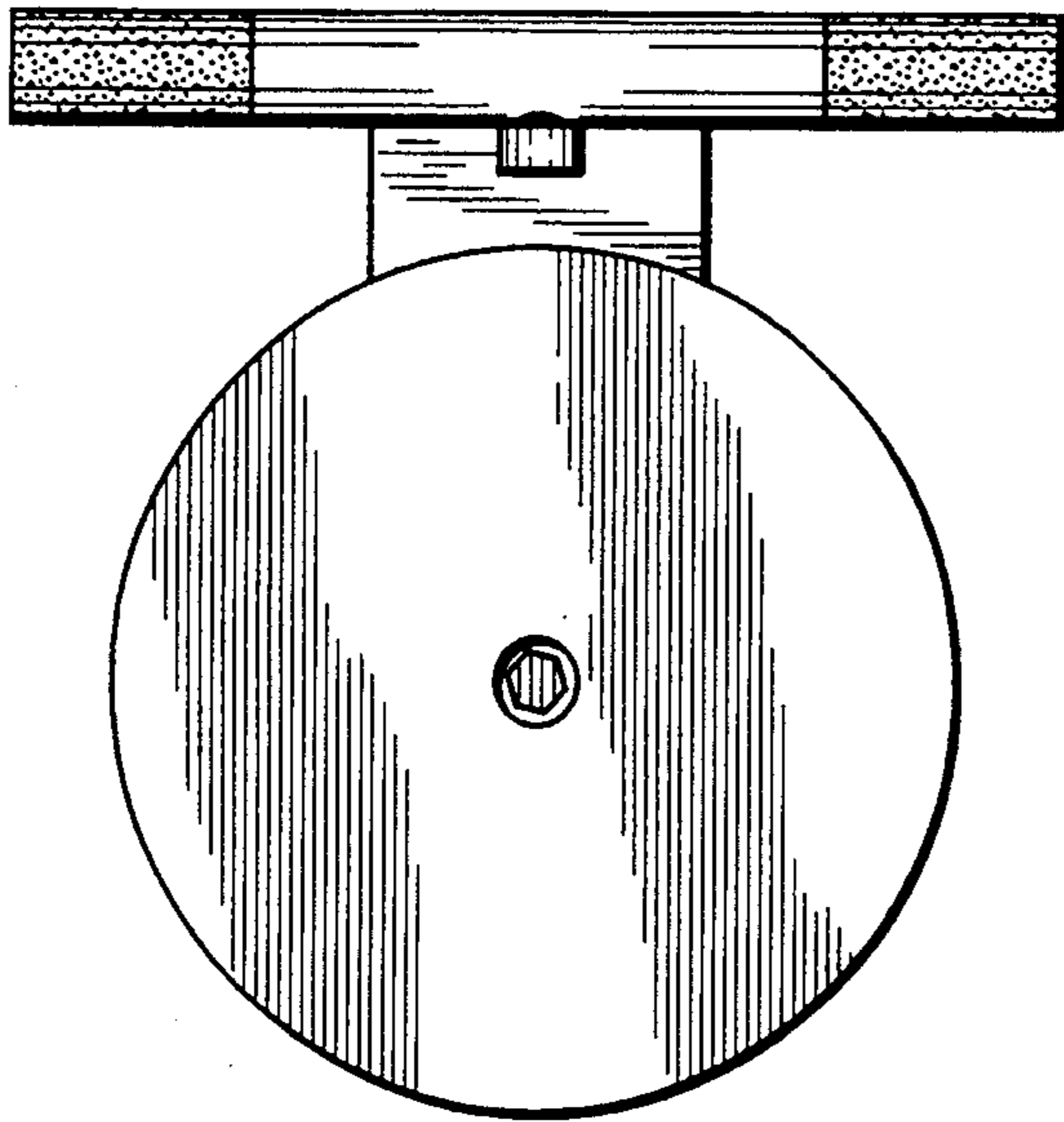


FIG. 6

