



US00D362470S -

United States Patent [19] Smith

[11] Patent Number: **Des. 362,470**

[45] Date of Patent: **** Sep. 19, 1995**

[54] **THROWING TOY**

[76] Inventor: **Kelly J. Smith**, 1509 Great Falls Hwy., Lancaster, S.C. 29720

[**] Term: **14 Years**

[21] Appl. No.: **25,192**

[22] Filed: **Jul. 22, 1994**

[52] U.S. Cl. **D21/86; D21/87**

[58] Field of Search **D21/86, 87, 82; D12/325; 446/46-48**

- 4,132,031 1/1979 Psyras .
- 4,185,826 1/1980 Ueng .
- 4,241,533 12/1980 Newsome .
- 4,301,616 11/1981 Gudgel .
- 5,032,098 7/1991 Balogh et al. .

Primary Examiner—Dominic Simone
Attorney, Agent, or Firm—Richard C. Litman

[57] **CLAIM**

The ornamental design for a throwing toy, as shown and described.

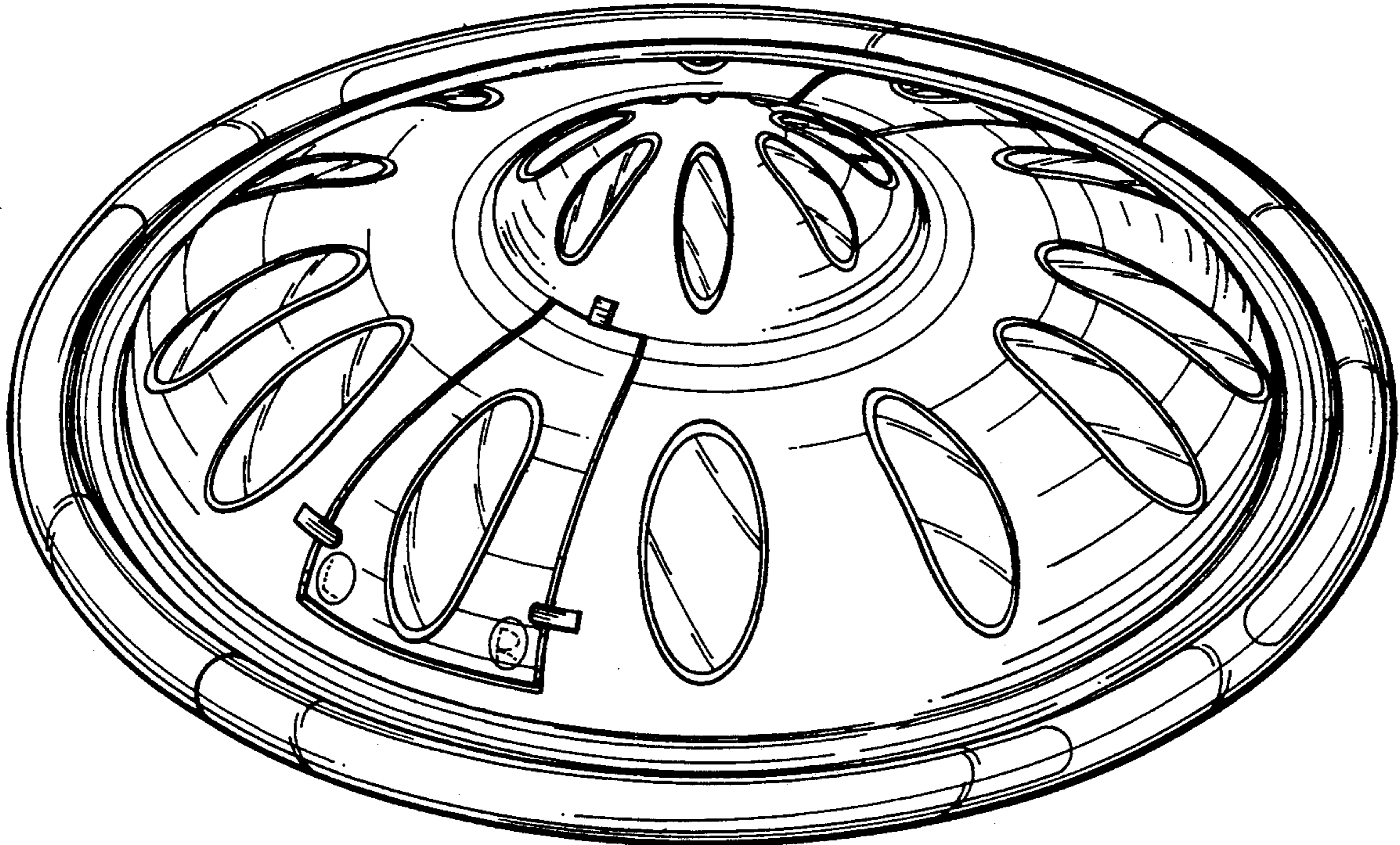
DESCRIPTION

FIG. 1 is a perspective view of a throwing toy showing my new design;
 FIG. 2 is a top plan view thereof;
 FIG. 3 is a front view, with the rear view being a mirror image thereof;
 FIG. 4 is a left side view, with the right side being a mirror image thereof; and,
 FIG. 5 is a bottom view thereof.
 The broken line showing of a button in FIG. 2 is for illustrative purposes only and form no part of the claimed design.

[56] **References Cited**

U.S. PATENT DOCUMENTS

- D. 213,529 3/1969 Sherwood et al. D12/325
- D. 221,967 9/1971 Sheard .
- D. 266,263 9/1982 Zachar D21/86
- D. 280,220 8/1985 Blight .
- D. 350,783 9/1994 Bacon D21/82 X
- 2,659,178 11/1953 Hartesveldt 446/46
- 2,935,275 5/1960 Grayson D12/325 X
- 3,720,018 3/1973 Peterson et al. .
- 3,742,643 7/1973 Keith .
- 3,786,246 1/1974 Johnson et al. .



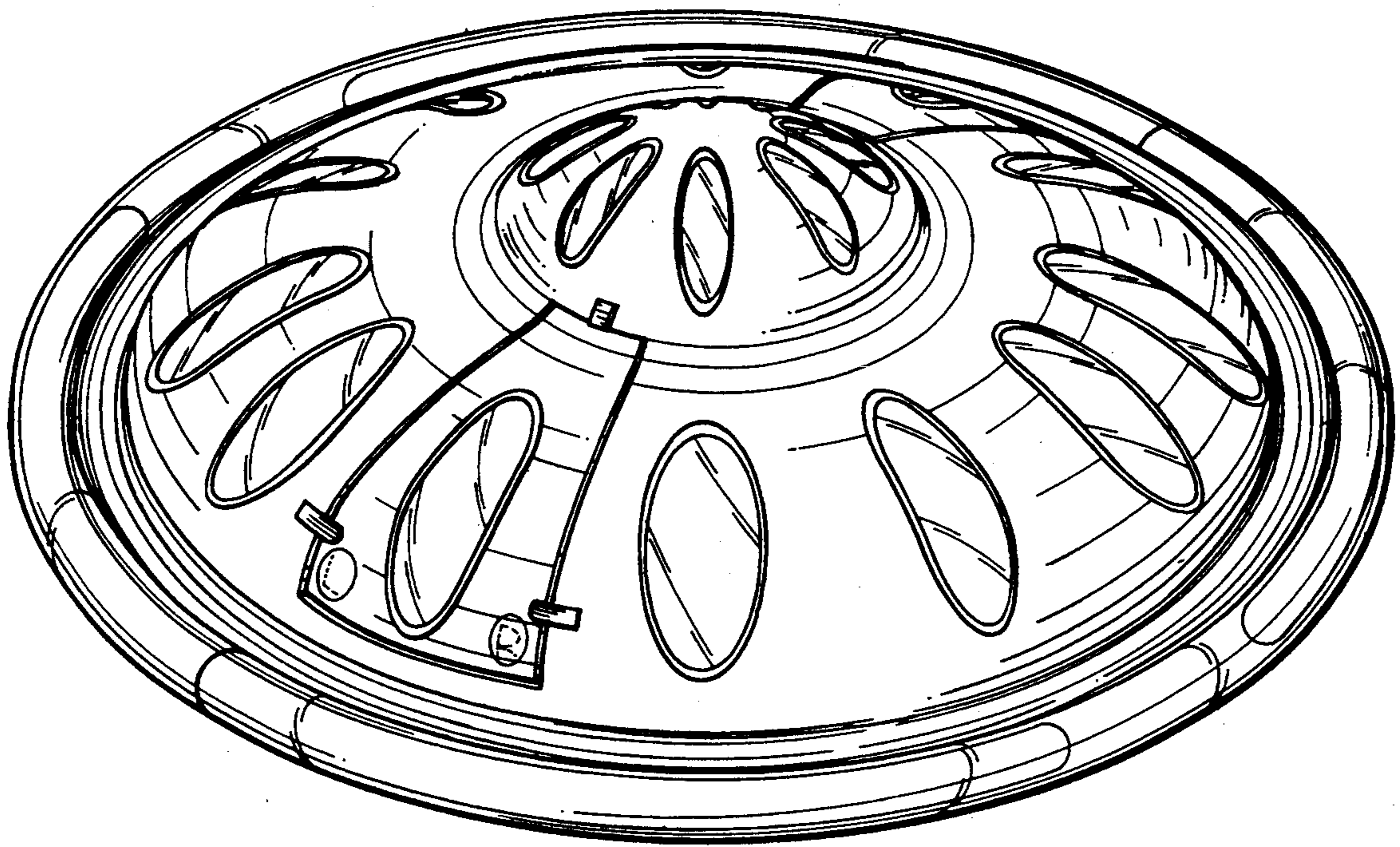


FIG. 1

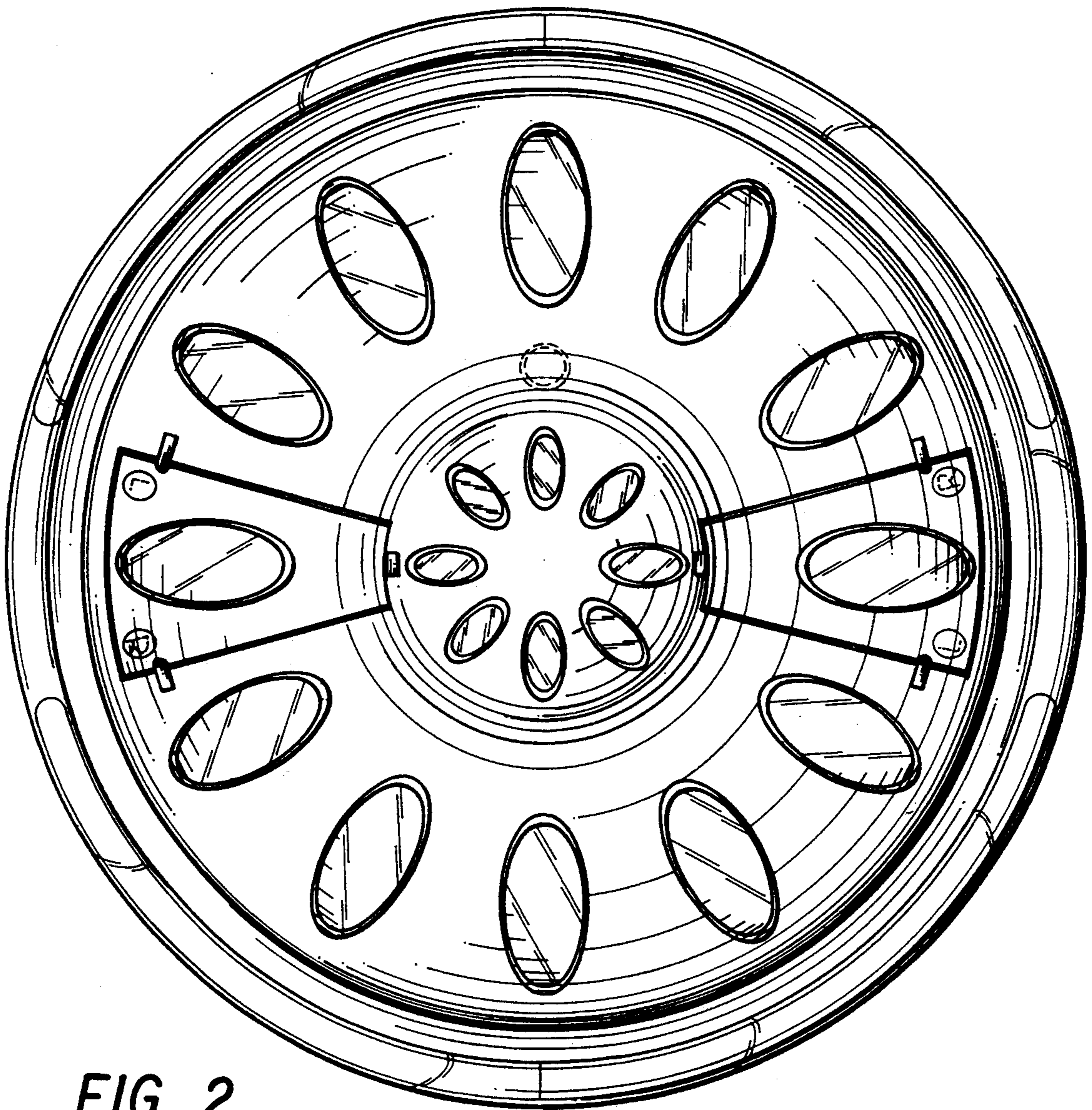


FIG. 2

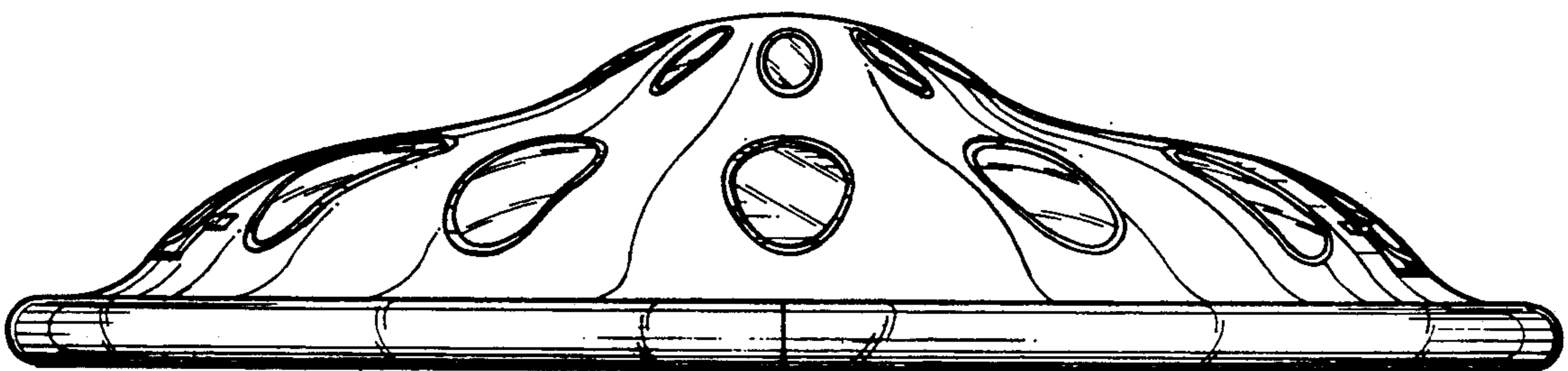


FIG. 3

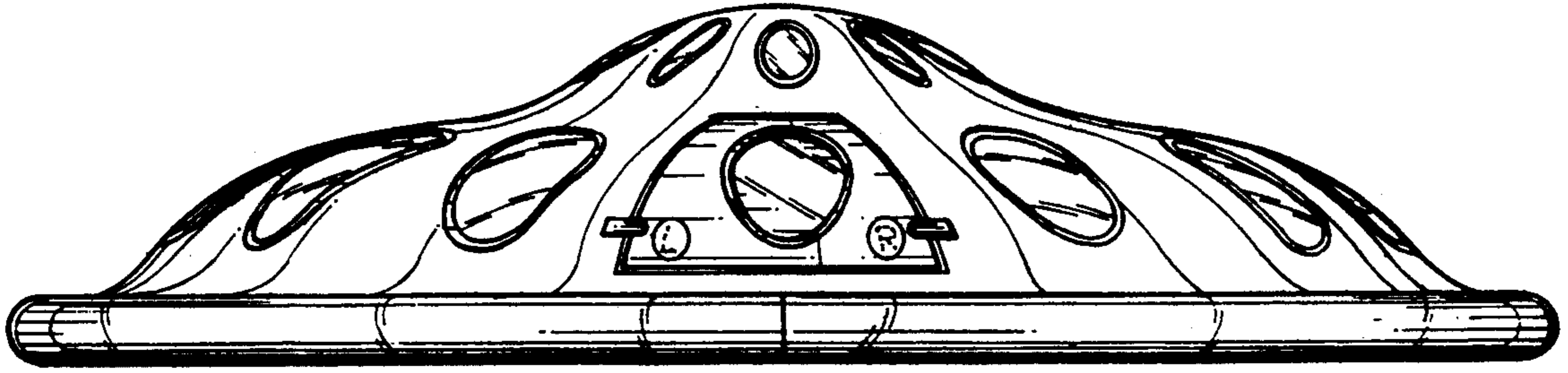


FIG. 4

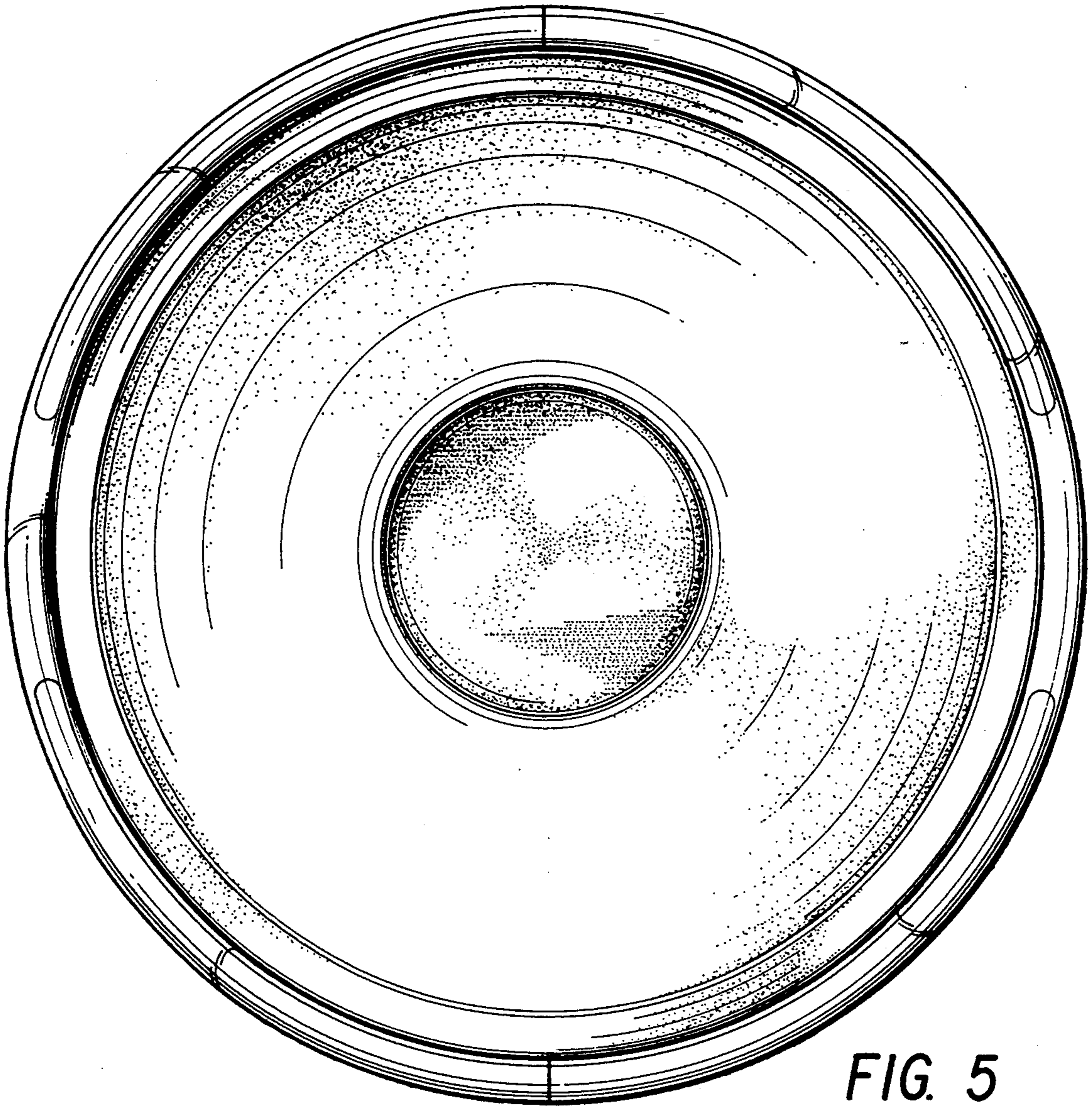


FIG. 5