



US00D362469S

United States Patent [19]

[11] Patent Number: **Des. 362,469**

Kino

[45] Date of Patent: **** Sep. 19, 1995**

[54] **TOY PIANO**

[75] Inventor: **Moriya Kino, Yokohama, Japan**

[73] Assignee: **Royal Co., Ltd., Japan**

[**] Term: **14 Years**

[21] Appl. No.: **22,873**

[22] Filed: **May 13, 1994**

[52] U.S. Cl. **D21/64**

[58] Field of Search **D21/59, 64; 446/397, 446/408**

[56] **References Cited**

U.S. PATENT DOCUMENTS

- D. 85,662 12/1931 Lukens D21/64
- D. 163,529 6/1951 Magnus et al. D21/64
- D. 232,574 8/1974 Satten D21/64
- D. 255,370 6/1980 Hayama et al. D21/64

OTHER PUBLICATIONS

Catalogue including "Fun Fun Piano", issue 1992 by Royal.

Catalogue including "Keyboard", issued 1992 by Bandai.

Catalogue including "Snoopy Piano", issued 1993 by Aprica.

Catalogue including "Talking Animal Keyboard", issued 1991 by Playskool.

Catalogue including "Piano-chansons", issued by Playskool.

Primary Examiner—Dominic Simone
Attorney, Agent, or Firm—Ostrolenk, Faber, Gerb & Soffen

[57] **CLAIM**

The ornamental design for a toy piano, as shown and described.

DESCRIPTION

FIG. 1 is a top plan view of a toy piano showing my new design;

FIG. 2 is a front elevational view thereof;

FIG. 3 is a left side elevational view thereof;

FIG. 4 is a right side elevational view thereof;

FIG. 5 is a bottom plan view thereof;

FIG. 6 is a rear elevational view thereof;

FIG. 7 is a section view taken in the direction of the arrows on the line VII-VII of FIG. 1;

FIG. 8 is a front elevational view in an operating condition; and,

FIG. 9 is a right side elevational view in an operating condition.

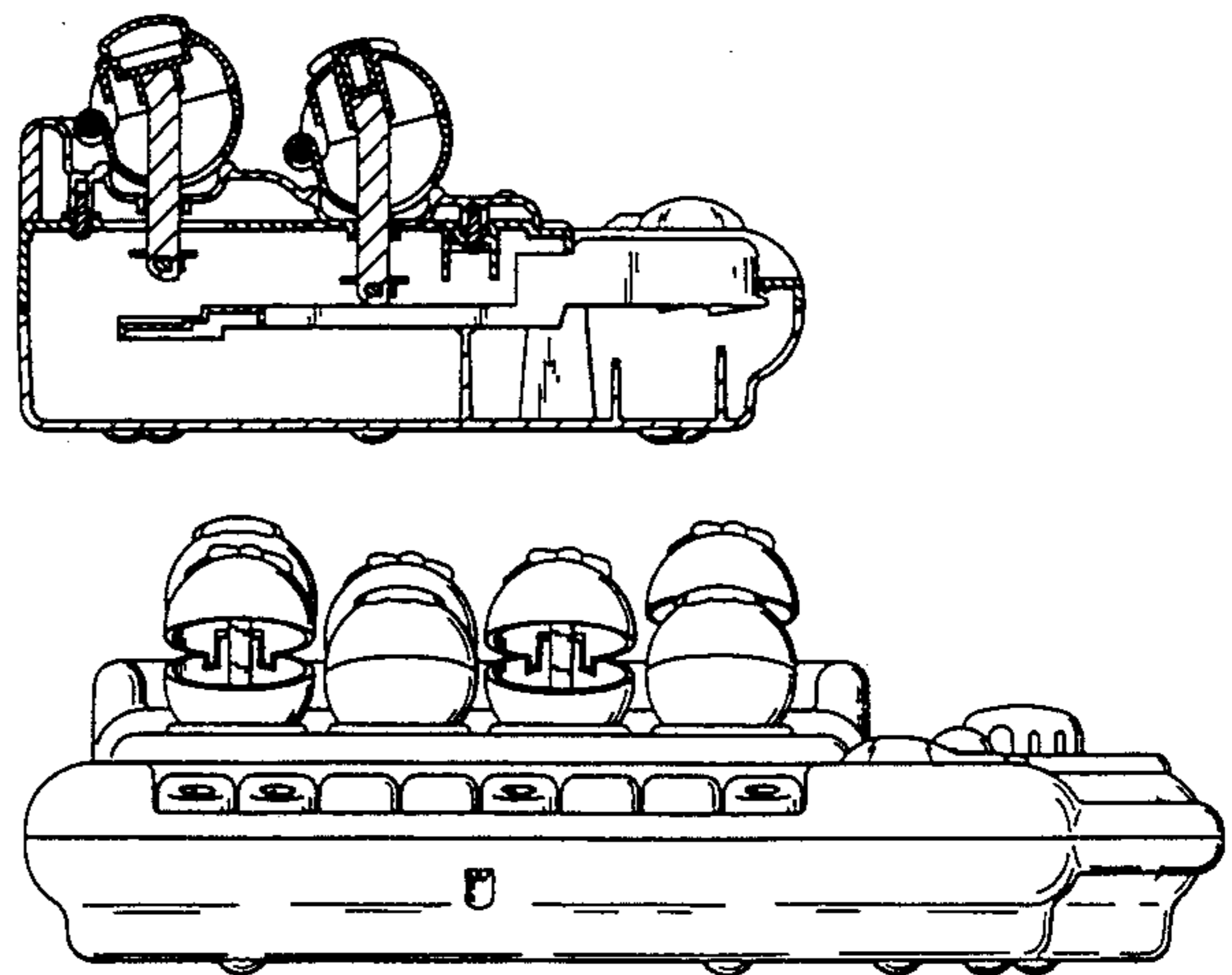
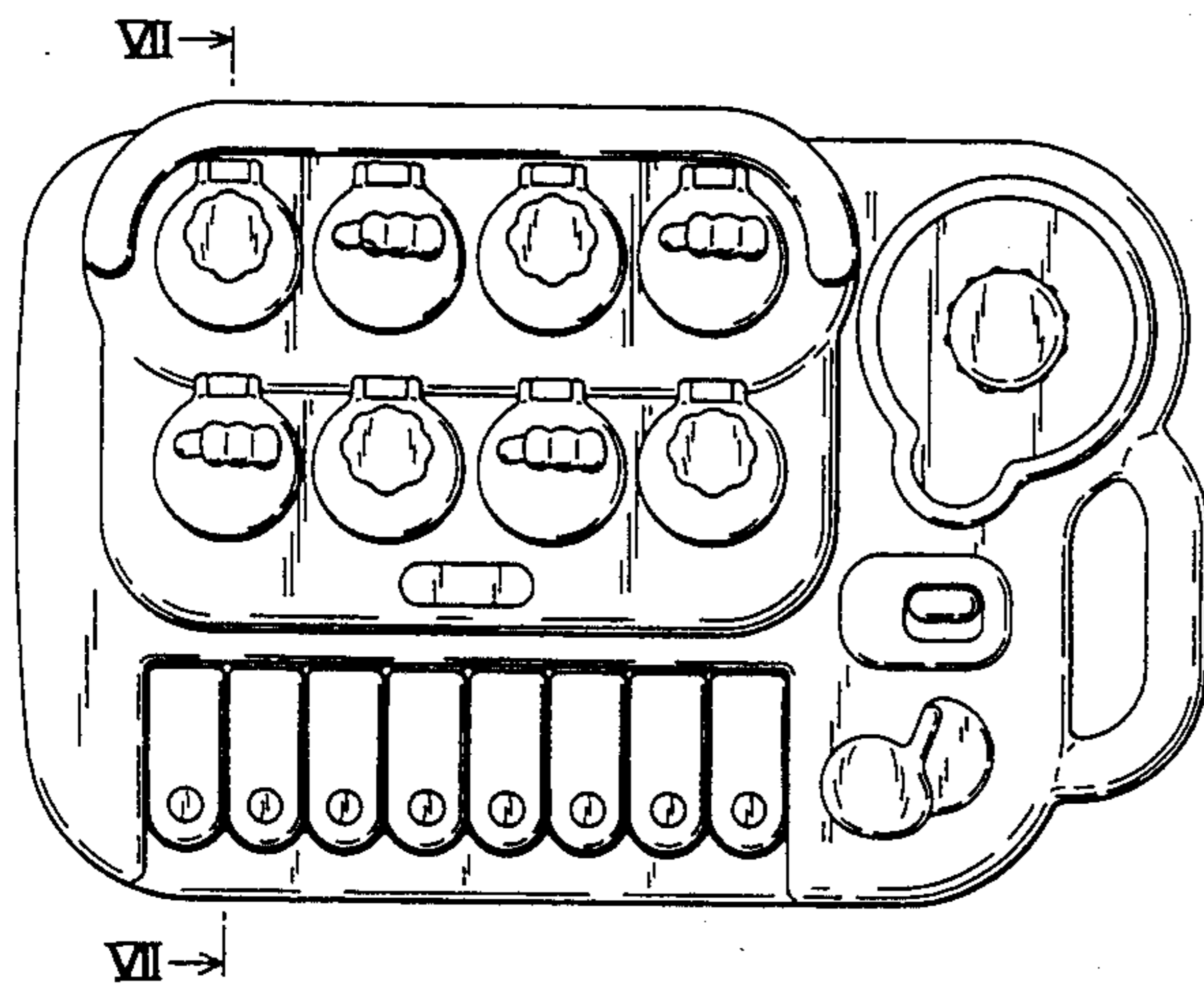


Fig. 1

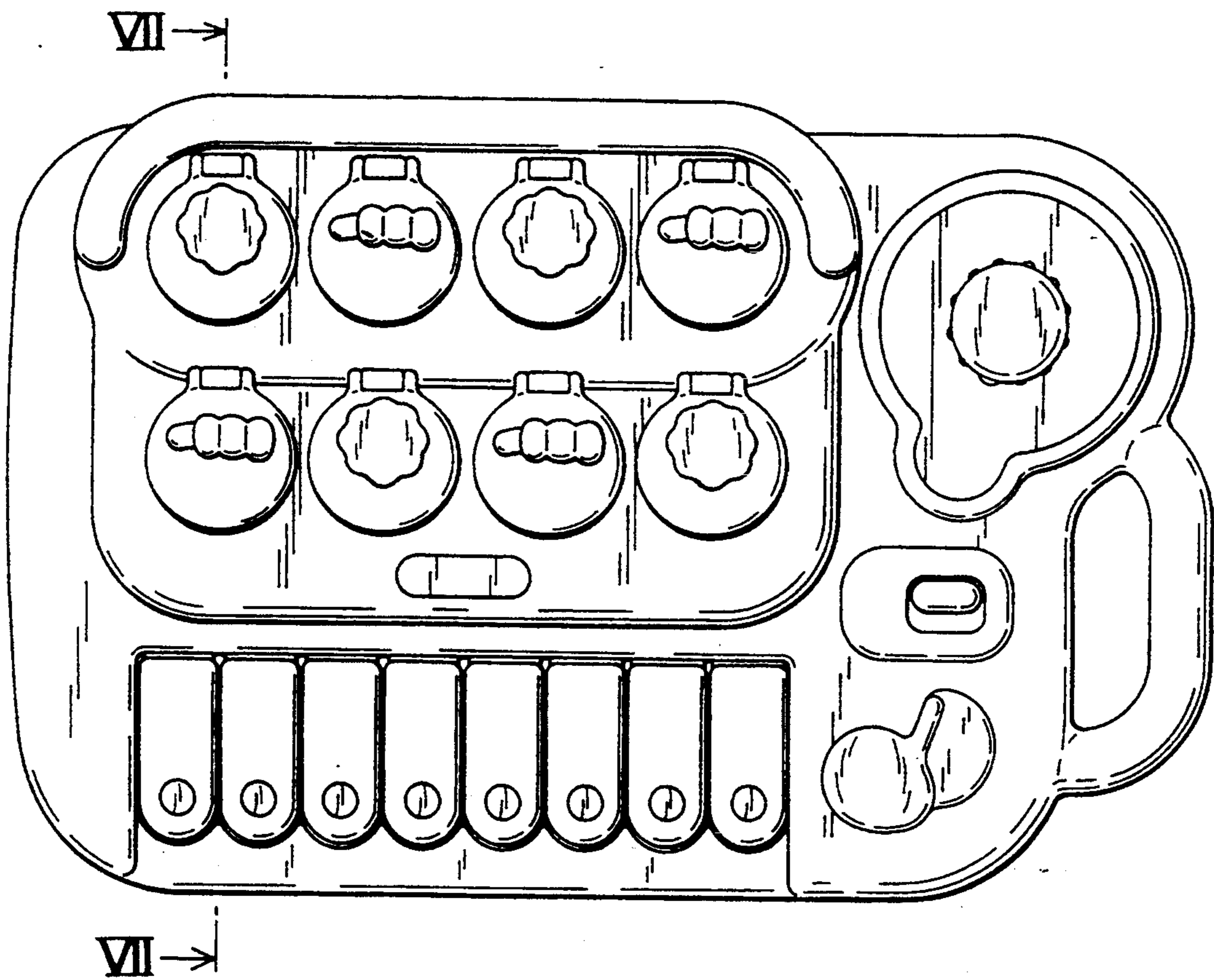


Fig. 2

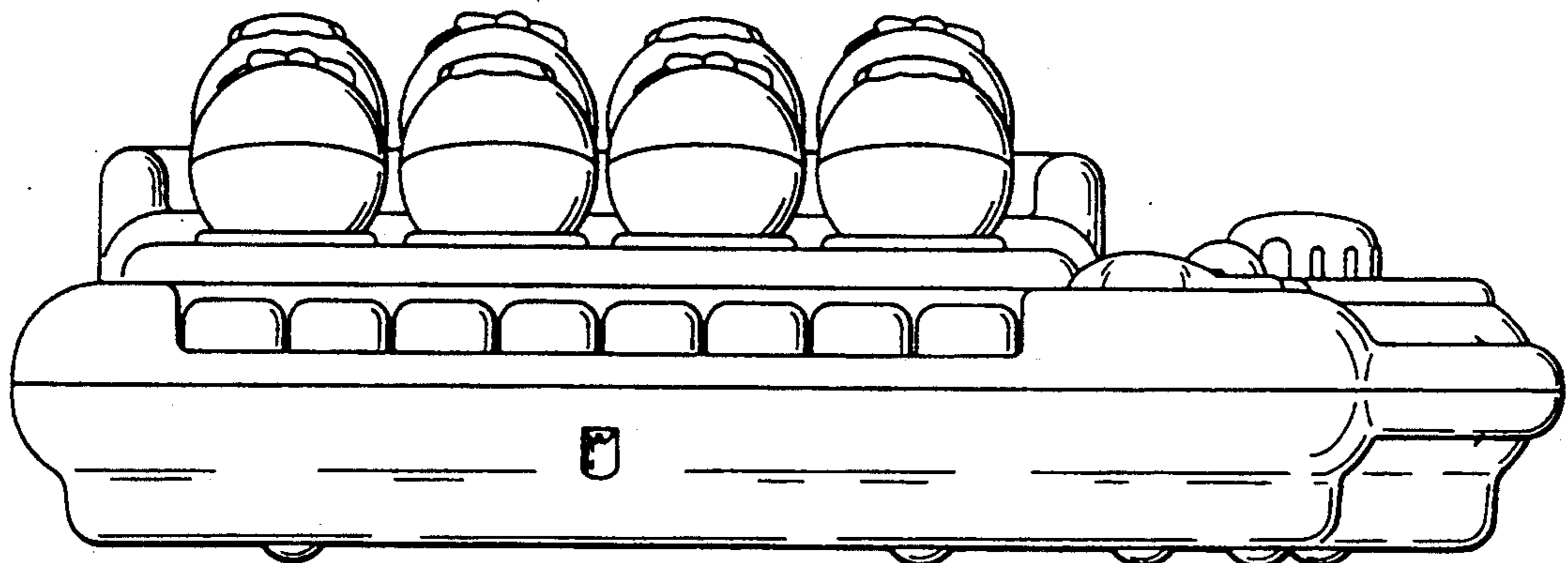


Fig. 3

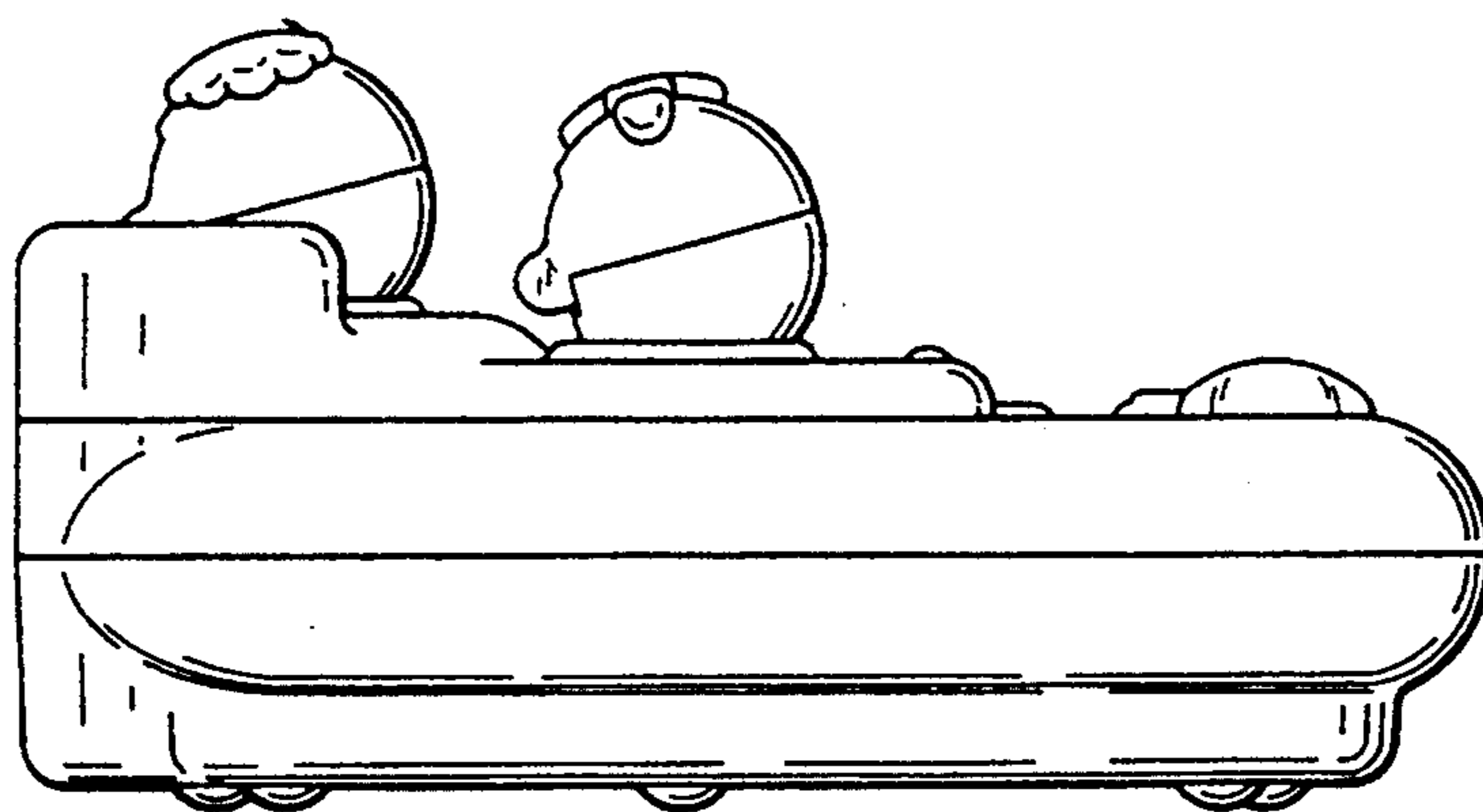


Fig. 4

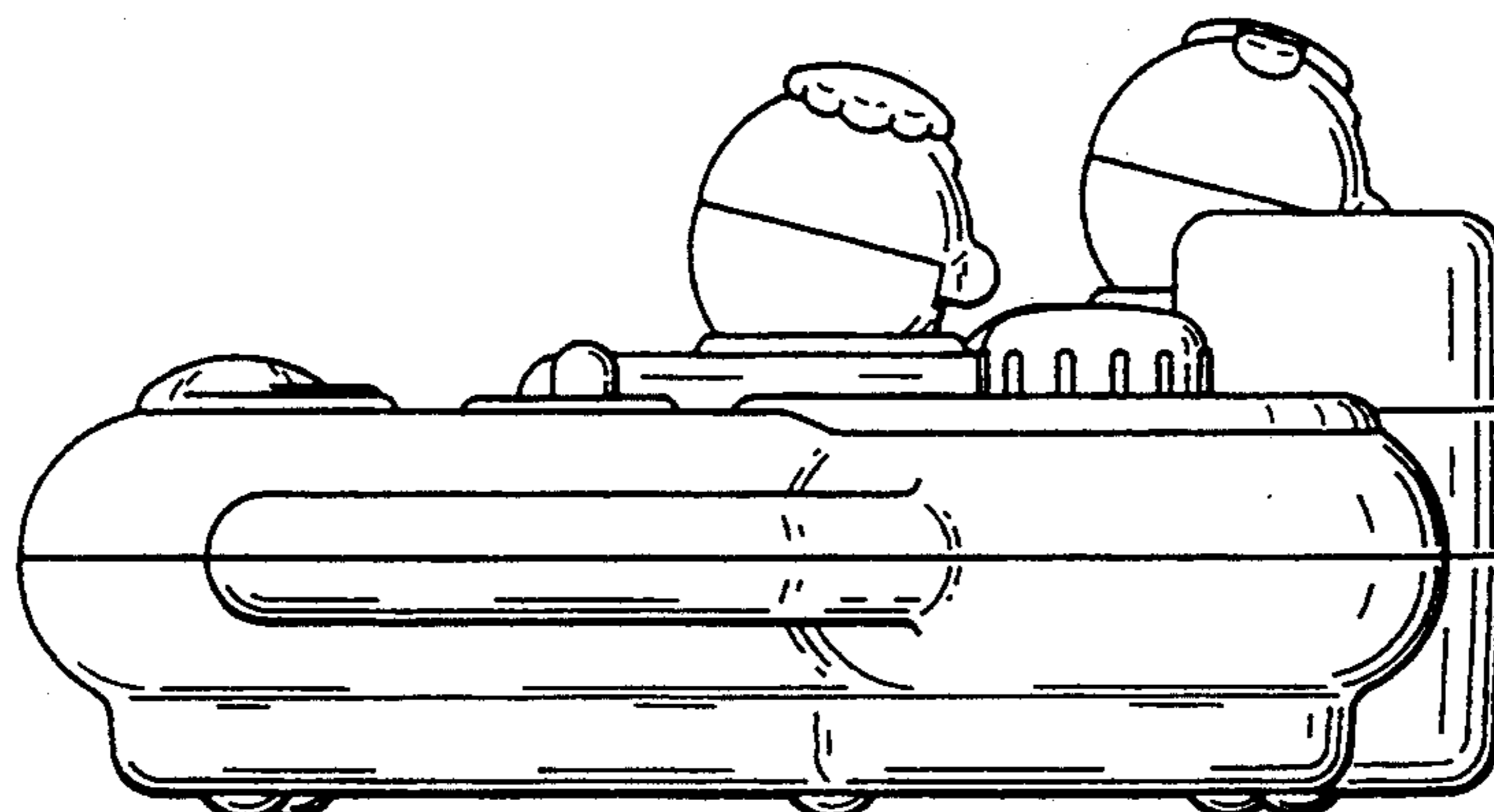


Fig. 5

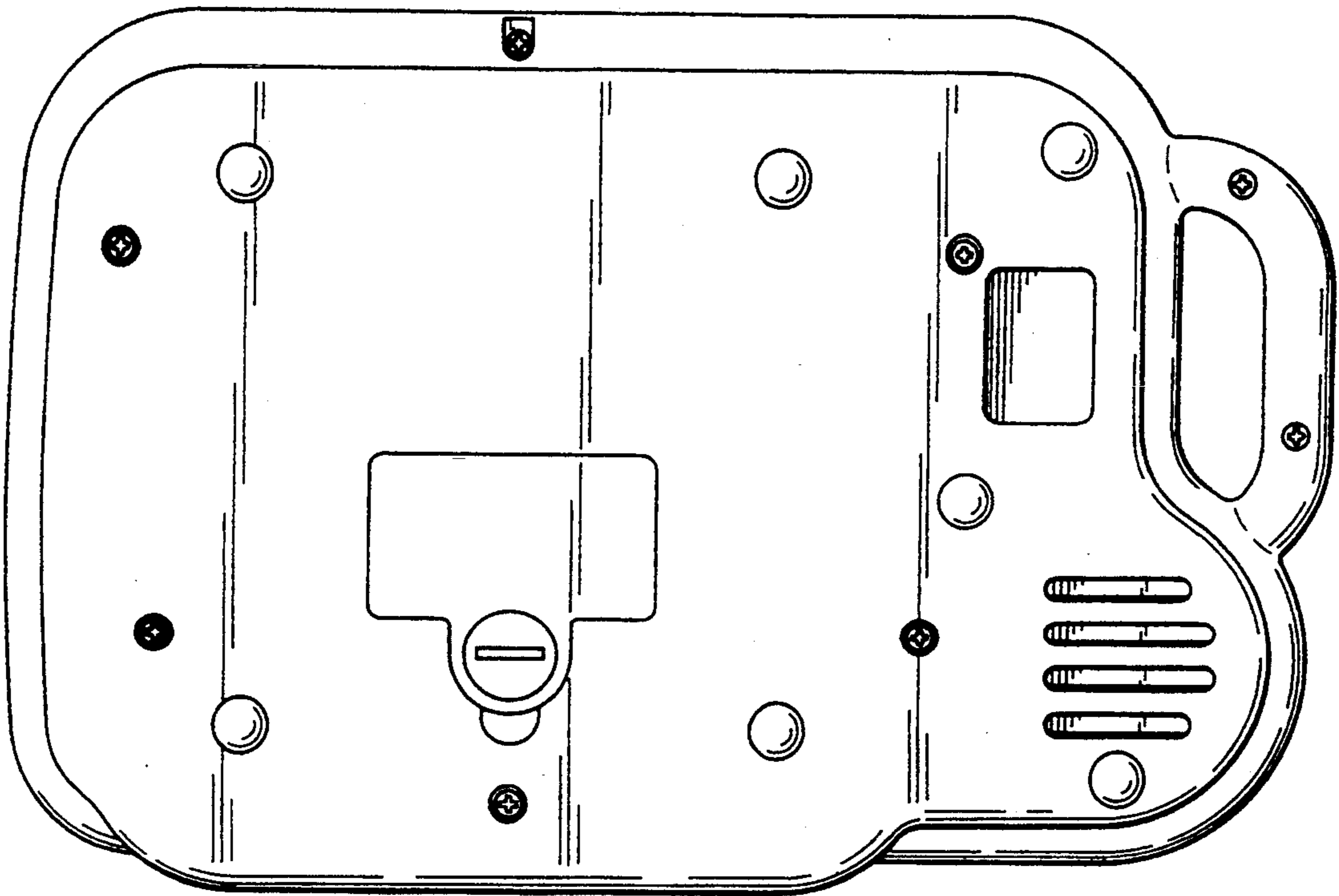


Fig. 6

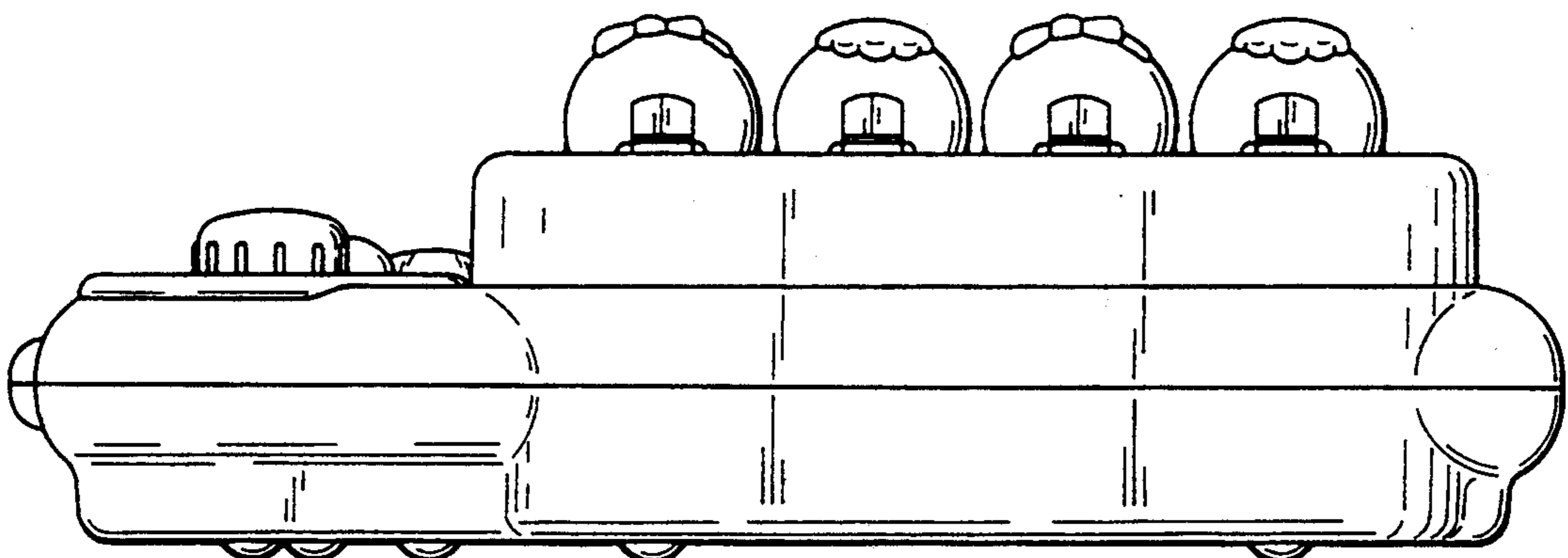


Fig. 7

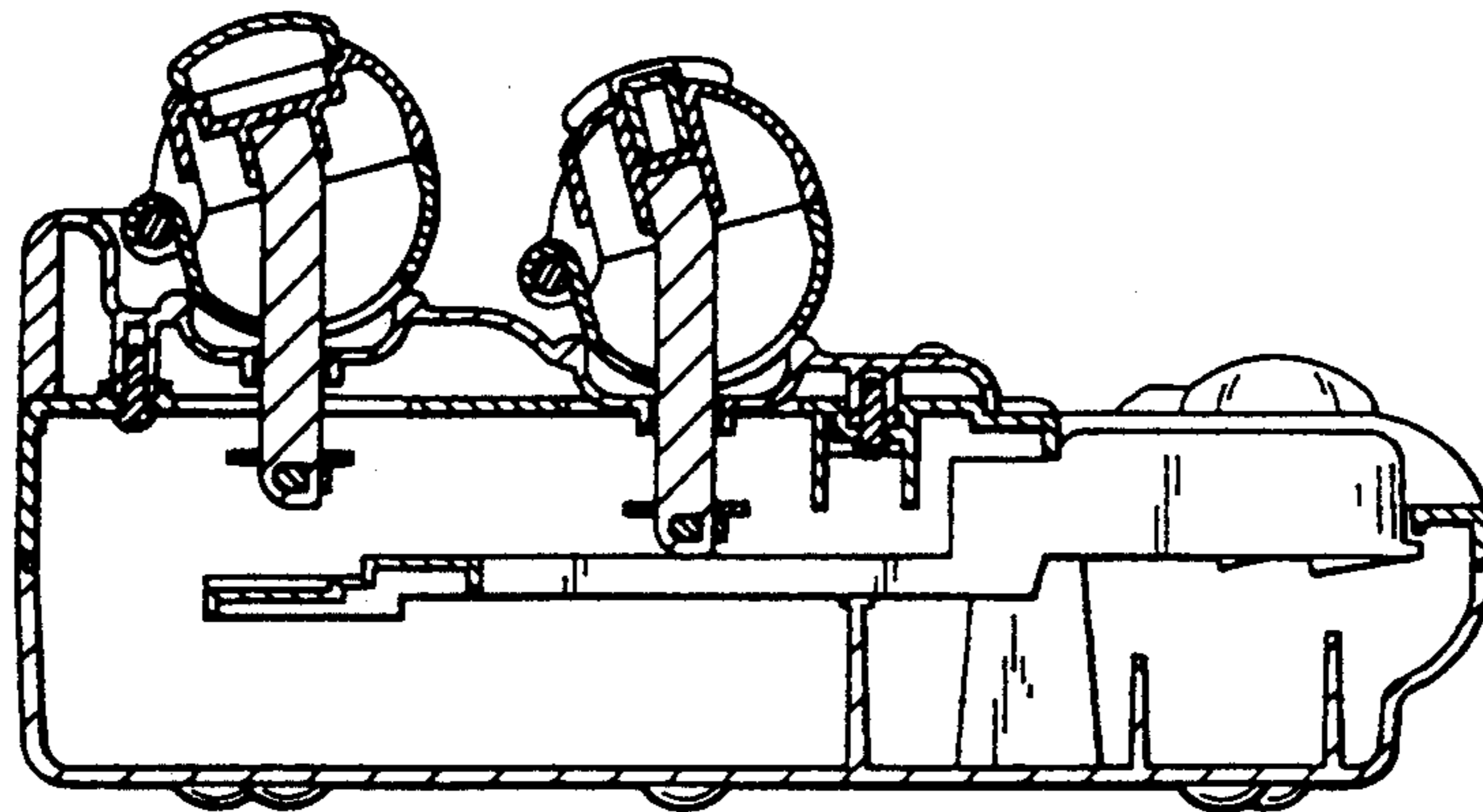


Fig. 8

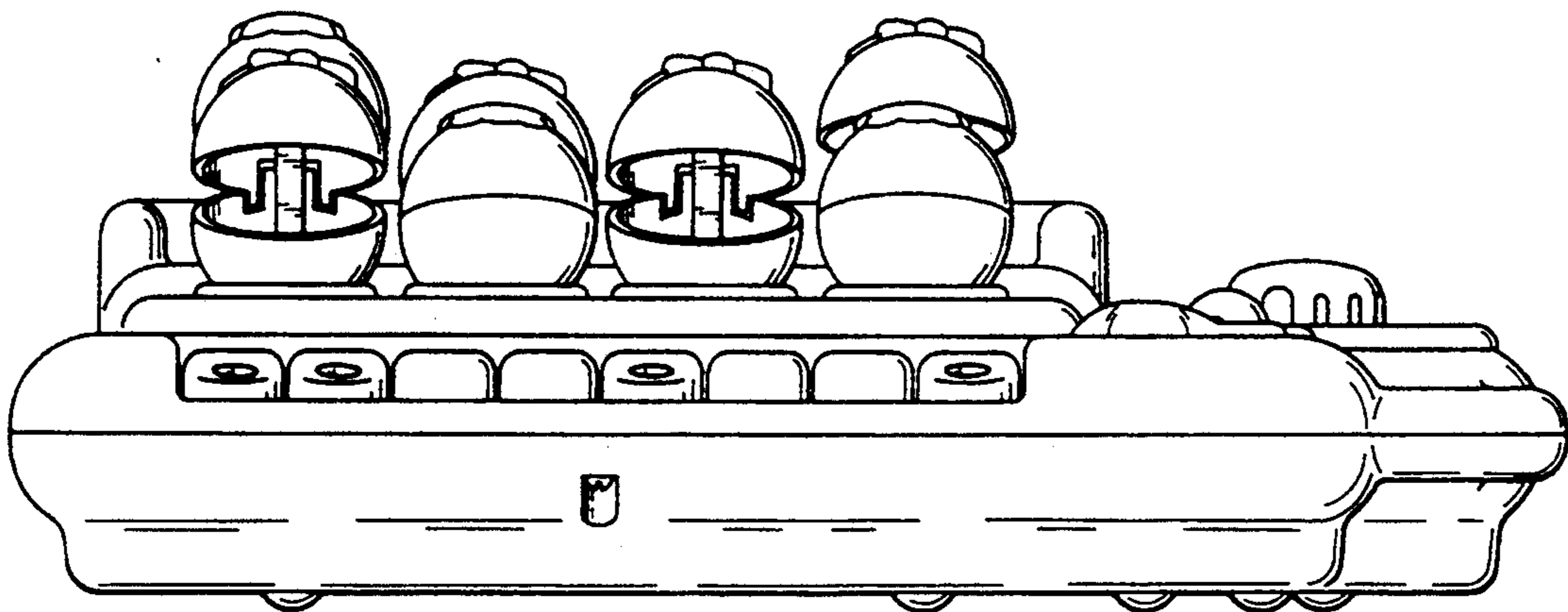


Fig. 9

