



US00D362464S

United States Patent [19]

[11] Patent Number: **Des. 362,464**

Butts

[45] Date of Patent: **** Sep. 19, 1995**

[54] **IDENTIFICATION TAG FOR ROLLED DOCUMENTS**

1,854,908 4/1932 Northup 40/660
1,968,937 8/1934 Gaus 40/305

- [75] Inventor: **Daniel C. Butts, Julian, Calif.**
- [73] Assignee: **Paul G. Marshall, Jr., Upland, Calif.**
- [**] Term: **14 Years**
- [21] Appl. No.: **23,305**
- [22] Filed: **May 23, 1994**
- [52] U.S. Cl. **D20/28**
- [58] Field of Search **D20/10, 22, 23, 26, D20/27, 28, 29, 40; 40/1, 305, 309, 316, 332, 642**

Primary Examiner—A. Hugo Word
Assistant Examiner—Marcus Jackson
Attorney, Agent, or Firm—Henri J. A. Charmasson; John D. Buchaca

[57] **CLAIM**

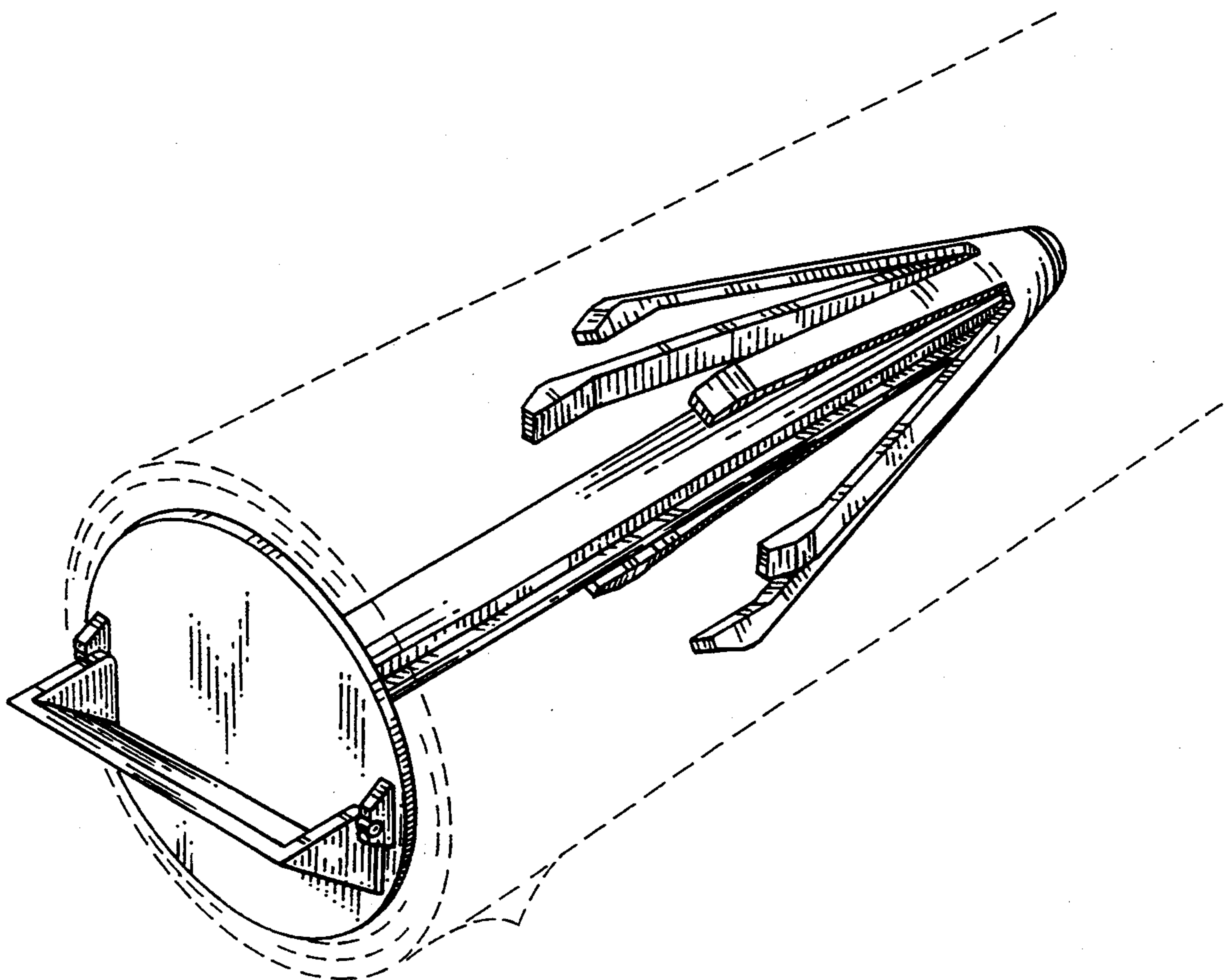
The ornamental design for an identification tag for rolled documents, as shown and described.

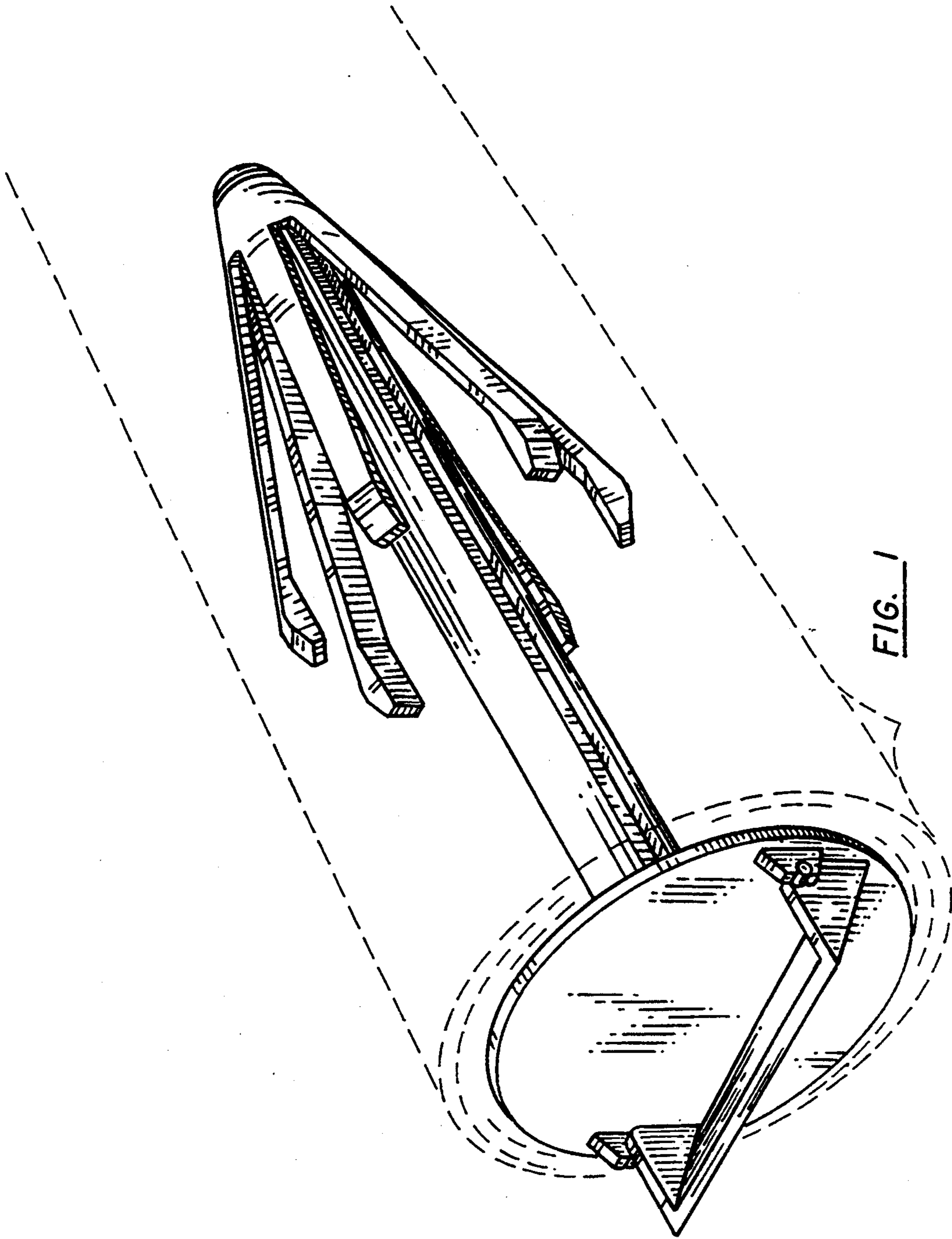
DESCRIPTION

FIG. 1 is a perspective view of an identification tag for rolled documents showing my new design, with the broken line showing for illustrative purposes only and forming no part of the claimed design; FIG. 2 is a front elevational view thereof; FIG. 3 is a left side view thereof, the right side being a mirror image of the left side; FIG. 4 is a rear elevational view thereof; and, FIG. 5 is a bottom plan view thereof, with the top being a mirror image when the sign portion is rotated.

[56] **References Cited**
U.S. PATENT DOCUMENTS

38,365	4/1863	Goodrich et al.	40/305
D. 74,031	12/1927	Stanton	D20/22
547,274	10/1895	Millar	40/305
931,420	8/1909	Harris et al.	40/305
1,716,139	6/1929	Kiger	40/660





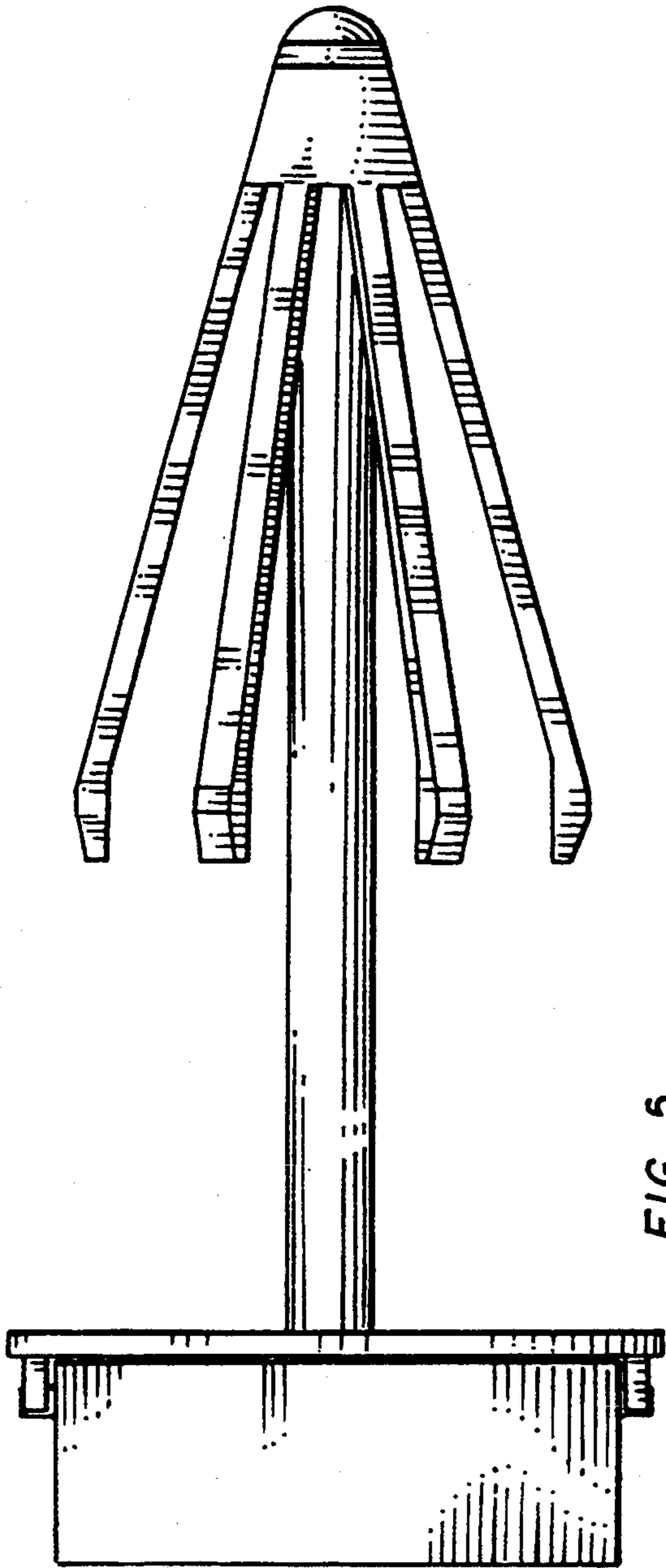


FIG. 5

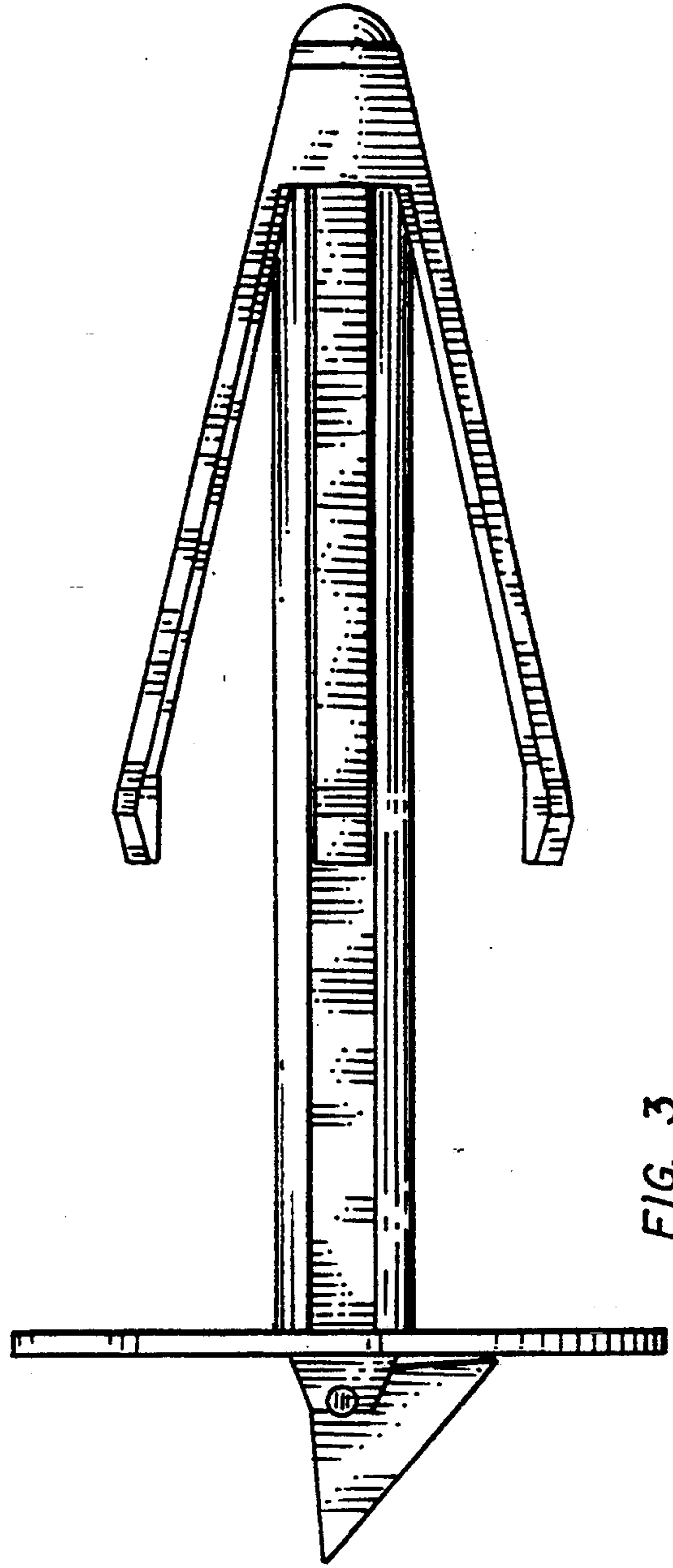


FIG. 3

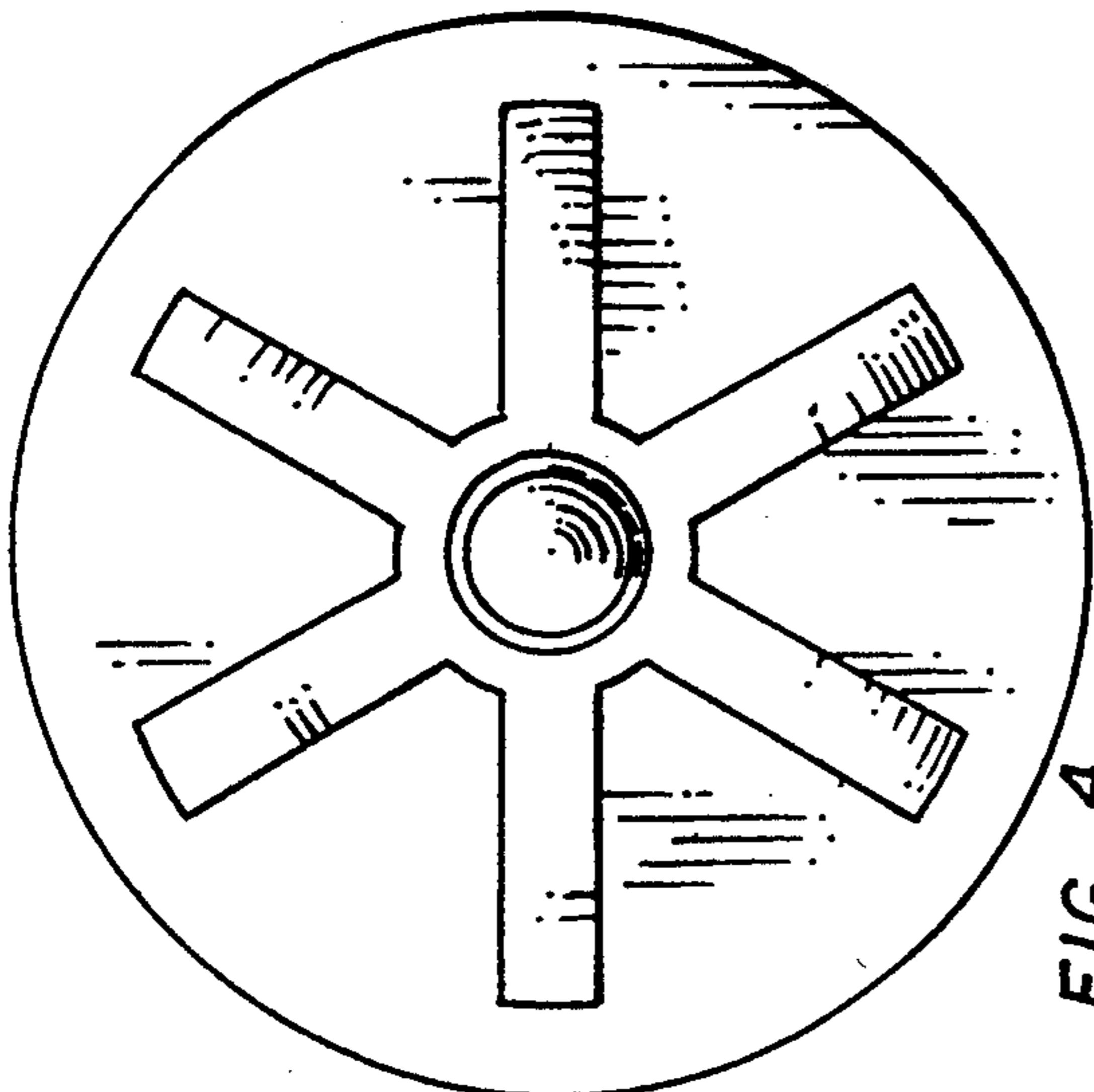


FIG. 4

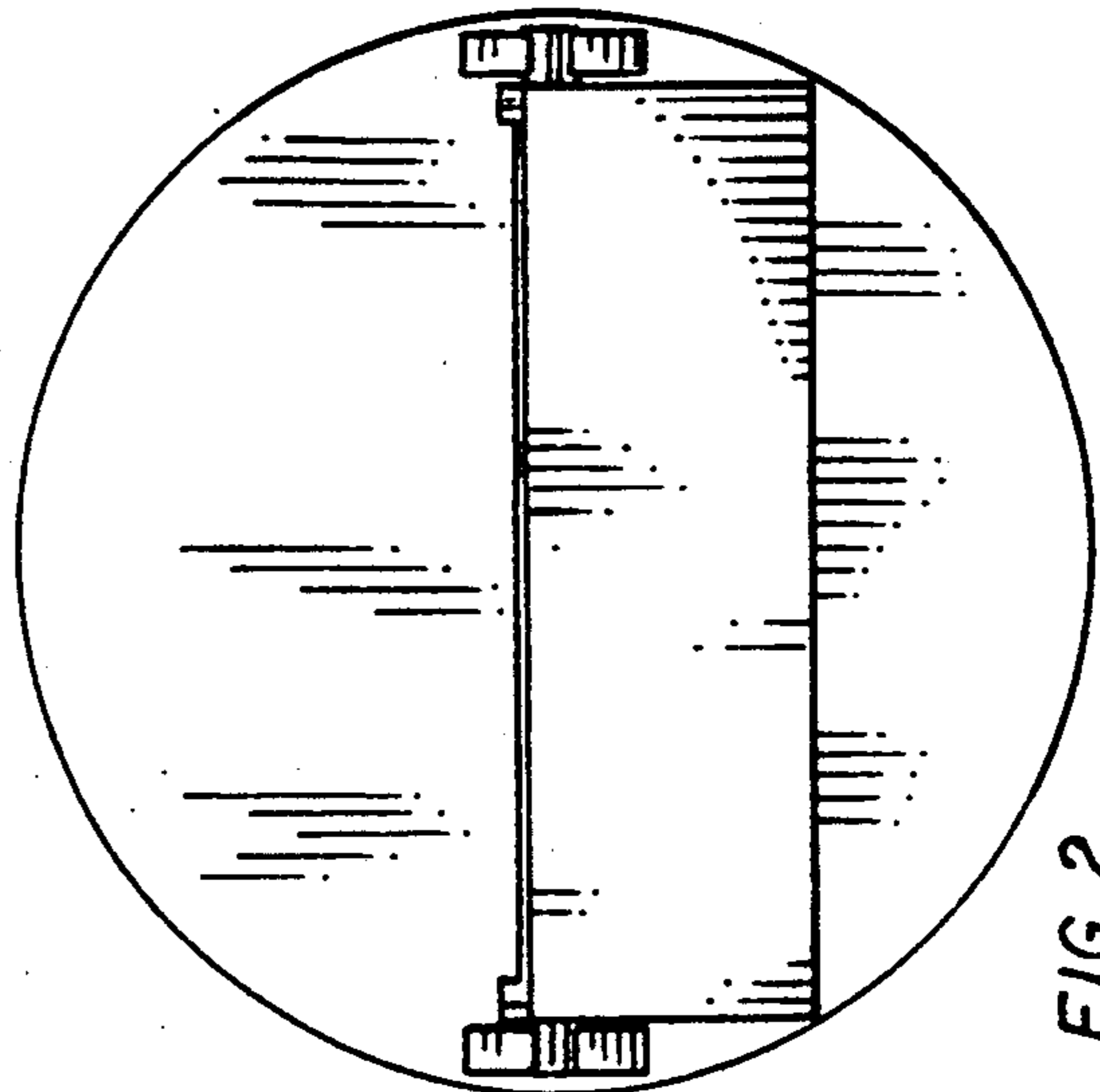


FIG. 2