



US00D362459S

# United States Patent [19]

[11] Patent Number: **Des. 362,459**

Noonan et al.

[45] Date of Patent: **\*\* Sep. 19, 1995**

[54] **TAPE CARTRIDGE FOR DEBOSSMENT STAMPER FOR CHARACTER IMPRESSION**

4,650,355	3/1987	Cassiano et al. ....	400/208
4,738,554	4/1988	Tajima .....	400/208
4,747,711	5/1988	Motta et al. ....	400/208
4,930,911	6/1990	Sampson et al. ....	400/28

[75] Inventors: **Daniel T. Noonan**, Greene, N.Y.; **Roger M. Gray**; **Barry C. Kockler**, both of Lewisville, Tex.; **Gerald D. Perry**, The Colony, Tex.

### FOREIGN PATENT DOCUMENTS

0167596	7/1986	Japan .....	400/208
0291169	10/1986	Japan .....	400/208
0152769	7/1987	Japan .....	400/208
0191180	8/1987	Japan .....	400/208
0211174	9/1987	Japan .....	400/208
4028581	1/1992	Japan .....	400/208

[73] Assignee: **Taurus Impressions, Inc.**, Mountain View, Calif.

[\*] Notice: The portion of the term of this patent subsequent to Jul. 11, 2009 has been disclaimed.

*Primary Examiner*—Cathy Anne MacCormac  
*Attorney, Agent, or Firm*—Skjerven, Morrill, MacPherson, Franklin & Friel

[\*\*] Term: **14 Years**

### [57] CLAIM

[21] Appl. No.: **9,665**

The ornamental design for a tape cartridge for debossment stamper for character impression, as shown and described.

[22] Filed: **Jun. 17, 1993**

[52] U.S. Cl. .... **D18/56**

[58] Field of Search ..... **D18/56; 400/208; 101/27, 29, 336**

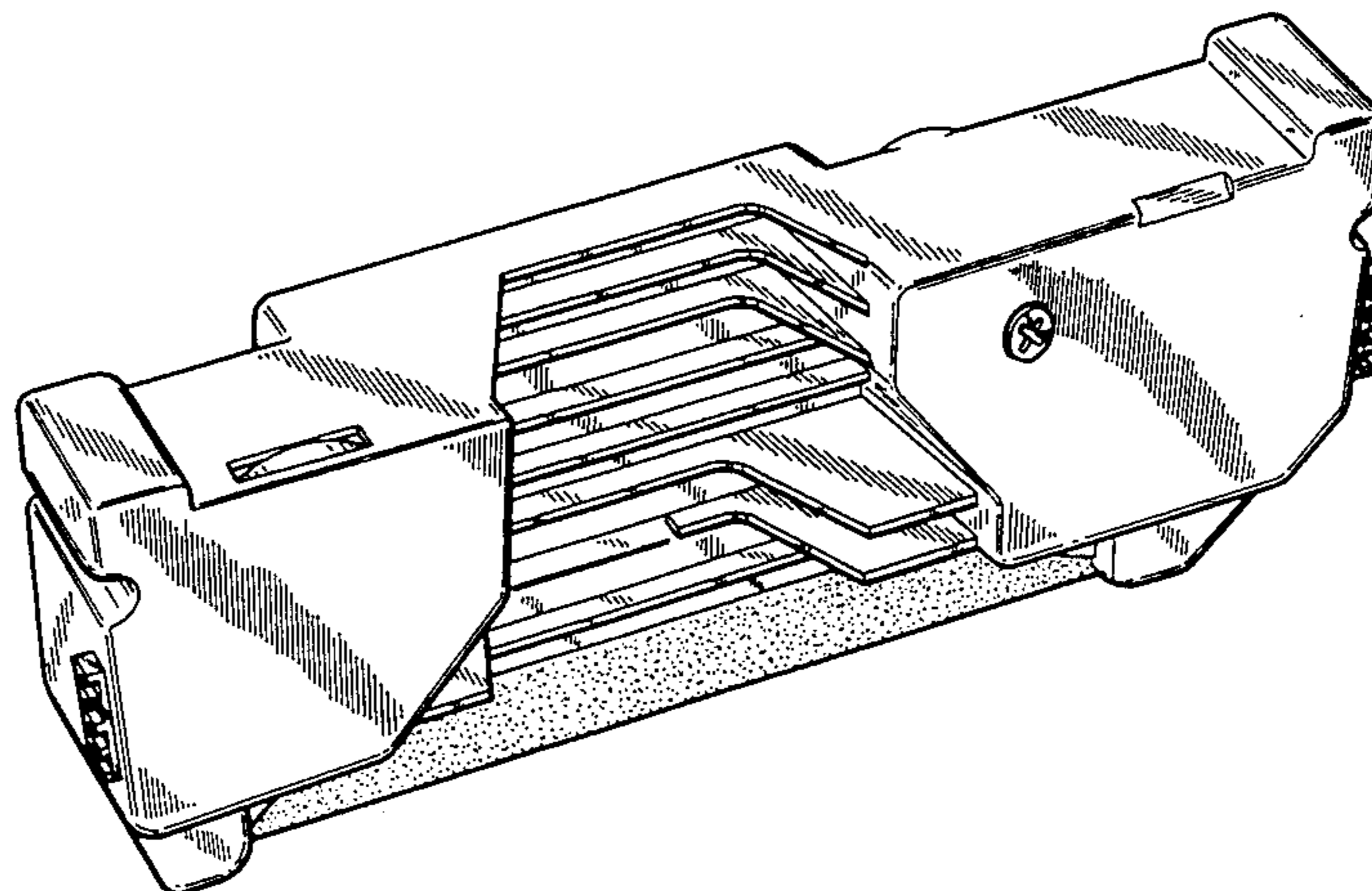
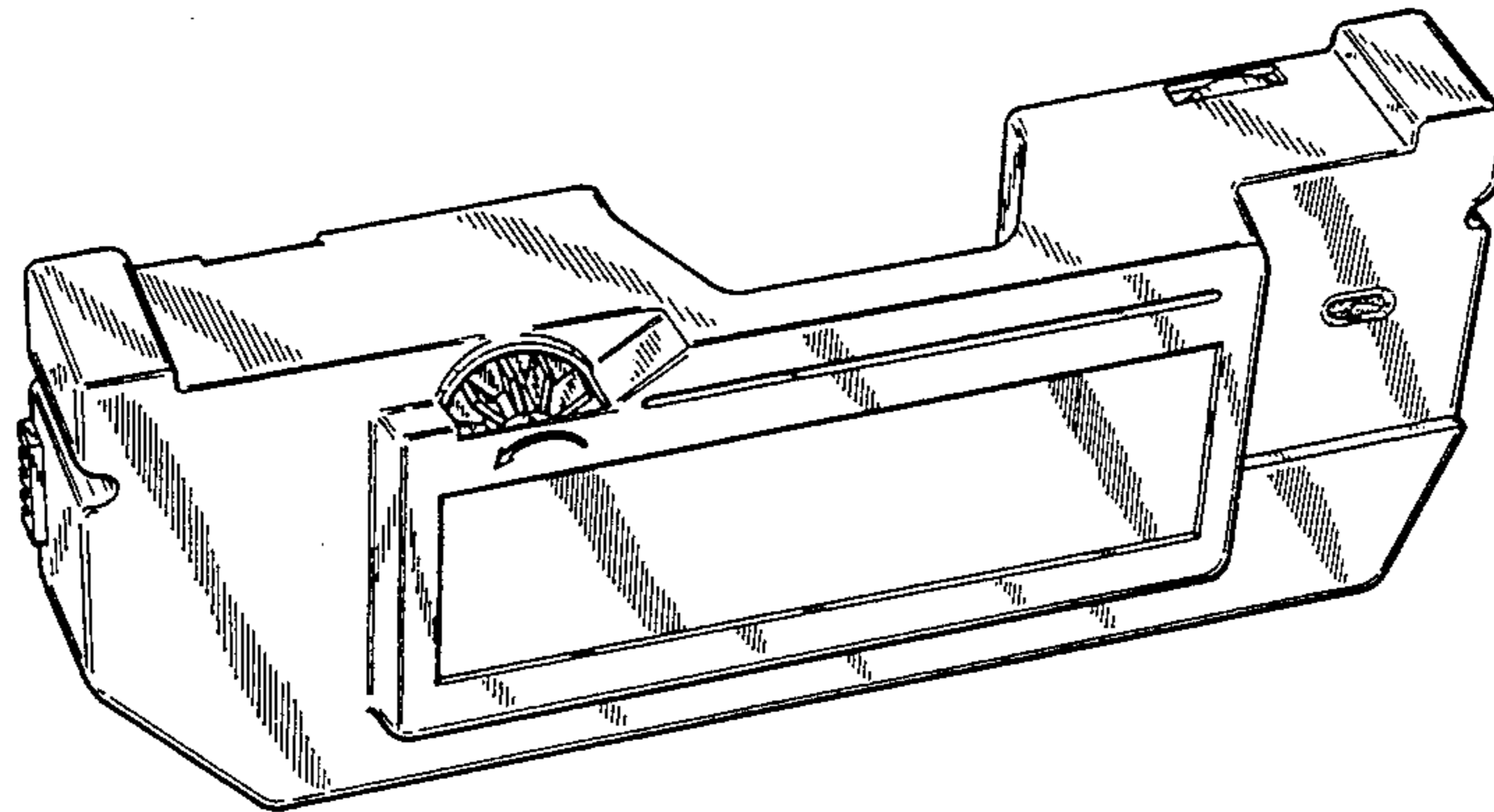
### DESCRIPTION

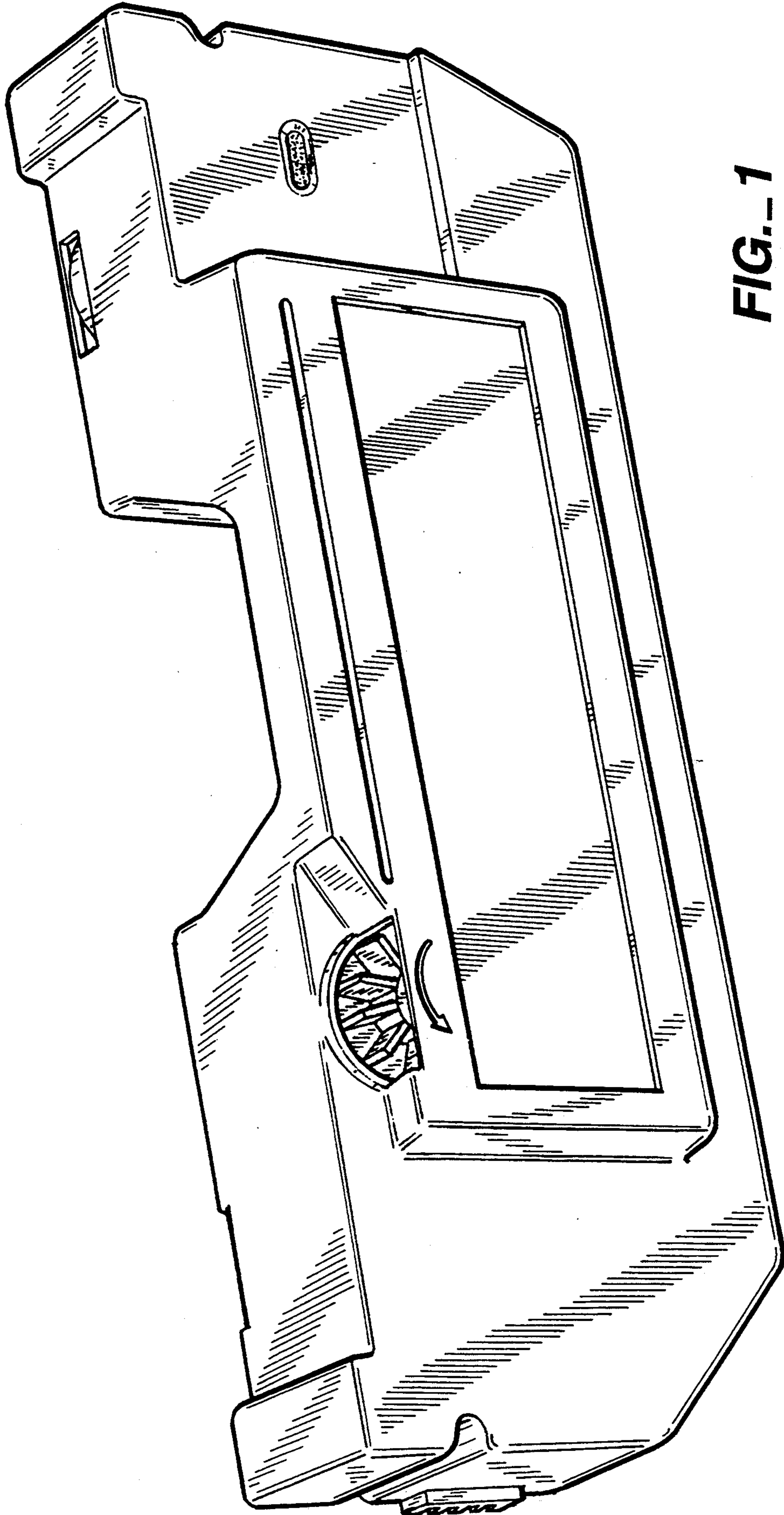
#### [56] References Cited

##### U.S. PATENT DOCUMENTS

D. 280,210	8/1985	Ledoux .....	D18/56
D. 318,682	7/1991	Gokita .....	D18/56
4,264,223	4/1981	Bemis et al. ....	400/208
4,352,575	10/1982	Shore .....	400/208
4,373,436	2/1983	Shenoha .....	101/27
4,388,006	6/1983	Wiabel .....	400/208
4,564,848	1/1984	Kuzumi .....	400/208
4,623,274	11/1986	Ohsaki .....	400/208

FIG. 1 is an upper frontal perspective view of a tape cartridge for debossment stamper for character impression showing our new design; FIG. 2 is an upper rear perspective view thereof; FIG. 3 is a top plan view thereof; FIG. 4 is a front elevation view thereof; FIG. 5 is a left-hand end elevation view thereof; FIG. 6 is a right-hand end elevation view thereof; FIG. 7 is a bottom plan view thereof; and, FIG. 8 is a rear elevation view thereof.





**FIG. 1**

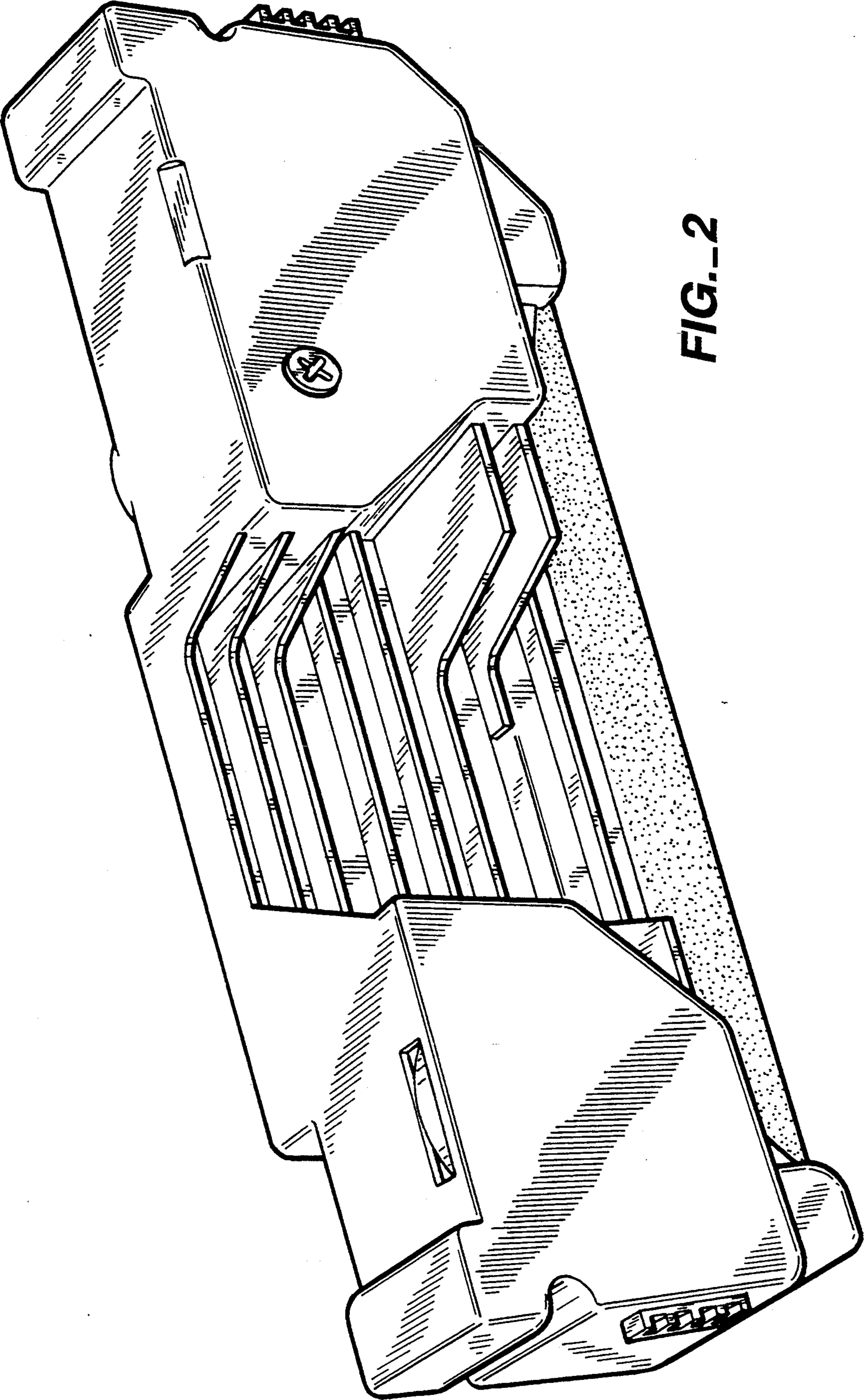
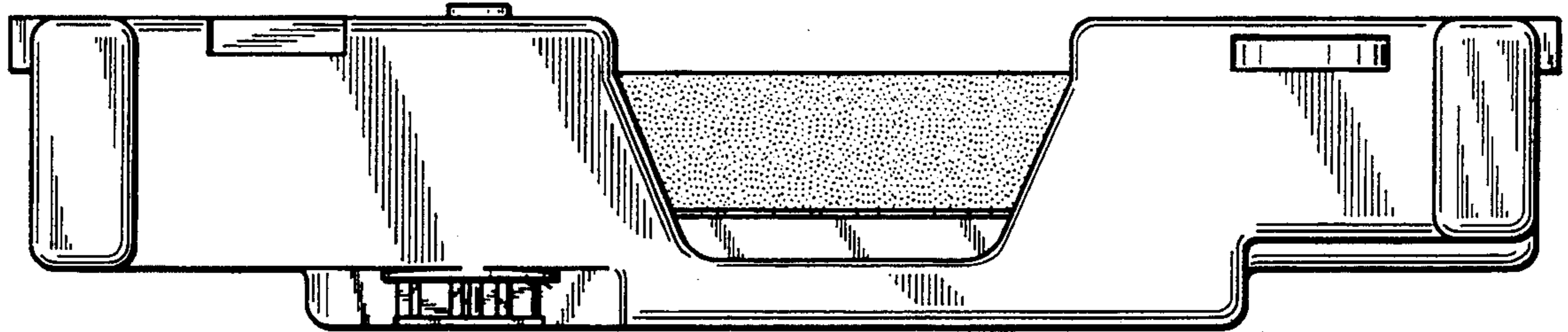
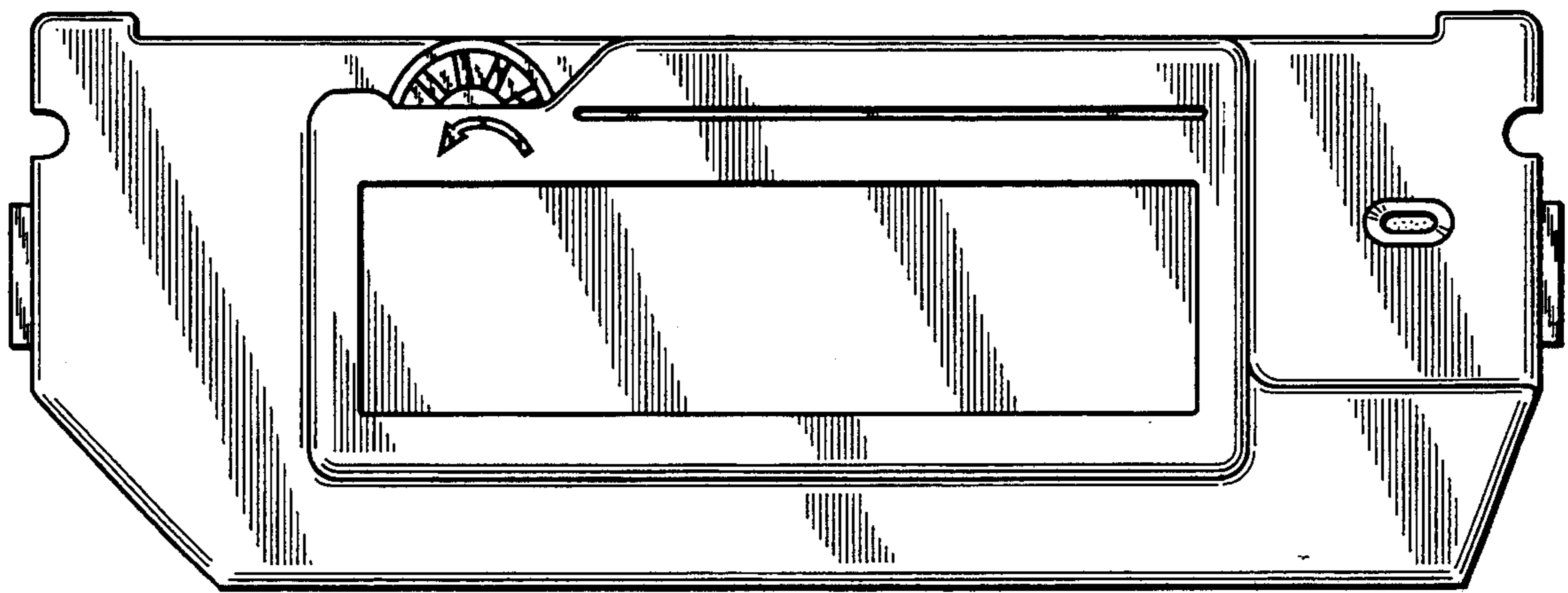


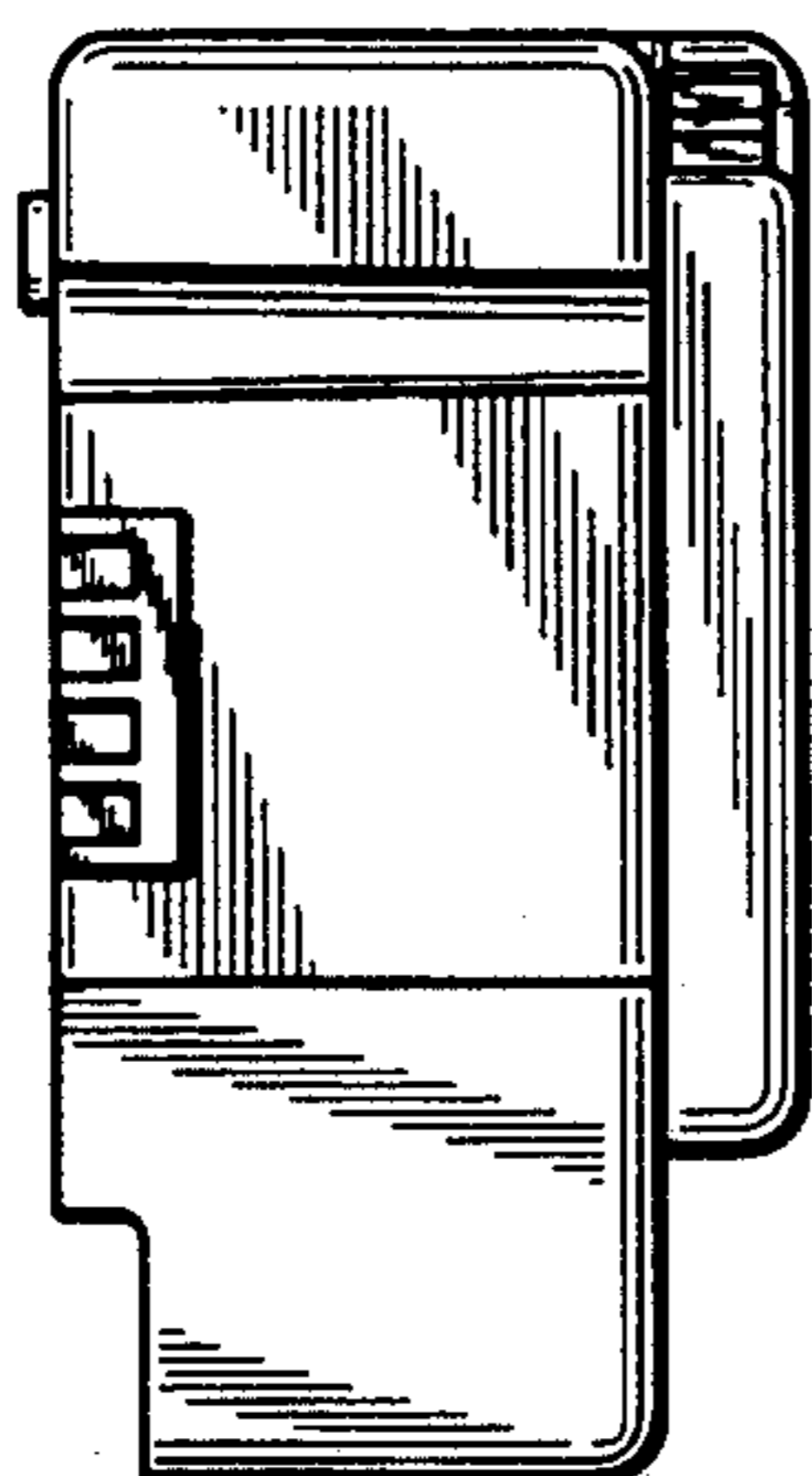
FIG.-2



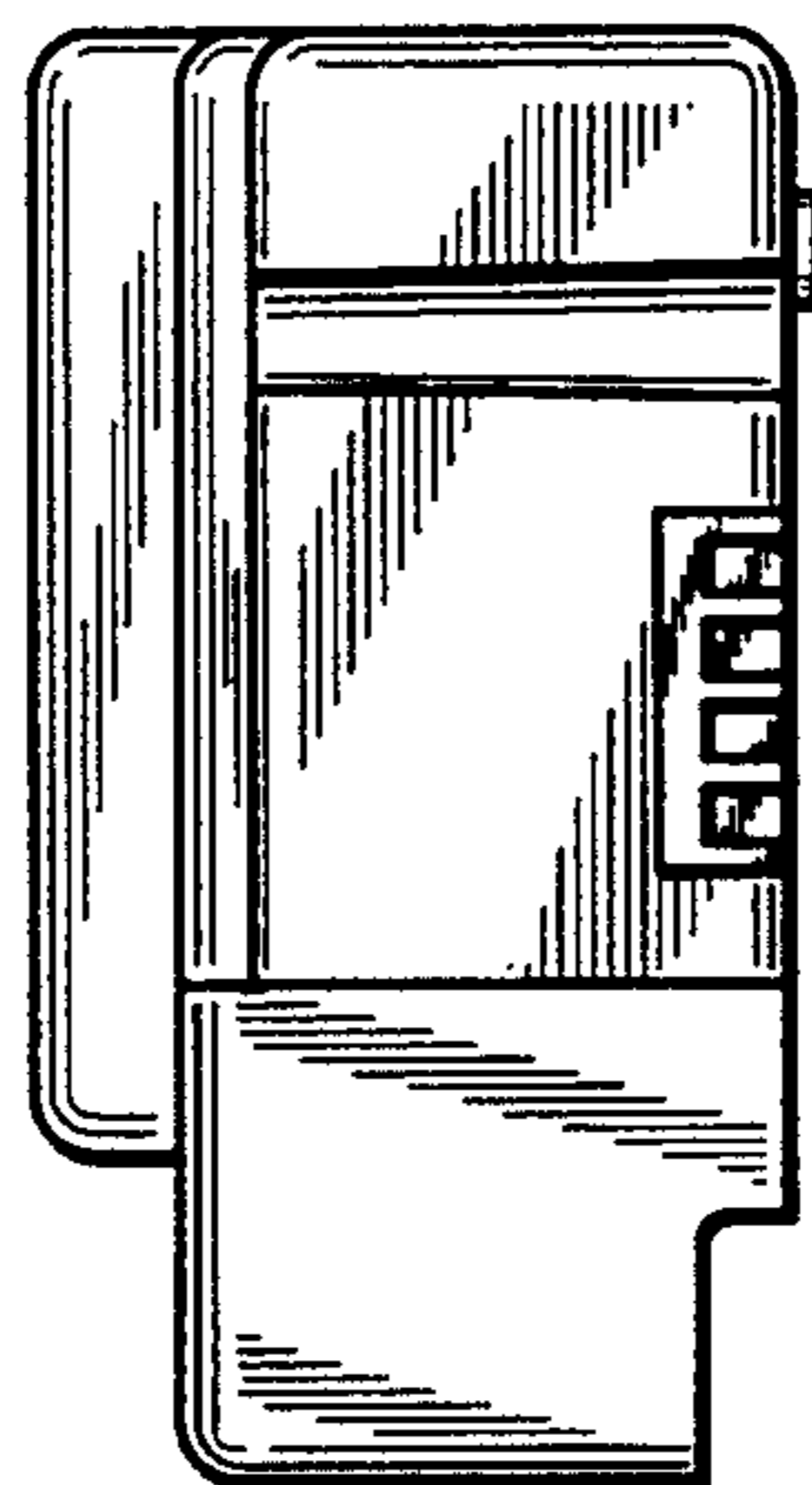
**FIG.\_3**



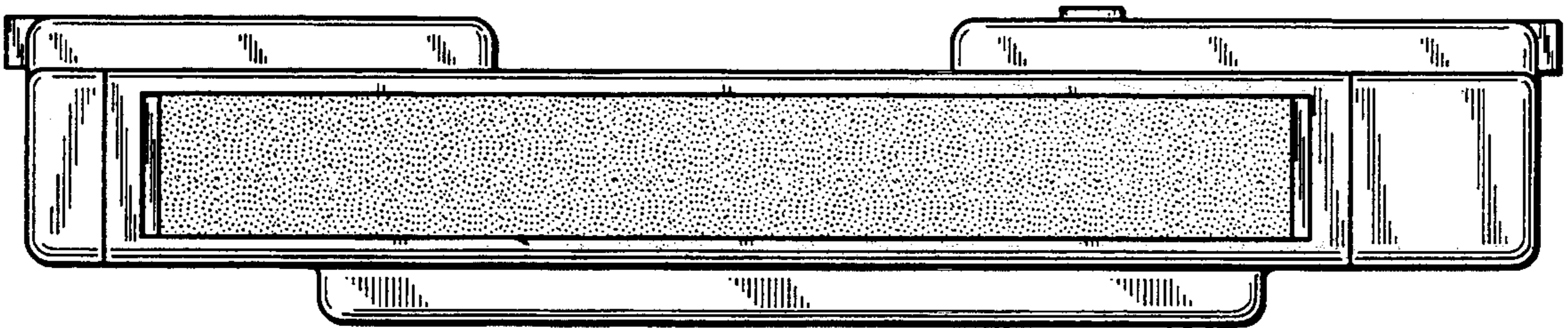
**FIG.\_4**



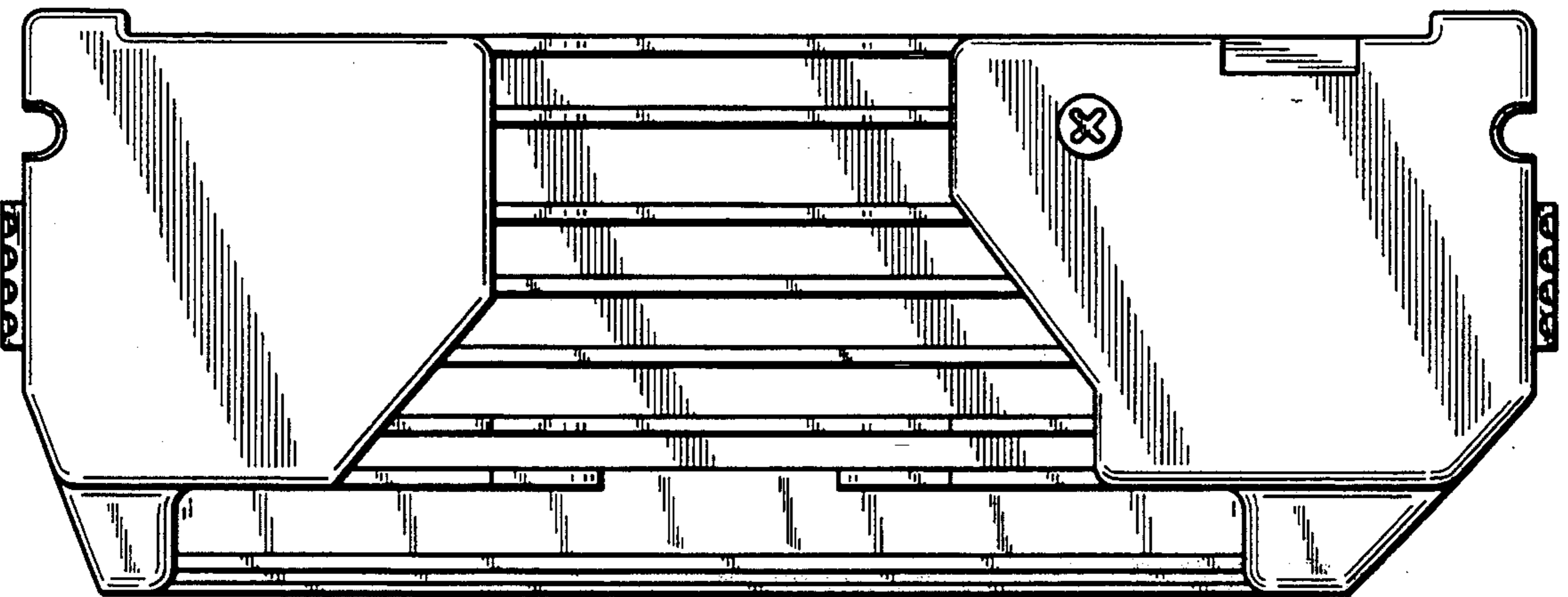
**FIG.\_5**



**FIG.\_6**



**FIG. 7**



**FIG. 8**