



US00D362455S

United States Patent [19]

[11] Patent Number: **Des. 362,455**

Bowers

[45] Date of Patent: **** Sep. 19, 1995**

[54] **STAMP MOUNT**

[76] Inventor: **Barbara Bowers**, 110 Tustin Ct.,
Benicia, Calif. 94510

[**] Term: **14 Years**

[21] Appl. No.: **26,491**

[22] Filed: **Jul. 29, 1994**

[52] U.S. Cl. **D18/18; D18/15**

[58] Field of Search 101/333, 368, 334, 327,
101/405-406, 371-373; D18/15, 17, 18

[56] **References Cited**

U.S. PATENT DOCUMENTS

D. 241,979	10/1976	Funahashi	D18/15
1,420,376	6/1922	Hellesoe	101/368
2,966,116	12/1960	Harris et al.	101/368
4,395,948	8/1983	Monich	101/405
5,191,837	3/1993	Bolton	101/333

FOREIGN PATENT DOCUMENTS

1259312	3/1961	France	101/333
2455989	1/1981	France	101/405
632550	11/1949	United Kingdom	101/405
2045687	11/1980	United Kingdom	101/405

OTHER PUBLICATIONS

Engineered Plastics, Inc. Catalog; Jul. 1987; p. 10 item No. 1059.

J. D. Acrylics Catalog; item No.-271 Window & Counter Shoe Display; item No. 607-Clutch Bag

holder; p. 11 item No. C-Shoe Mirror; p. 14 item No. 760 Easels; p. 31 item No. "Z" table Base.

Primary Examiner—Cathy Anne MacCormac
Attorney, Agent, or Firm—John P. O'Banion

[57] **CLAIM**

The ornamental design for a stamp mount, as shown and described.

DESCRIPTION

FIG. 1 is a perspective view of the stamp mount of the present invention as seen from the right front;

FIG. 2 is a front elevational view of the stamp mount shown in FIG. 1;

FIG. 3 is a rear elevational view of the stamp mount shown in FIG. 1;

FIG. 4 is a top view of the stamp mount shown in FIG. 1;

FIG. 5 is a bottom view of the stamp mount shown in FIG. 1;

FIG. 6 is a right side elevational view of the stamp mount shown in FIG. 1, the left side being a mirror image of the right side;

FIG. 7 is a right front perspective view of a second embodiment thereof; and,

FIG. 8 is a right front perspective view of the stamp mount shown in FIG. 1 in relation to a stamp in phantom.

The broken line representation of the stamp joined to the stamp mount is for purposes of illustration only, and forms no part of the claimed design.

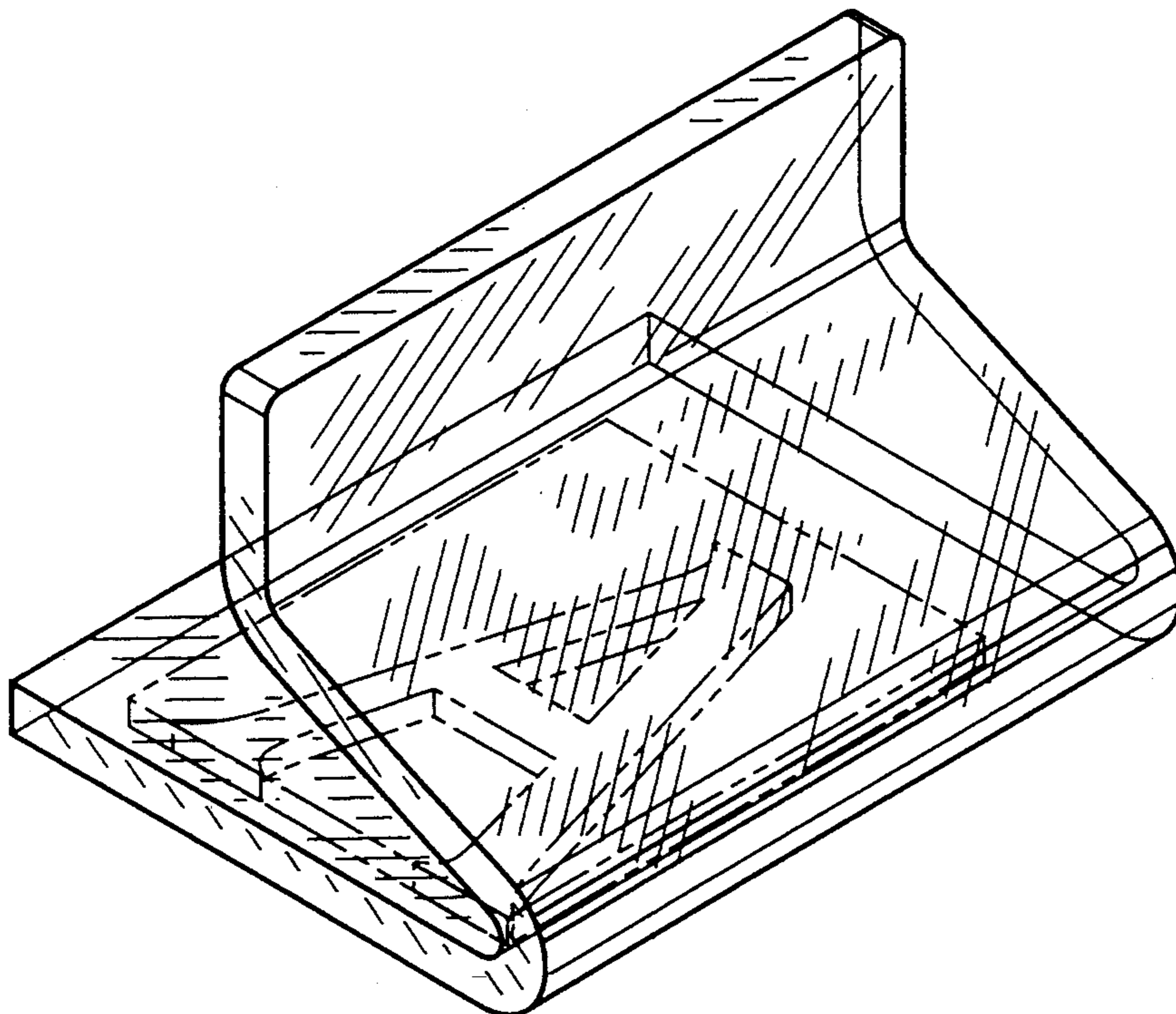


FIG. - 1

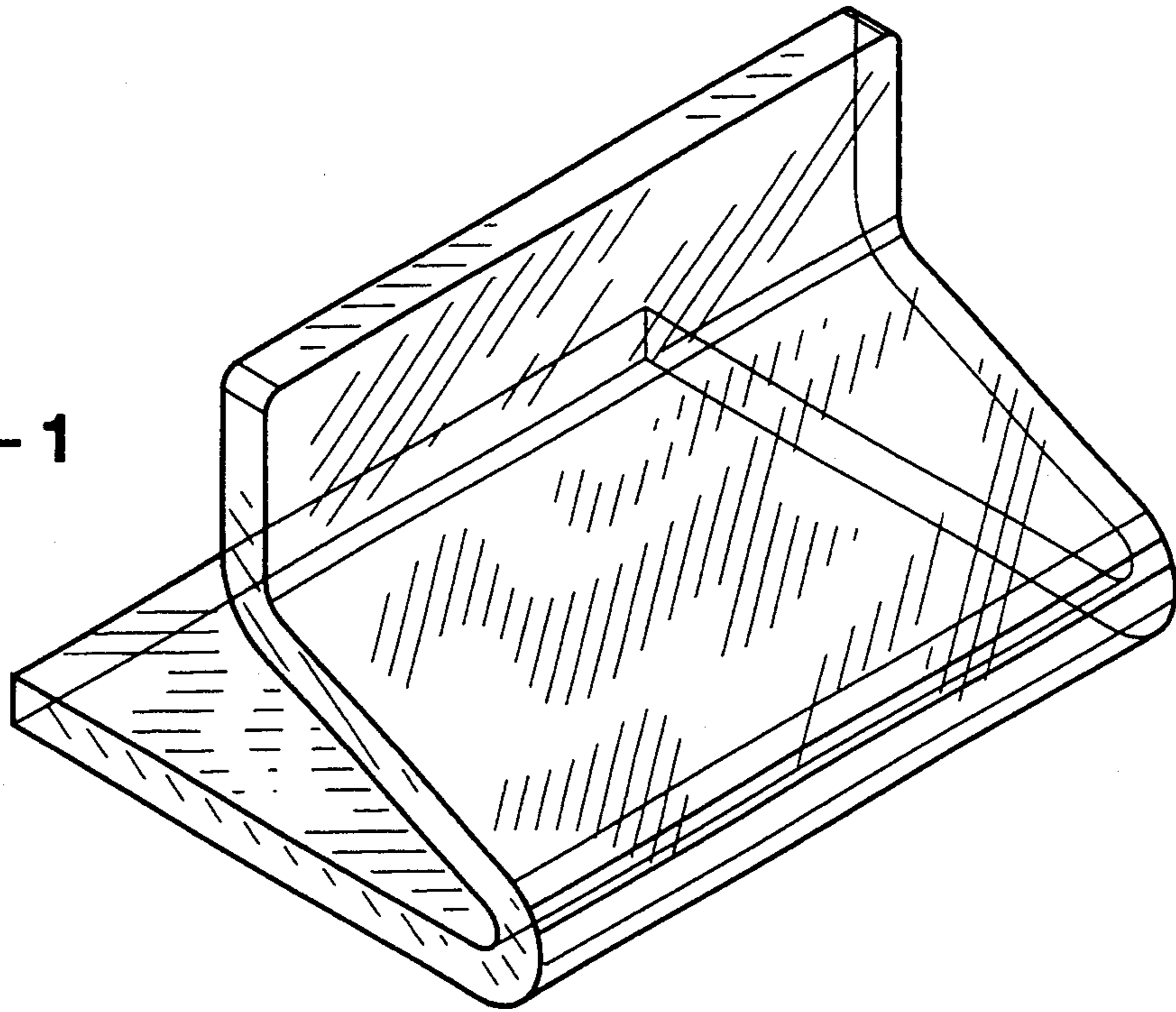


FIG. - 2

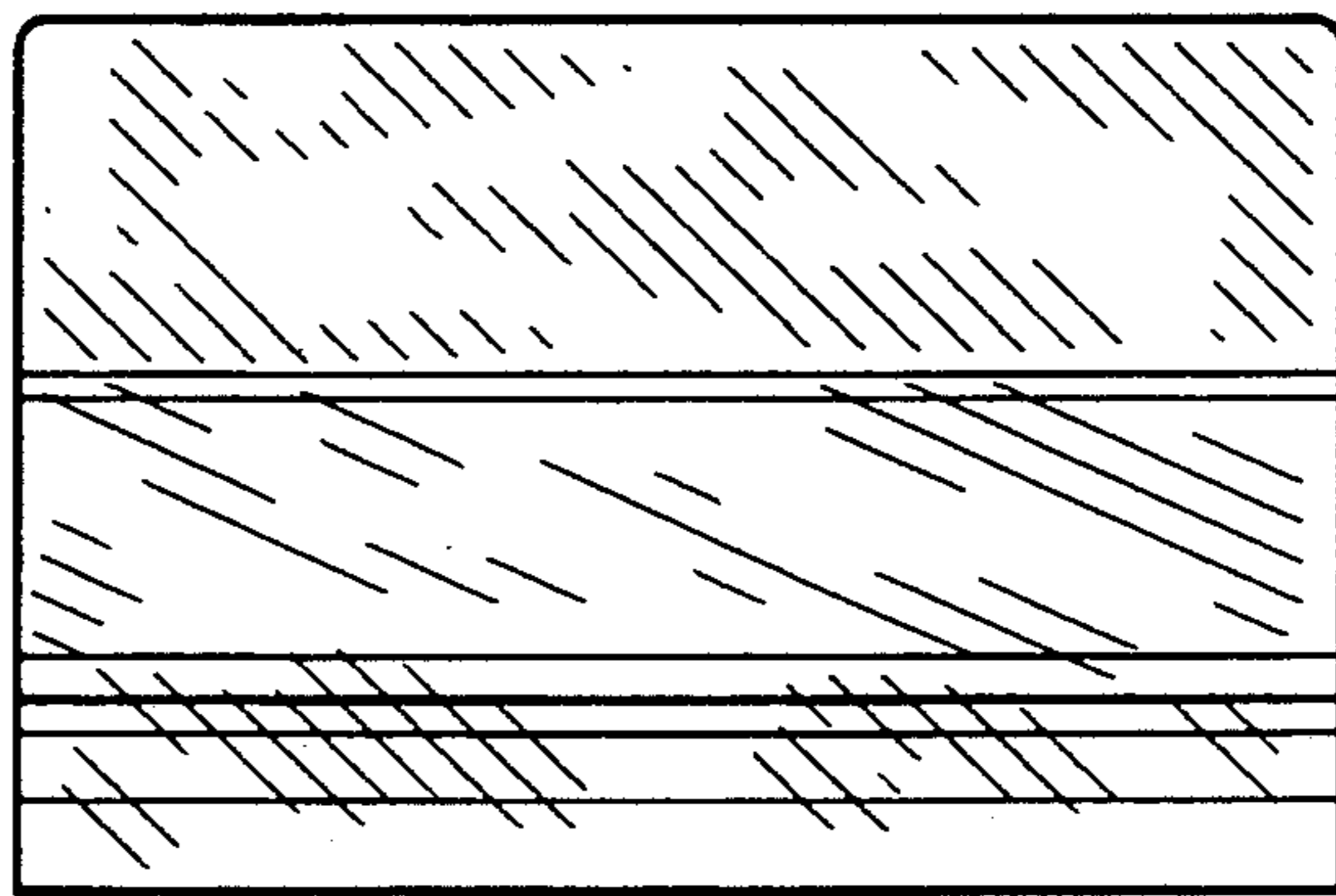


FIG. - 3

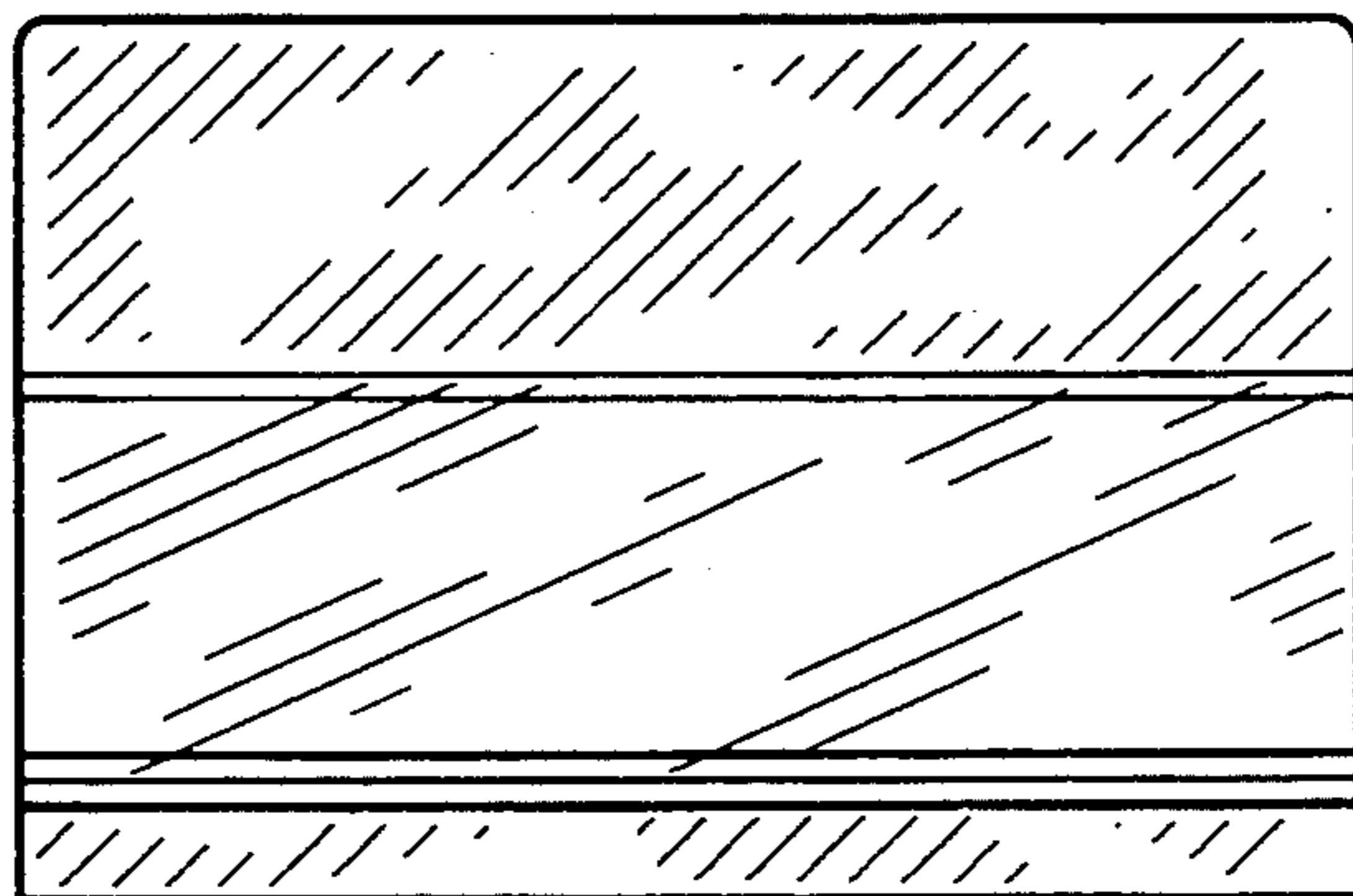


FIG. - 4

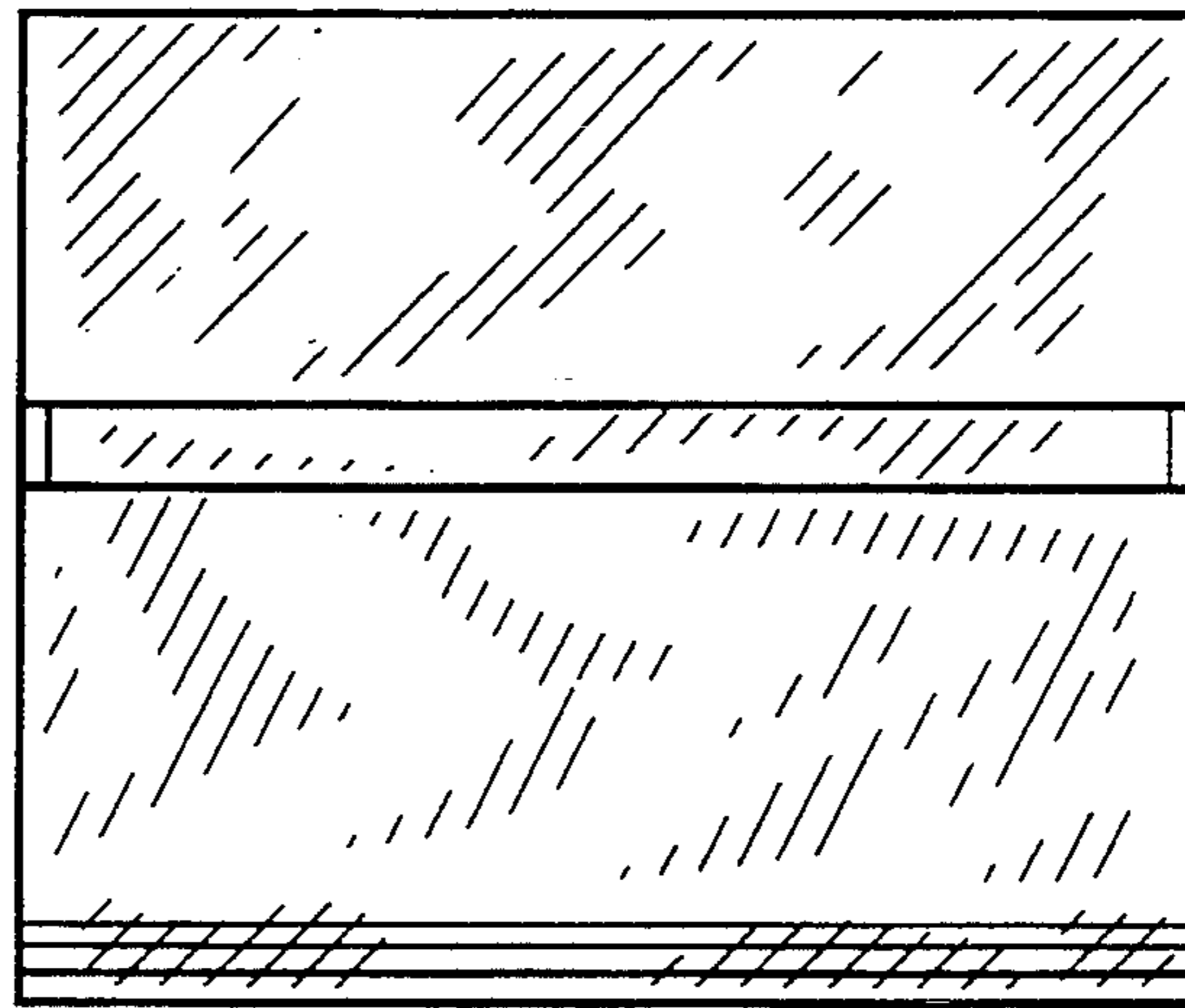


FIG. - 5

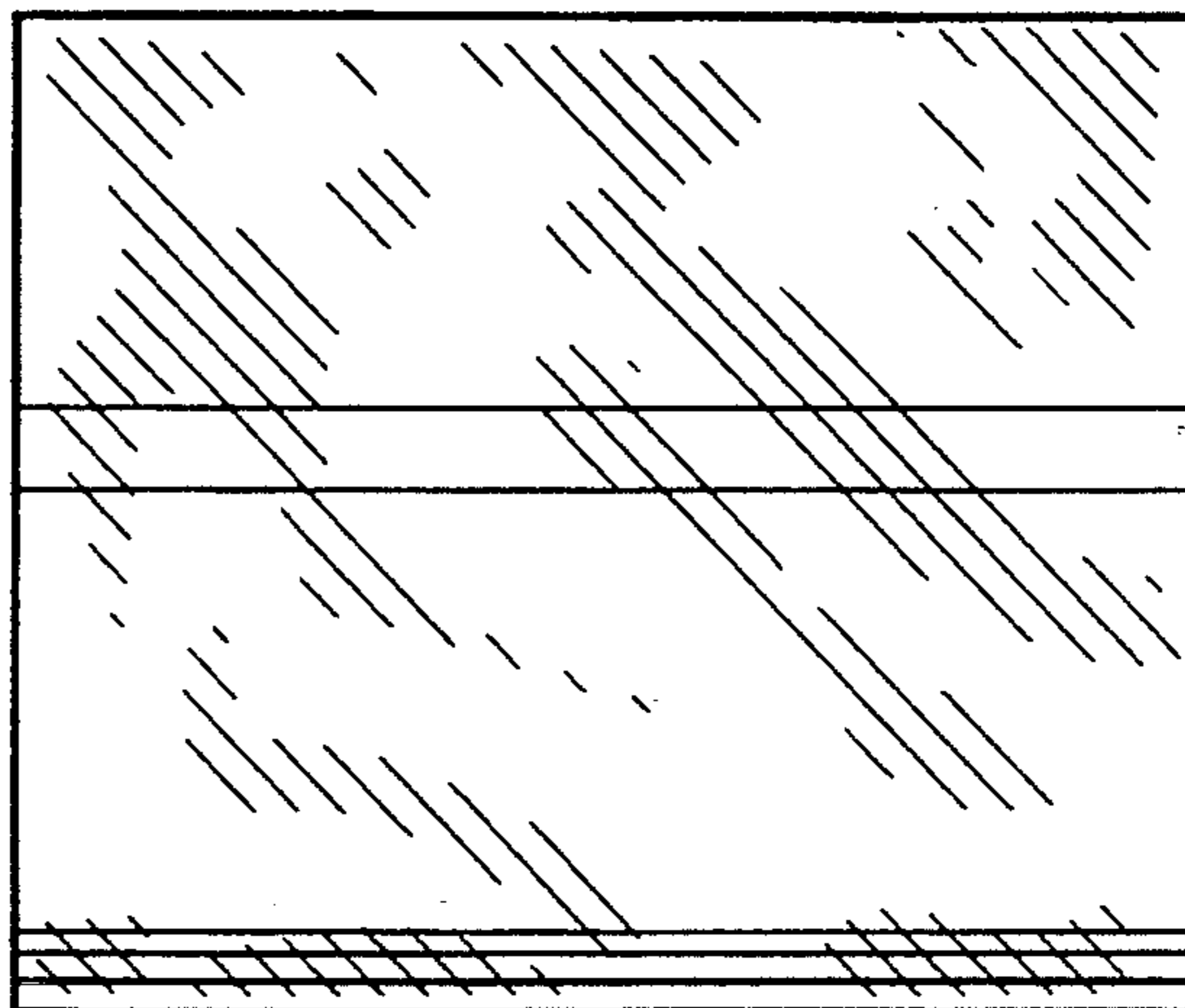


FIG. - 6

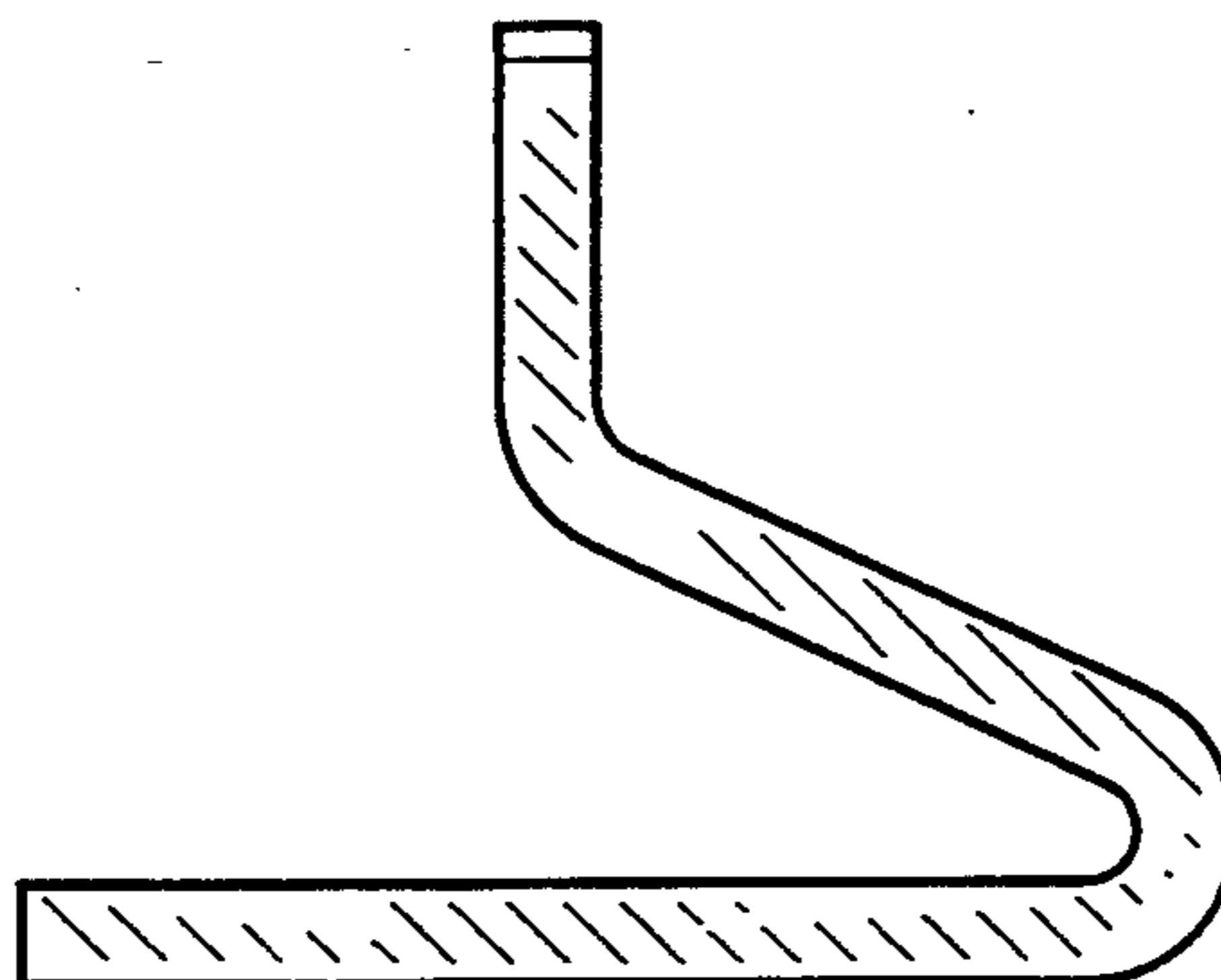


FIG. - 7

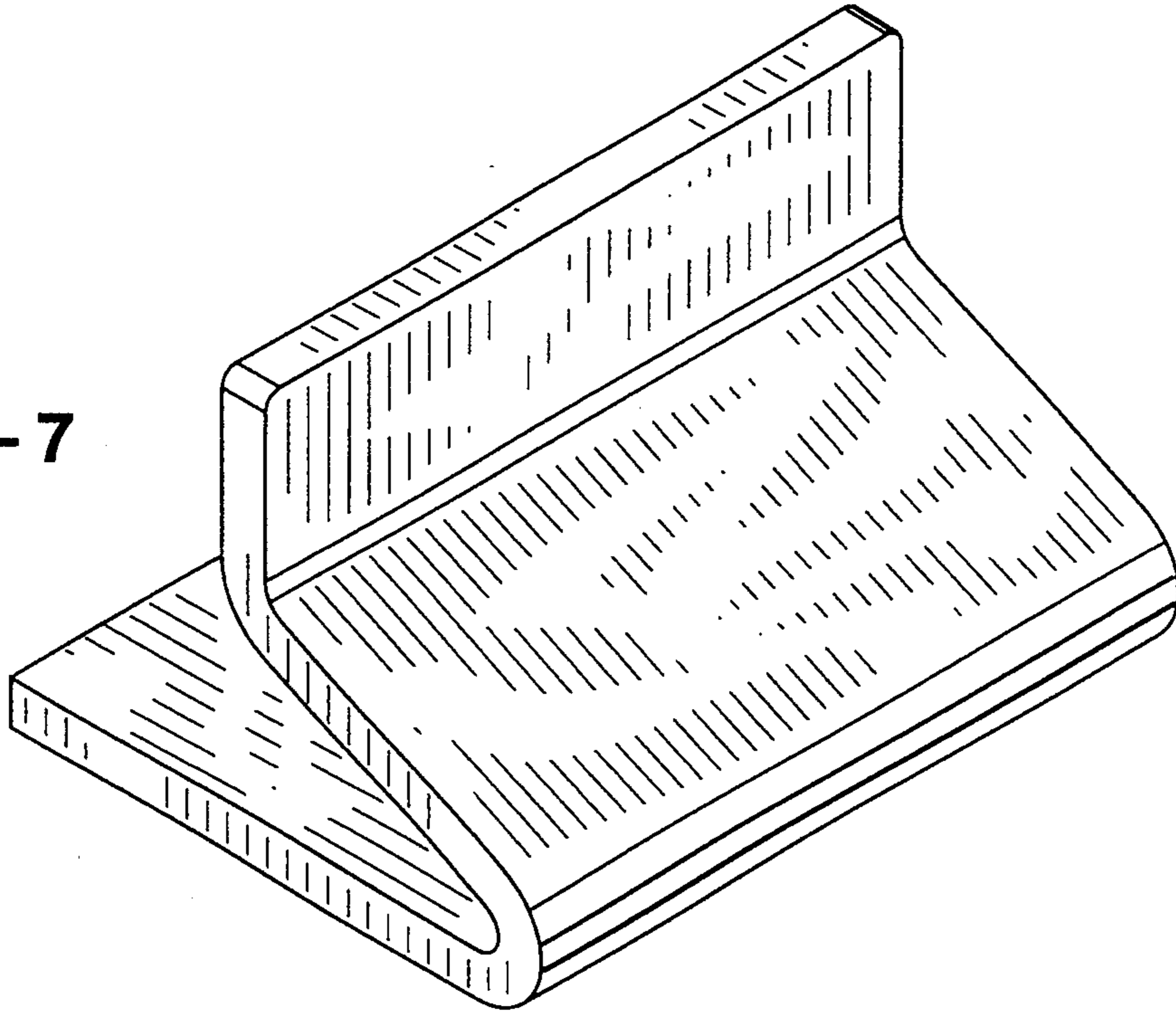


FIG. - 8

