



US00D362454S

United States Patent [19]

[11] Patent Number: **Des. 362,454**

Cipolla et al.

[45] Date of Patent: **** Sep. 19, 1995**

[54] **MOBILE STORAGE UNIT FOR PHOTSENSITIVE PAPER**

[75] Inventors: **Thomas A. Cipolla**, Rochester; **Janis J. Ozols**, Pittsford; **Richard P. Garnsey**, Fairport; **Kathleen L. Myers**; **Howard D. Cook**, both of Rochester; **Andrea J. Tenny**, Brockport; **William S. Raymond**; **Michael L. Lucey**, both of Rochester; **Christopher K. Jestin**, Baldwinsville, all of N.Y.

[73] Assignee: **Eastman Kodak Company**, Rochester, N.Y.

[**] Term: **14 Years**

[21] Appl. No.: **13,742**

[22] Filed: **Sep. 30, 1993**

[52] U.S. Cl. **D16/246; D34/19**

[58] Field of Search **D16/237, 246, 250; D18/44; D34/14, 19; 220/908, 315**

[56] **References Cited**

U.S. PATENT DOCUMENTS

D. 205,523	8/1966	Doman	D34/19
D. 214,163	5/1969	Smith et al.	D34/19
D. 276,052	10/1984	Wedel et al.	D16/246
D. 326,198	5/1992	Pacetti et al.	D34/19
3,315,910	4/1967	Galley et al.	242/71.1
4,024,107	8/1977	Kendig	206/306
4,456,141	6/1984	Pamment	220/908

4,597,658	7/1986	Buelens et al.	354/275
4,632,326	12/1986	Boote et al.	242/55.3
4,682,741	7/1987	Honegger	242/55
4,714,210	12/1987	Howell	242/55.3
4,741,439	5/1988	Bizic	206/316
4,760,915	8/1988	Boets et al.	206/303
5,053,795	10/1991	Wyman	354/275
5,163,556	11/1992	Akao et al.	206/394
5,165,542	11/1992	Sommerfeldt et al.	206/394

FOREIGN PATENT DOCUMENTS

1201622	7/1959	France	206/316.1
---------	--------	--------	-------	-----------

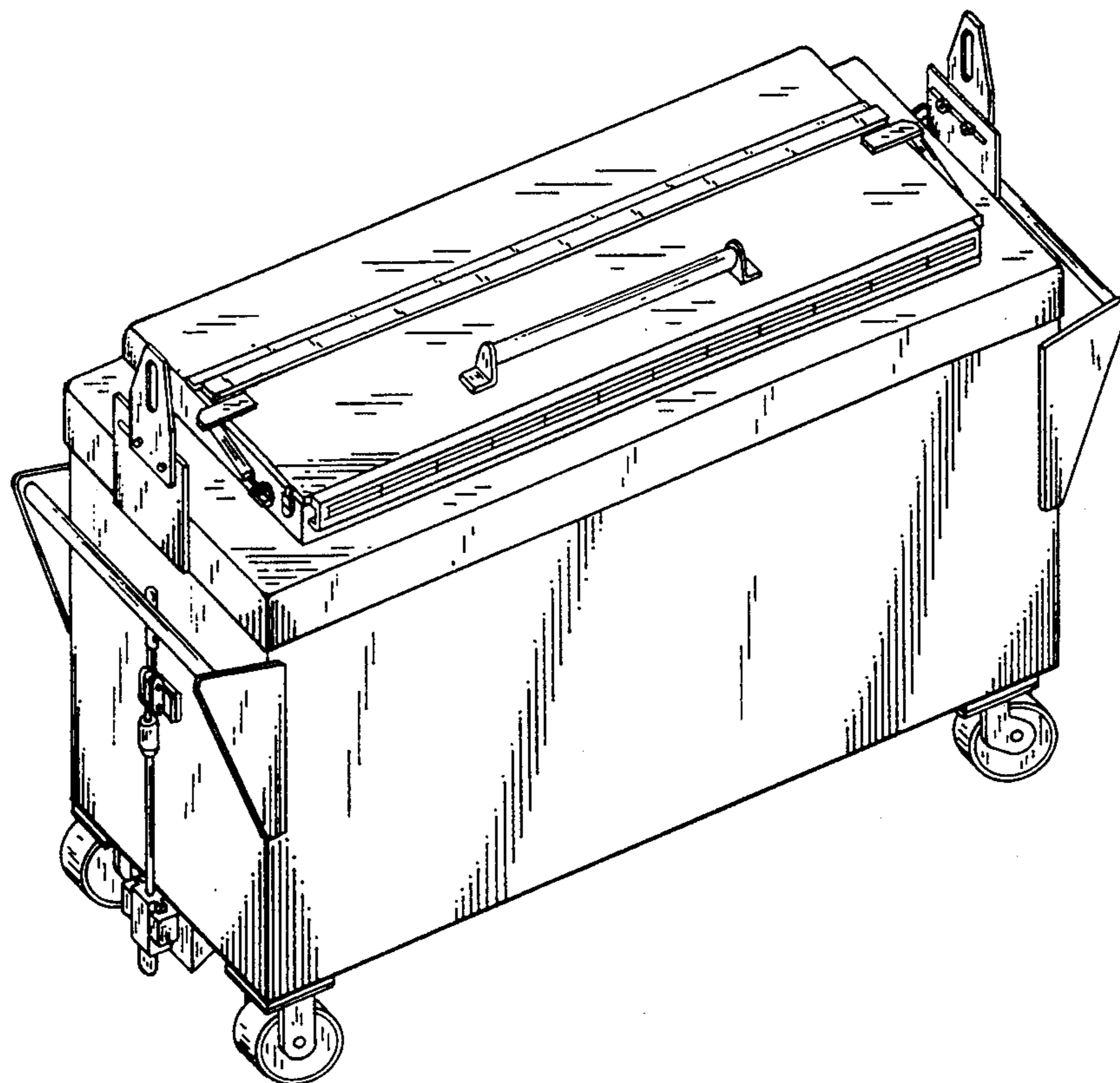
Primary Examiner—Prabhakar G. Deshmukh
Assistant Examiner—Adir Aronovich
Attorney, Agent, or Firm—Clyde E. Bailey; Carl F. Ruoff

[57] **CLAIM**

The ornamental design for a mobile storage unit for photosensitive paper, as shown and described.

DESCRIPTION

FIG. 1 is a perspective view of the mobile storage unit for photosensitive paper showing our new design; FIG. 2 is an enlarged front elevation view thereof; FIG. 3 is a rear elevation view thereof; FIG. 4 is a bottom plan view thereof; FIG. 5 is a right side elevation view thereof; FIG. 6 is a left side elevation view thereof; FIG. 7 is a top plan view thereof; and, FIG. 8 is a top plan view of the cover member, the storage housing omitted for ease of illustration.



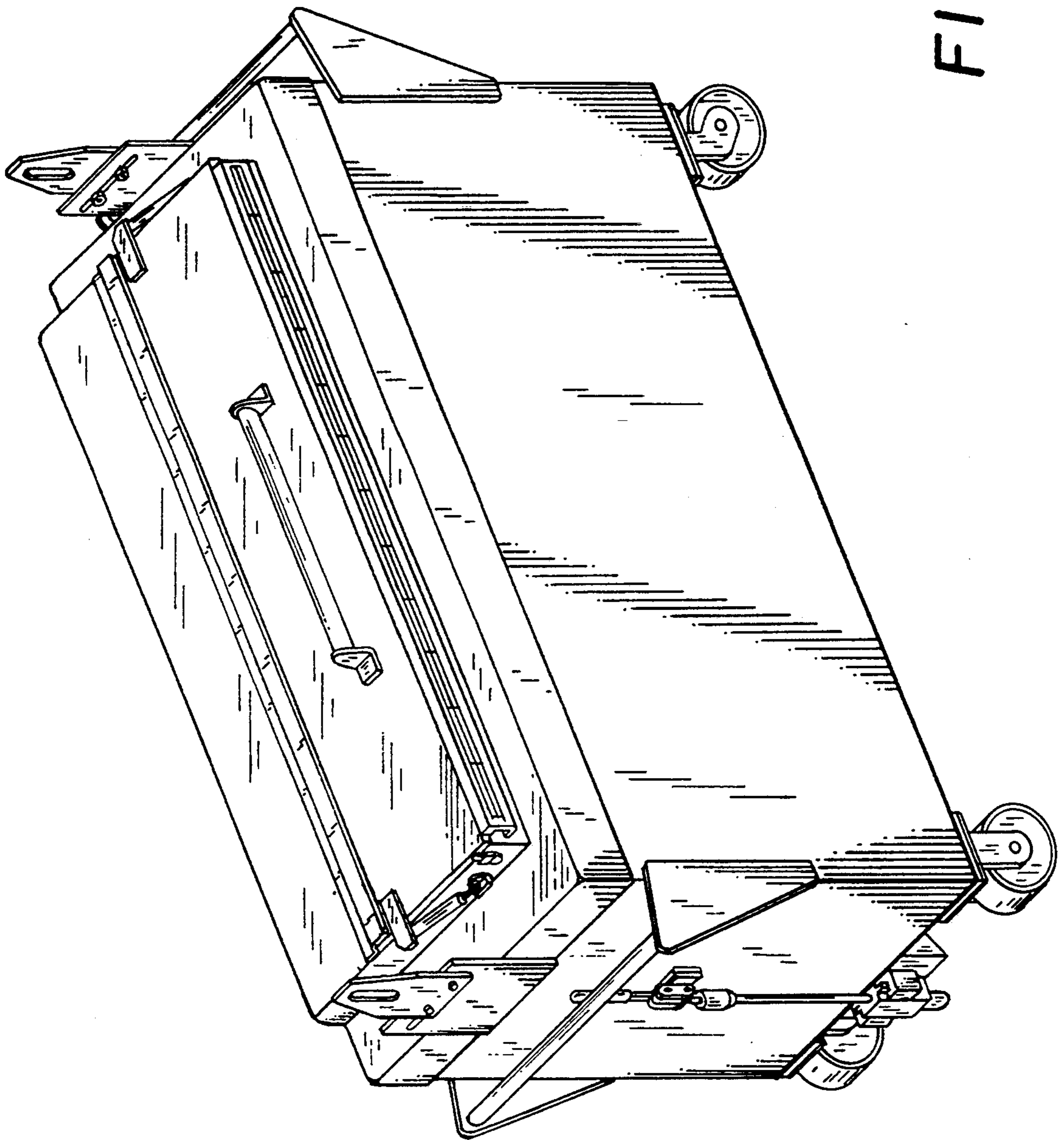
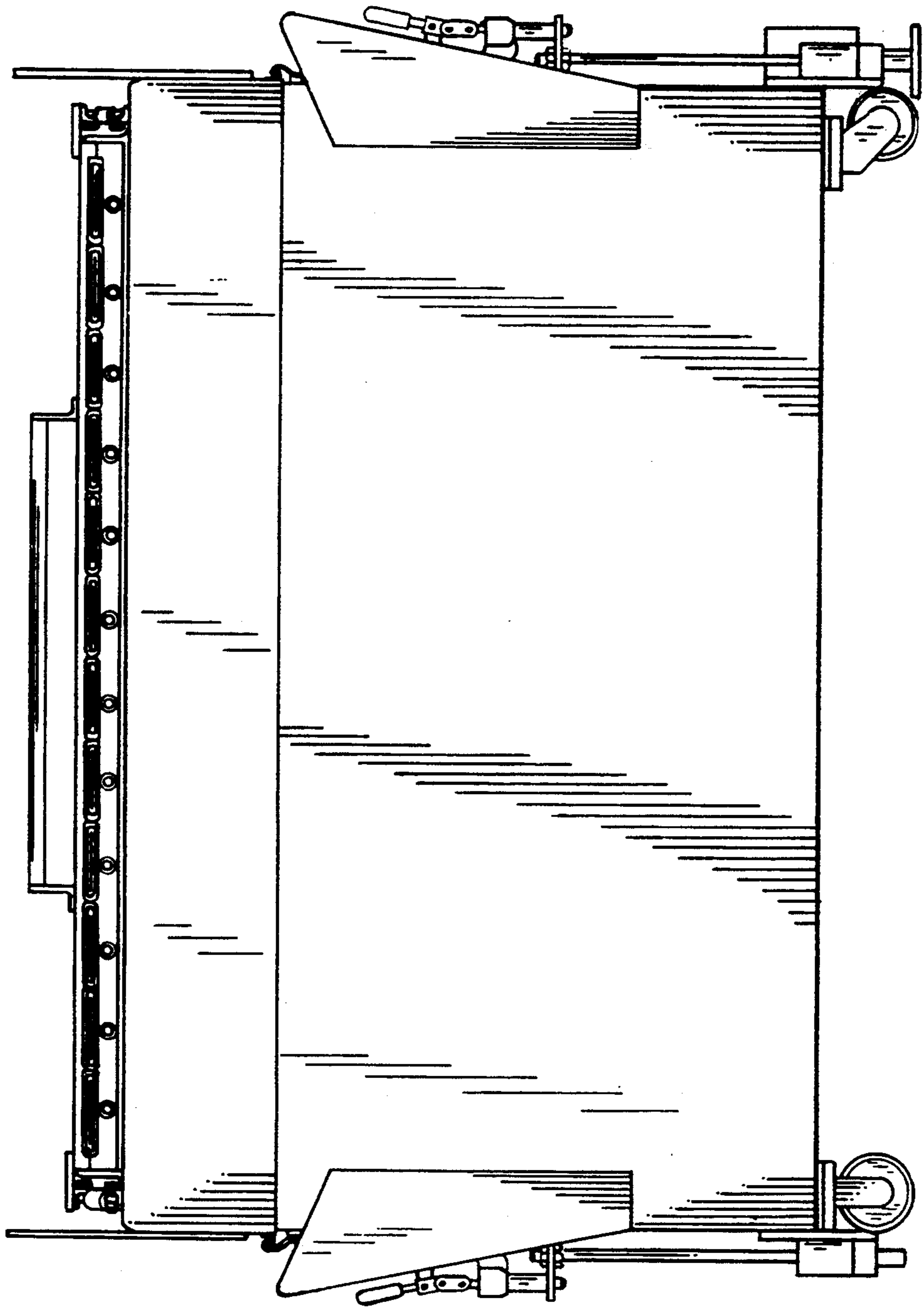


FIG. 1

FIG. 2



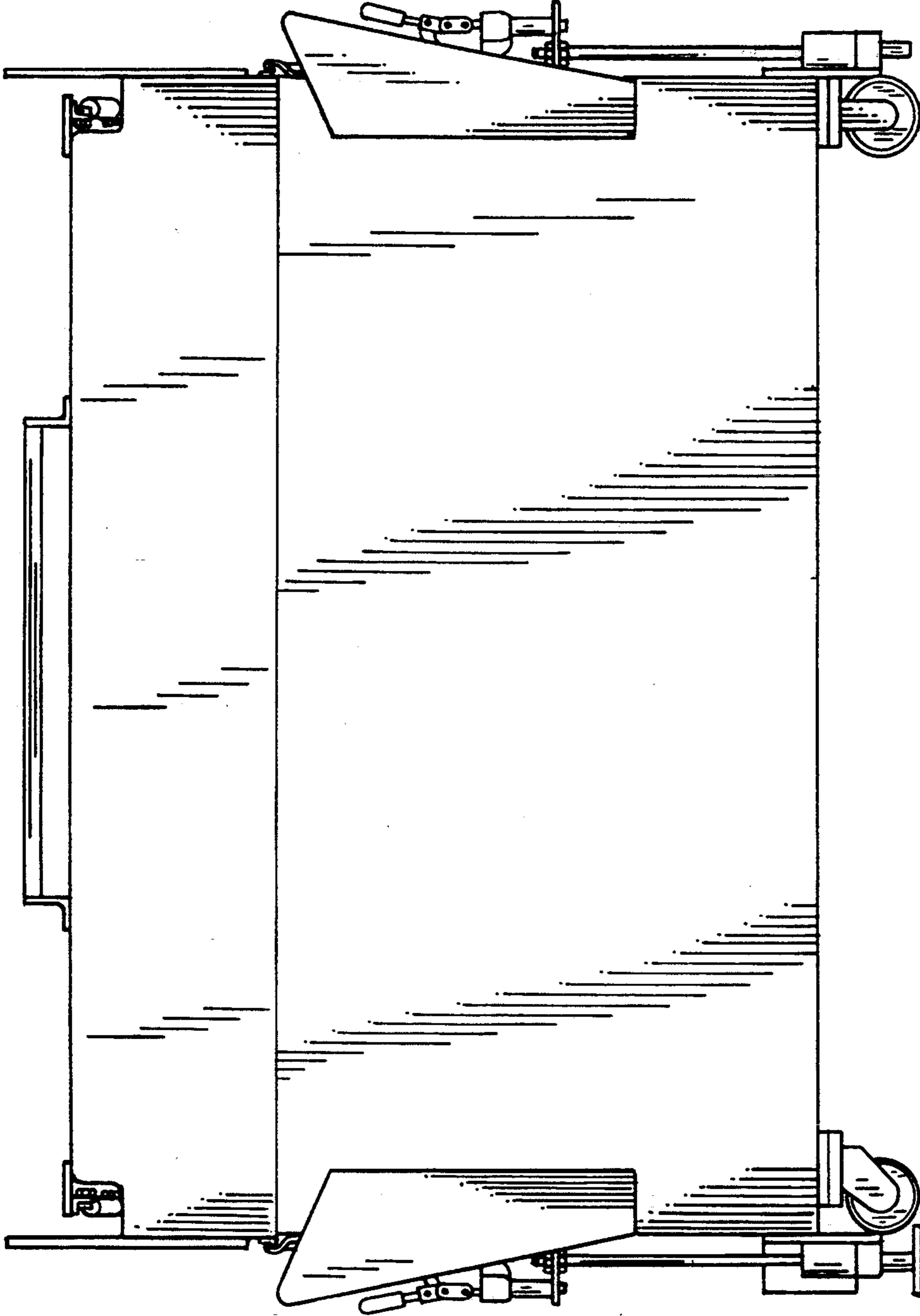


FIG. 3

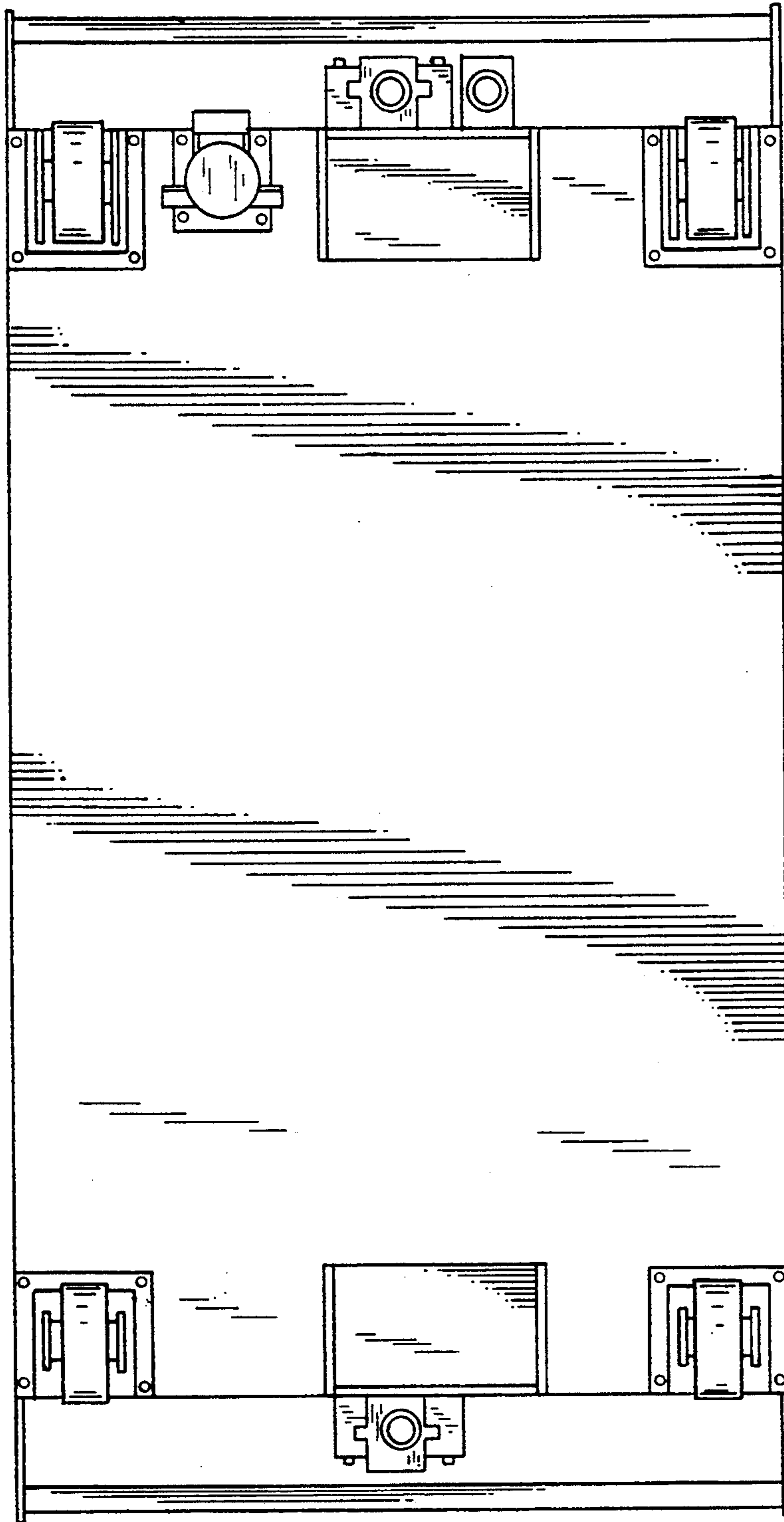


FIG. 4

FIG. 5

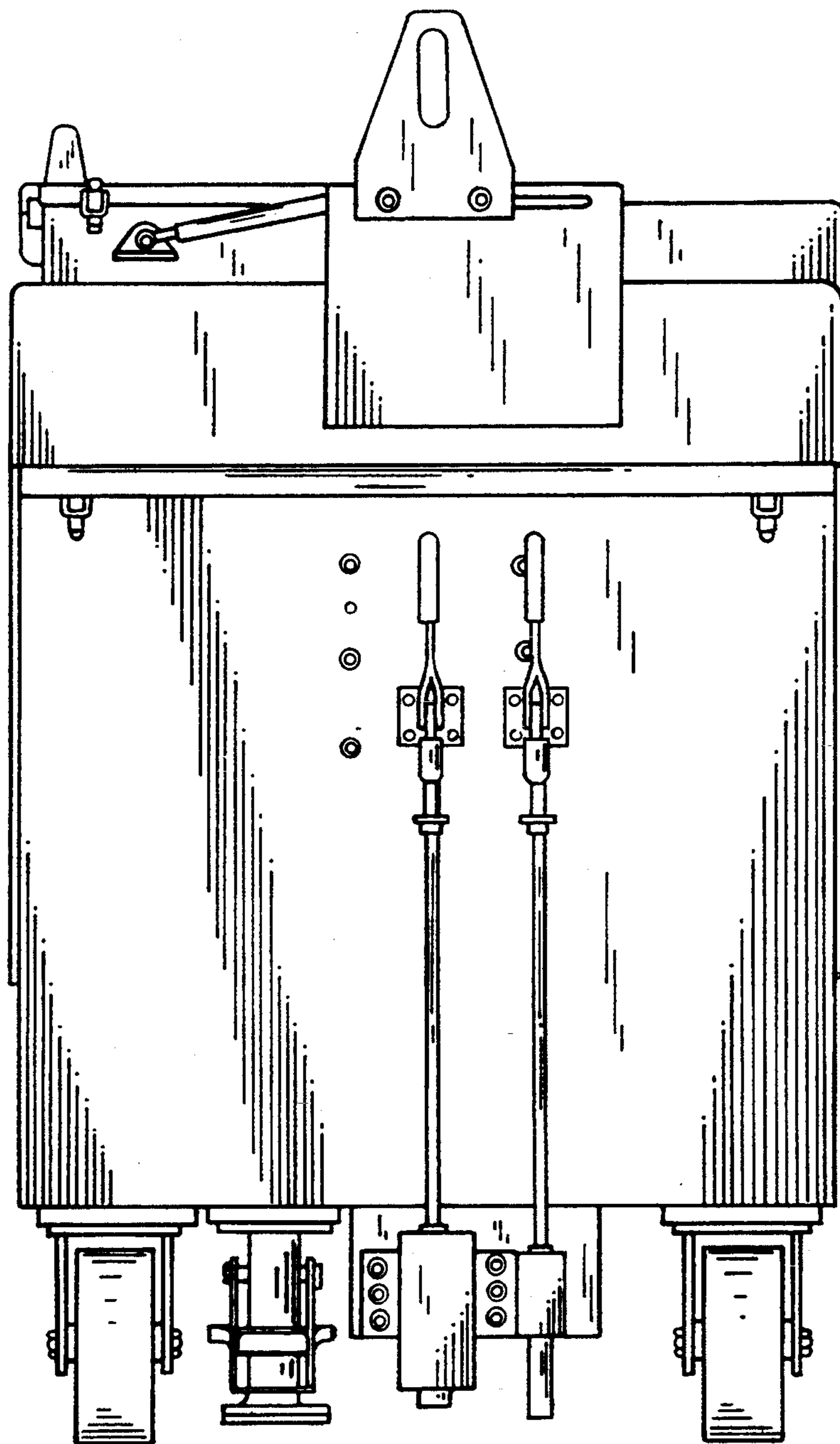
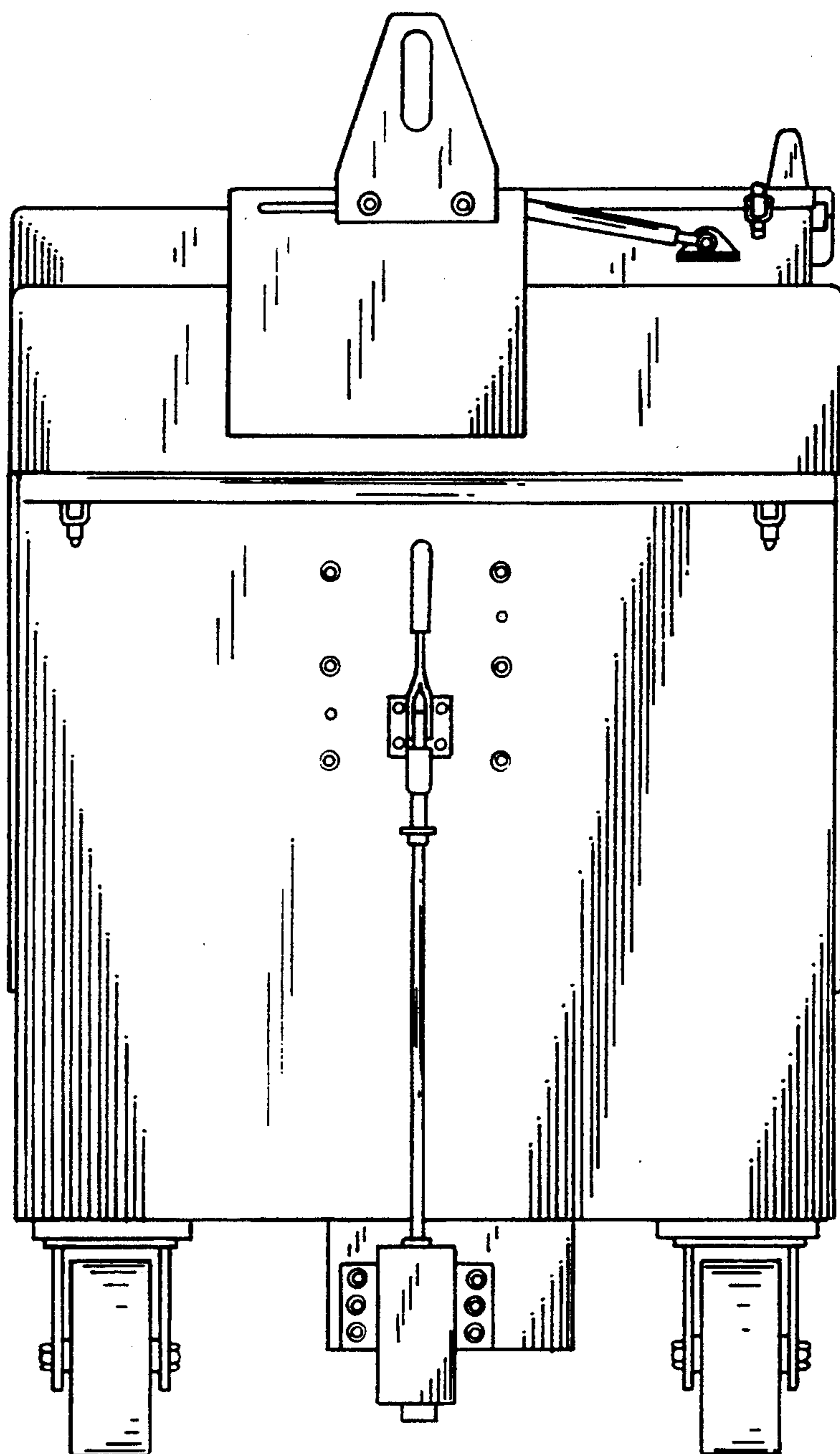


FIG. 6



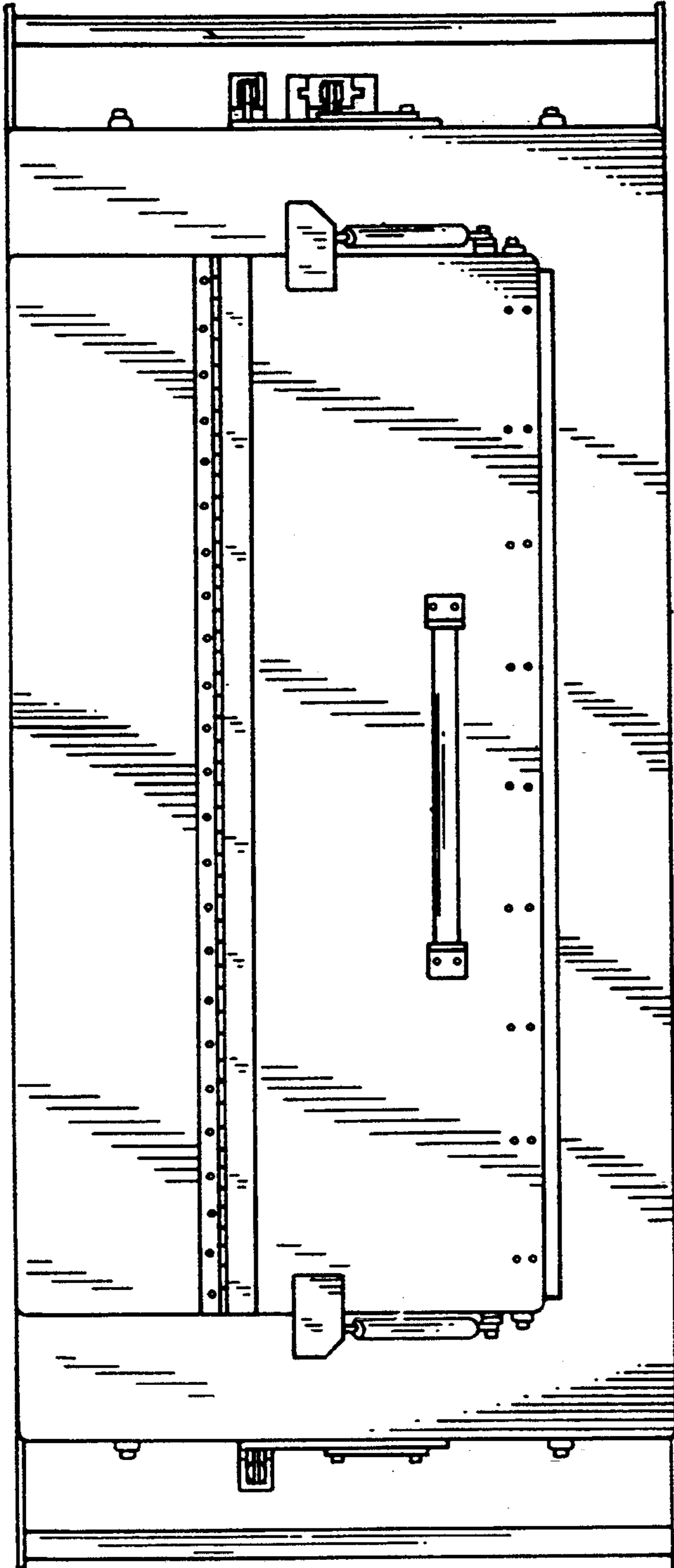


FIG. 7

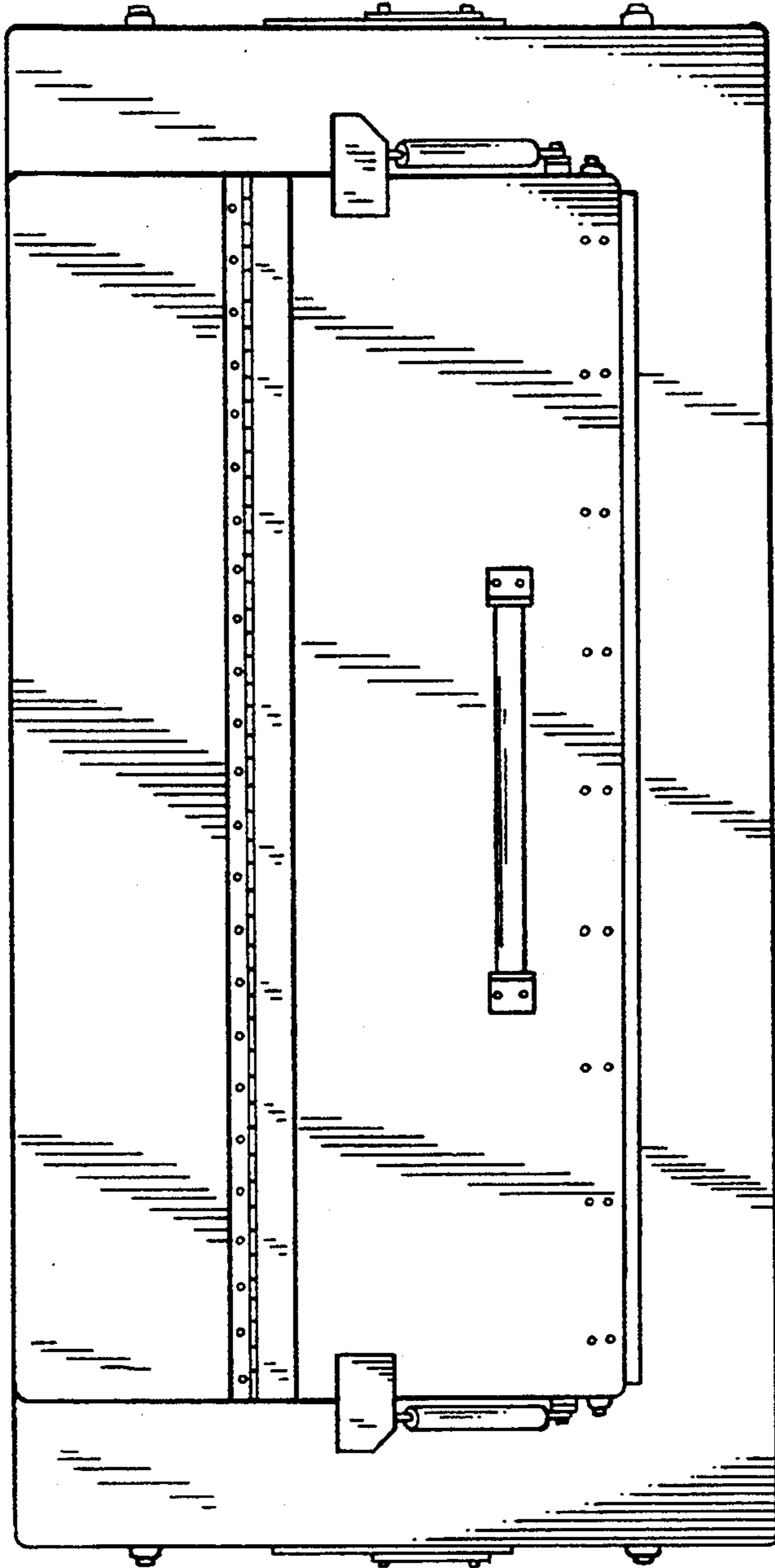


FIG. 8