



US00D362453S

United States Patent [19]

[11] Patent Number: **Des. 362,453**

Yoshihara et al.

[45] Date of Patent: **** Sep. 19, 1995**

[54] **FILM SCANNING VIEWER**

[75] Inventors: **Tsutomu Yoshihara, Ayase; Yumiko Kanatani, Tokyo, both of Japan**

[73] Assignee: **Canon Kabushiki Kaisha, Tokyo, Japan**

[**] Term: **14 Years**

[21] Appl. No.: **25,244**

[22] Filed: **Jun. 28, 1994**

[30] **Foreign Application Priority Data**

Dec. 29, 1993 [JP] Japan 5-40030

[52] U.S. Cl. **D16/225**

[58] Field of Search D16/221, 223, 225;
D18/38; 348/96; 355/44, 45

[56] **References Cited**

U.S. PATENT DOCUMENTS

D. 206,101 10/1966 Grippi, Jr. et al. D16/225

D. 350,767 9/1994 Kojima et al. D18/38
5,016,045 5/1991 Watanabe 355/45
5,084,756 1/1992 Muehlhausen 355/45

Primary Examiner—Terry A. Wallace
Assistant Examiner—Adir Aronovich
Attorney, Agent, or Firm—Fitzpatrick, Cella, Harper & Scinto

[57] **CLAIM**

The ornamental design for film scanning viewer, as shown and described.

DESCRIPTION

FIG. 1 is a front elevational view of film scanning viewer showing our new design;
FIG. 2 is a rear elevational view thereof;
FIG. 3 is a top plan view thereof;
FIG. 4 is a bottom plan view thereof;
FIG. 5 is a left side elevational view thereof;
FIG. 6 is a right side elevational view thereof; and,
FIG. 7 is a perspective view thereof.

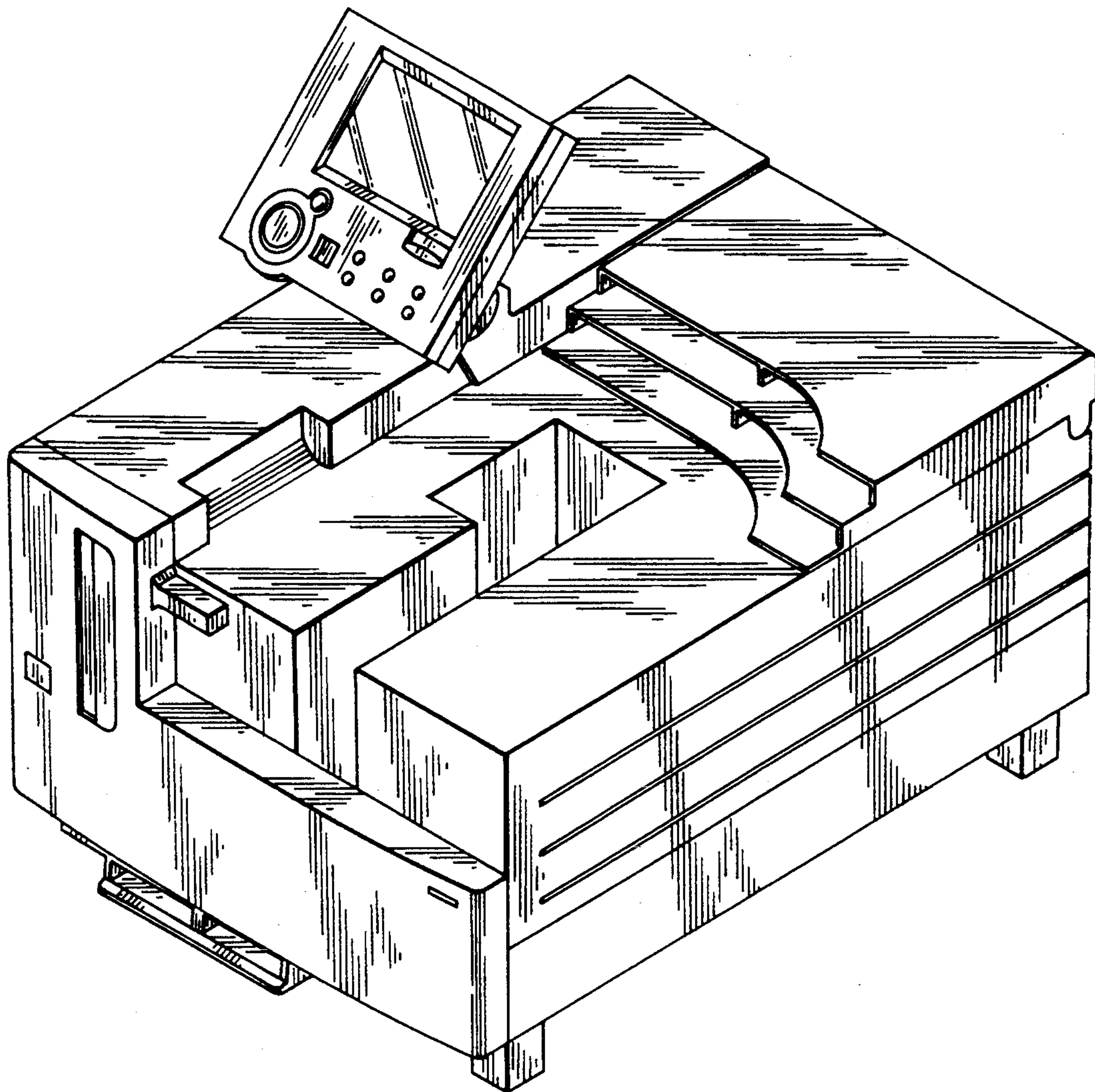


FIG. 2

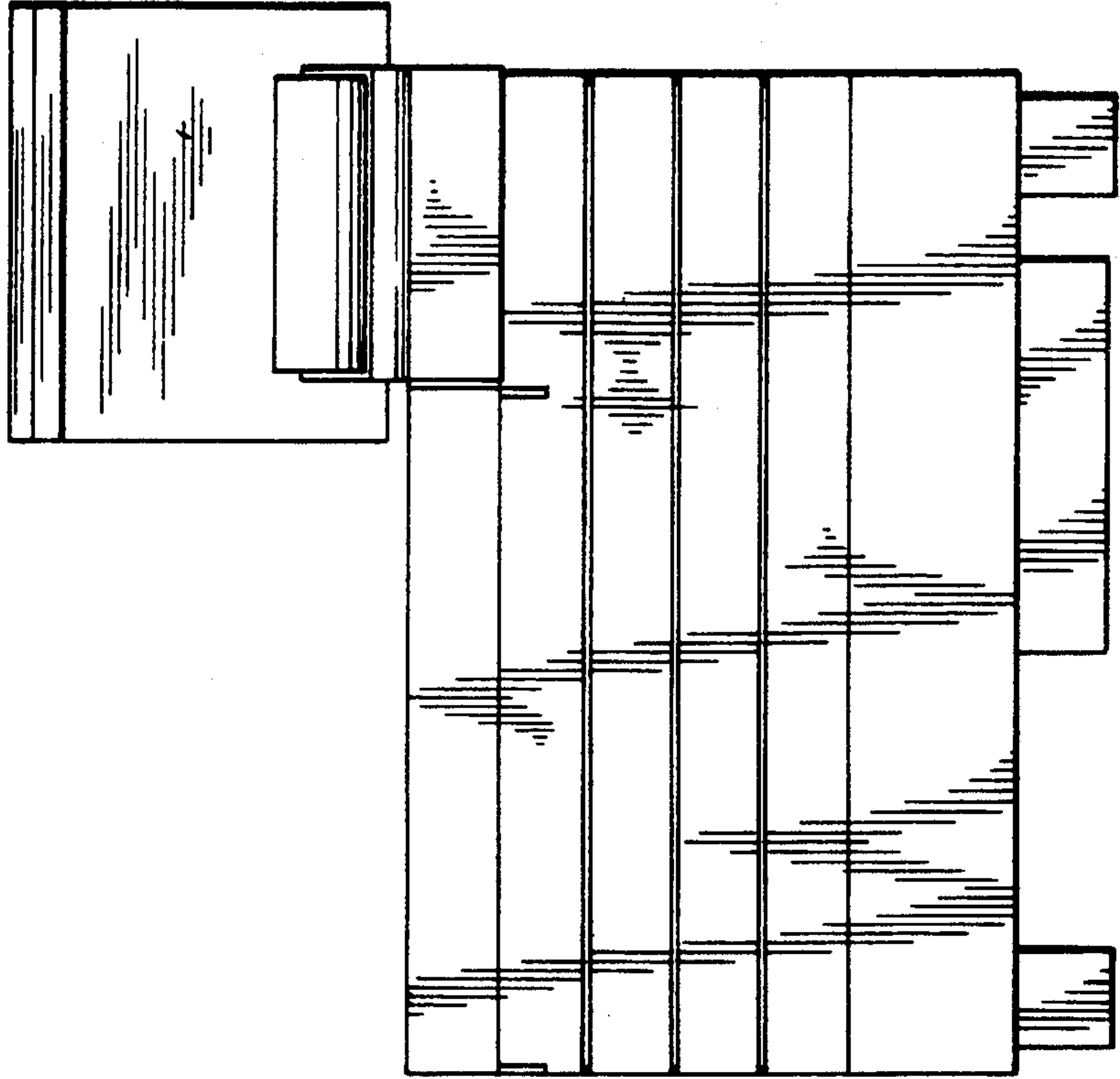


FIG. 1

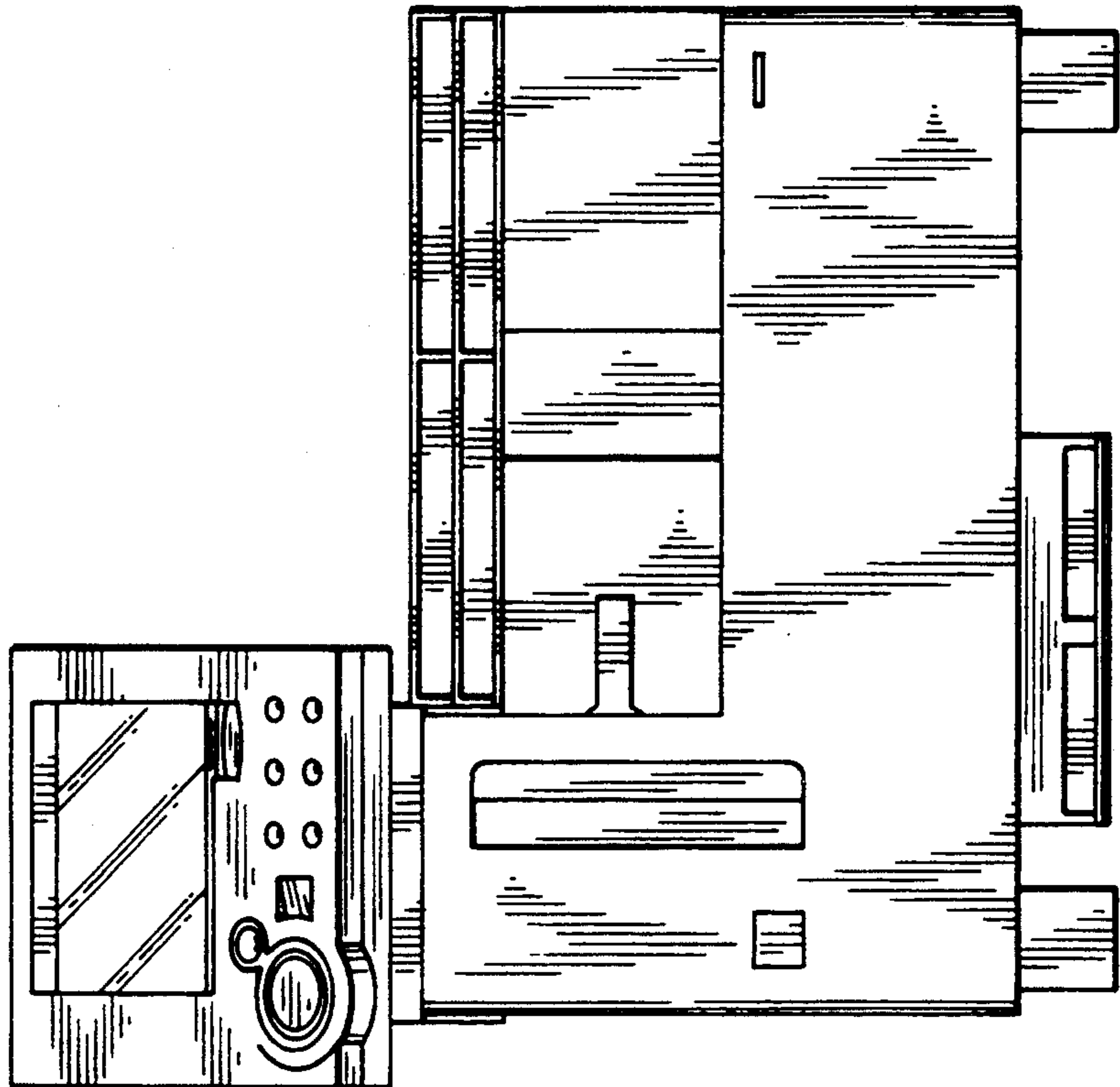


FIG. 4

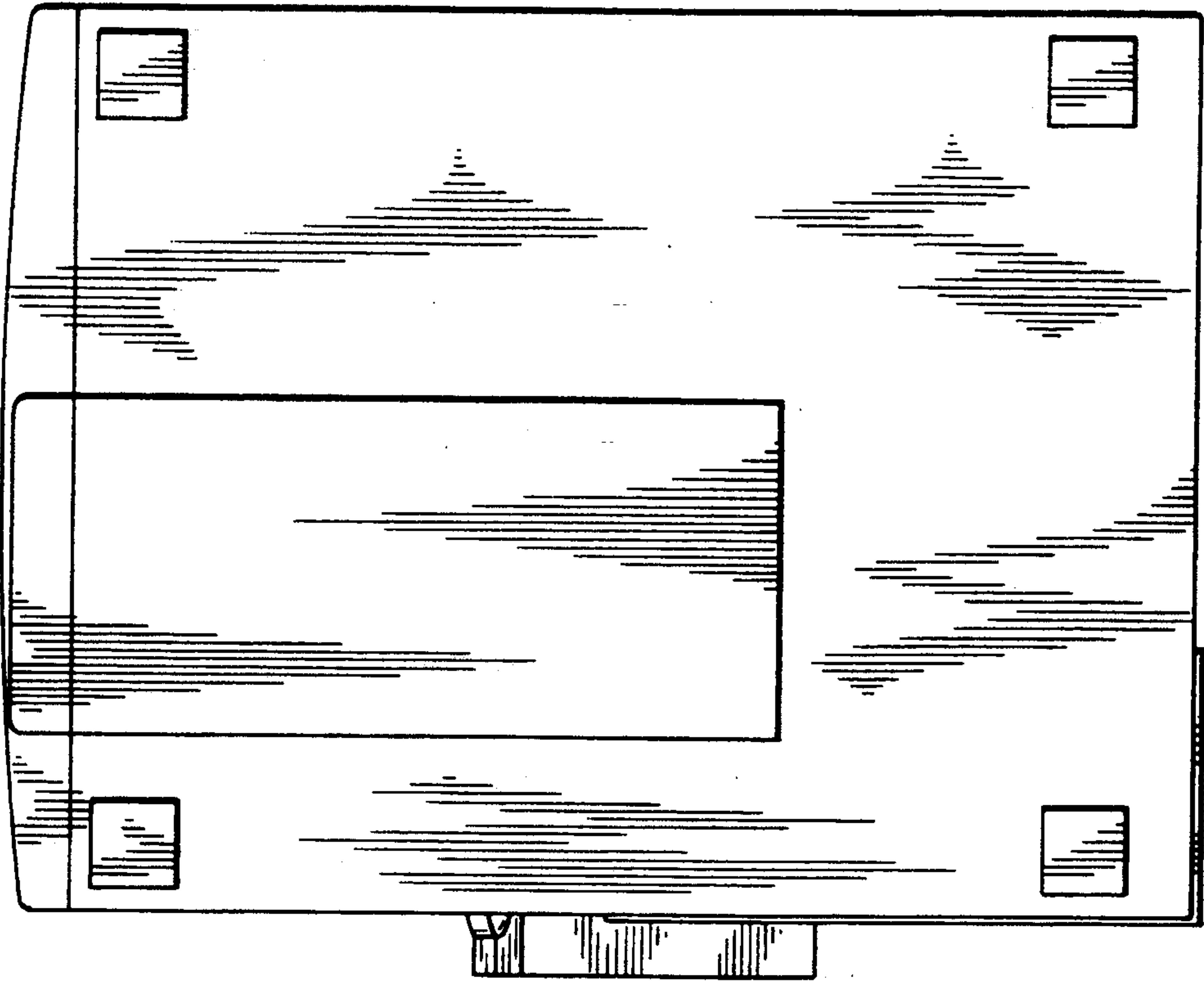


FIG. 3

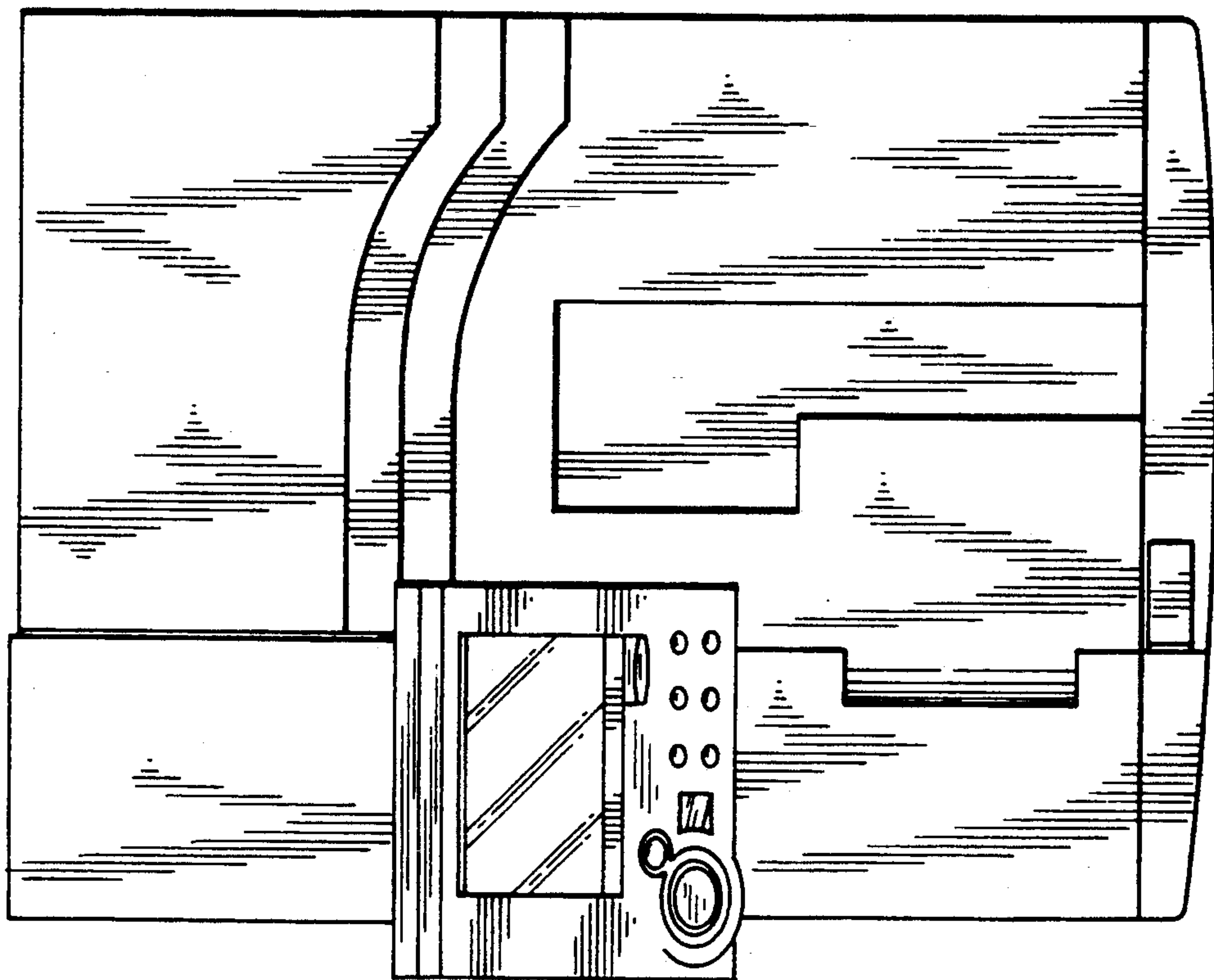


FIG. 5

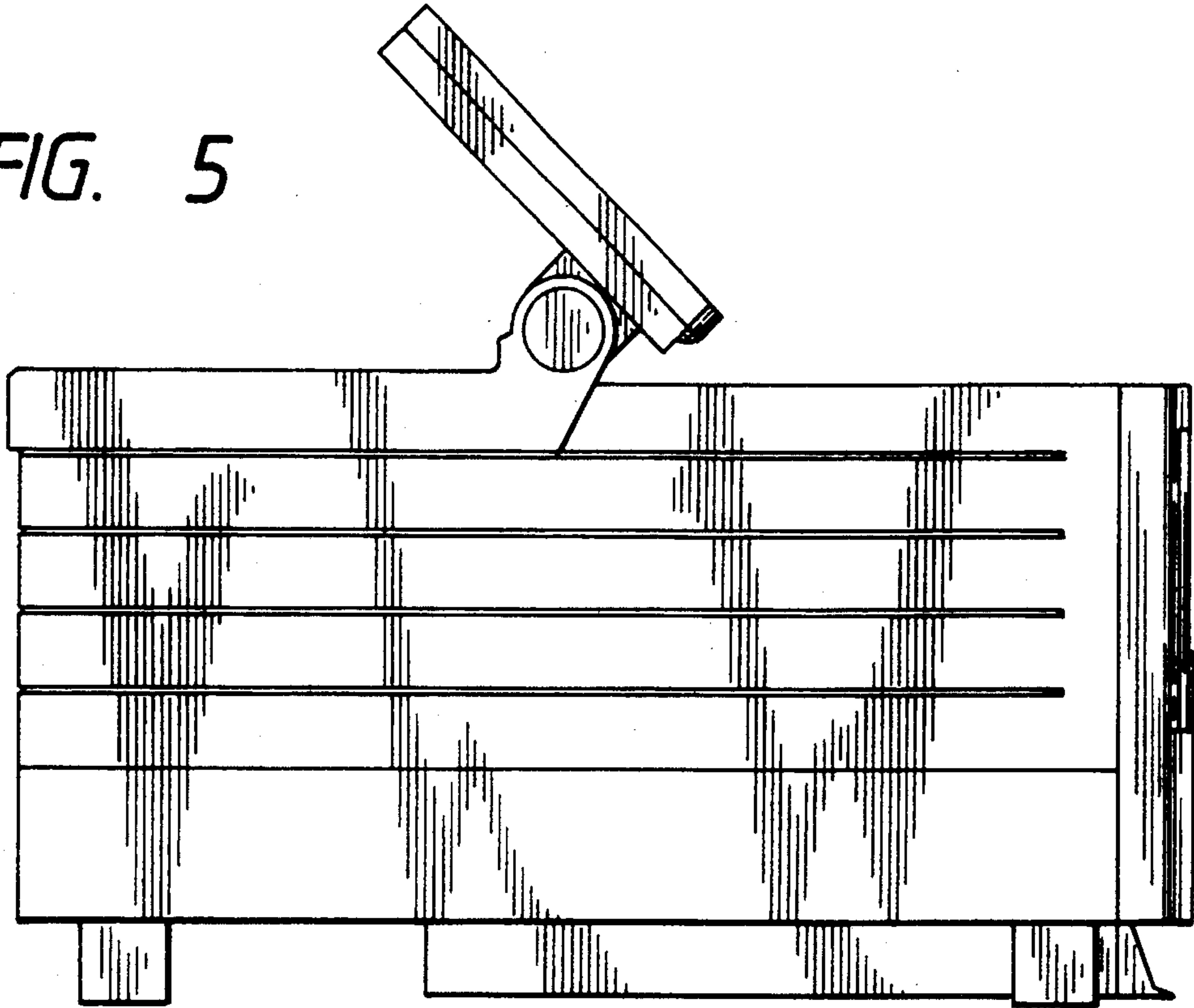


FIG. 6

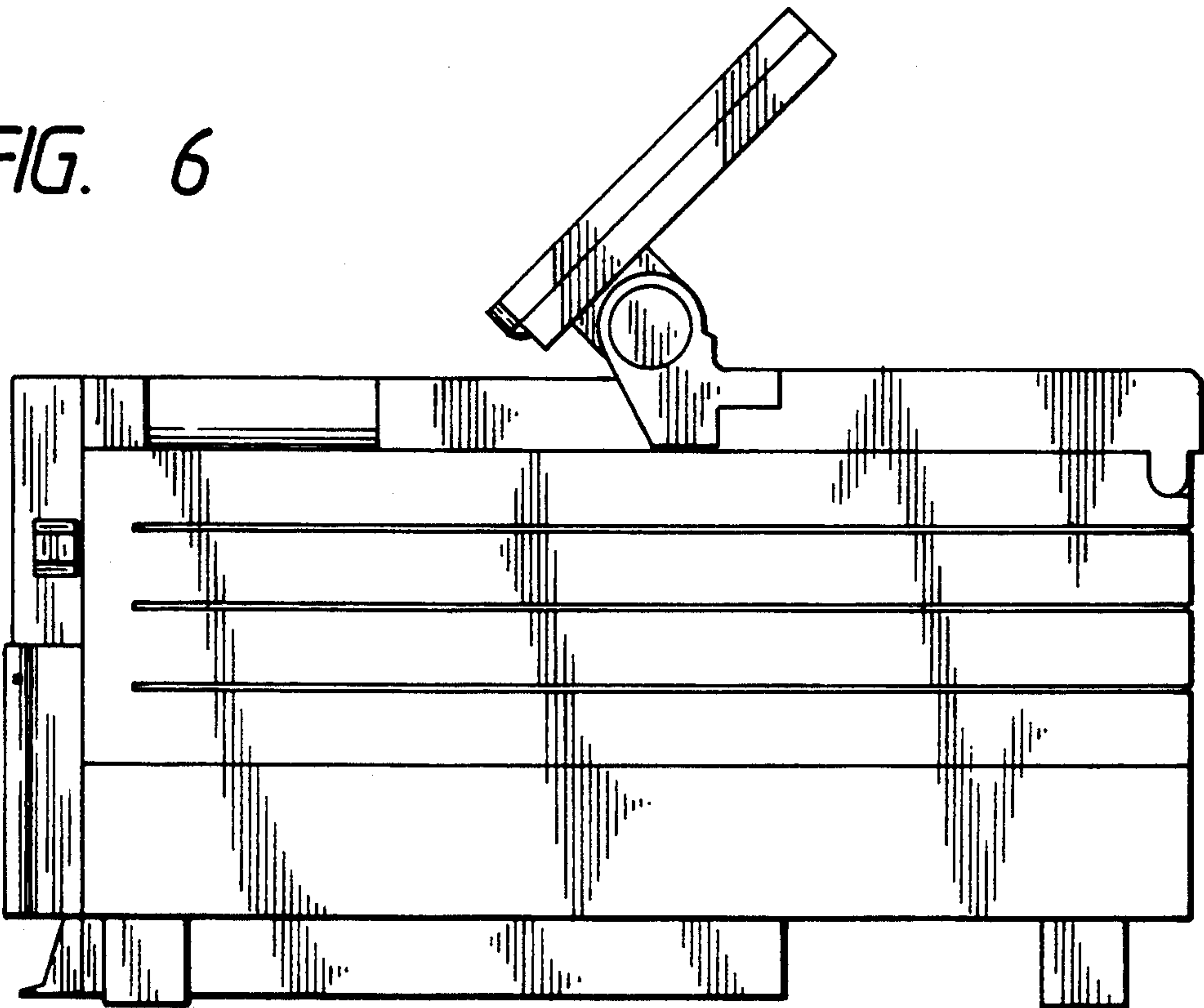


FIG. 7

