



US00D362452S

# United States Patent [19]

[11] Patent Number: **Des. 362,452**

**Matsumura**

[45] Date of Patent: **\*\* Sep. 19, 1995**

[54] **VIDEO CAMERA WITH VIDEO TAPE RECORDER**

[75] Inventor: **Yoshiyuki Matsumura, Chofu, Japan**

[73] Assignee: **Canon Kabushiki Kaisha, Tokyo, Japan**

[\*\*] Term: **14 Years**

[21] Appl. No.: **28,169**

[22] Filed: **Sep. 8, 1994**

[30] **Foreign Application Priority Data**

Mar. 11, 1994 [JP] Japan ..... 6-6423

[52] U.S. Cl. .... **D16/202**

[58] Field of Search ..... D16/200, 202, 203-205, D16/208; 352/242, 243; 348/373-376; 354/81, 82, 288; 358/906

[56] **References Cited**

**U.S. PATENT DOCUMENTS**

- D. 289,645 5/1987 Kondo ..... D14/78
- D. 315,915 4/1991 Morimiya ..... D16/202
- D. 316,419 4/1991 Matsumura ..... D16/202
- D. 316,420 4/1991 Tanaka ..... D16/202
- D. 322,266 12/1991 Ichiyoshi ..... D16/202
- D. 322,267 12/1991 Matsumura ..... D16/202
- D. 322,448 12/1991 Kondo ..... D16/202
- D. 327,698 7/1992 Masuda ..... D16/202
- D. 331,767 12/1992 Yoshida ..... D16/202
- D. 331,935 12/1992 Tanaka ..... D16/202

- D. 332,108 12/1992 Kondo ..... D16/202
- D. 336,910 6/1993 Yoshida ..... D16/202
- D. 336,911 6/1993 Masuda ..... D16/202
- D. 337,341 7/1993 Masuda ..... D16/202
- D. 342,083 12/1993 Kondoh ..... D16/202
- D. 346,614 5/1994 Sumita ..... D16/202
- D. 346,615 5/1994 Sumita ..... D16/202
- D. 349,908 8/1994 Miyahara ..... D16/202
- D. 355,204 2/1995 Miyahara ..... D16/202
- 5,121,147 6/1992 Wada et al. .... 354/81

**OTHER PUBLICATIONS**

Ritz Camera Catalog, p. 7 (Sony's CCD-TR6 Item C).  
Video Magazine, Jan. 1993 p. 3 (Yashica's Hi8 KX-H3).

*Primary Examiner*—Terry A. Wallace  
*Assistant Examiner*—Adir Aronovich  
*Attorney, Agent, or Firm*—Fitzpatrick, Cella, Harper & Scinto

[57] **CLAIM**

The ornamental design for a video camera with video tape recorder, as shown and described.

**DESCRIPTION**

FIG. 1 is a front elevational view of a video camera with video tape recorder showing my new design; FIG. 2 is a rear elevational view thereof; FIG. 3 is a top plan view thereof; FIG. 4 is a bottom plan view thereof; FIG. 5 is a left side elevational view thereof; FIG. 6 is a right side elevational view thereof; and, FIG. 7 is a perspective view thereof.

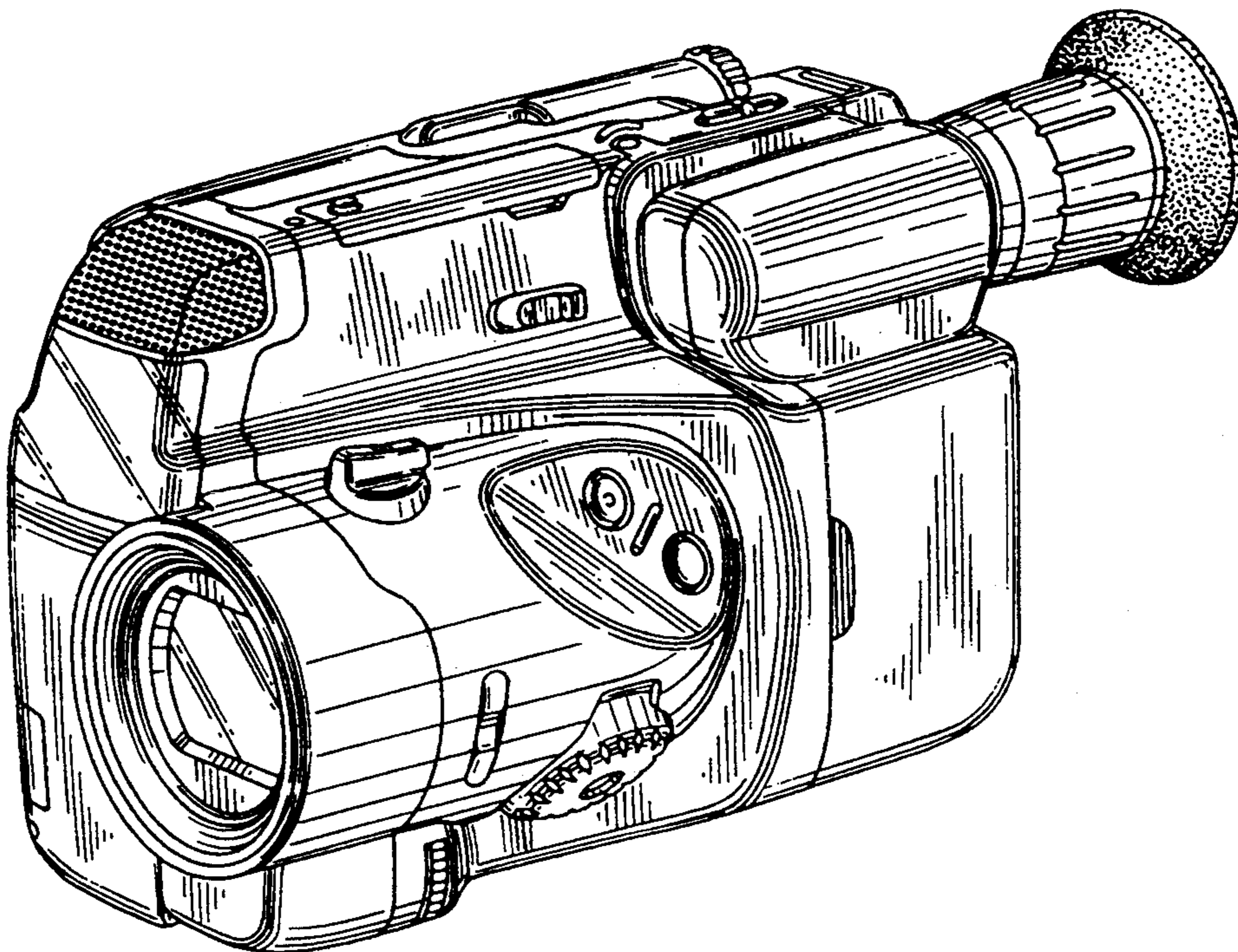


FIG. 1

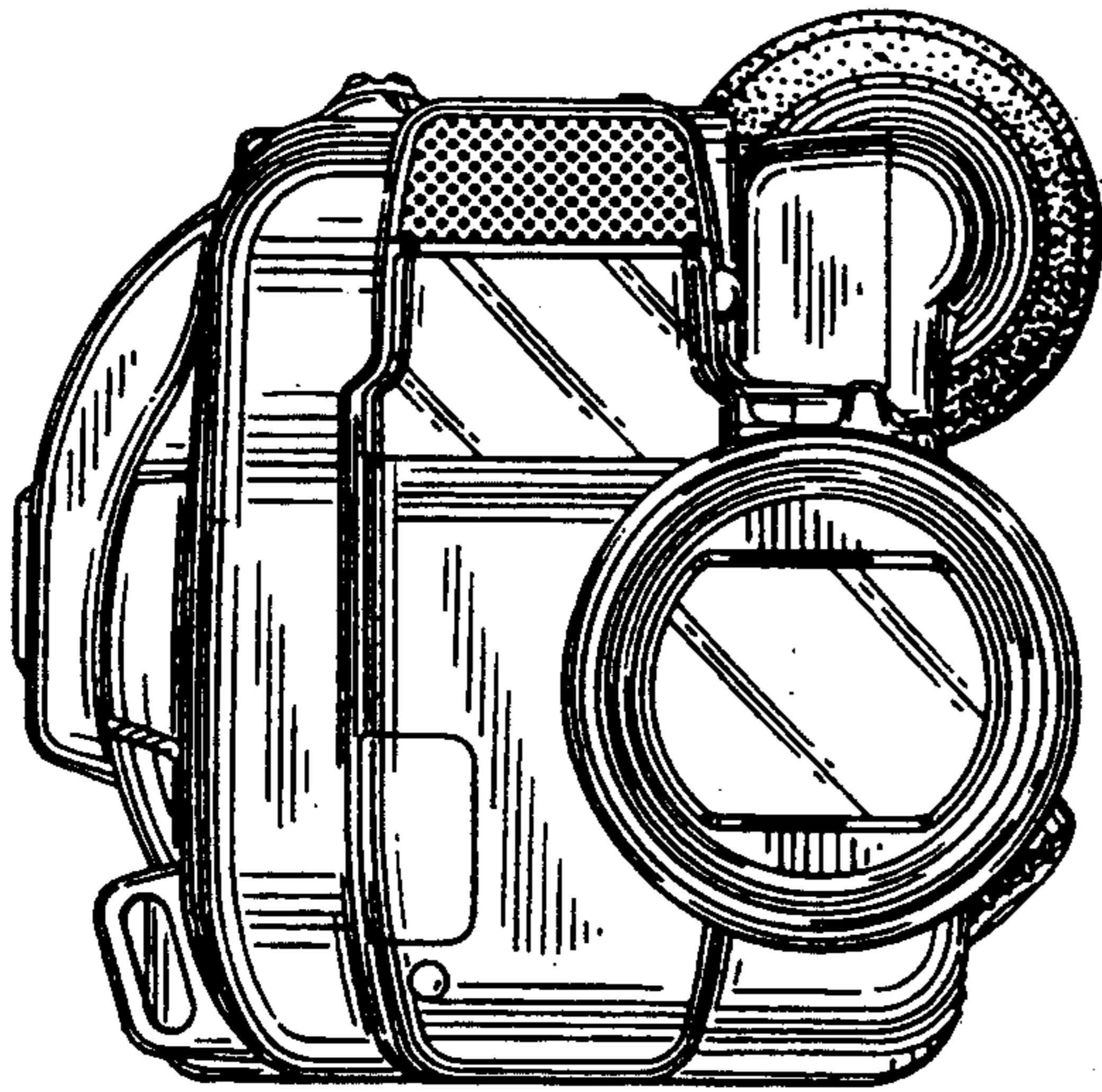


FIG. 2

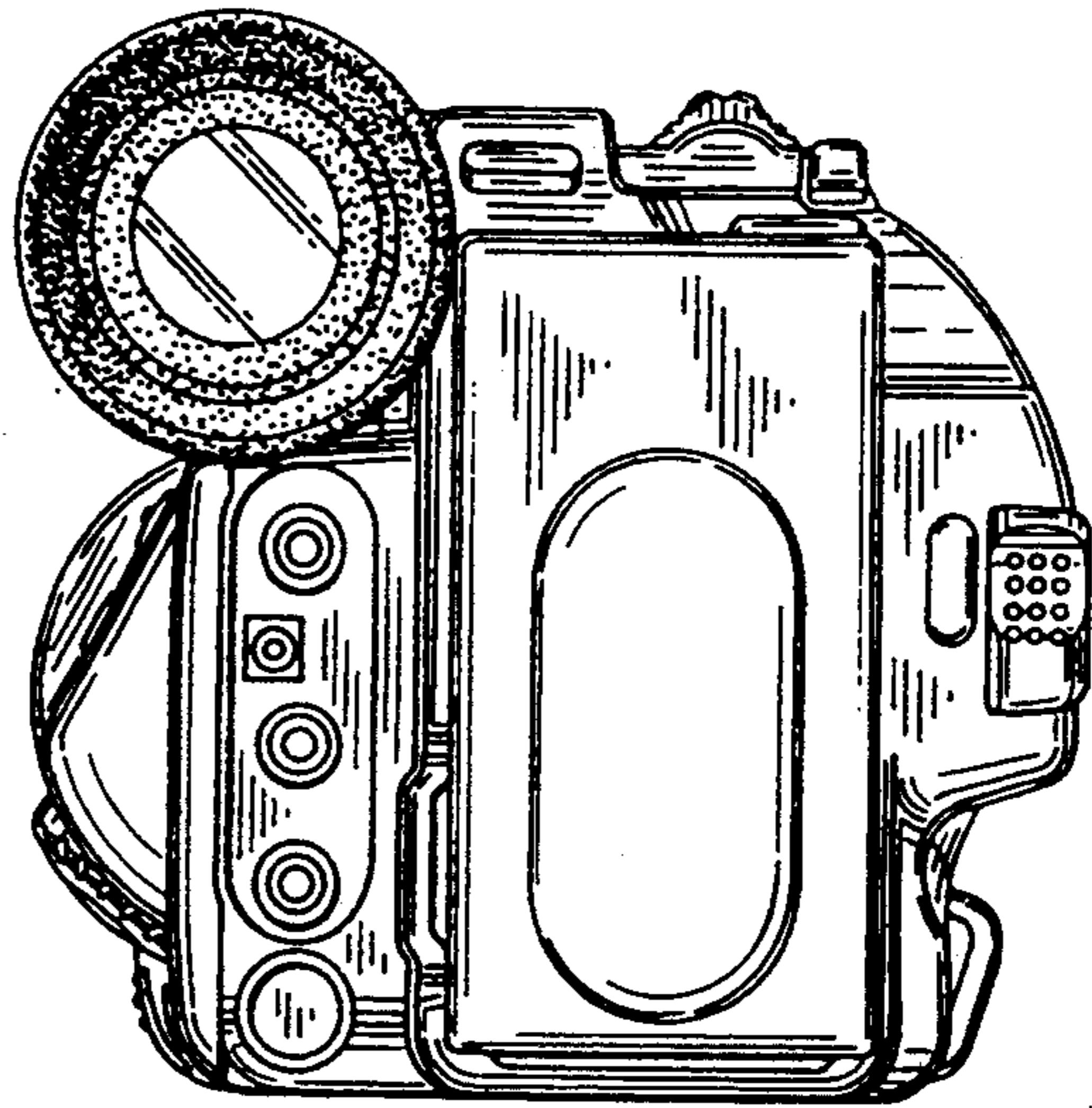


FIG. 3

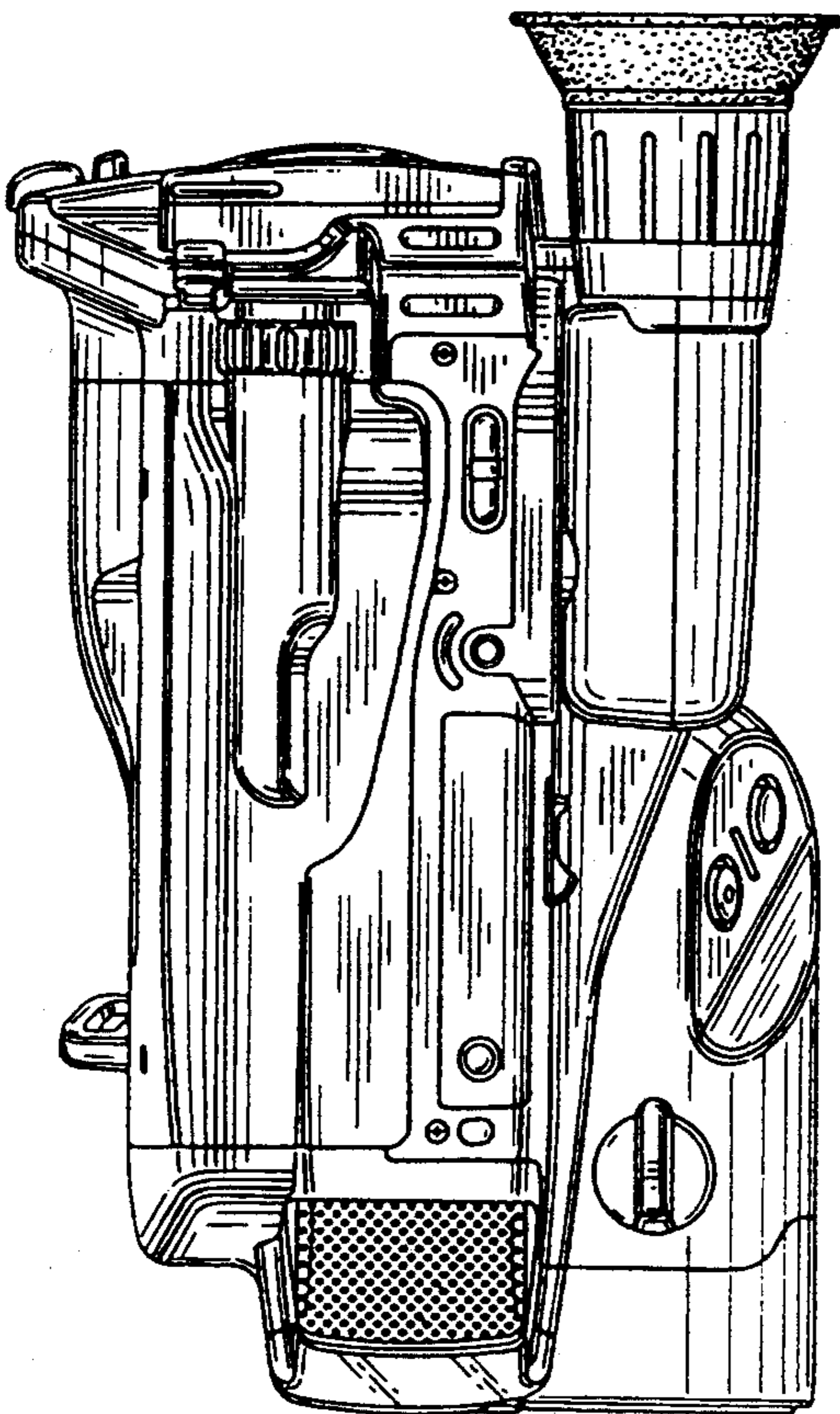


FIG. 4

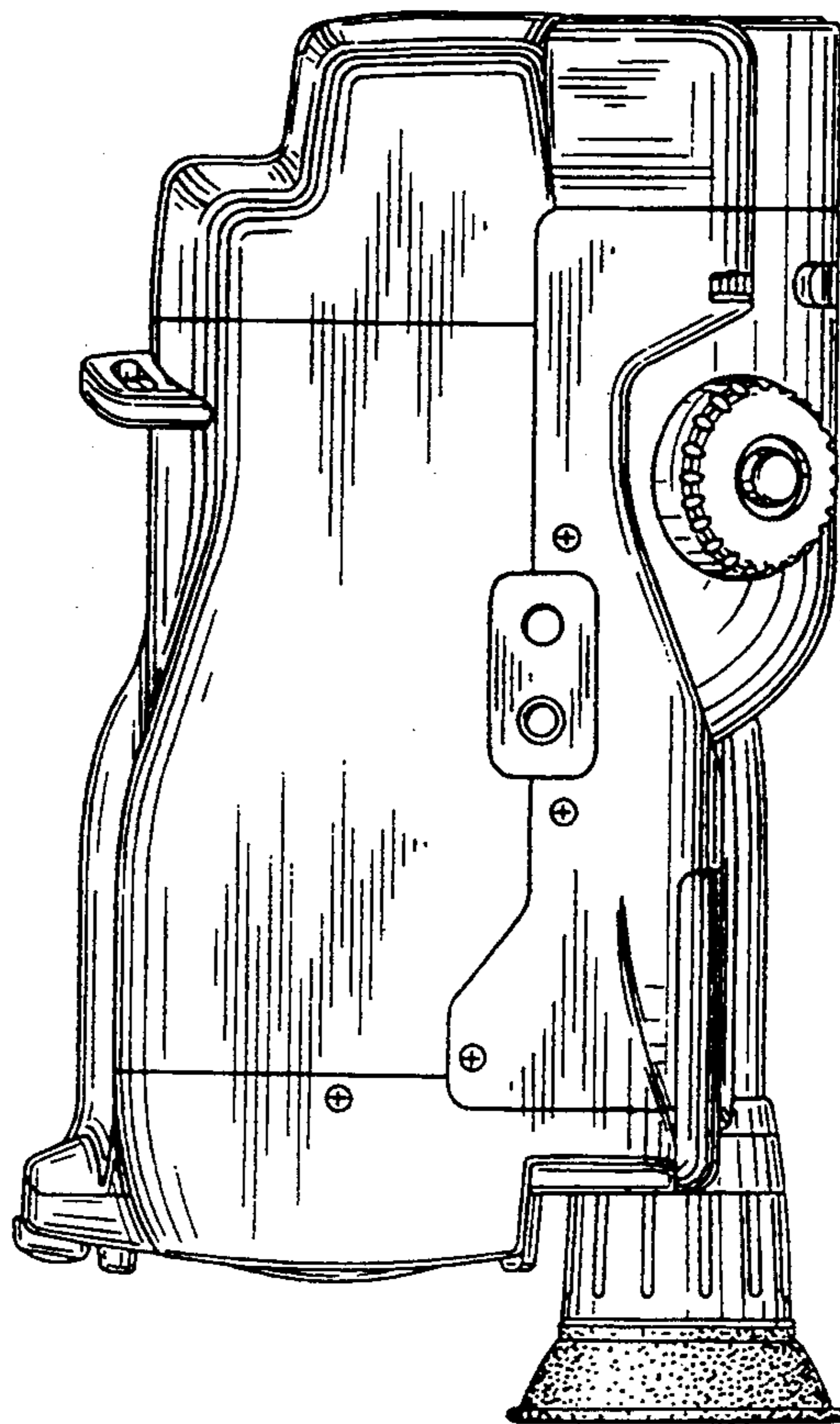


FIG. 5

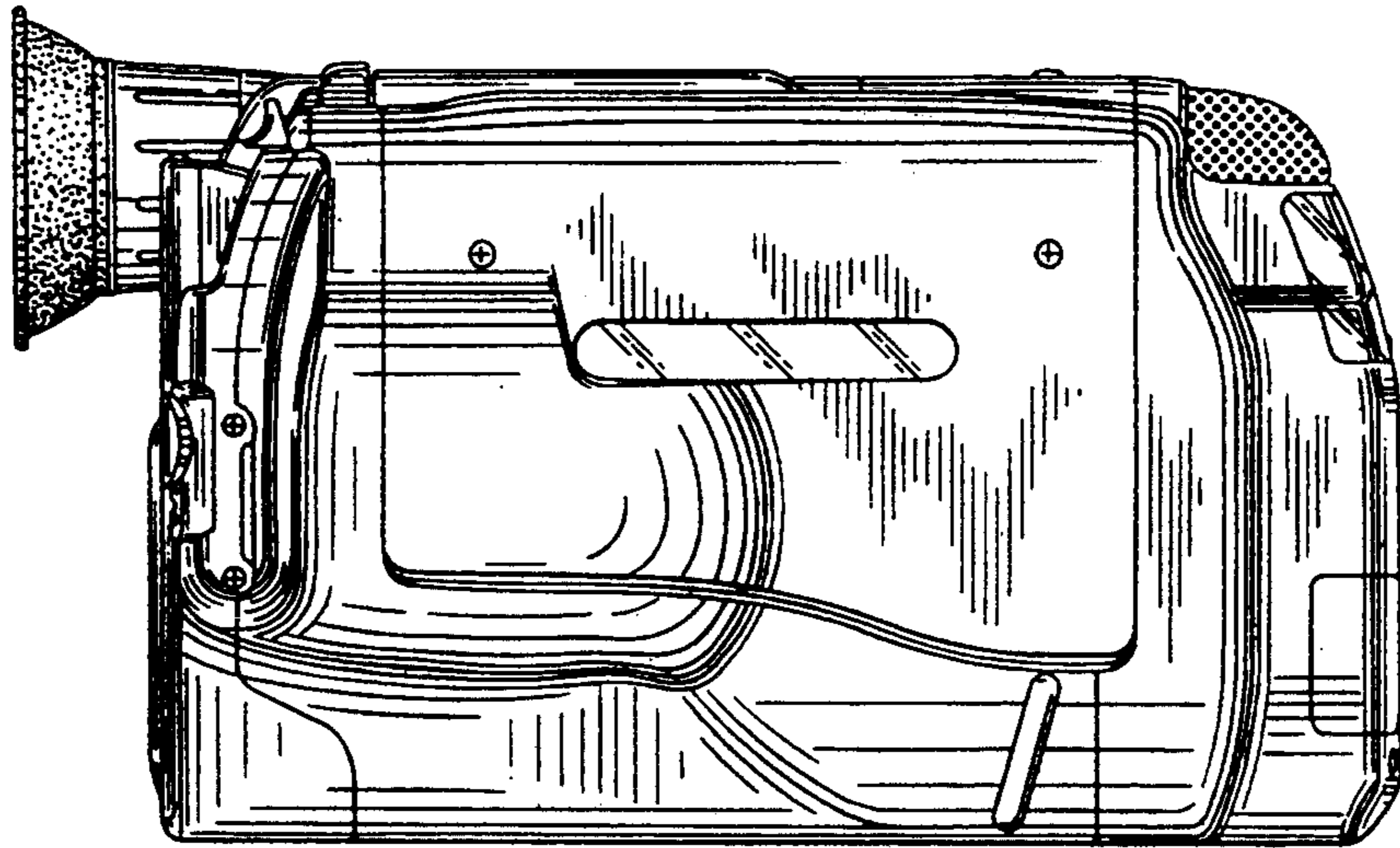


FIG. 6

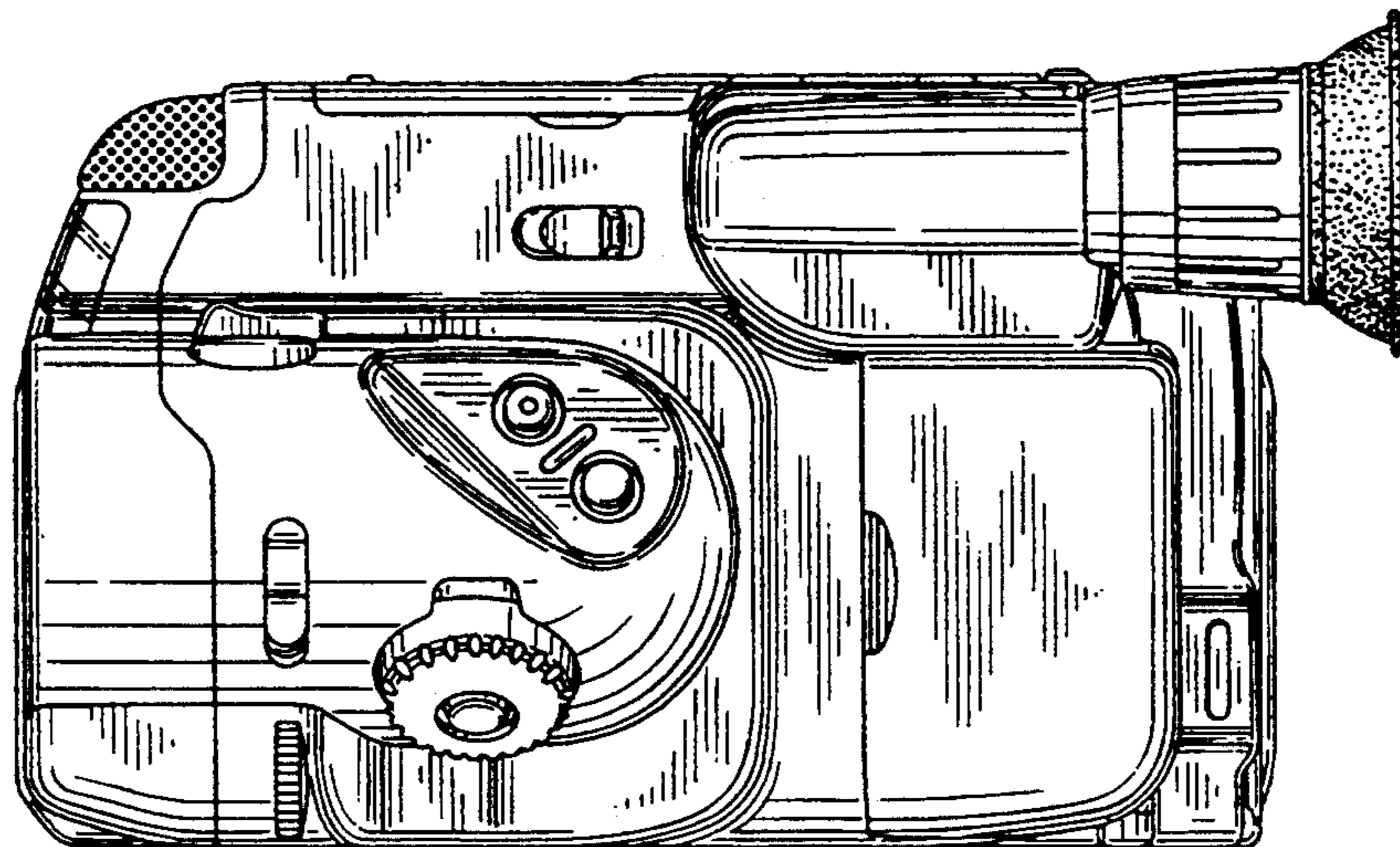


FIG. 7

