



US00D362449S

# United States Patent [19]

[11] Patent Number: Des. 362,449

Swisher, Jr.

[45] Date of Patent: \*\* Sep. 19, 1995

[54] PAVING MATERIAL MACHINE WITH TUNNEL

[76] Inventor: George W. Swisher, Jr., 1500 Dorchester Dr., Oklahoma City, Okla. 73120

[\*\*] Term: 14 Years

[21] Appl. No.: 10,527

[22] Filed: Jul. 9, 1993

[52] U.S. Cl. .... D15/22

[58] Field of Search ..... D15/10, 12, 22-26; 404/108, 110, 118

[56] **References Cited**

**U.S. PATENT DOCUMENTS**

D. 135,005	2/1943	Baumgardner	.....	D15/10
D. 239,966	5/1976	Swisher	.....	D15/22
D. 256,466	8/1980	Smith et al.	.....	D15/22
D. 258,887	4/1981	Swisher, Jr. et al.	.....	D15/22
D. 323,511	1/1992	Swisher, Jr.	.....	D15/23
D. 346,388	4/1994	Silbernagel	.....	D15/22
3,405,613	10/1968	Gustafson	.....	D15/22
4,676,689	6/1987	Yant	.....	404/110
4,854,769	8/1989	Fukukawa et al.	.....	404/118
5,124,764	6/1992	Veath, Sr.	.....	404/108
5,232,305	8/1993	Bassett et al.	.....	404/101
5,269,626	12/1993	Soliman et al.	.....	404/108

Primary Examiner—Terry A. Wallace  
Assistant Examiner—Sandra Morris  
Attorney, Agent, or Firm—Dunlap & Codding

[57] **CLAIM**

An ornamental design for a paving material machine with tunnel, as shown and described.

**DESCRIPTION**

FIG. 1 is a right side elevational view of a paving material machine with tunnel in accordance with my new design;

FIG. 2 is a top plan view of the paving material machine of FIG. 1;

FIG. 3 is an enlarged perspective view of a front portion of the design shown separately for ease of illustration;

FIG. 4 is a left side elevational view of the paving material machine of FIG. 1;

FIG. 5 is a front elevational view of the paving material machine of FIG. 1;

FIG. 6 is a rear elevational view of the paving material machine of FIG. 1;

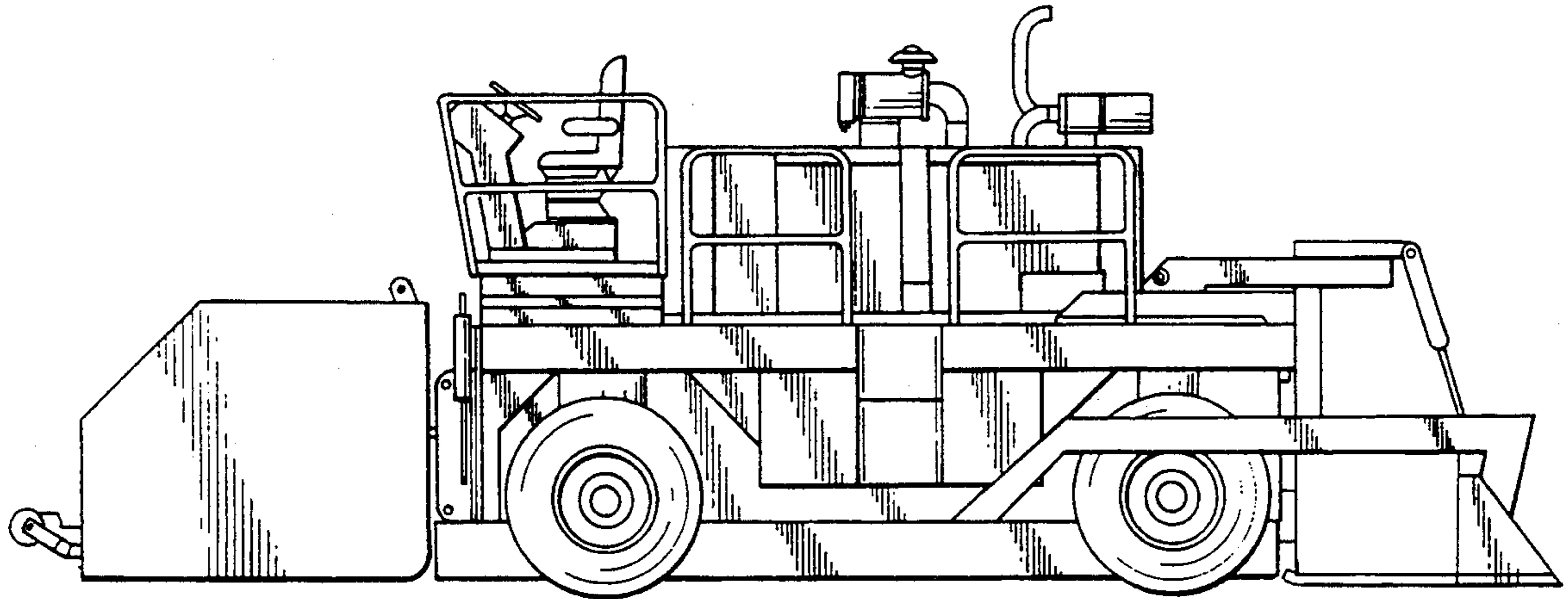
FIG. 7 is a right side elevational view of an alternate embodiment of a paving material machine with tunnel in accordance with my new design;

FIG. 8 is a top plan view of the paving material machine of FIG. 7;

FIG. 9 is a front elevational view of the paving material machine of FIG. 7;

FIG. 10 is a left side elevational view of the paving material machine of FIG. 7; and,

FIG. 11 is a rear elevational view of the paving material machine of FIG. 7.



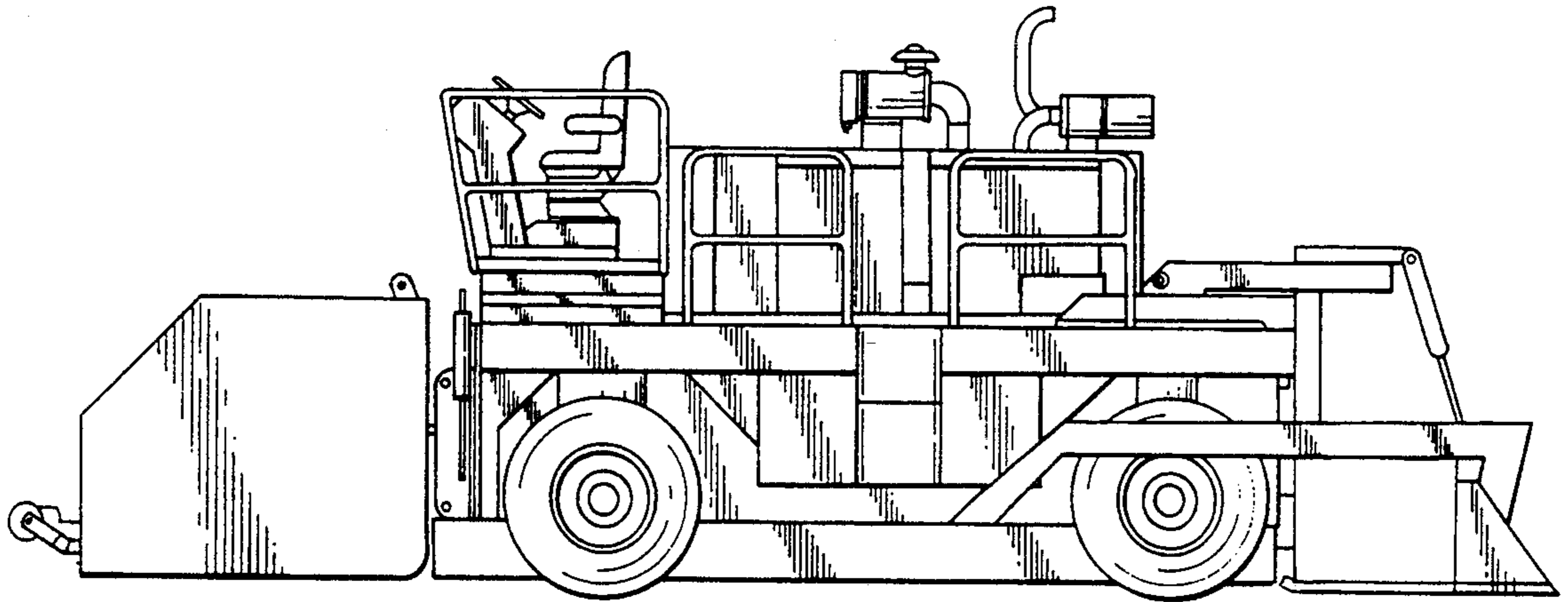


FIG. 1

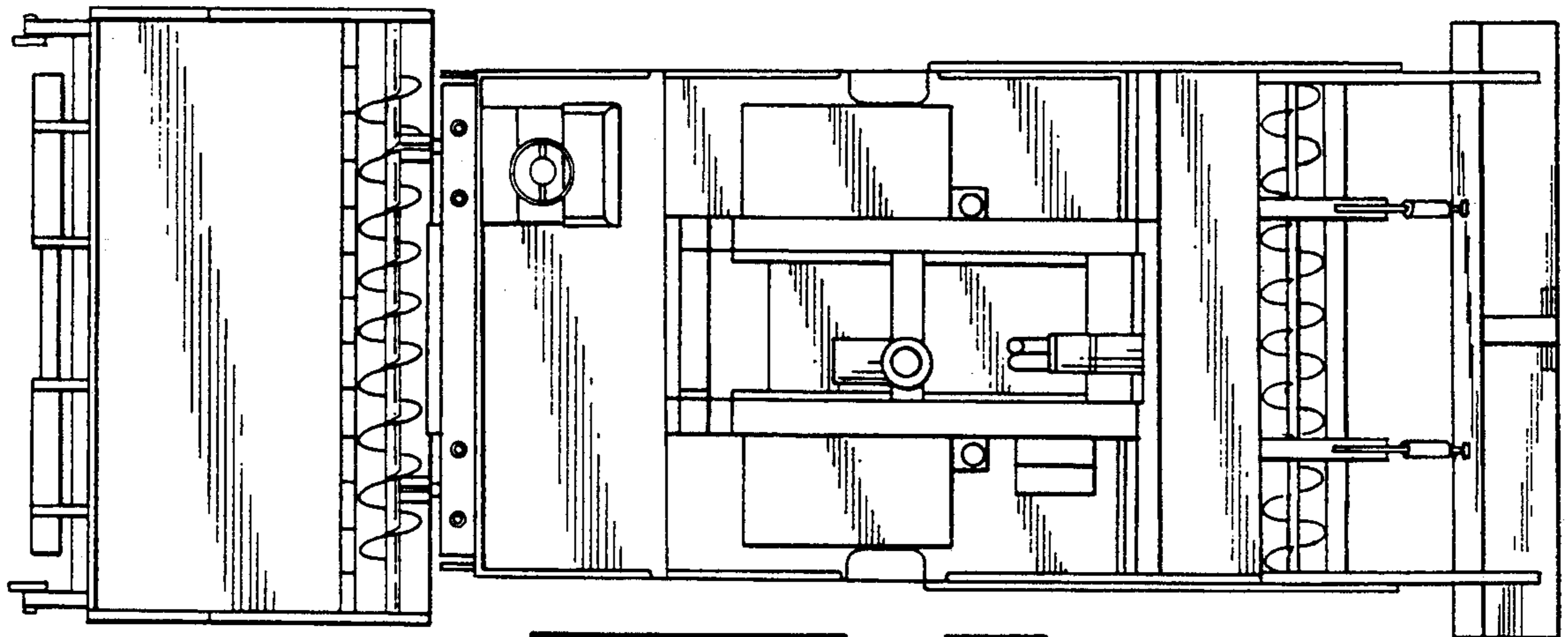


FIG. 2

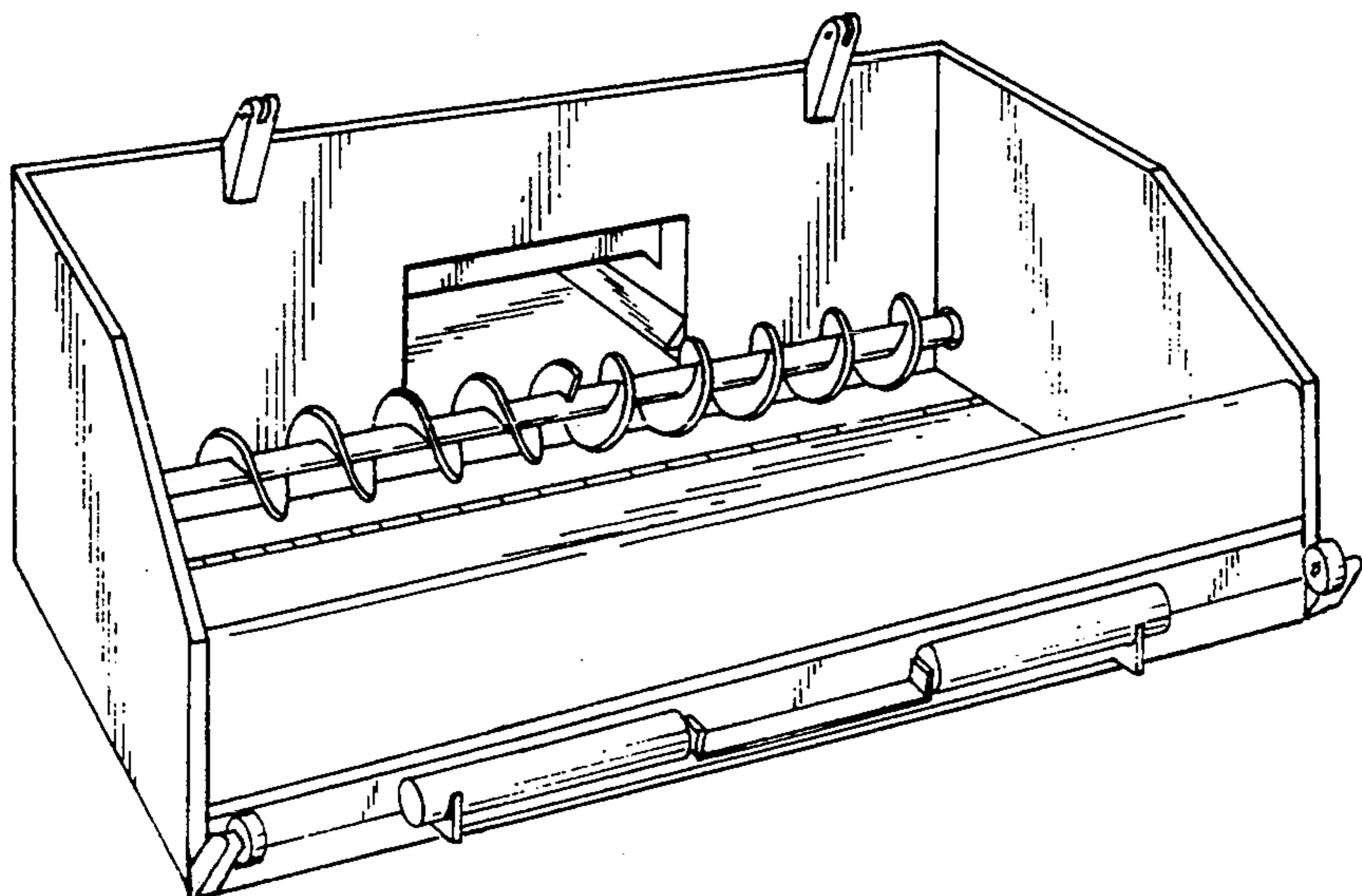


FIG. 3

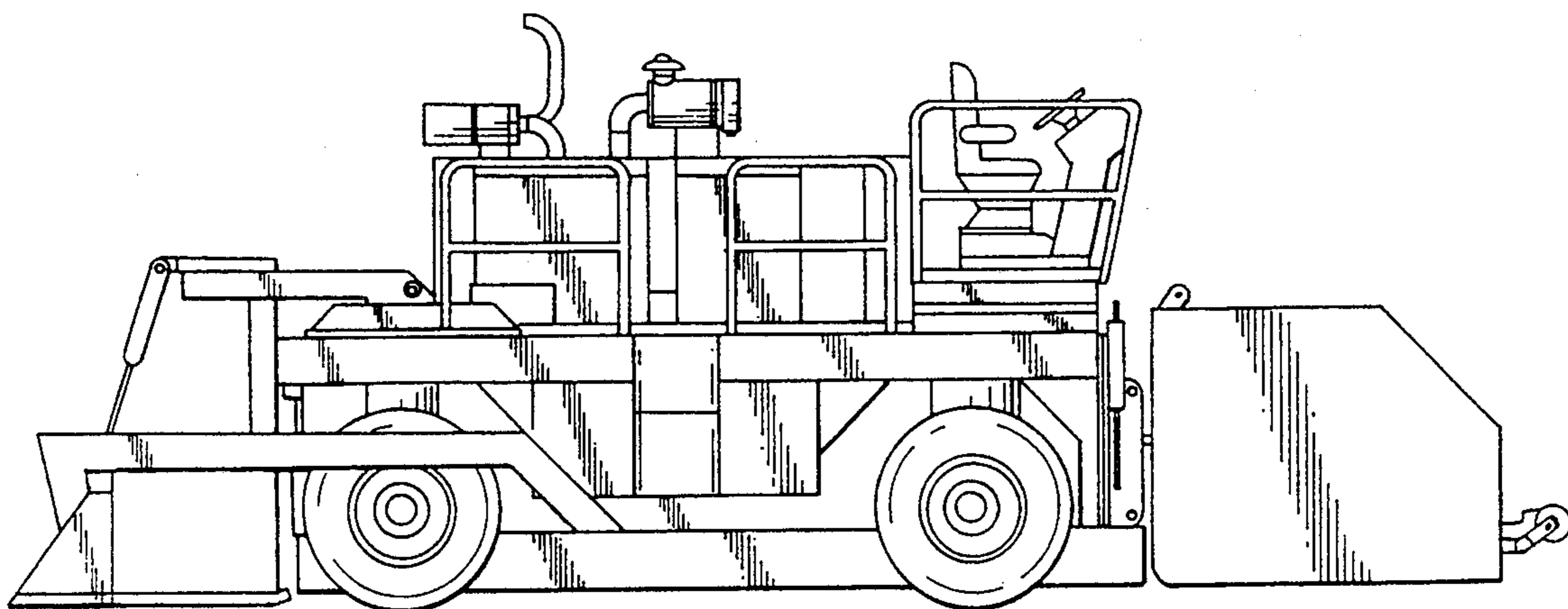


FIG. 4

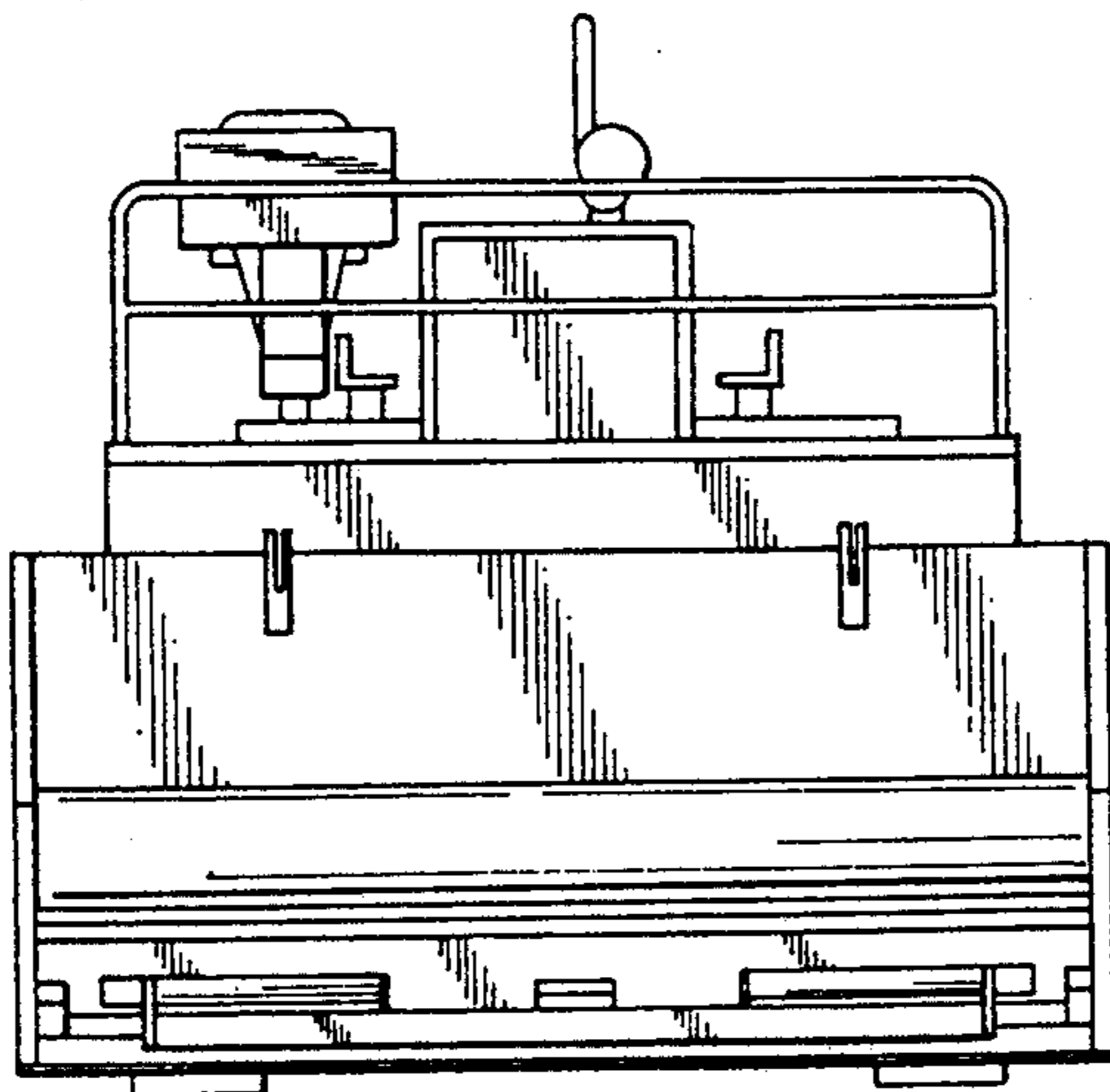


FIG. 5

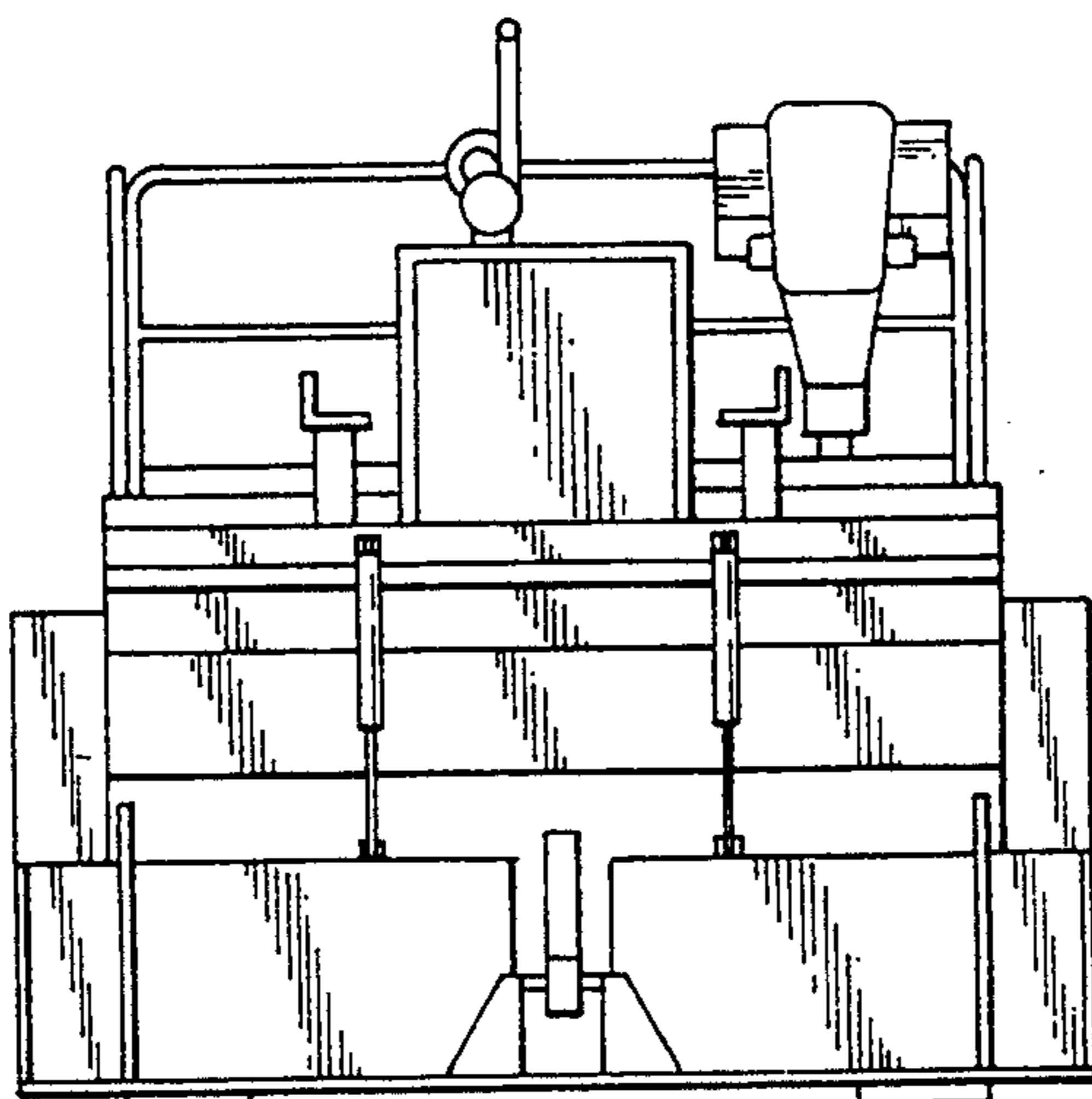
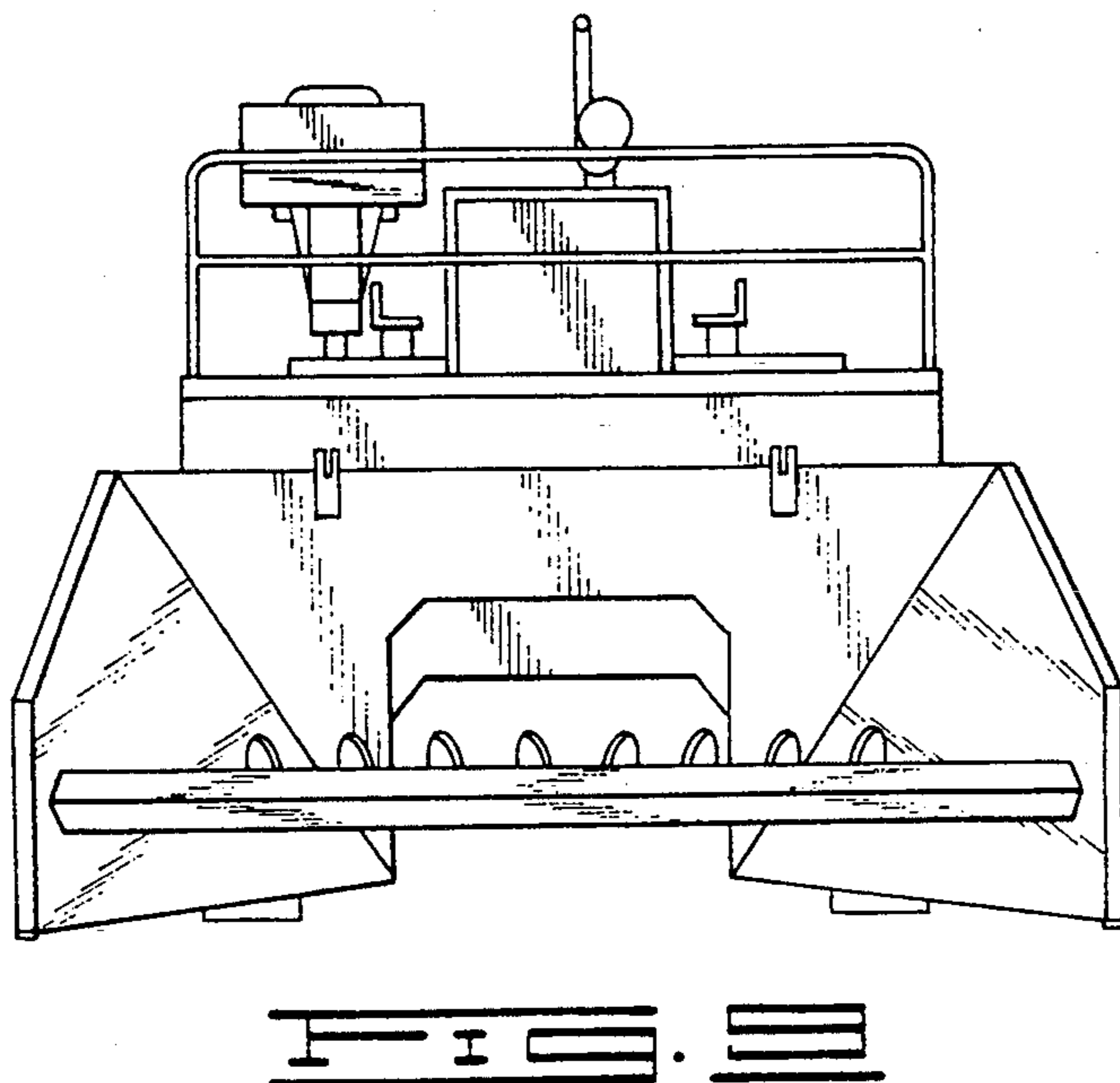
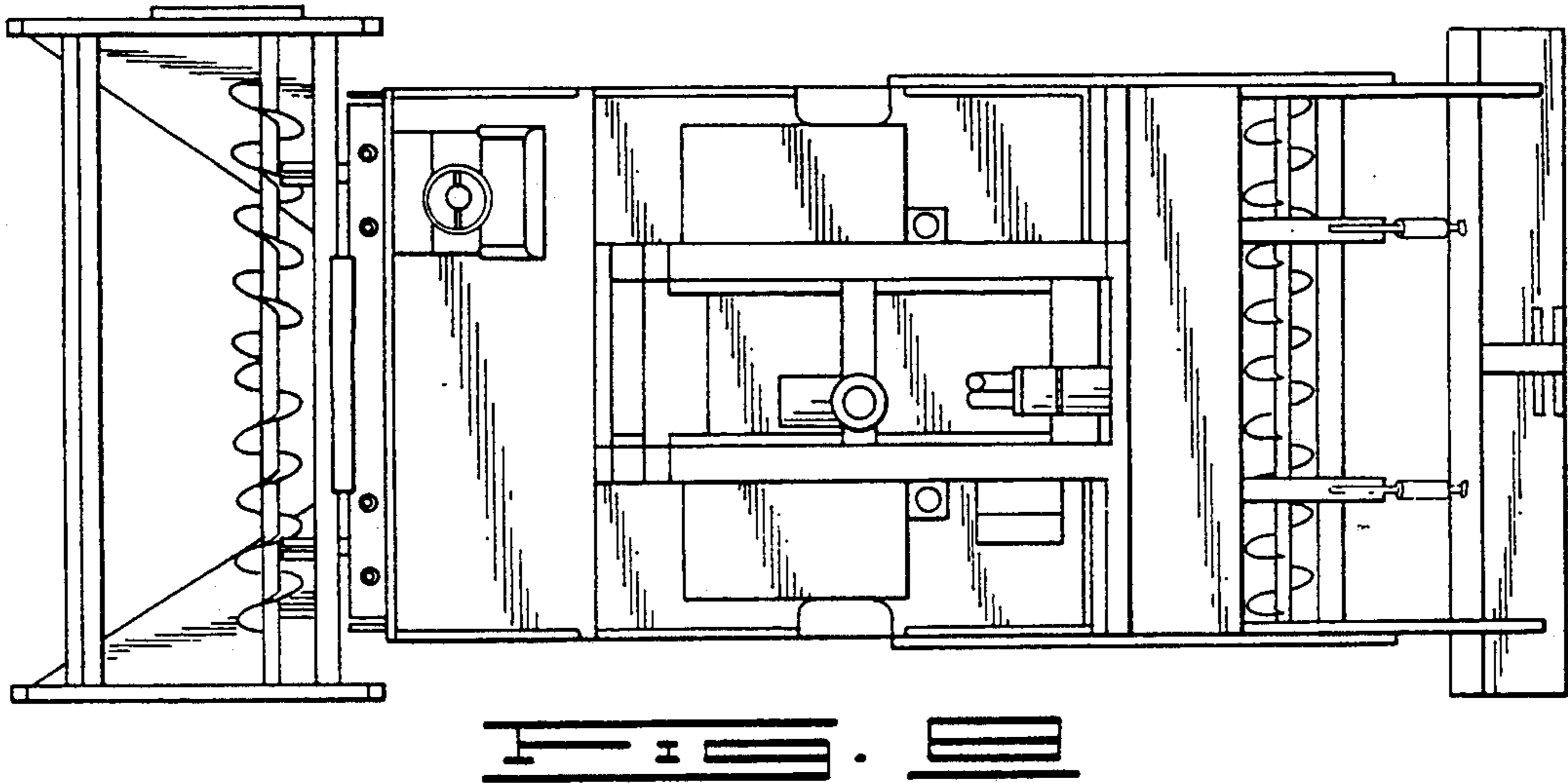
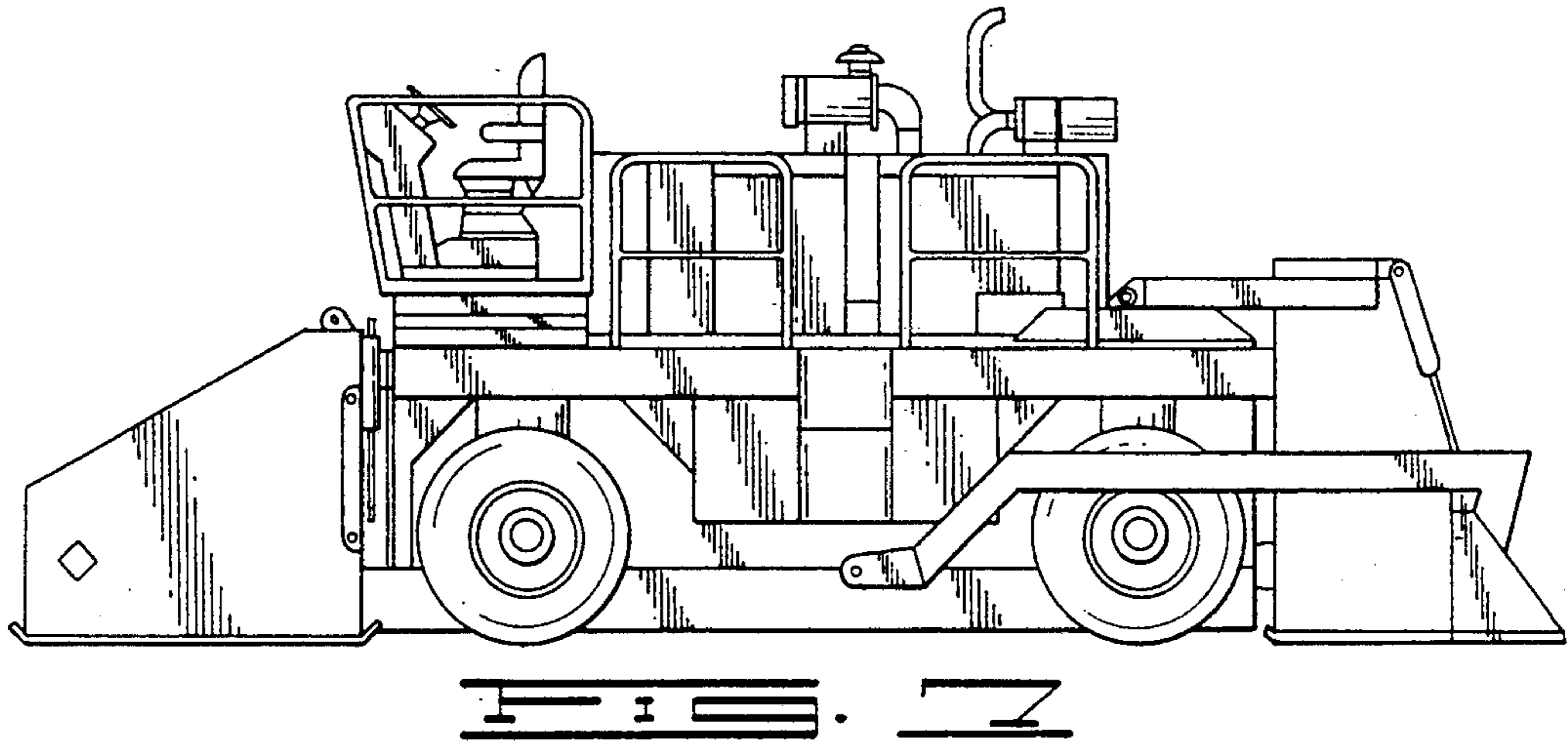


FIG. 6



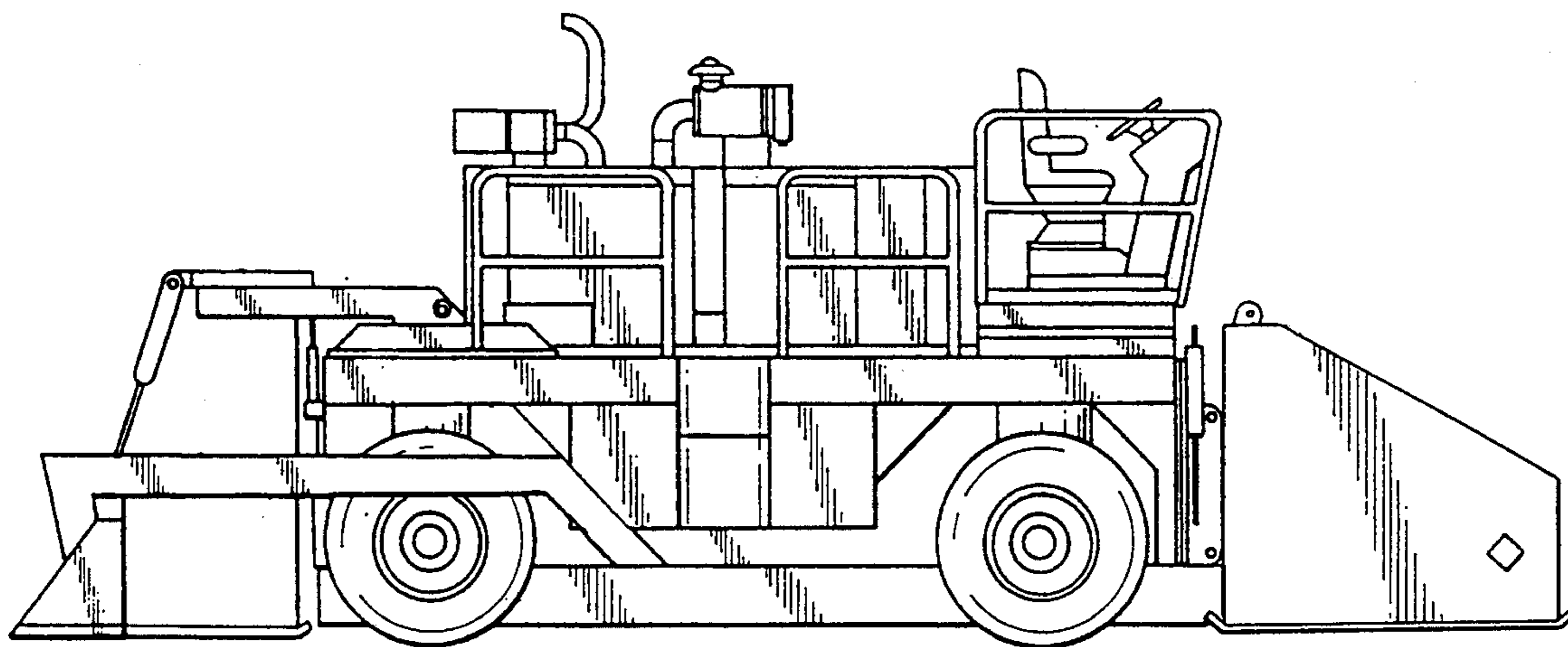


FIG. 10

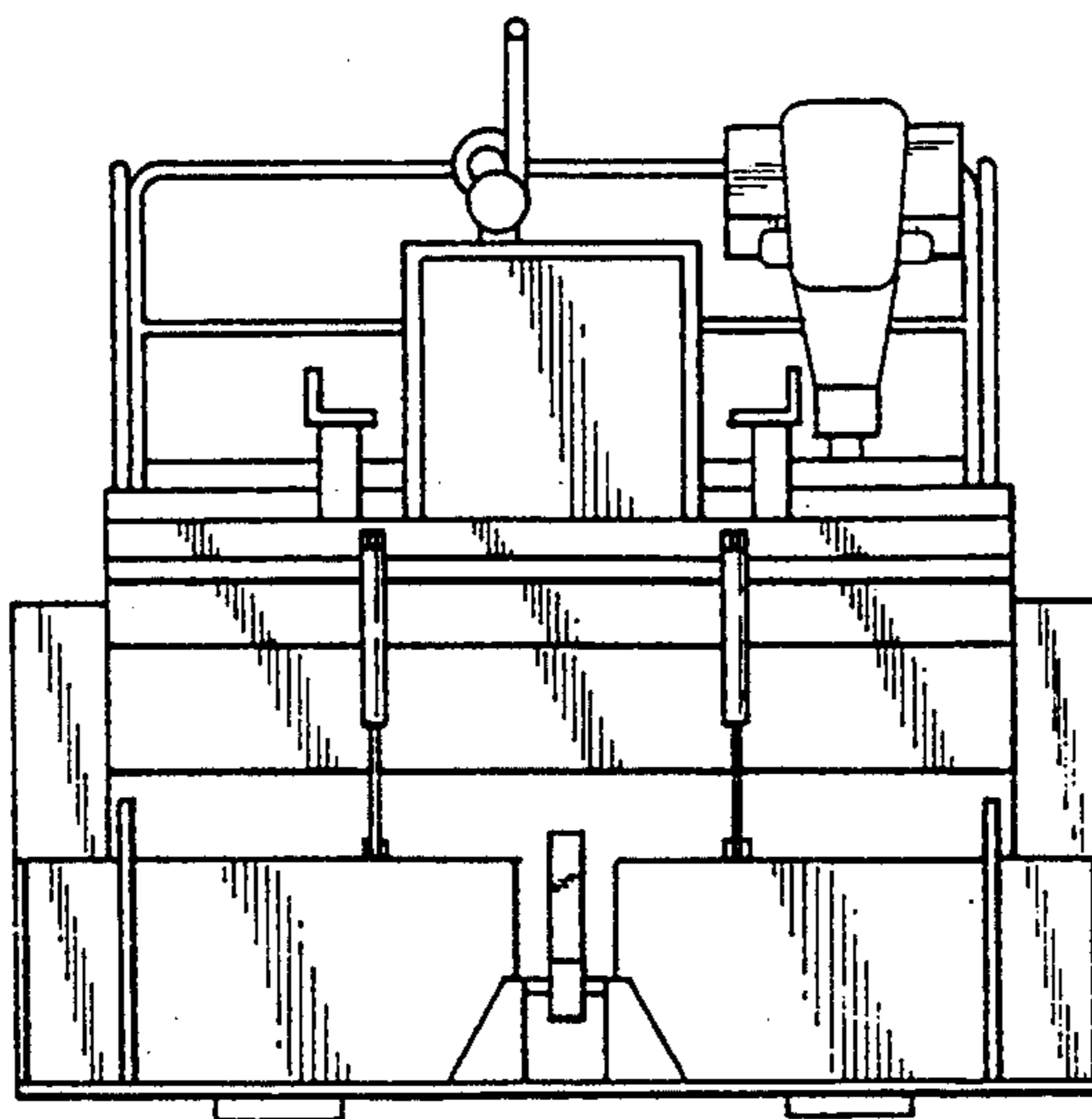


FIG. 11