



US00D362447S

United States Patent [19]

[11] Patent Number: **Des. 362,447**

Lamb

[45] Date of Patent: **** Sep. 19, 1995**

[54] RIDING GREENS MOWER

[75] Inventor: **Mark E. Lamb**, Lincoln, Nebr.

[73] Assignee: **Ransomes America Corporation**,
Lincoln, Nebr.

[**] Term: **14 Years**

[21] Appl. No.: **18,341**

[22] Filed: **Feb. 3, 1994**

[52] U.S. Cl. **D15/15; D15/17**

[58] Field of Search **D15/14-17;**
56/7, 13.4, 15.8, 16.7, 17.1, 17.5, 202, 255, 294,
320.1, 320.2; 180/89.1, 89.2, 900

[56] References Cited

U.S. PATENT DOCUMENTS

D. 242,940	1/1977	Ehrlin et al.	D15/15
D. 249,267	9/1978	Brackin et al.	D15/15
D. 271,020	10/1983	Malmberg et al.	D15/15
D. 331,243	11/1992	Woodhouse	D15/15
D. 340,936	11/1993	Matsuda et al.	D15/15
3,090,184	5/1963	Hadek	56/7
3,103,090	9/1963	Campbell	56/6
3,106,811	10/1963	Heth et al.	56/7
3,339,353	9/1967	Schreyer	56/6
3,404,518	10/1968	Kasper .	
3,425,197	2/1969	Kita	56/10.2
3,429,110	2/1969	Strasel	56/7
3,472,005	10/1969	Profenna	56/6
3,511,033	5/1970	Strasel .	
3,603,065	9/1971	Weber	56/10.5
3,608,284	9/1971	Erdman	56/6
3,612,573	10/1971	Hoffman	56/7
3,613,337	10/1971	Akgulian et al.	56/7
3,668,844	6/1972	Akgulian et al.	56/7
3,729,912	5/1973	Weber	56/320.1
3,731,469	5/1973	Akgulian et al.	56/7
3,742,685	7/1973	Lian et al.	56/7
3,759,019	9/1973	Wells	56/10.5
3,832,835	9/1974	Hall et al.	56/7
3,910,016	10/1975	Saia et al.	56/7
3,918,240	11/1975	Haffner et al.	56/7
3,992,858	11/1976	Hubbard et al.	56/7
4,021,996	5/1977	Barlett et al.	56/7
4,161,858	7/1979	Gerrits	56/7
4,306,402	12/1981	Whimp	56/7
4,325,211	4/1982	Witt et al.	56/15.8
4,330,981	5/1982	Hall et al.	56/7

(List continued on next page.)

OTHER PUBLICATIONS

WO93/12641, Dana R. Lonn et al., Electronic Control for Turf Maintenance Vehicle, Jul. 1993.

(List continued on next page.)

Primary Examiner—Sandra L. Morris
Attorney, Agent, or Firm—Harness, Dickey & Pierce

[57] CLAIM

The ornamental design for a riding greens mower, as shown and described.

DESCRIPTION

FIG. 1 is a front right side perspective view of a riding greens mower, showing my new design, the broken line showing is for illustrative purposes only, and forms no part of the claimed design, where the bottom of the design shown is plain and unornamented;

FIG. 2 is a right side elevational view thereof, the left side being identical;

FIG. 3 is a front elevational view of the riding greens mower shown in FIG. 1;

FIG. 4 is a rear elevational view of the riding greens mower shown in FIG. 1;

FIG. 5 is a top plan view thereof;

FIG. 6 is a front and right side perspective view of a second embodiment of the design shown in FIG. 1;

FIG. 7 is a right side elevational view of FIG. 6, the left side being identical;

FIG. 8 is a front elevational view of the riding greens mower shown in FIG. 6;

FIG. 9 is a rear elevational view of the riding greens mower shown in FIG. 6;

FIG. 10 is a top plan view of FIG. 6;

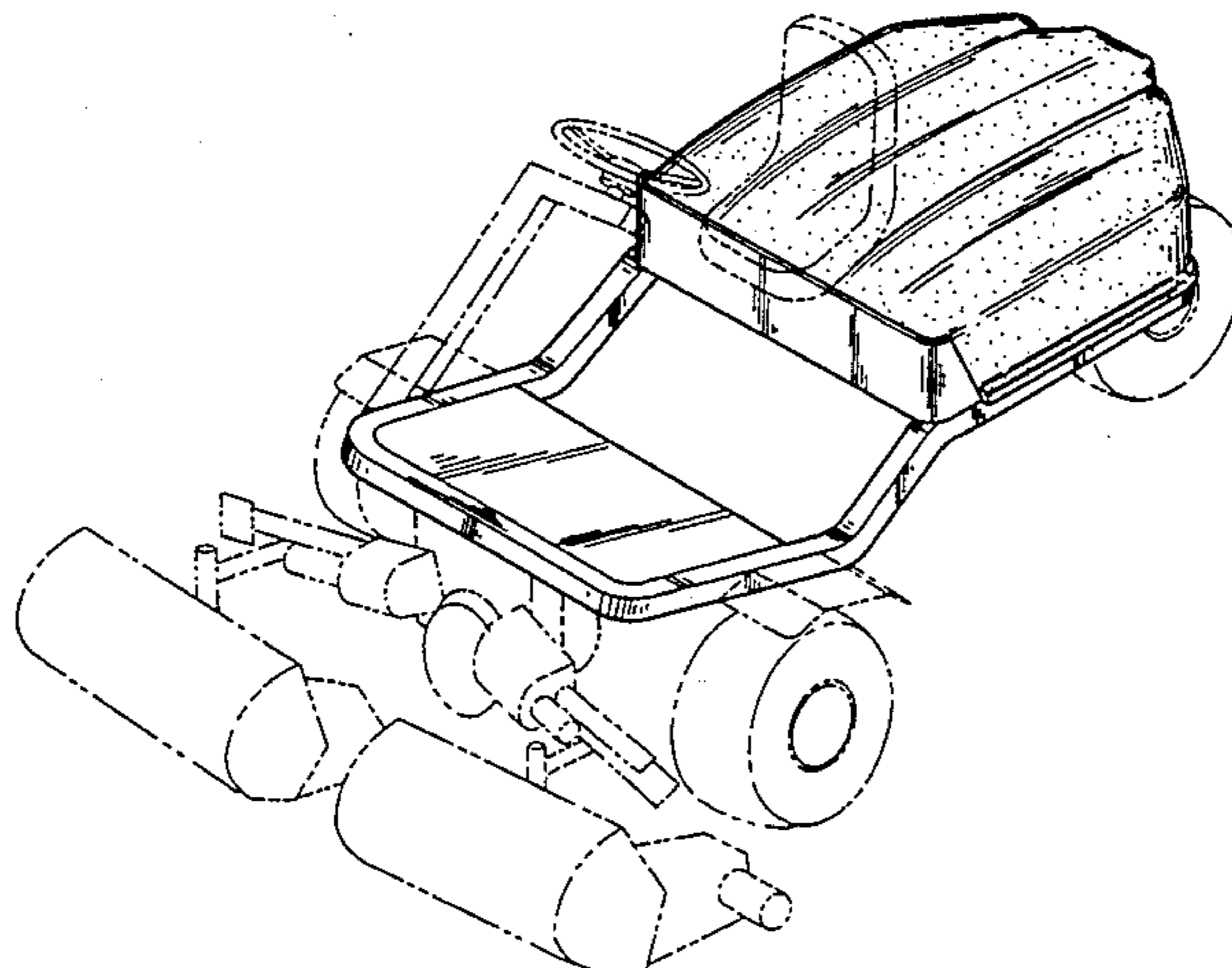
FIG. 11 is a front and right side perspective view of a third embodiment of the design shown in FIG. 1;

FIG. 12 is a right side elevational view of FIG. 11, the left side being identical;

FIG. 13 is a front elevational view of the riding greens mower shown in FIG. 11;

FIG. 14 is a rear elevational view of the riding greens mower shown in FIG. 11; and,

FIG. 15 is a top plan view of FIG. 11.



U.S. PATENT DOCUMENTS

4,370,846	2/1983	Arnold	56/6
4,487,006	12/1984	Scag	56/14.7
4,589,249	5/1986	Walker et al.	56/16.6
4,787,646	11/1988	Kamlukin et al.	56/15.8
4,815,259	3/1989	Scott	56/6
4,835,951	6/1989	Walker	56/202
4,866,917	9/1989	Phillips et al.	56/7
4,920,733	5/1990	Berrios	56/10.9
4,930,298	6/1990	Zenner	56/320.1
4,967,543	11/1990	Song et al.	56/16.8
4,995,227	2/1991	Foster	56/249
5,042,236	8/1991	Lamusga et al.	56/7
5,069,022	12/1991	Vandermark	56/6

OTHER PUBLICATIONS

Ransomes America Corporation, Turf Care Equipment Manual, 1994, portion of section entitled Ransomes Reel (Exhibit 1, 44 pages).

Ransomes America Corp., Turf Care Equipment Manual, 1994, portion of section entitled Mounted/Trailed (Exhibit 2, 6 pages).

Ferris Industries Advertisement for Ferris, Hydrowalk 36, Jan. 1991, Yard and Garden (Jan., 1991), p. 30 (Ex-

hibit 3, 1 page).

Ferris Industries, Advertisement for Hydrowalk 36/48, Jun. 1990 (Exhibit 4, 2 pages).

The Grasshopper Co., Brochure on Grasshopper Model 718/718K, 1988 (Exhibit 5, 2 pages).

Walker Manufacturing Co., Owners Manual for Model MS36-42 and MC36-54, 1987, pp. 1-45 (Exhibit 6, 47 pages).

Gravely International, Brochure for Pro Series, Sep. 1986, pp. 1-10 (Exhibit 7, 11 pages).

Bunton Company, Brochure on Bunton Mowers, 1986, pp. 1-20 (Exhibit 8, 20 pages).

Ferris Industries, Brochure on Pro Cut Mower, date unknown (Exhibit 9, 4 pages).

Wheel Horse, Parts and Service Manual for Dixie Chopper 5018 Magnum, date unknown (Exhibit 10, 3 pages).

Implement & Tractor May 1989 p. 26 Dandl front-mounted flail.

John Deere brochure, published Dec. 1991 cover F525 mower.

John Deere brochure, published Jan. 1992 cover F700 mower.

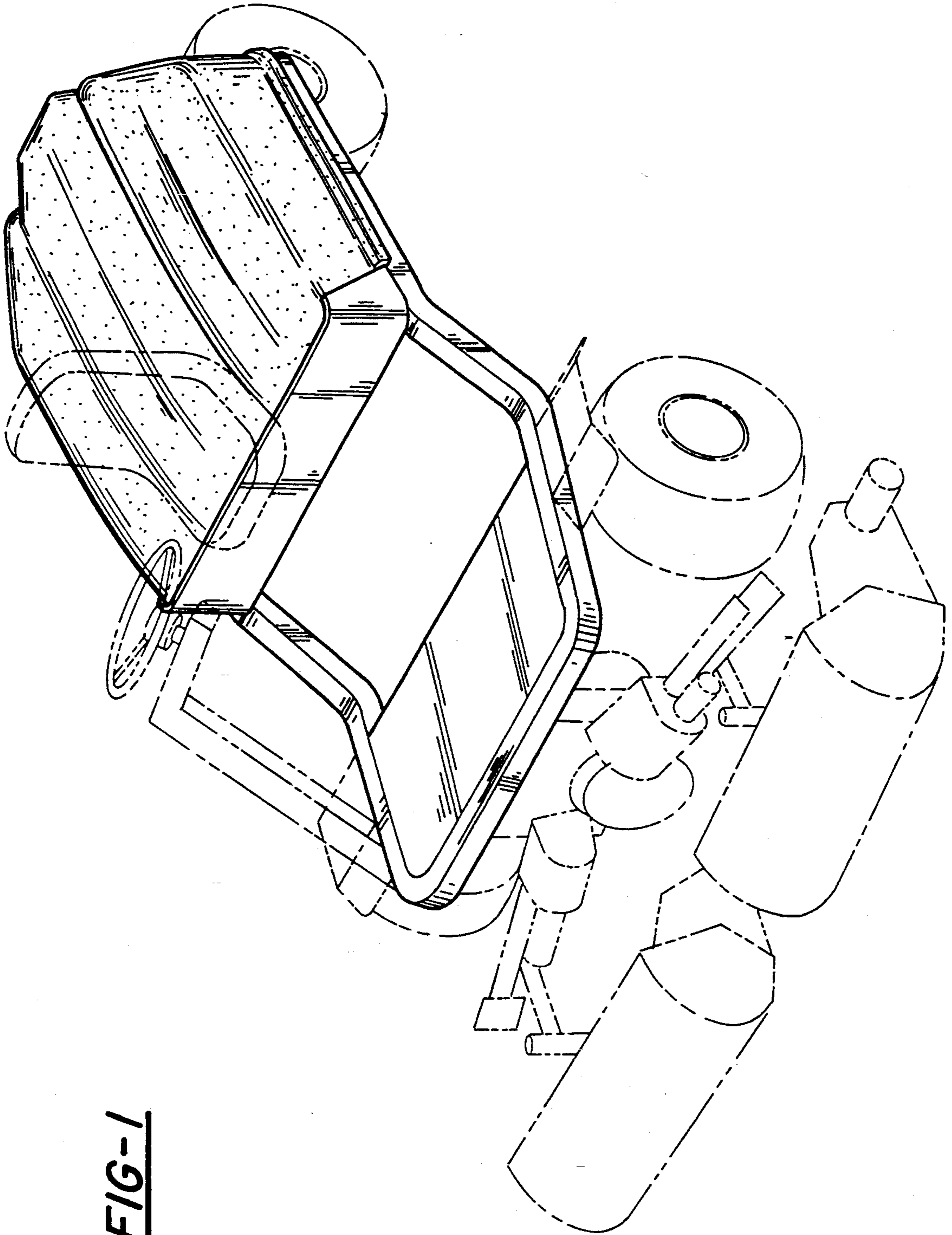


FIG-1

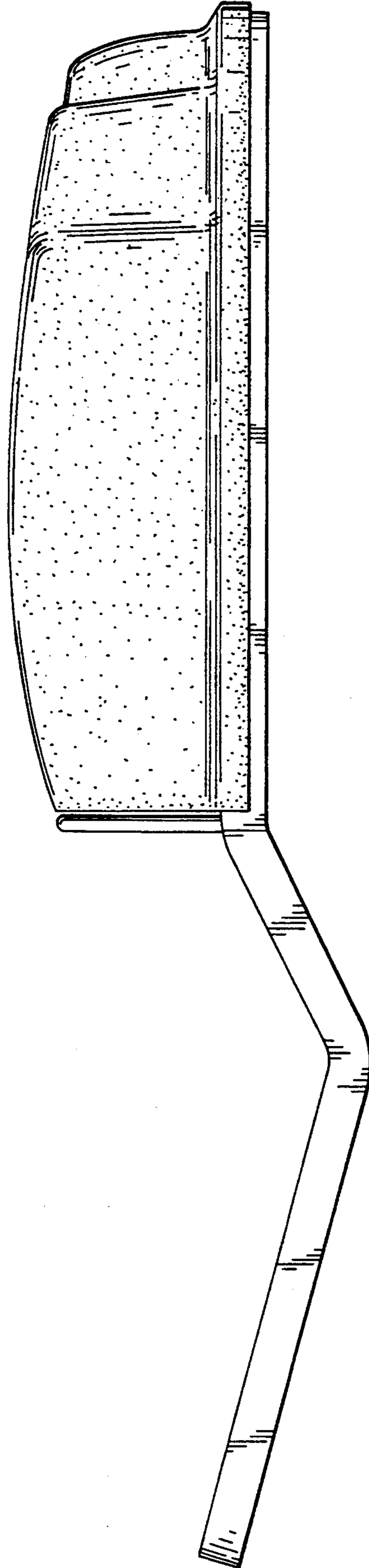


FIG-2

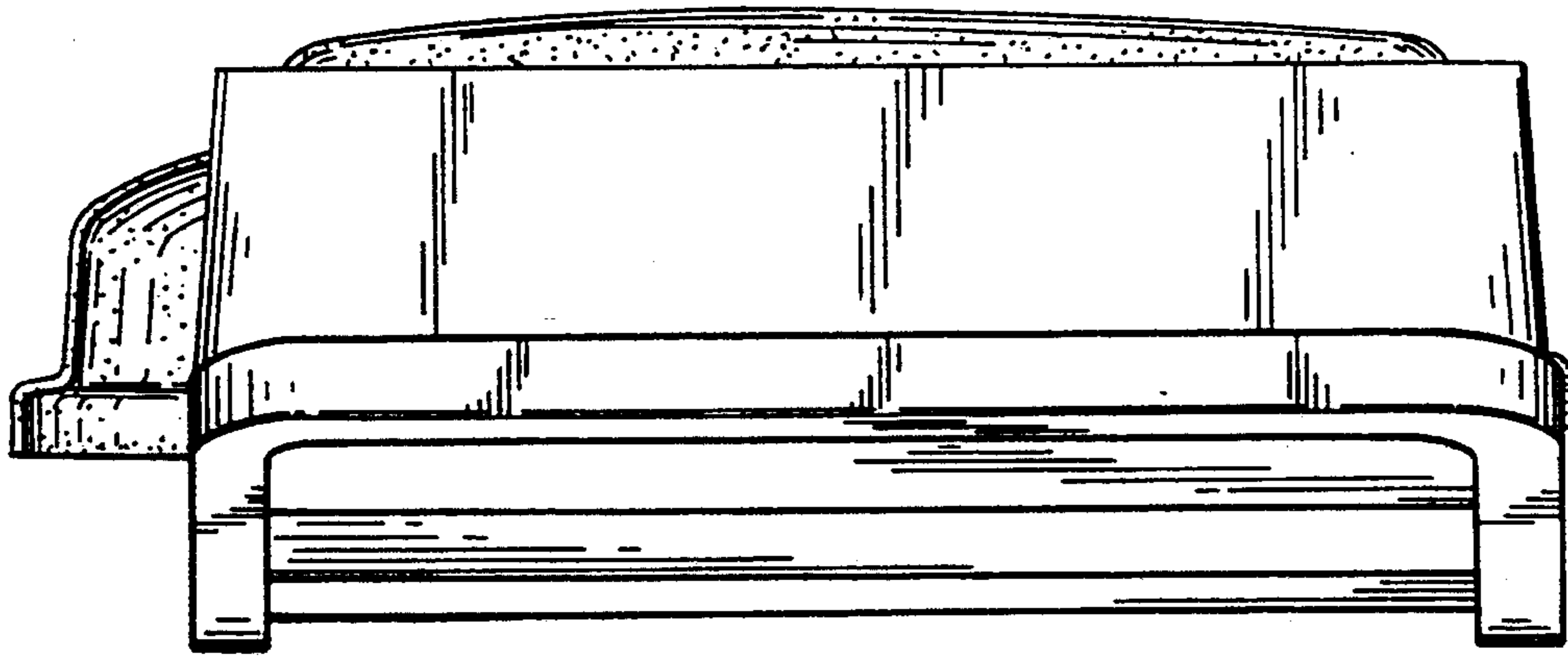


FIG-3

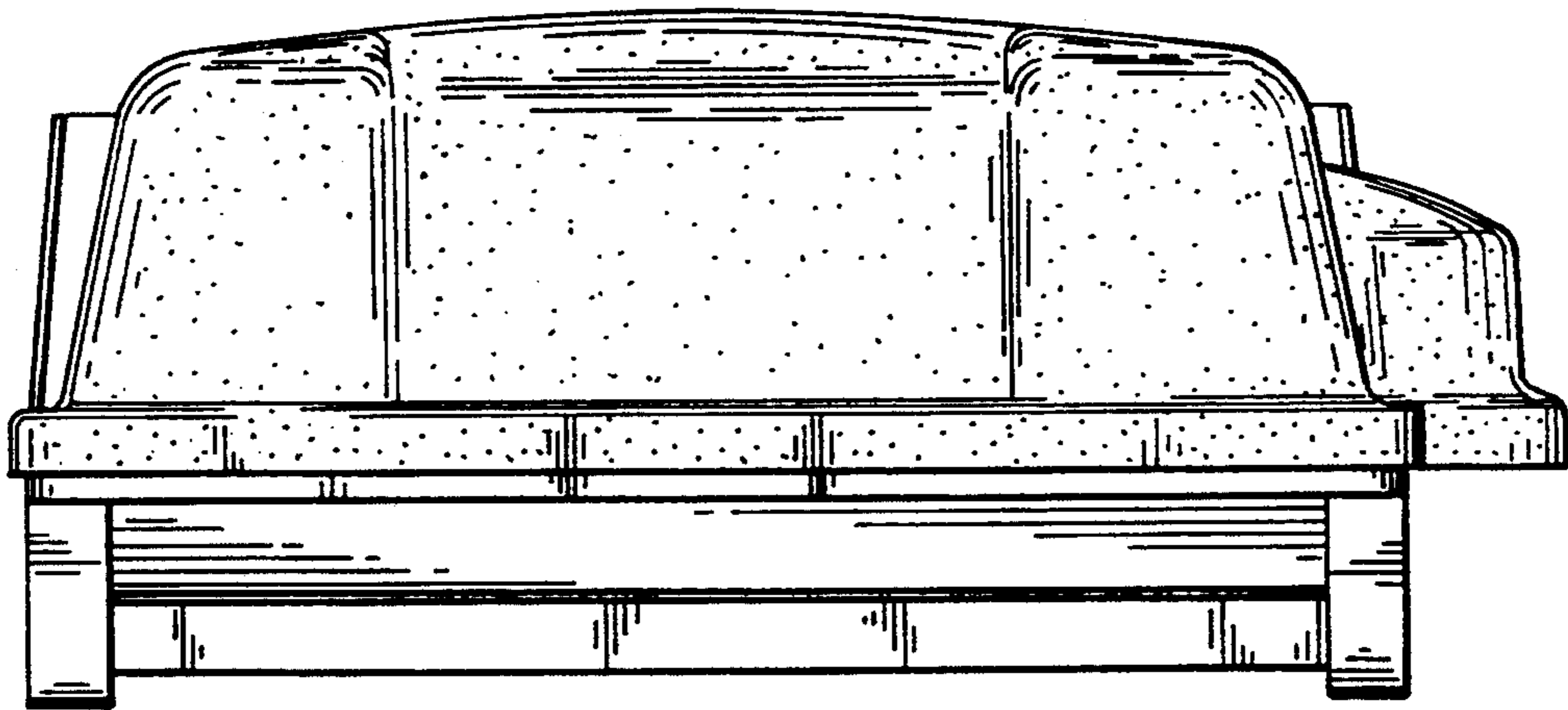


FIG-4

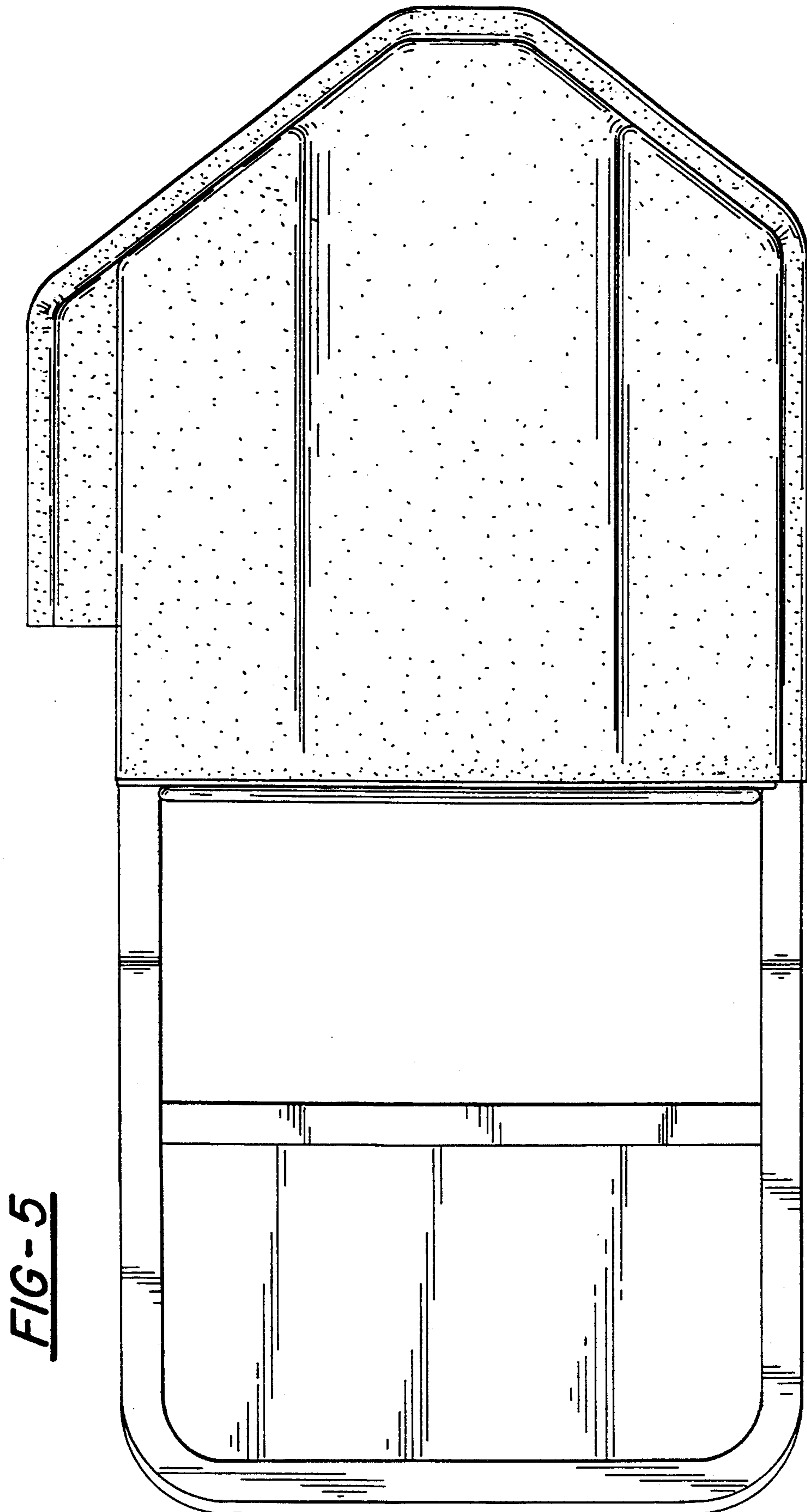


FIG-5

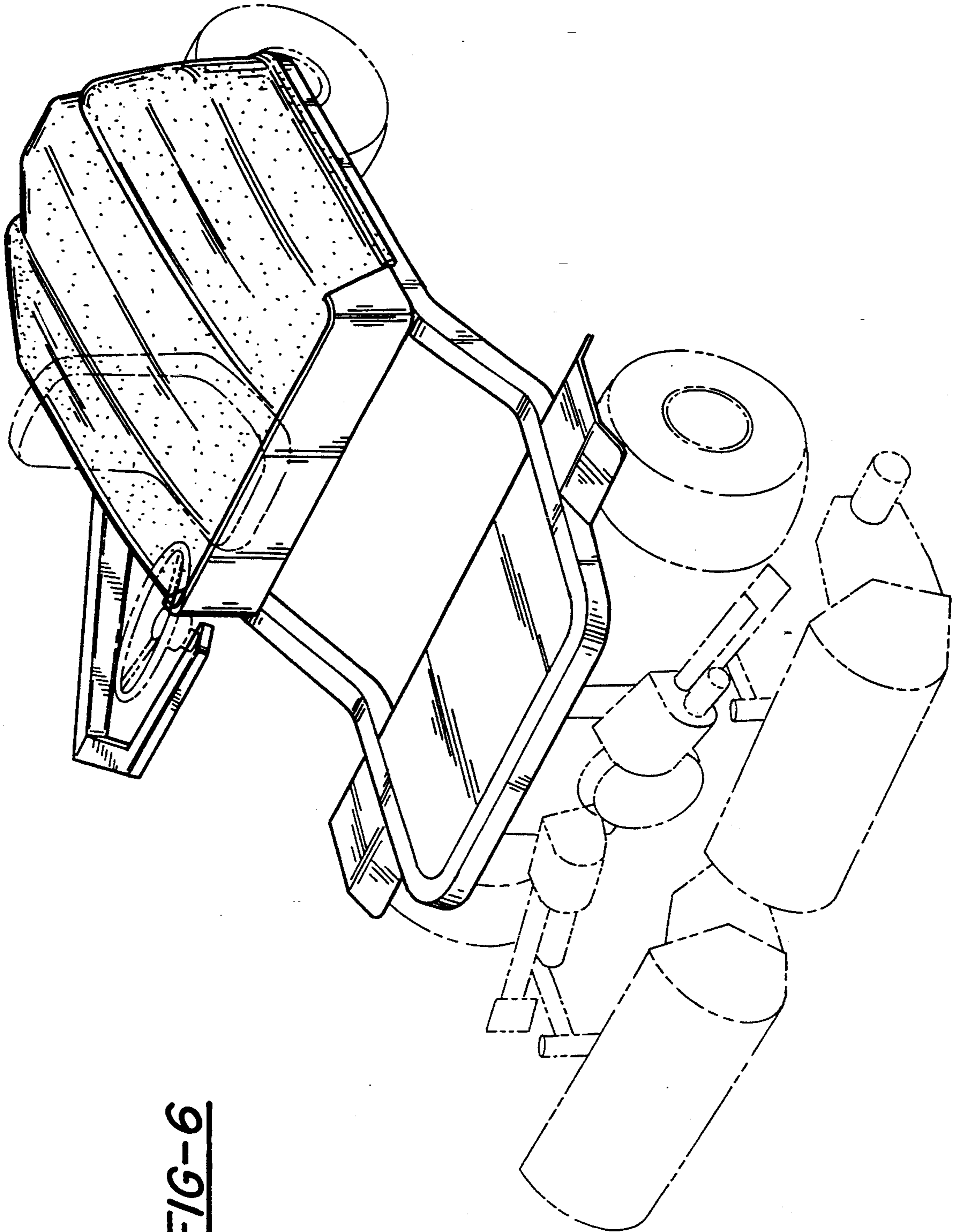


FIG-6

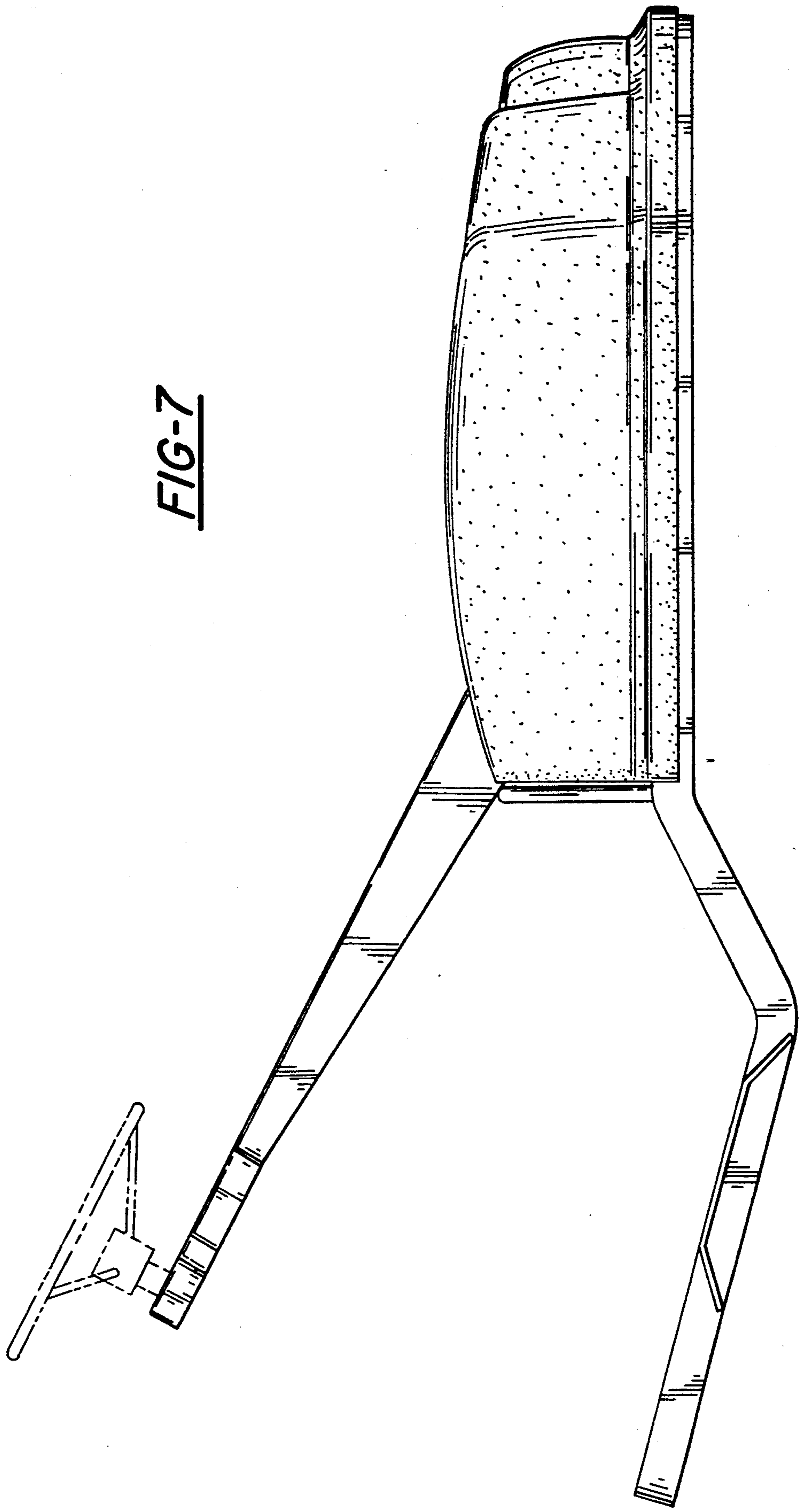
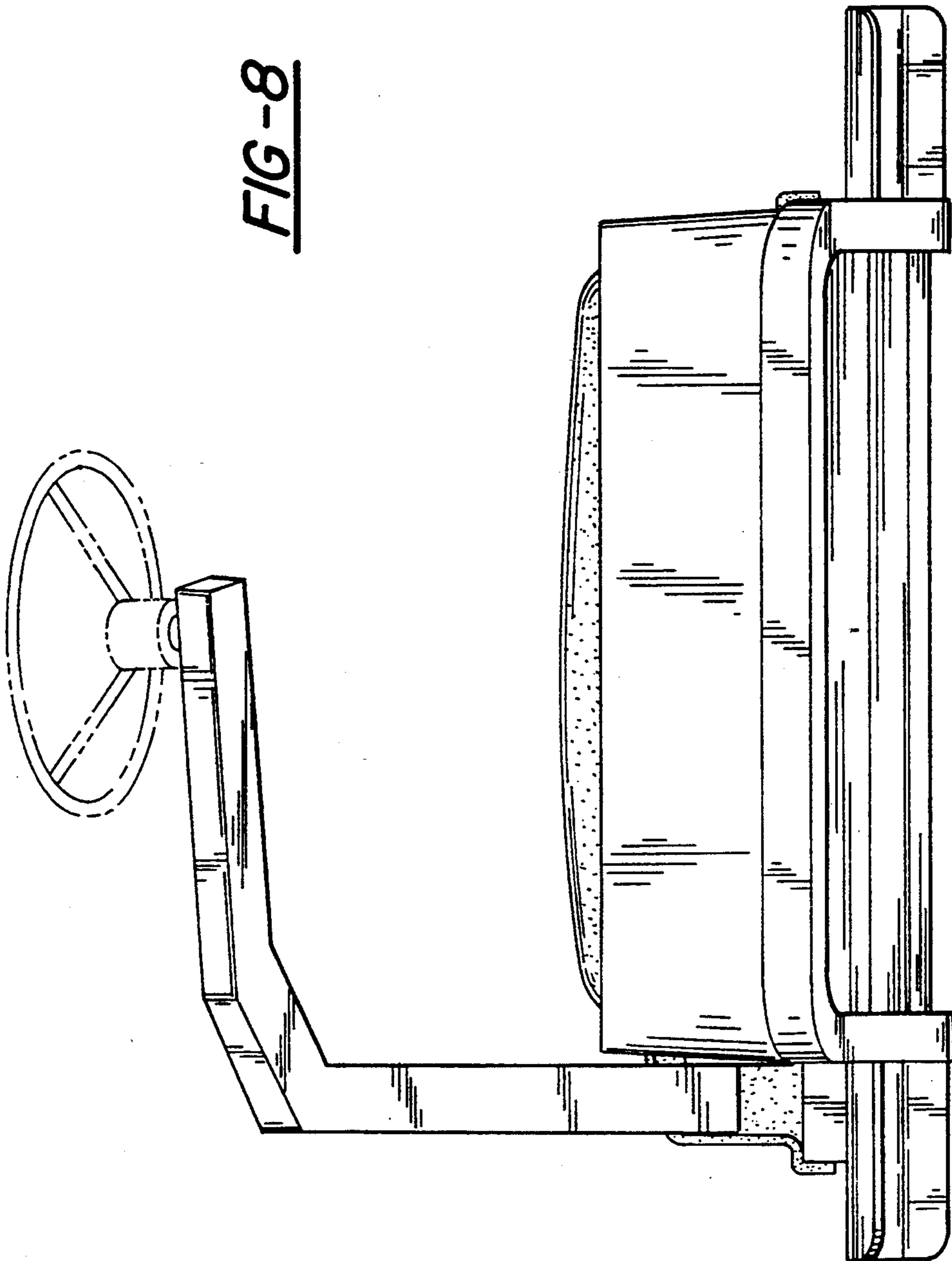


FIG-7

FIG-8



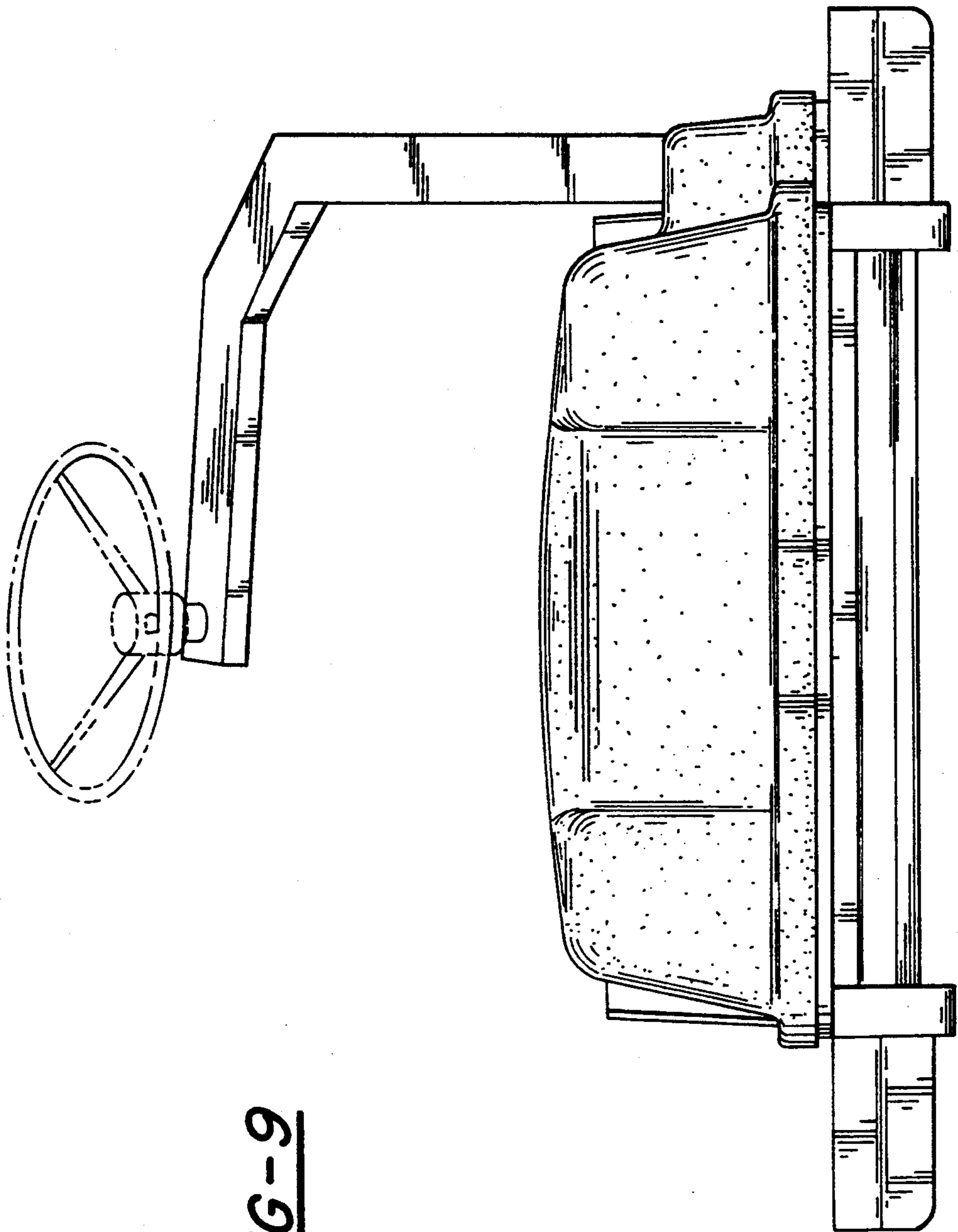


FIG-9

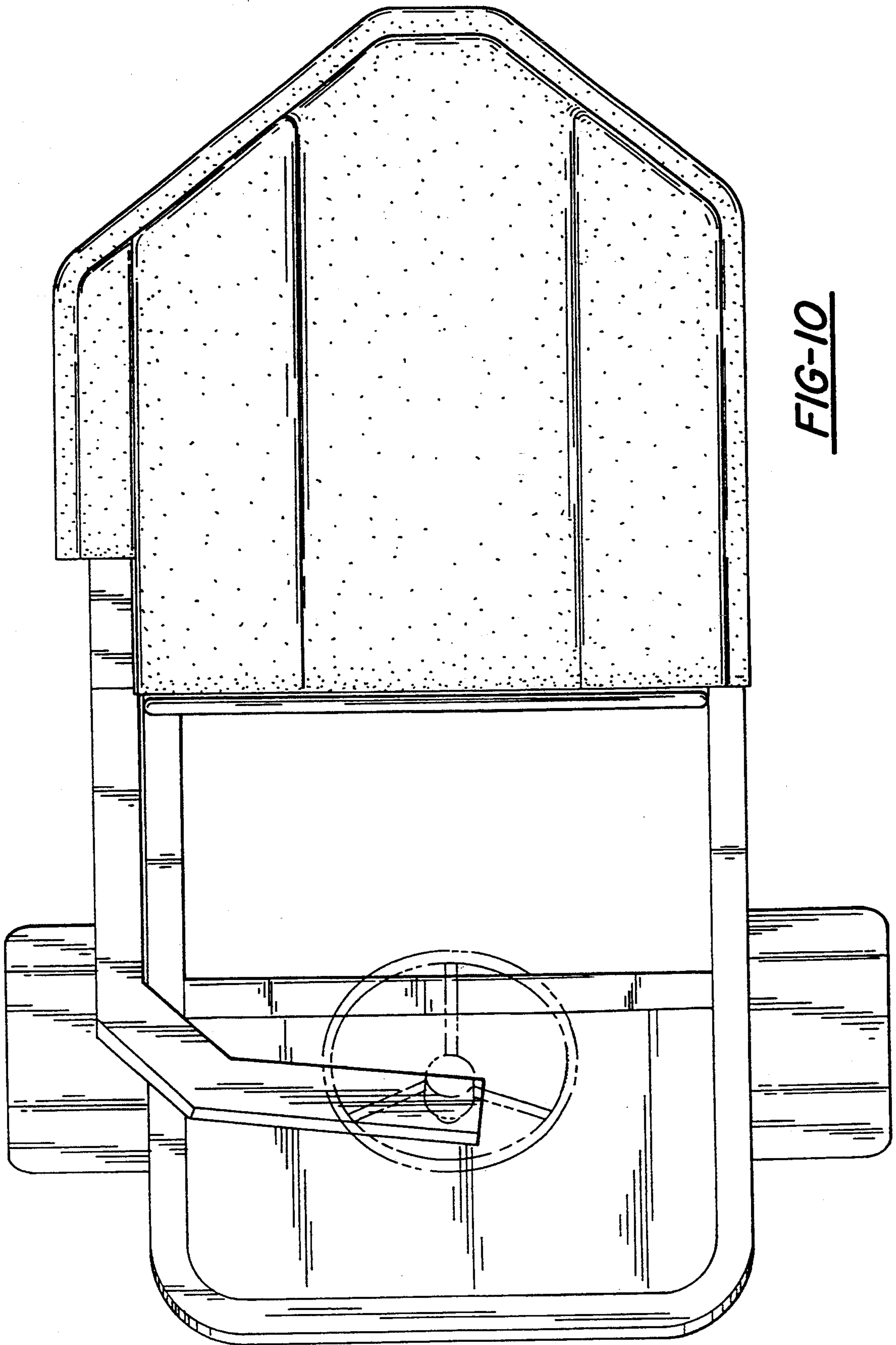


FIG-10

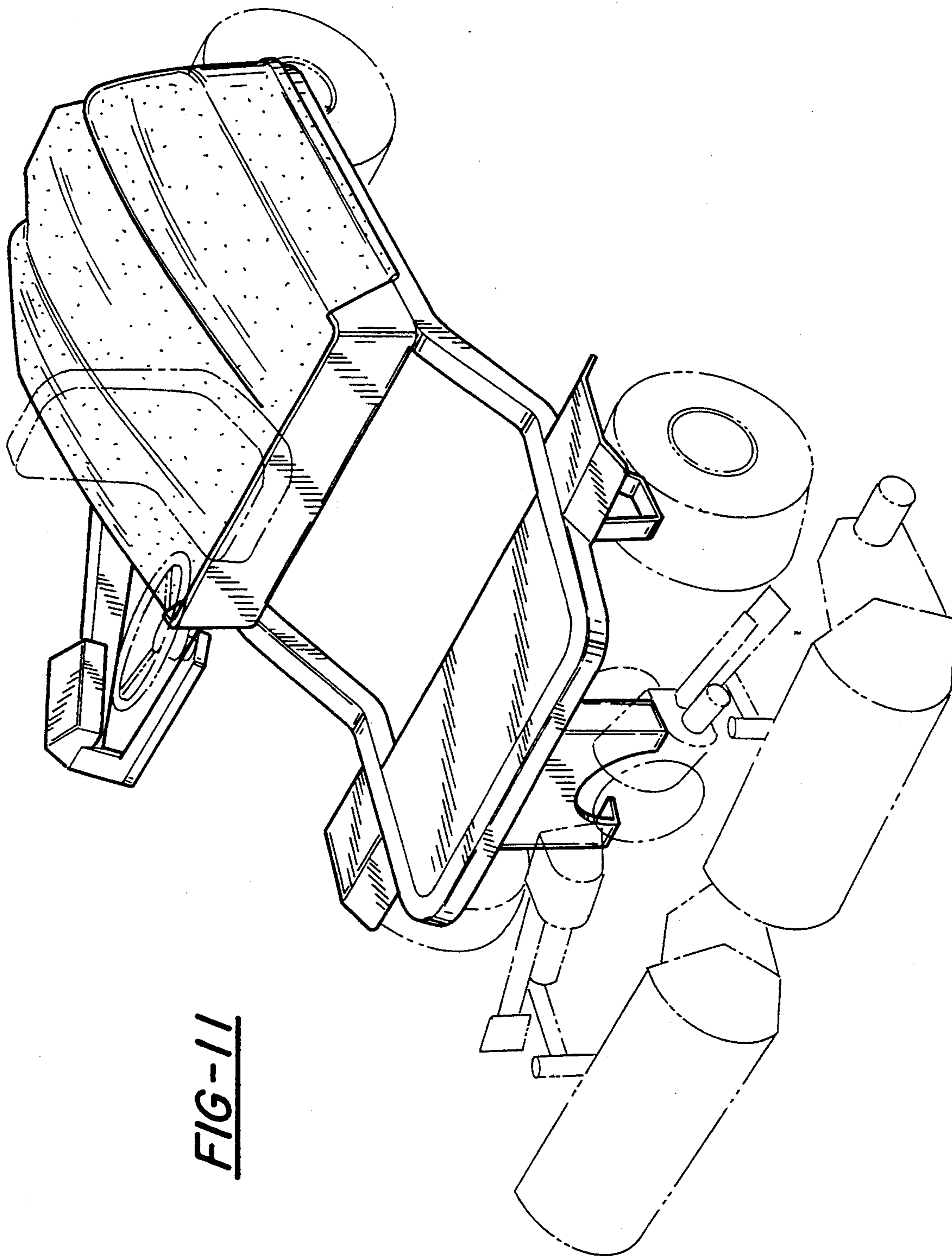


FIG-11

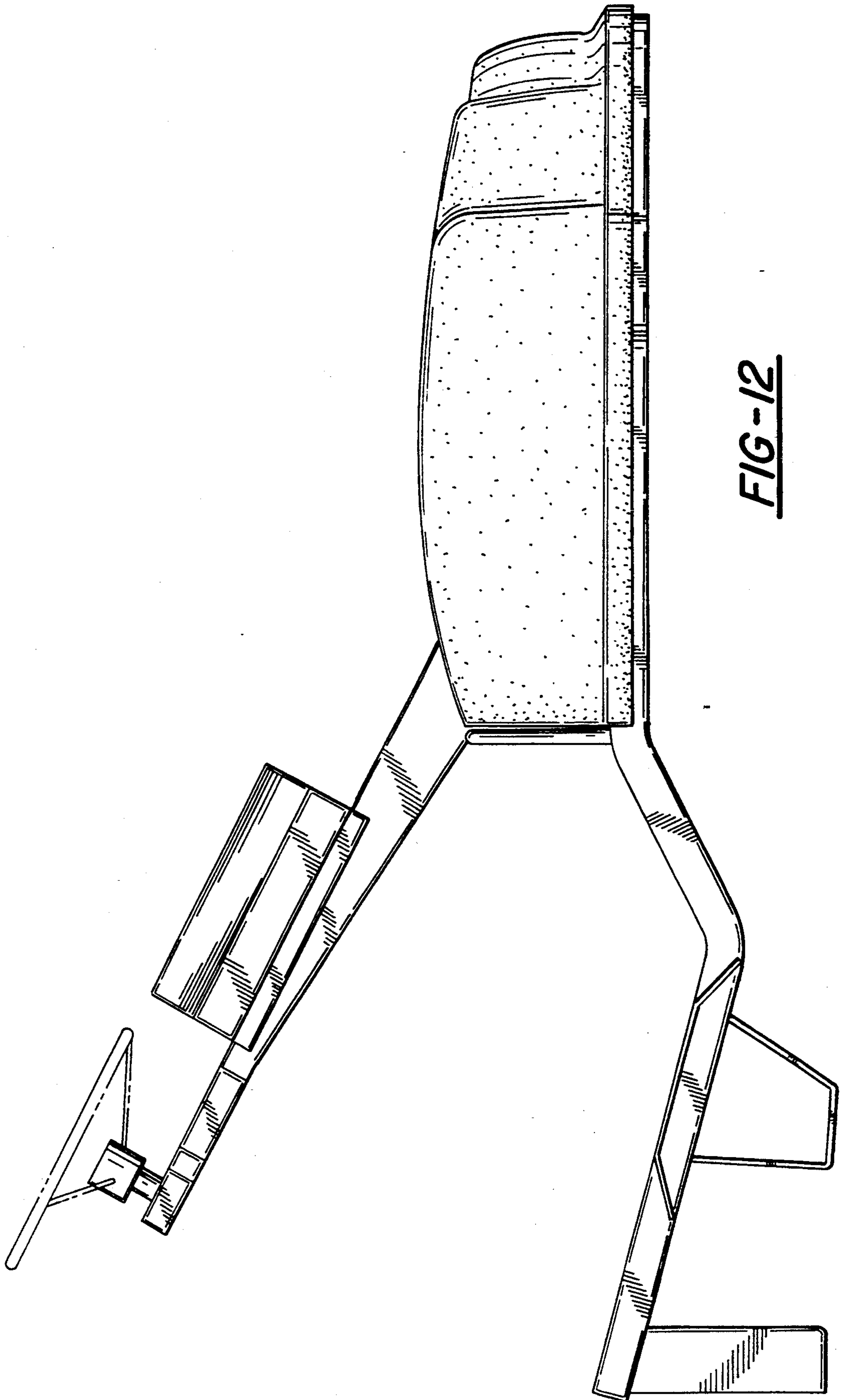


FIG-12

FIG-13

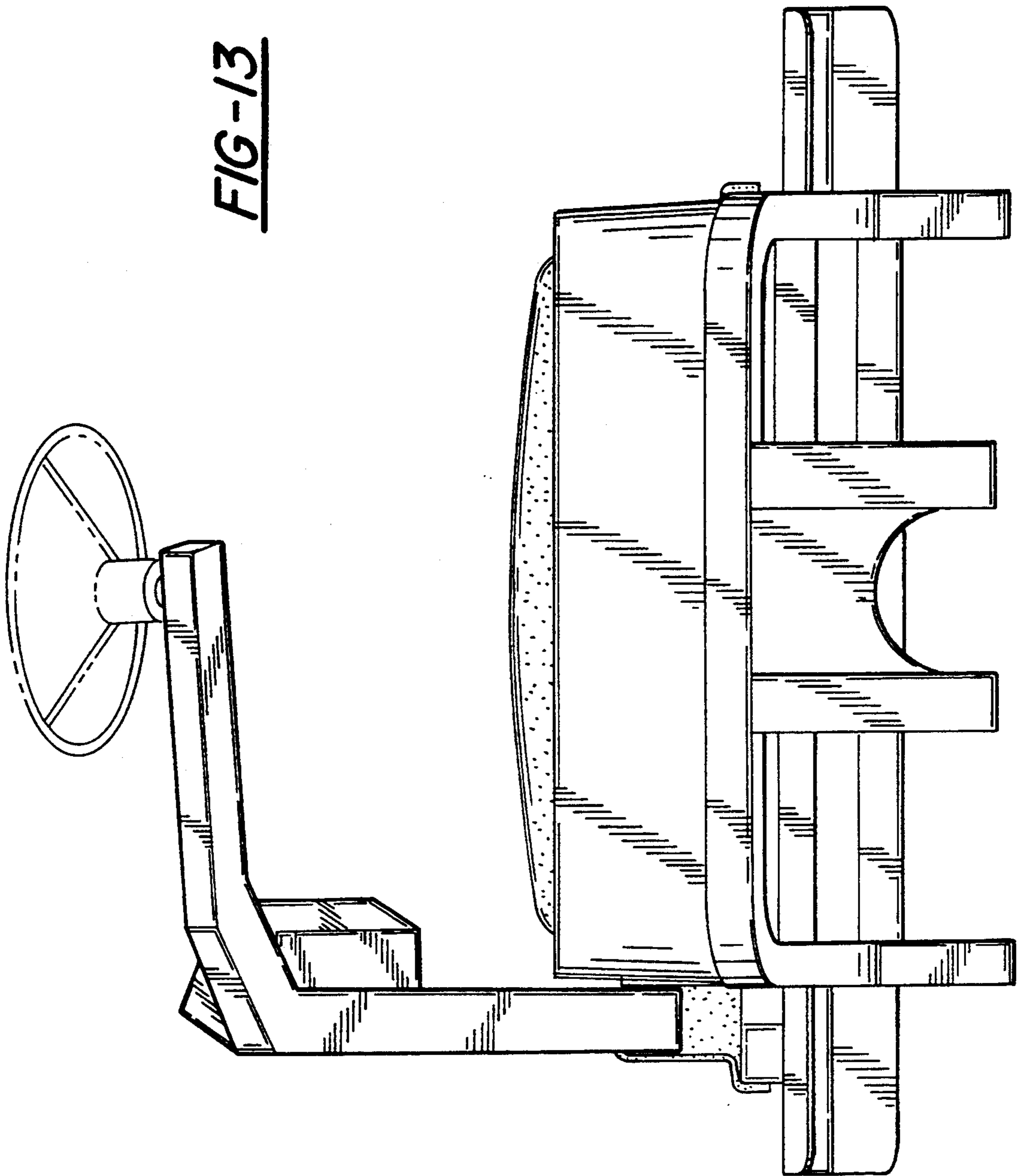


FIG-14

