



US00D362445S

United States Patent [19]

[11] Patent Number: **Des. 362,445**

McClain et al.

[45] Date of Patent: **** Sep. 19, 1995**

[54] **REMOTE COMMUNICATIONS INTERFACE**

[75] Inventors: **Steven A. McClain, Vancouver; John P. Dudych, Burnaby, both of Canada**

[73] Assignee: **TVI Interactive Systems Inc., Burnaby, Canada**

[**] Term: **14 Years**

[21] Appl. No.: **20,682**

[22] Filed: **Mar. 31, 1994**

[52] U.S. Cl. **D14/242; D14/107; D14/218**

[58] Field of Search **D14/100, 107, 114, 240, D14/140, 242, 138, 248, 149, 191, 299, 256, 218; 439/131, 365; 361/683, 686, 679; D13/107, 108, 147, 146; 379/93, 441, 442; 375/8**

[56] **References Cited**

U.S. PATENT DOCUMENTS

- D. 288,434 2/1987 Gemmell D13/147
- D. 289,997 5/1987 Rakocy et al. D13/108
- D. 290,460 6/1987 Pinz et al. D14/240

- D. 291,803 9/1987 Mantell D14/240
- D. 305,230 12/1989 Math D14/299 X
- D. 326,443 5/1992 Ingalsbe D13/147
- D. 327,071 6/1992 Derbyshire D14/256
- D. 336,302 6/1993 Kwang et al. D14/299
- D. 344,710 3/1994 Morgan et al. D14/107
- D. 354,940 1/1995 Speiser et al. D13/147 X
- 5,097,388 3/1992 Buist et al. 361/686

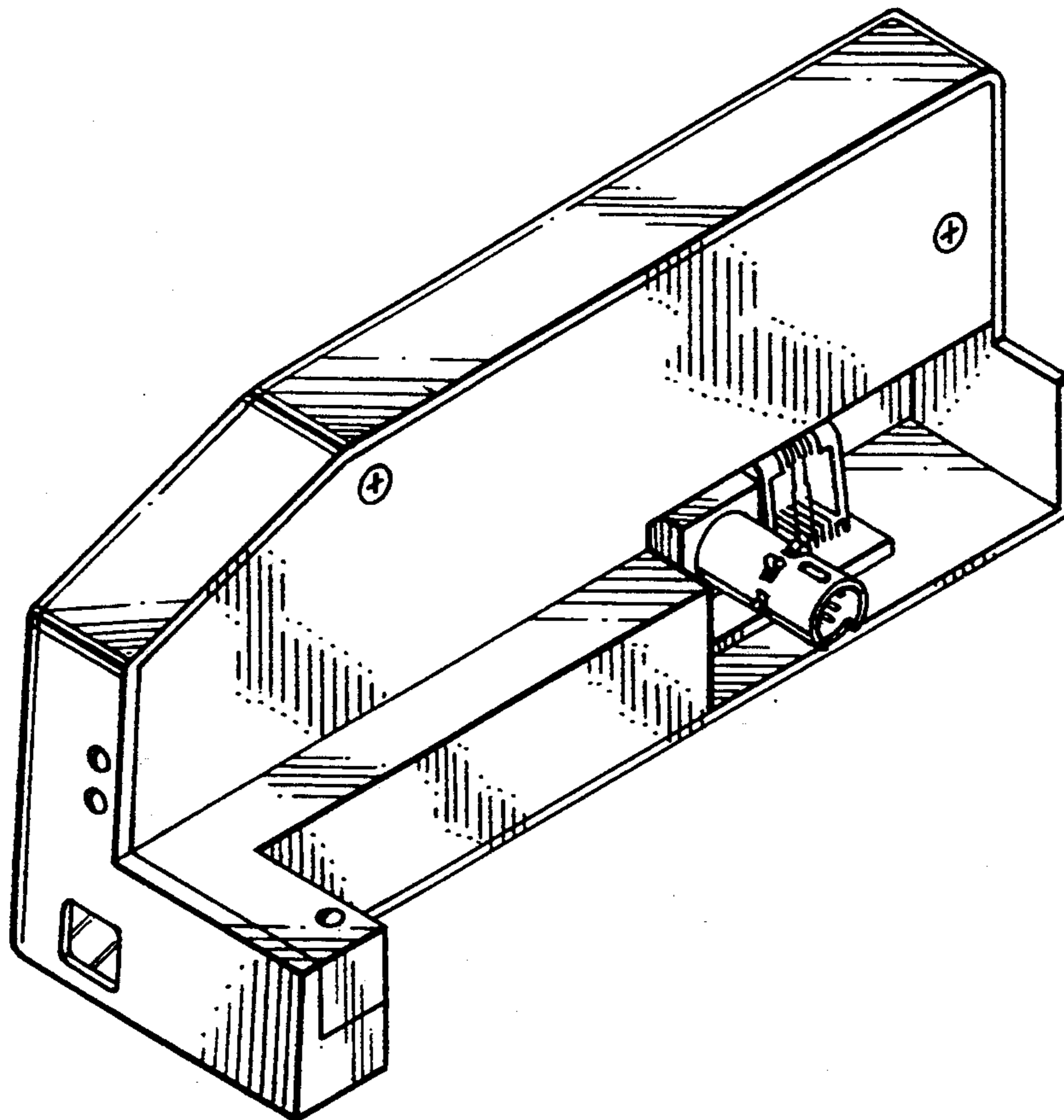
Primary Examiner—Jeffrey Asch
Attorney, Agent, or Firm—Bull, Housser & Tupper

[57] **CLAIM**

The ornamental design for remote communications interface, as shown.

DESCRIPTION

FIG. 1 is a top perspective view of a remote communications interface showing our new design; FIG. 2 is a right side elevational view thereof; FIG. 3 is a left side elevational view thereof; FIG. 4 is a front elevational view thereof; FIG. 5 is a rear elevational view thereof; FIG. 6 is a top plan view thereof; and, FIG. 7 is a bottom plan view thereof.



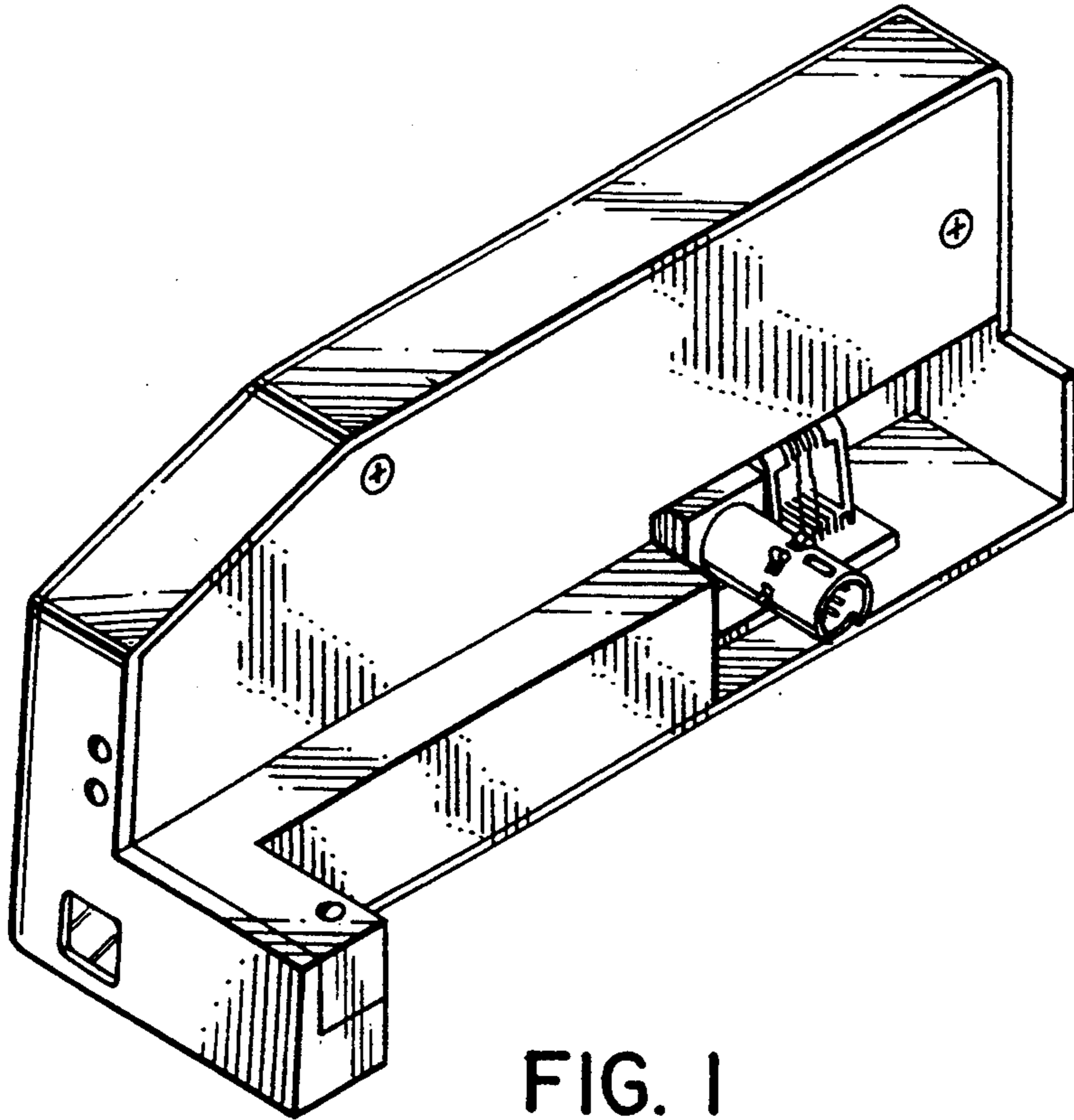


FIG. 1

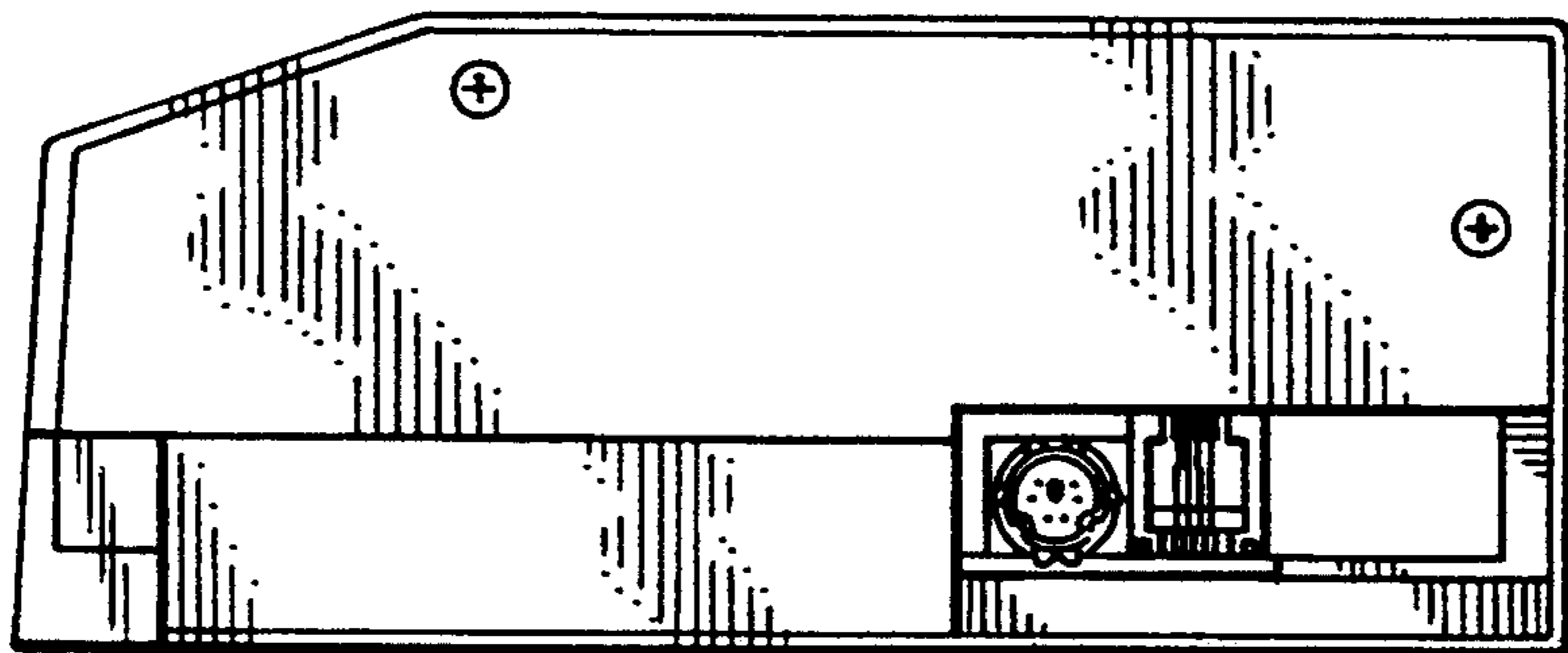


FIG. 2

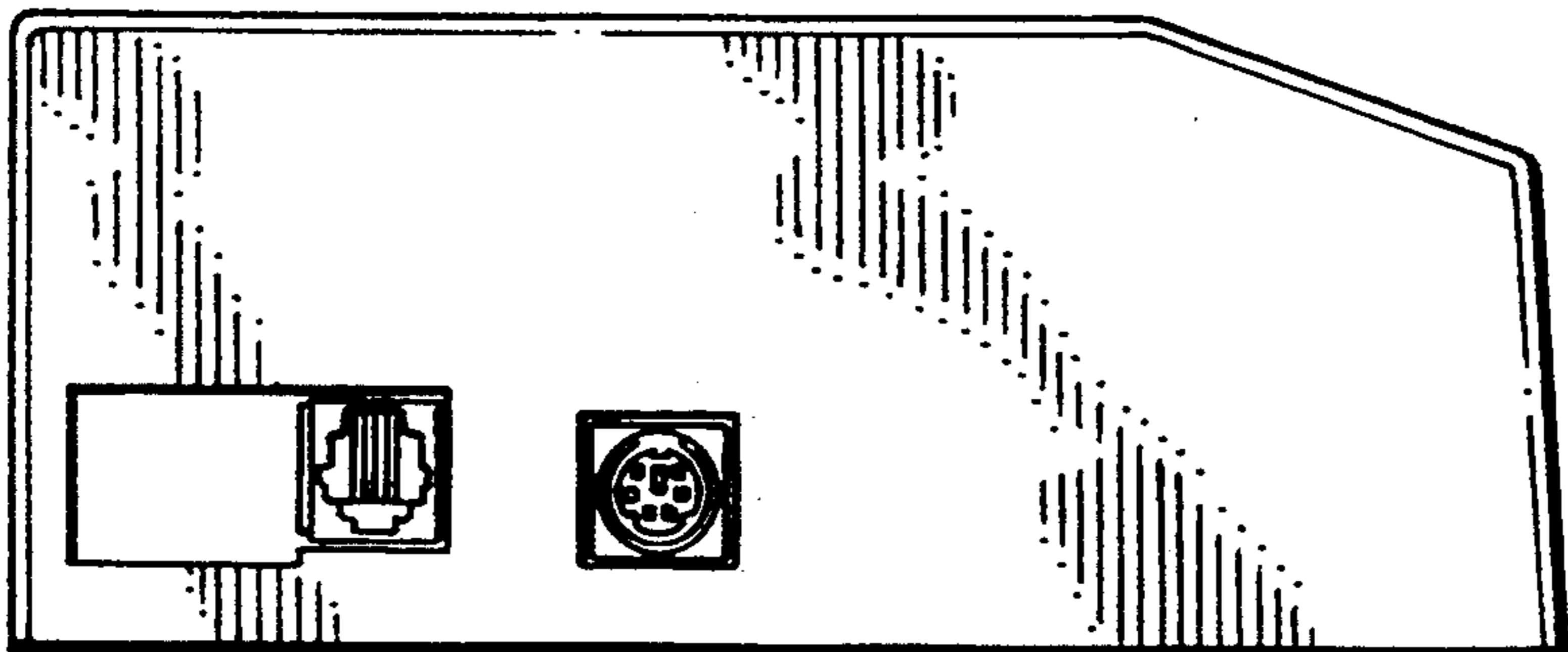


FIG. 3

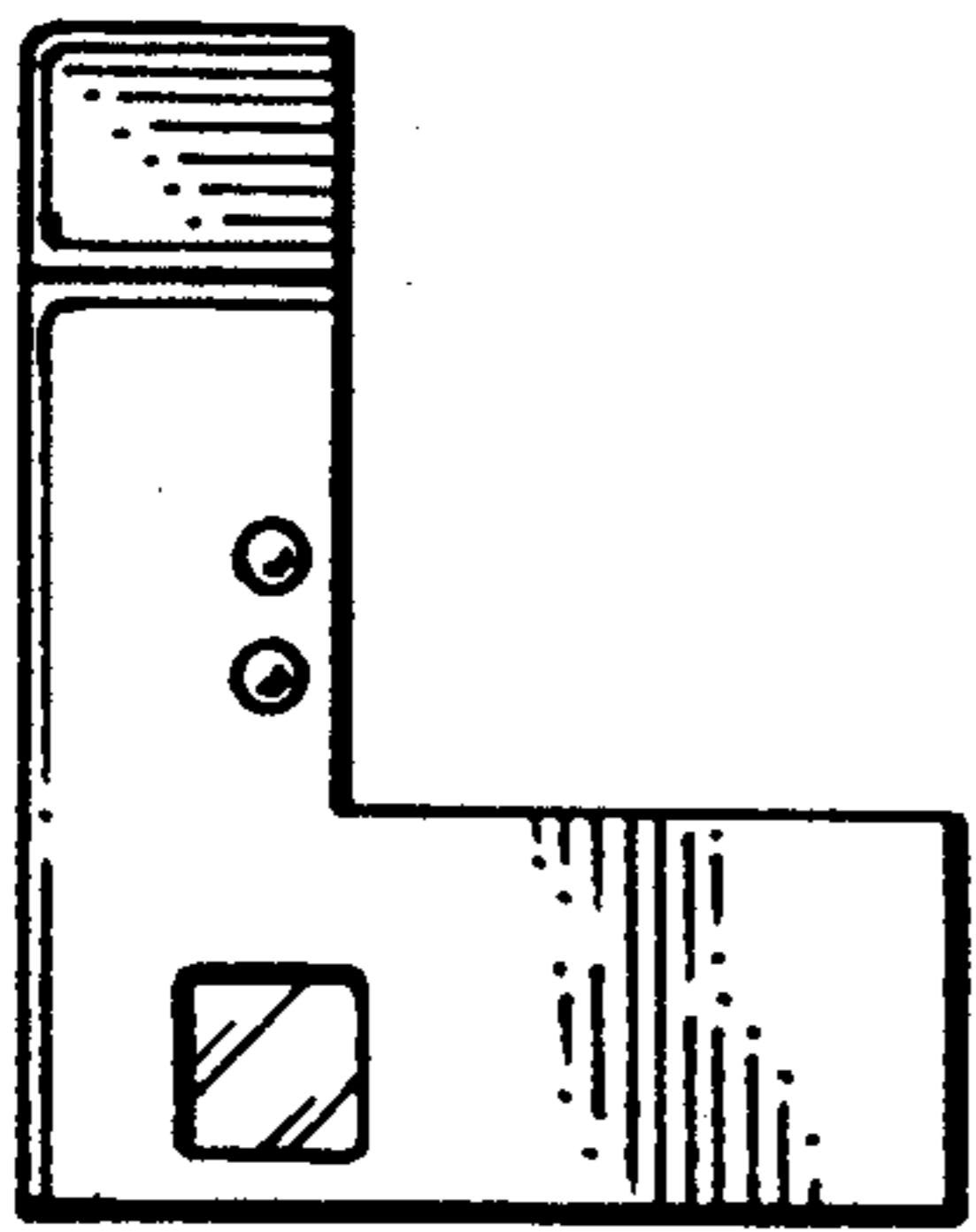


FIG. 4

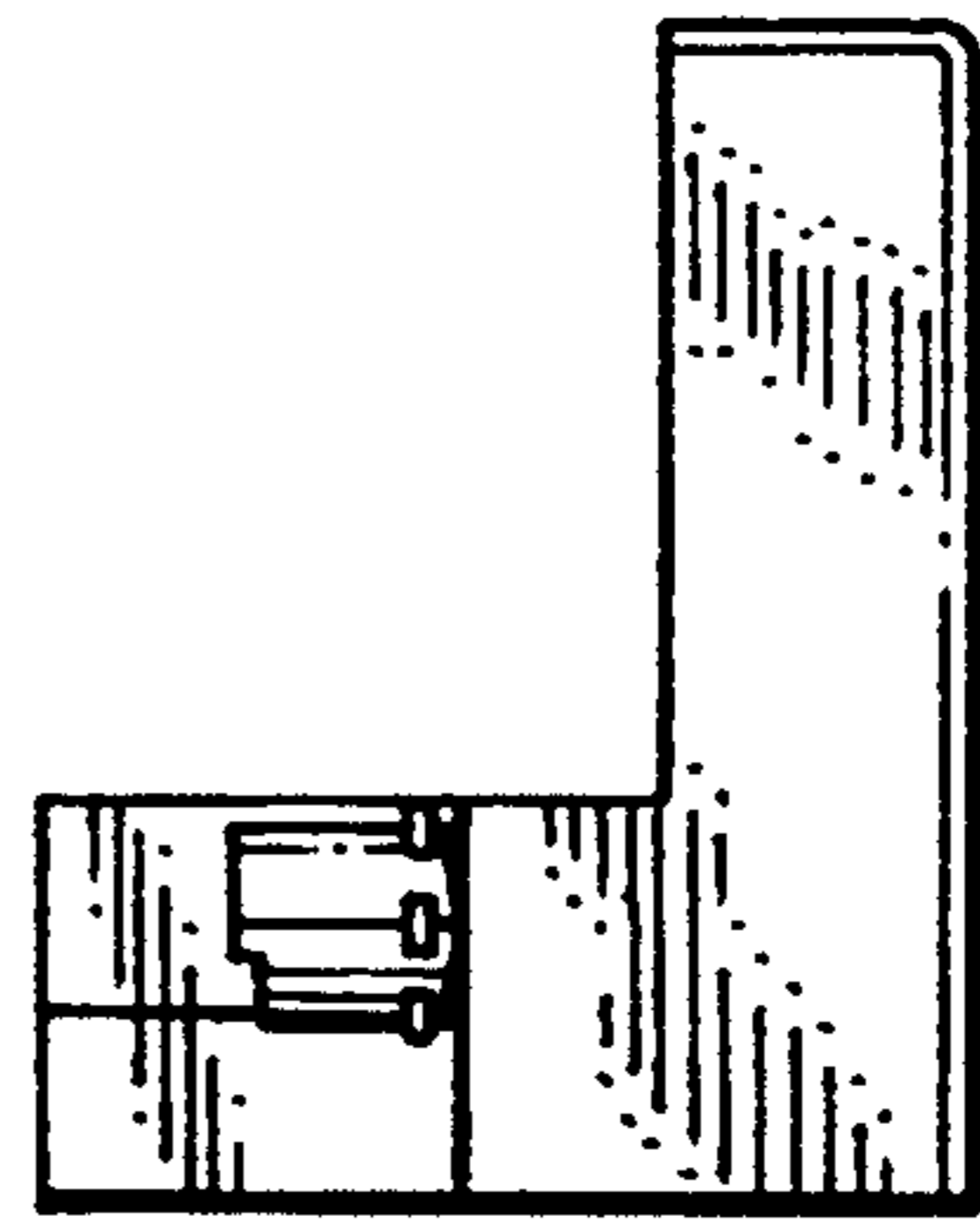


FIG. 5

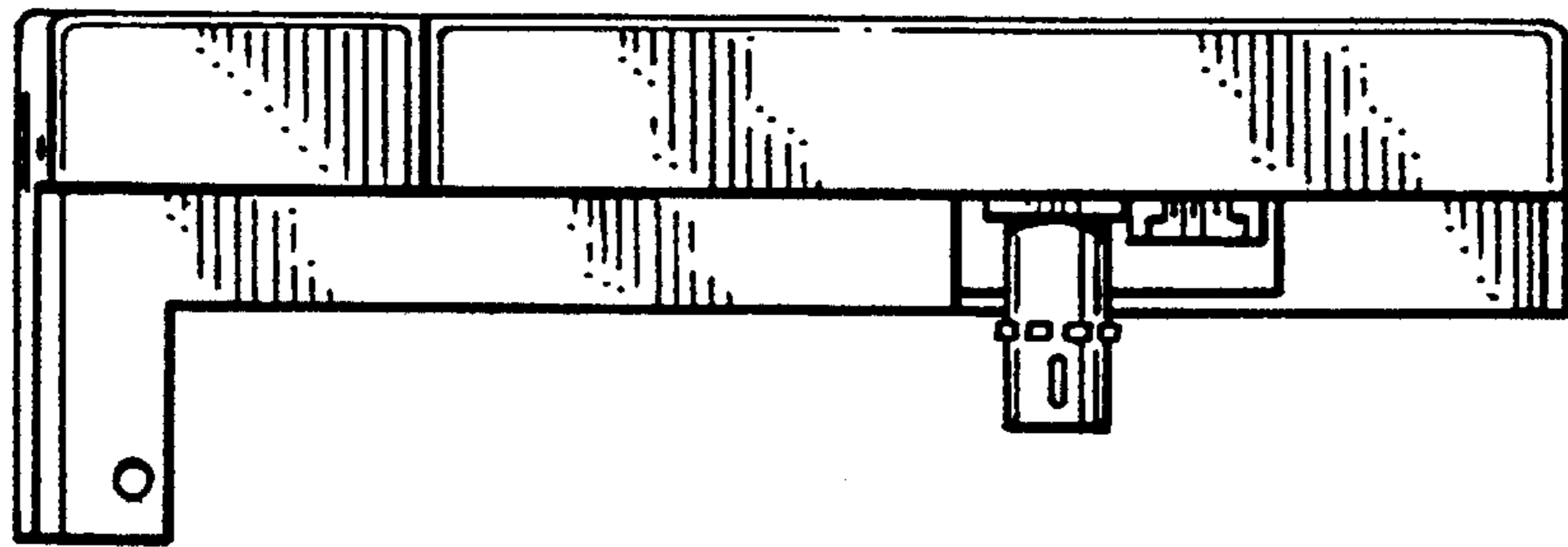


FIG. 6

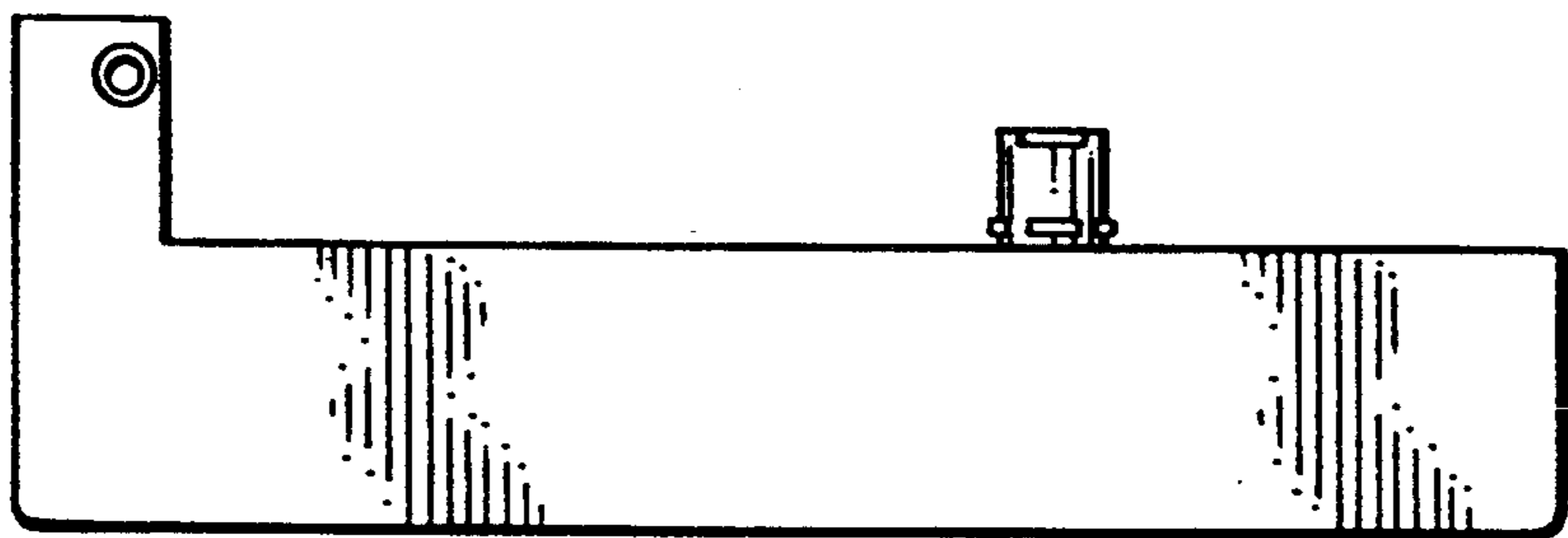


FIG. 7