



US00D362444S -

United States Patent [19]

[11] Patent Number: **Des. 362,444**

Schneeman

[45] Date of Patent: **** Sep. 19, 1995**

[54] **SMALL PARABOLIC SATELLITE ANTENNA**

[75] Inventor: **Lloyd R. Schneeman, Indianapolis, Ind.**

[73] Assignee: **Thomson Consumer Electronics, Inc., Indianapolis, Ind.**

[**] Term: **14 Years**

[21] Appl. No.: **26,918**

[22] Filed: **Aug. 9, 1994**

[52] U.S. Cl. **D14/231**

[58] Field of Search **D14/230, 231; 343/720, 343/761, 781 R, 900, 901, 907, 908, 912**

[56] **References Cited**

U.S. PATENT DOCUMENTS

2,836,818	5/1958	DeVirgilis	343/720
2,964,746	12/1960	Trudnak, Jr. et al.	343/720
4,639,734	1/1987	Schock	343/912

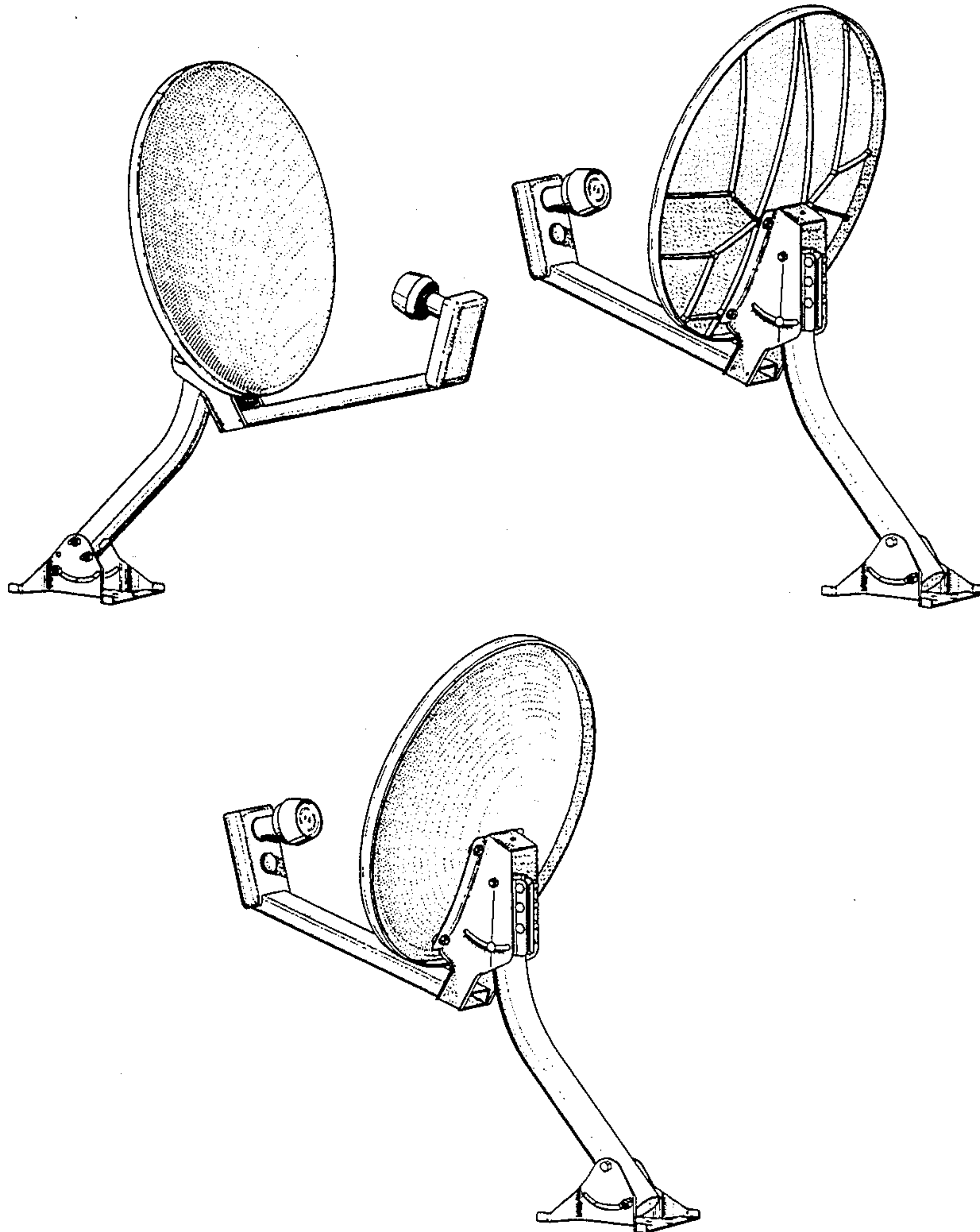
Primary Examiner—Dominic Simone
Attorney, Agent, or Firm—Woodard, Emhardt, Naughton, Moriarty & McNett

[57] **CLAIM**

The ornamental design for a small parabolic satellite antenna, as shown and described.

DESCRIPTION

FIG. 1 is a front elevational view of a small parabolic satellite antenna, showing my new design;
 FIG. 2 is a top plan view thereof;
 FIG. 3 is a right side elevational view thereof;
 FIG. 4 is a left side elevational view thereof;
 FIG. 5 is a rear elevational view thereof;
 FIG. 6 is a bottom plan view thereof;
 FIG. 7 is a left front perspective view thereof;
 FIG. 8 is a left rear perspective view thereof;
 FIG. 9 is a front elevational view of a second embodiment of FIG. 1;
 FIG. 10 is a top plan view of FIG. 9;
 FIG. 11 is a right side elevational view of FIG. 9;
 FIG. 12 is a left side elevational view of FIG. 9;
 FIG. 13 is a rear elevational view of FIG. 9;
 FIG. 14 is a bottom plan view of FIG. 9;
 FIG. 15 is a left front perspective view of FIG. 9; and,
 FIG. 16 is a left rear perspective view of FIG. 9.



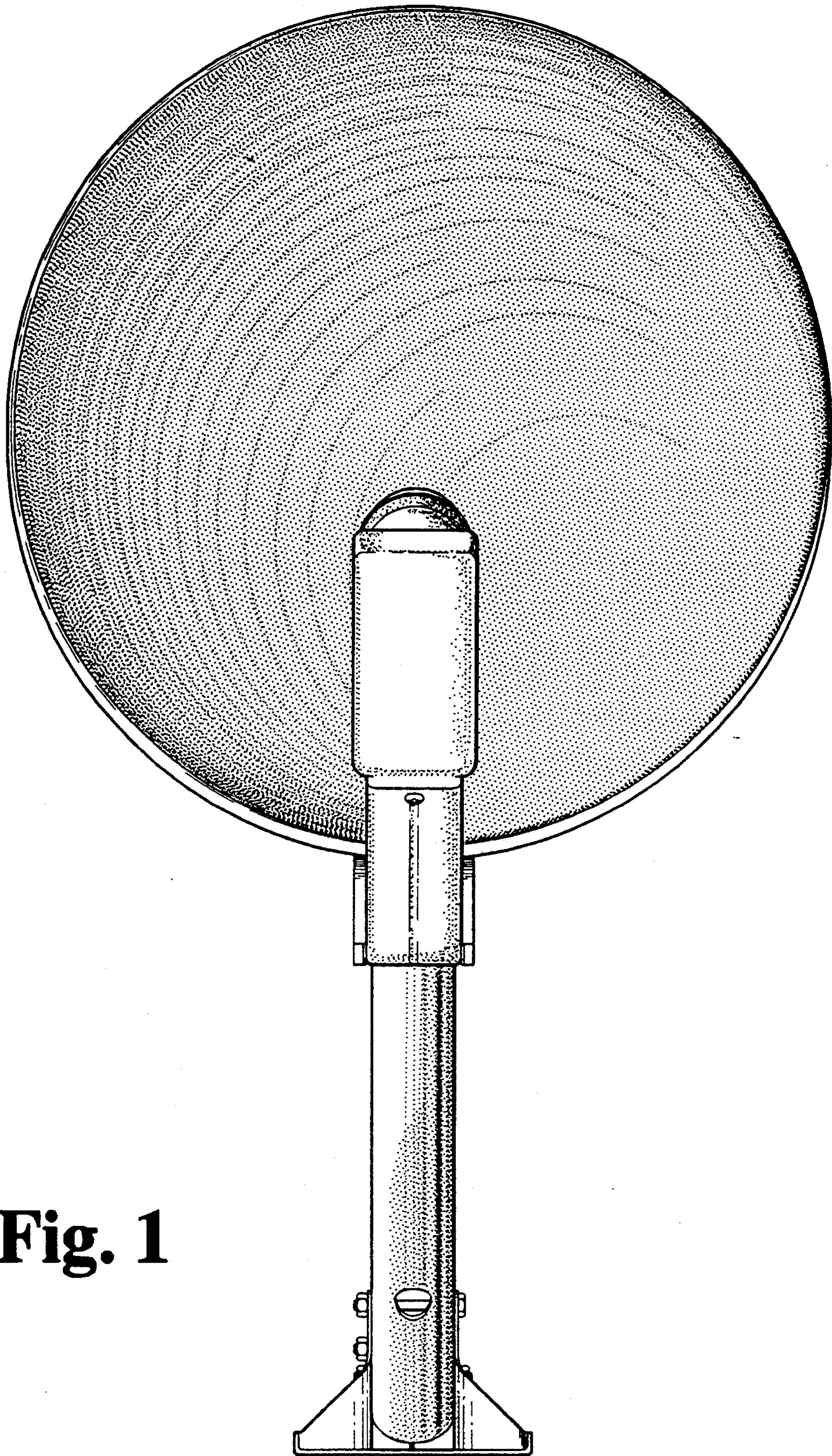


Fig. 1

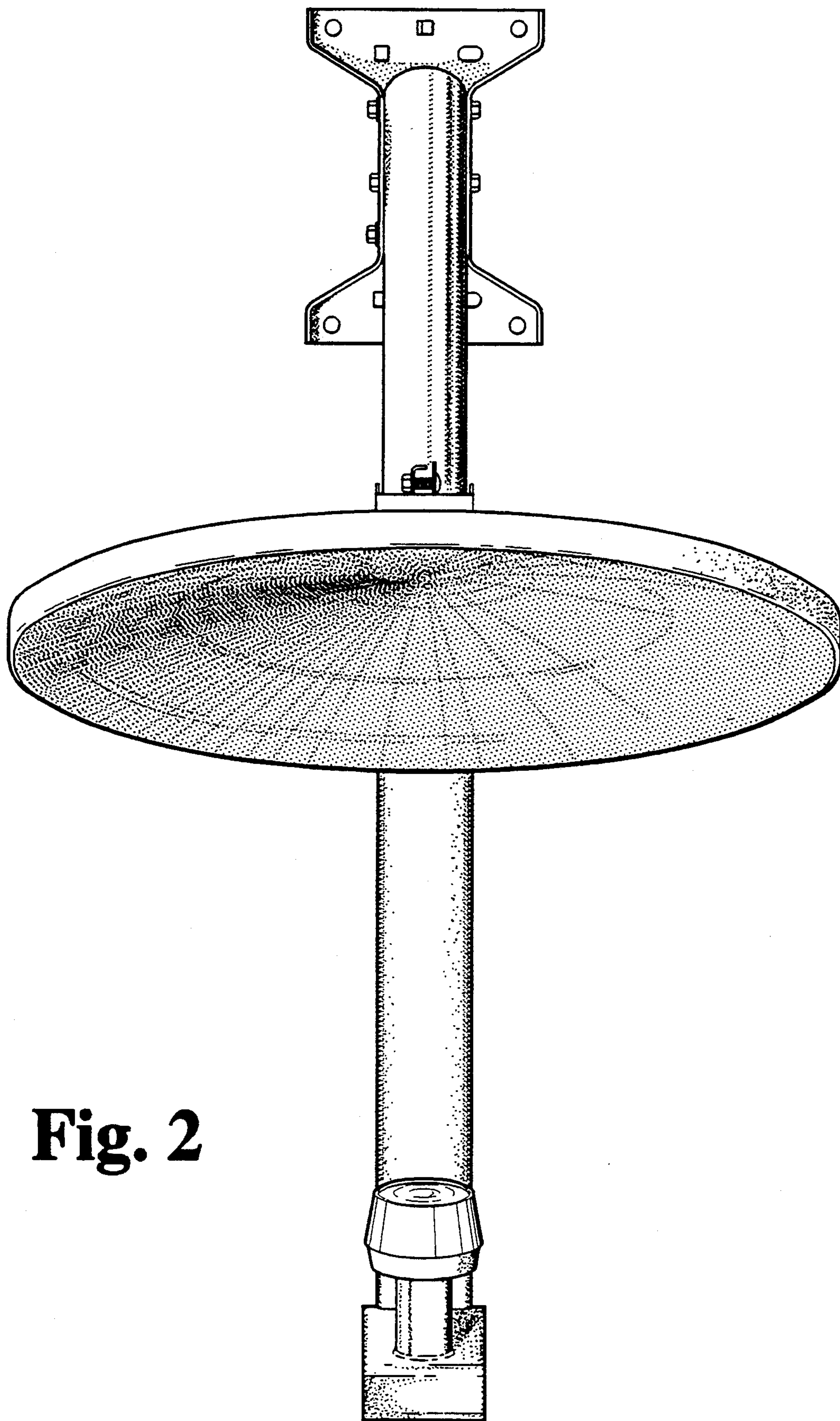


Fig. 2

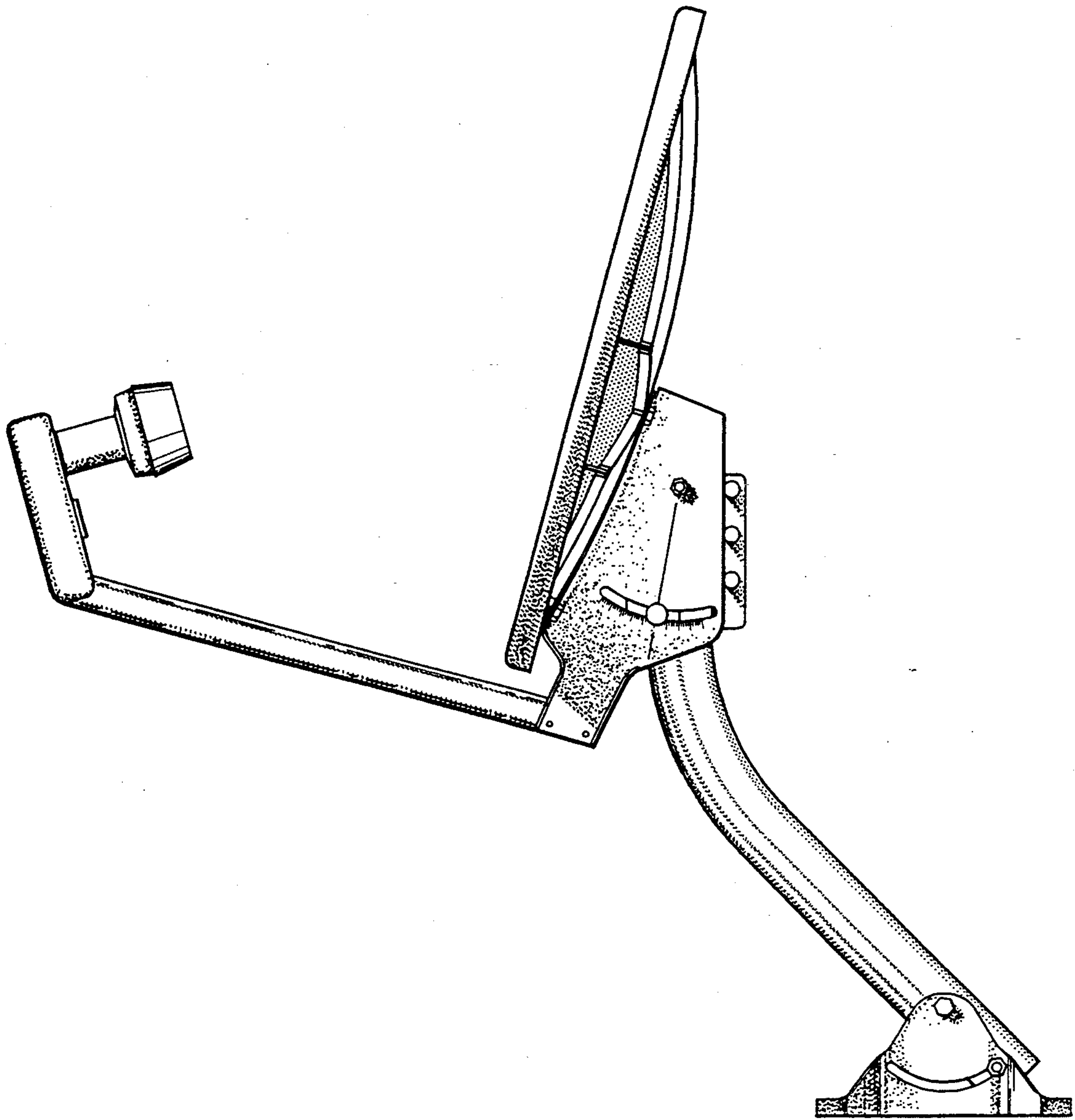


Fig. 3

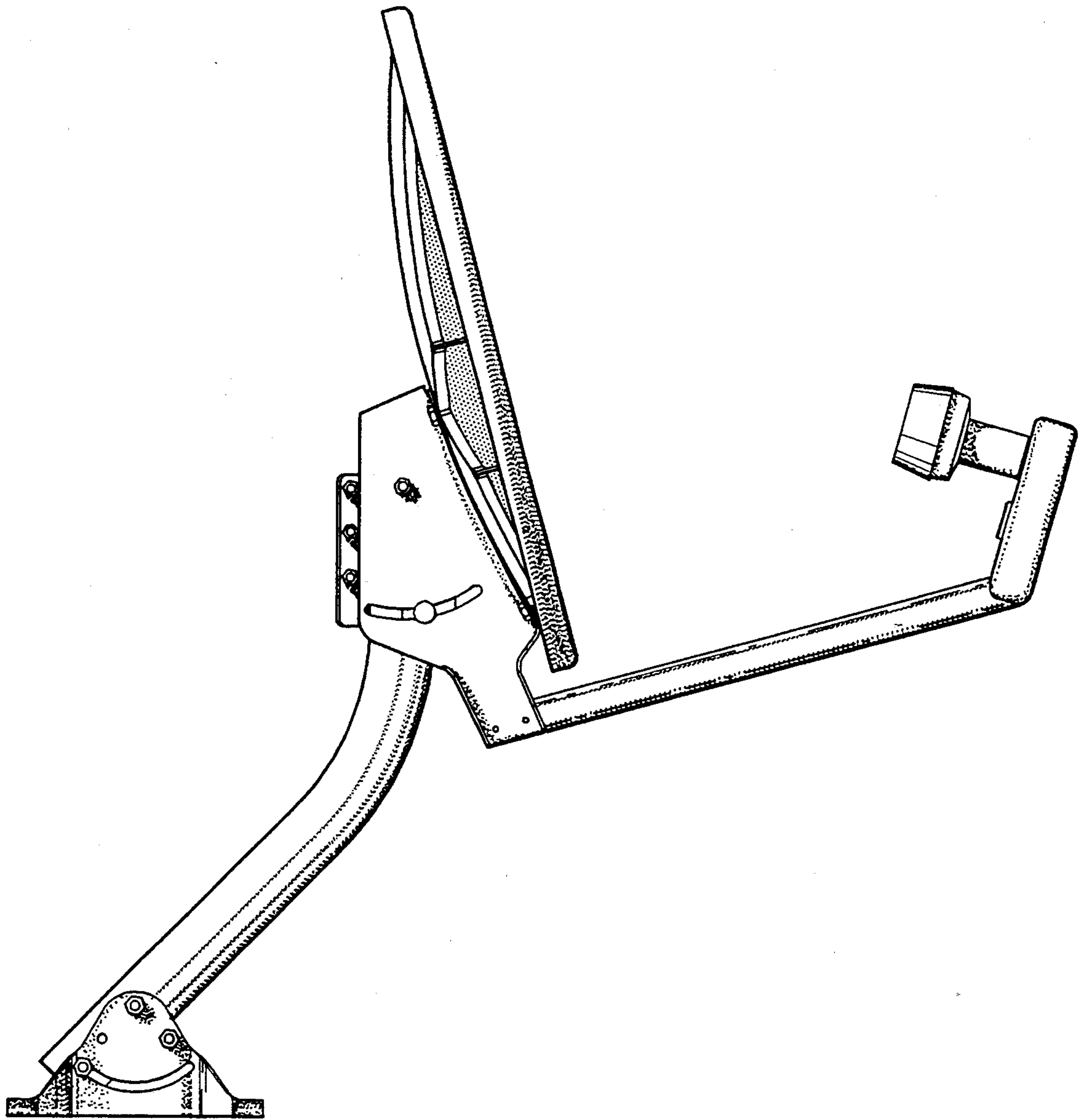


Fig. 4

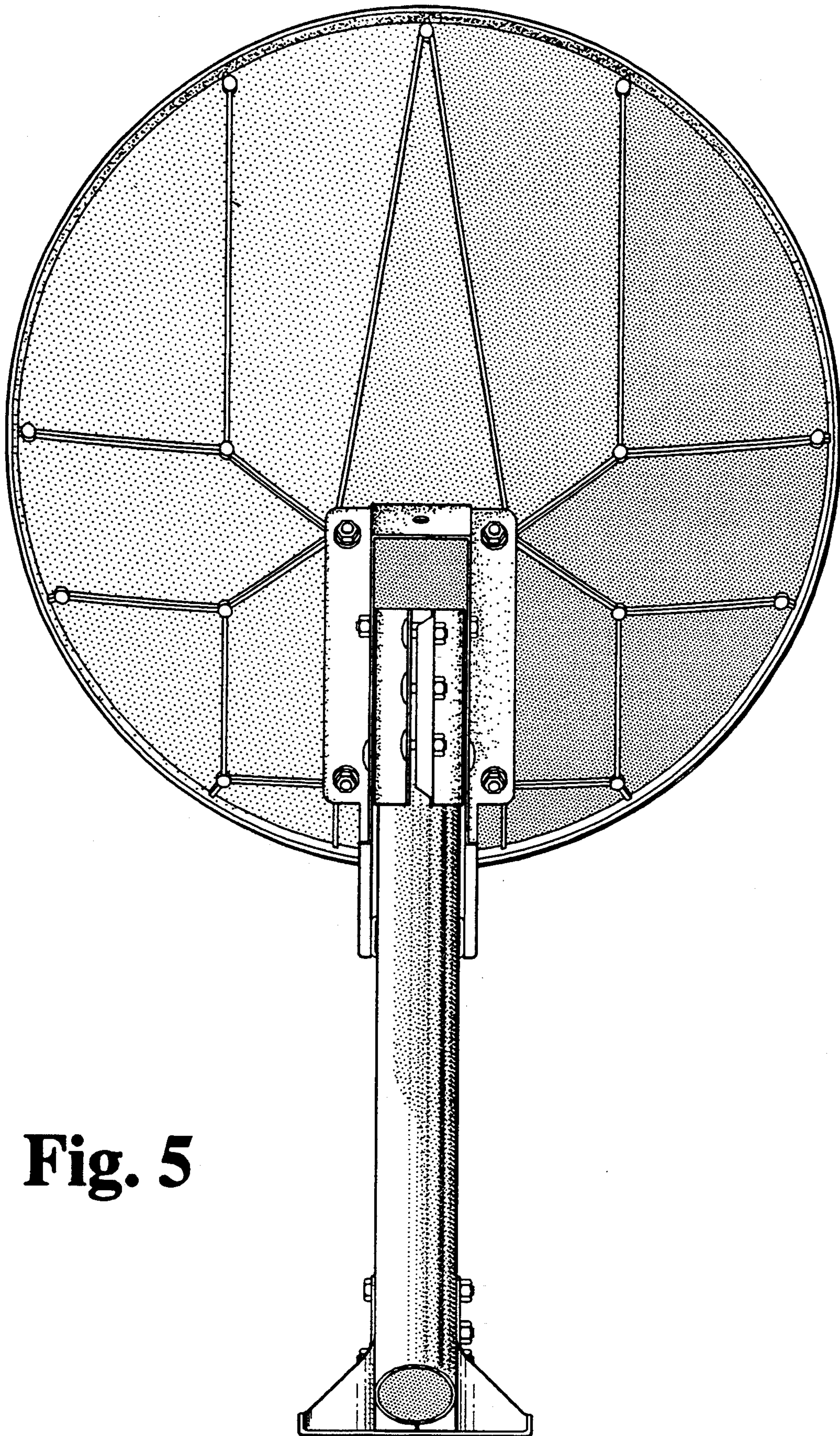


Fig. 5

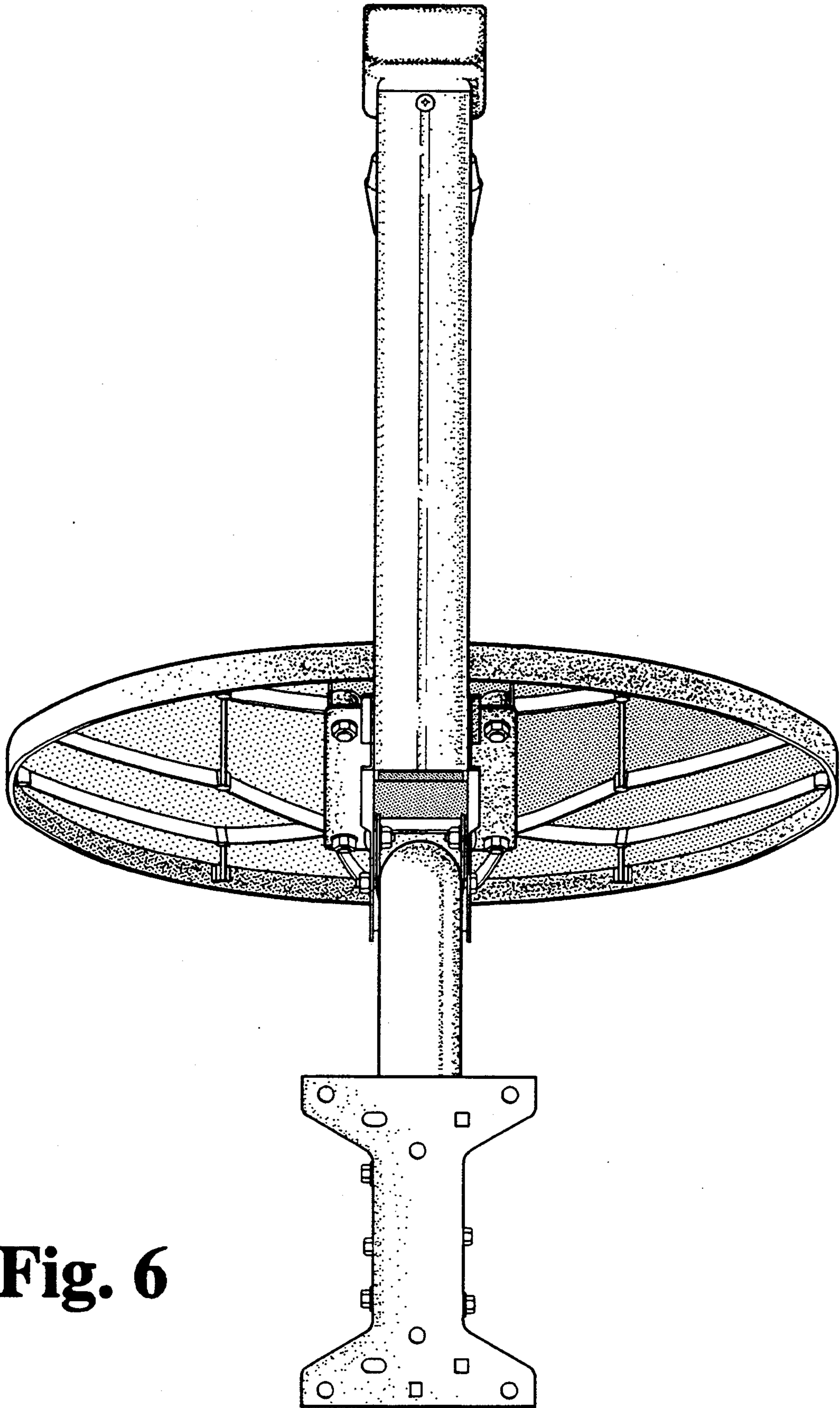


Fig. 6

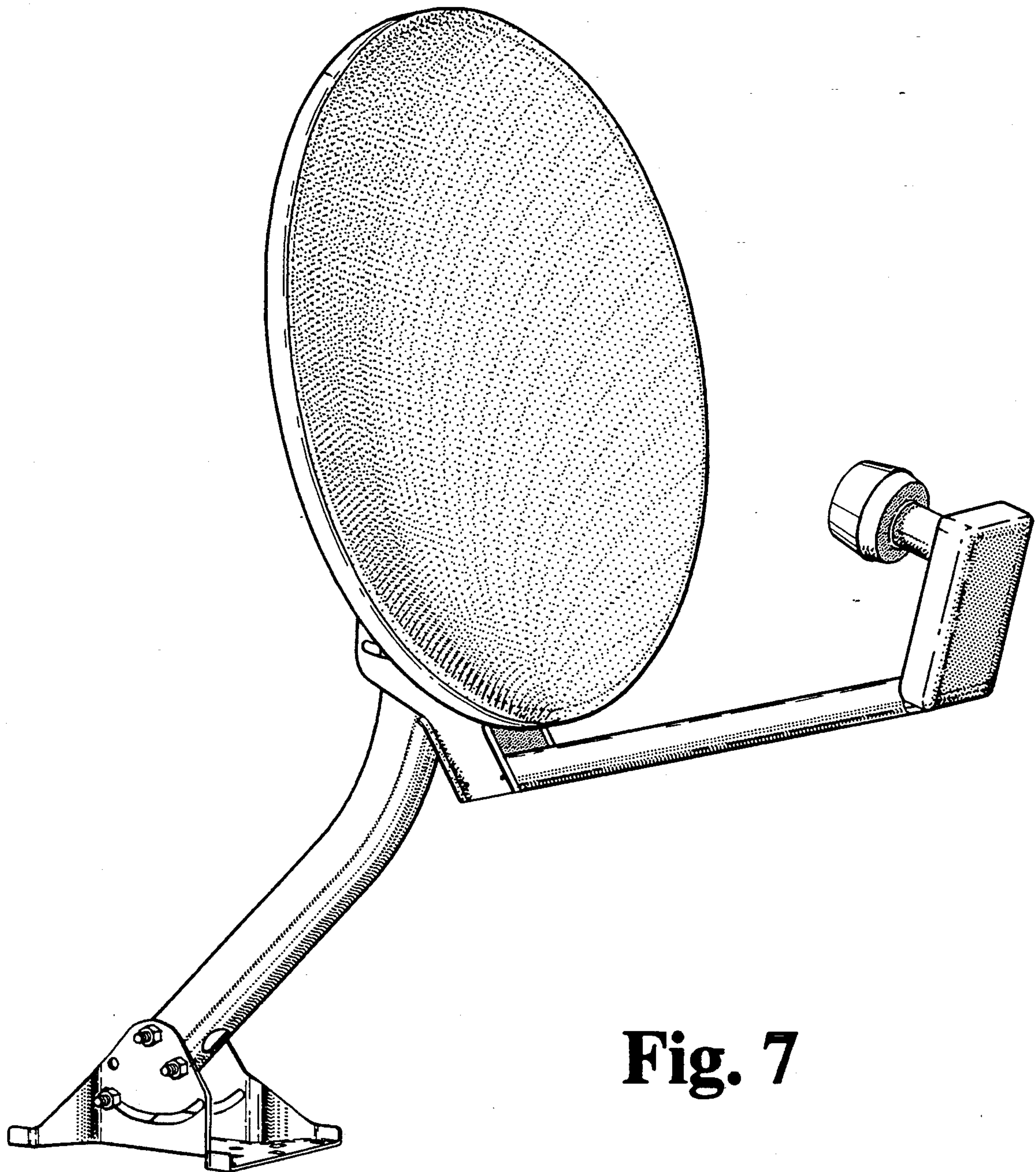


Fig. 7

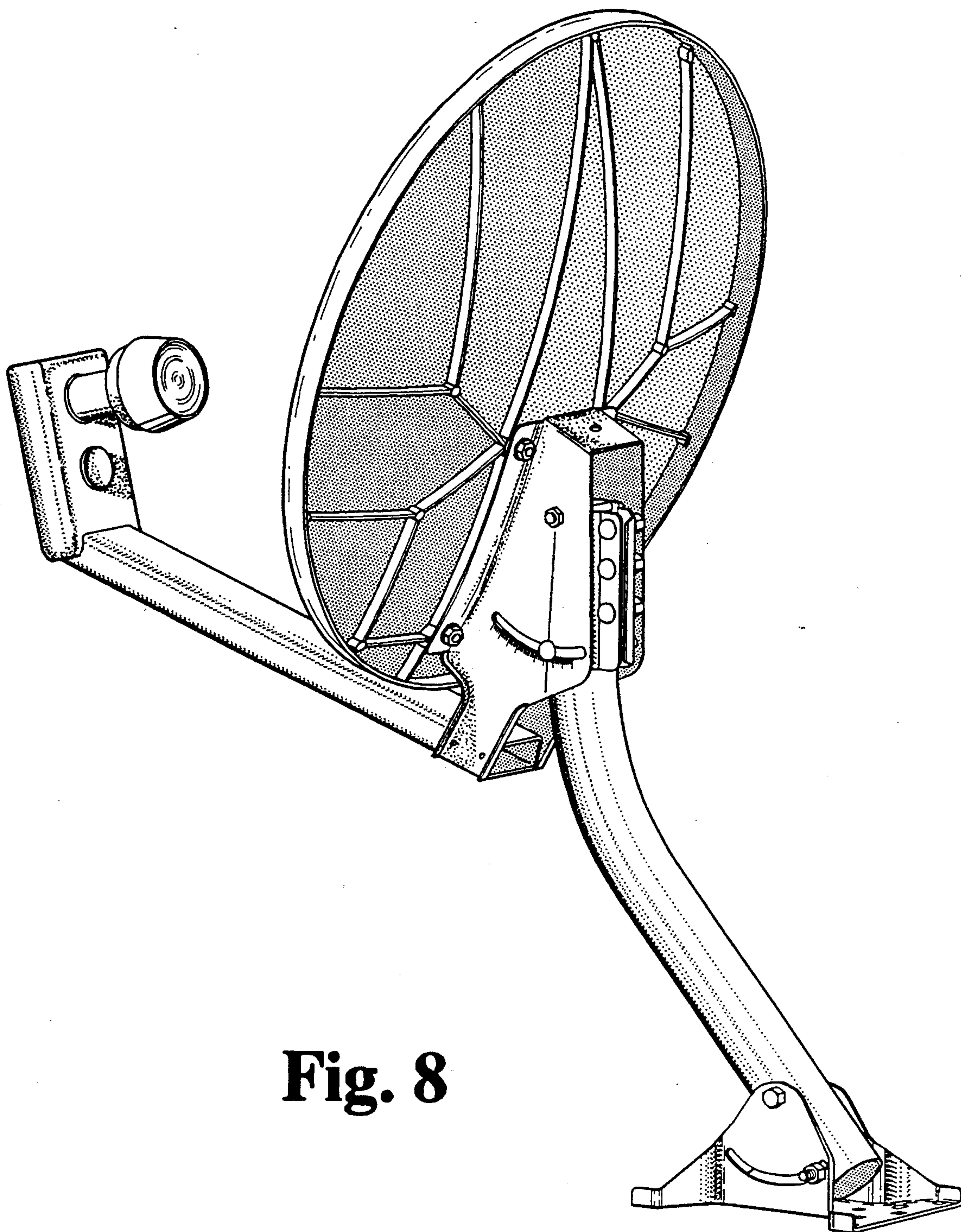


Fig. 8

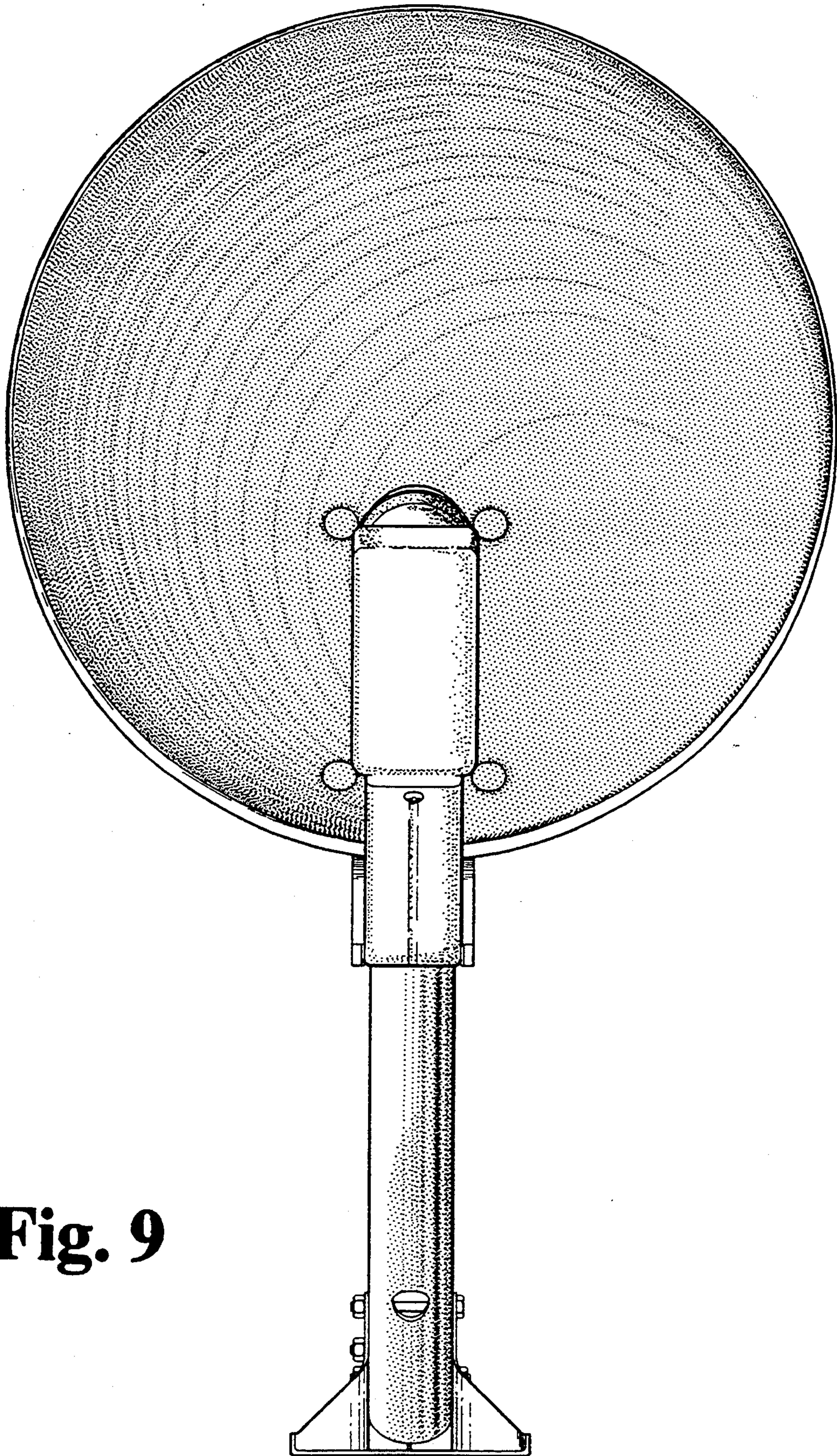


Fig. 9

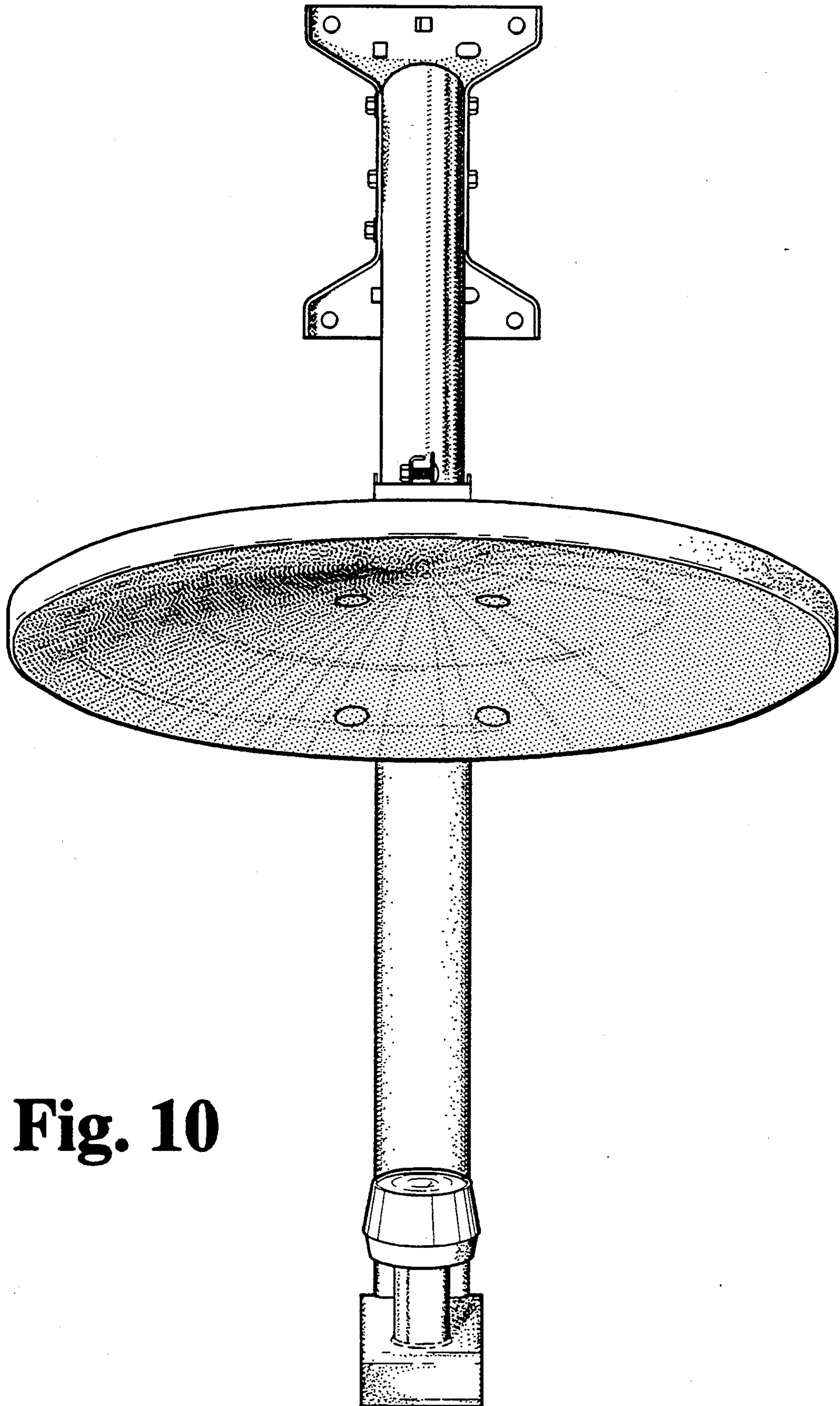


Fig. 10

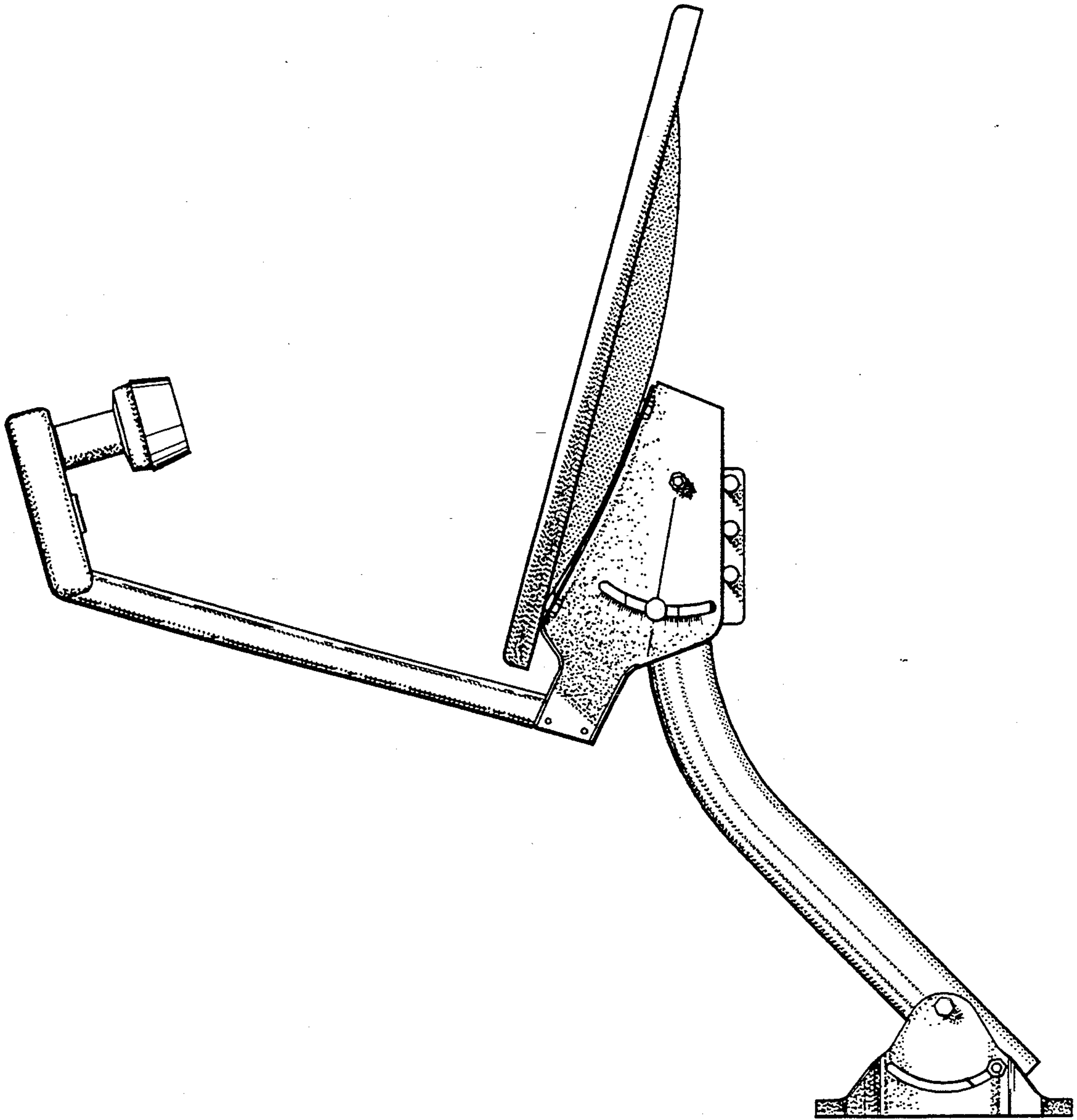


Fig. 11

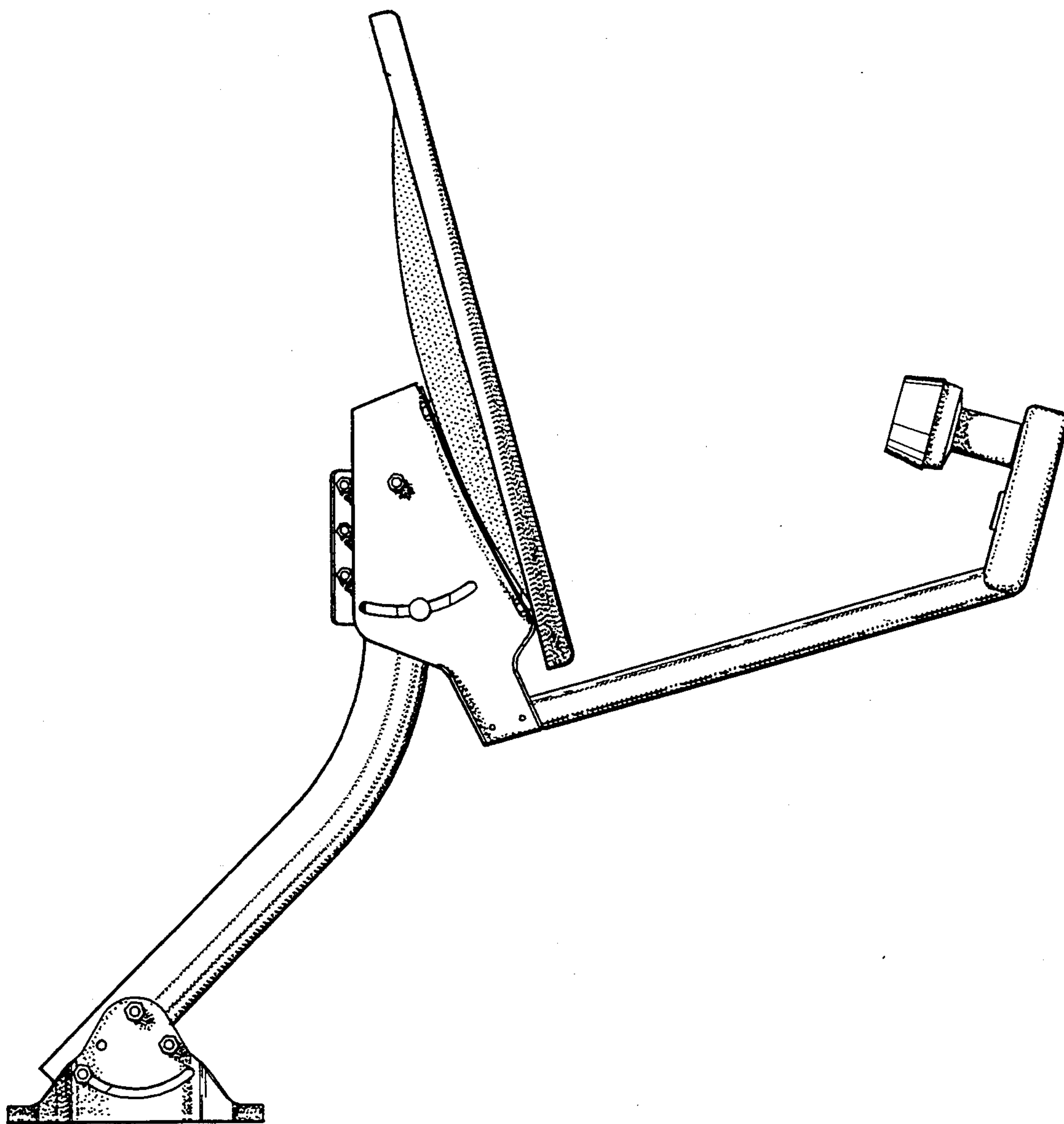


Fig. 12

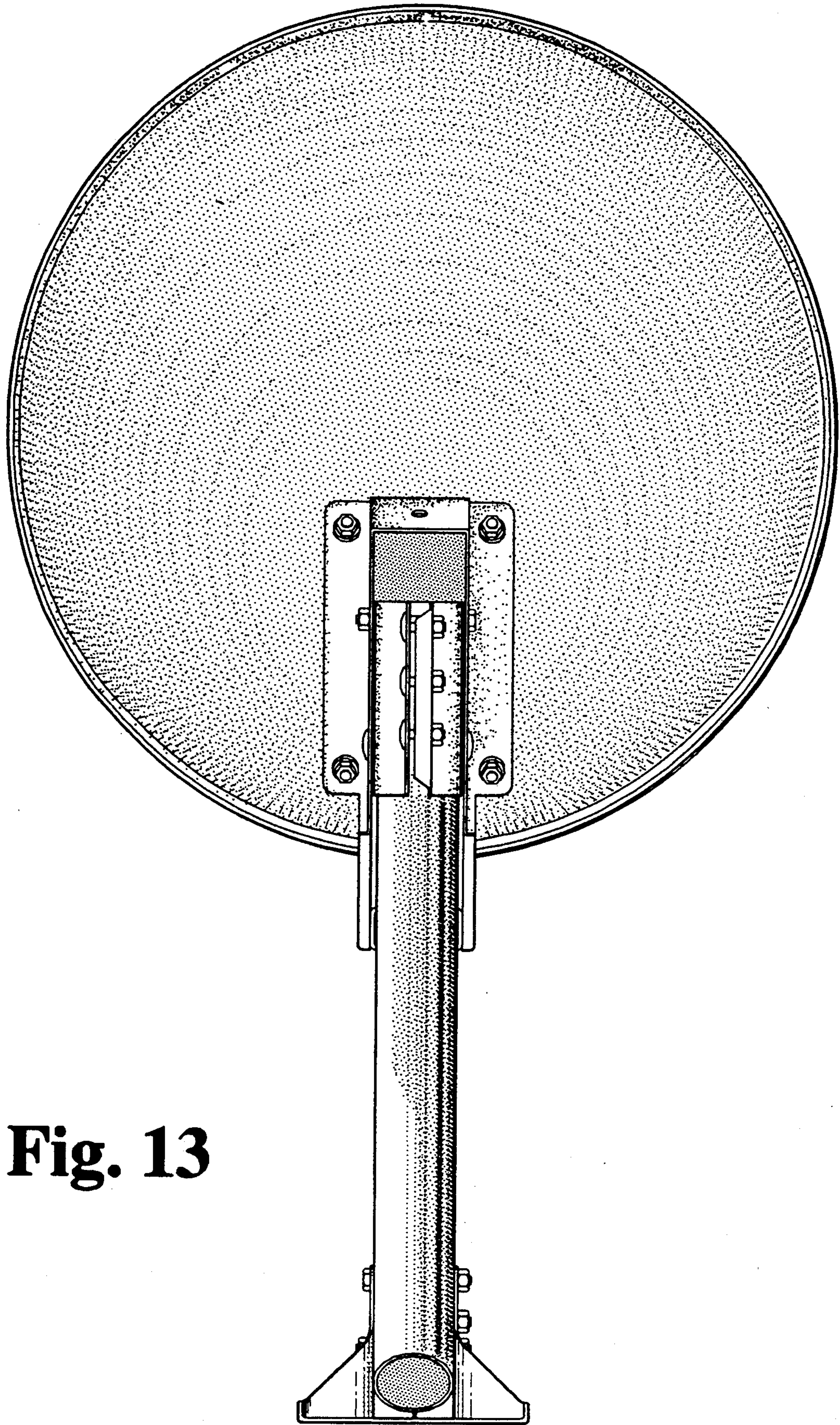


Fig. 13

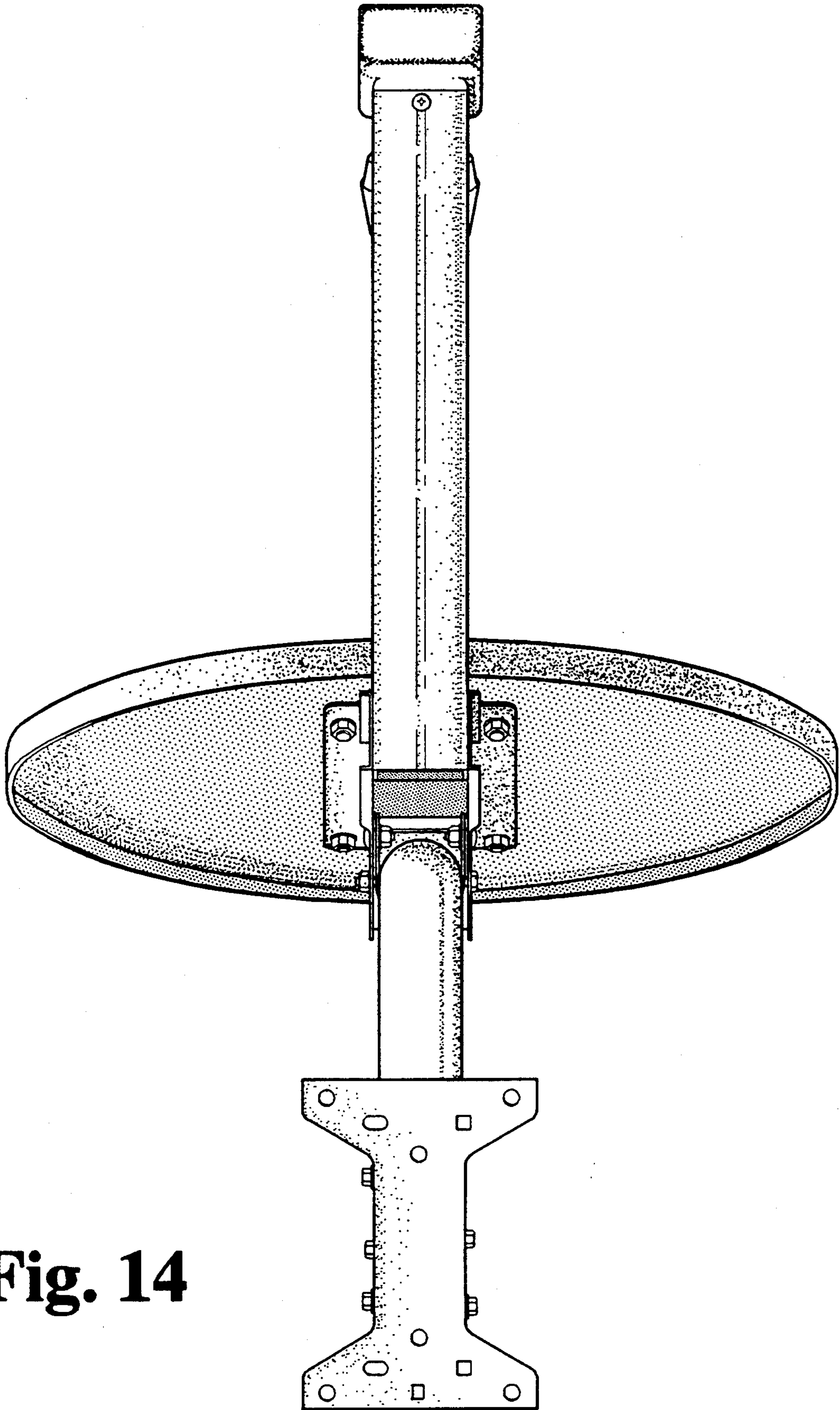


Fig. 14

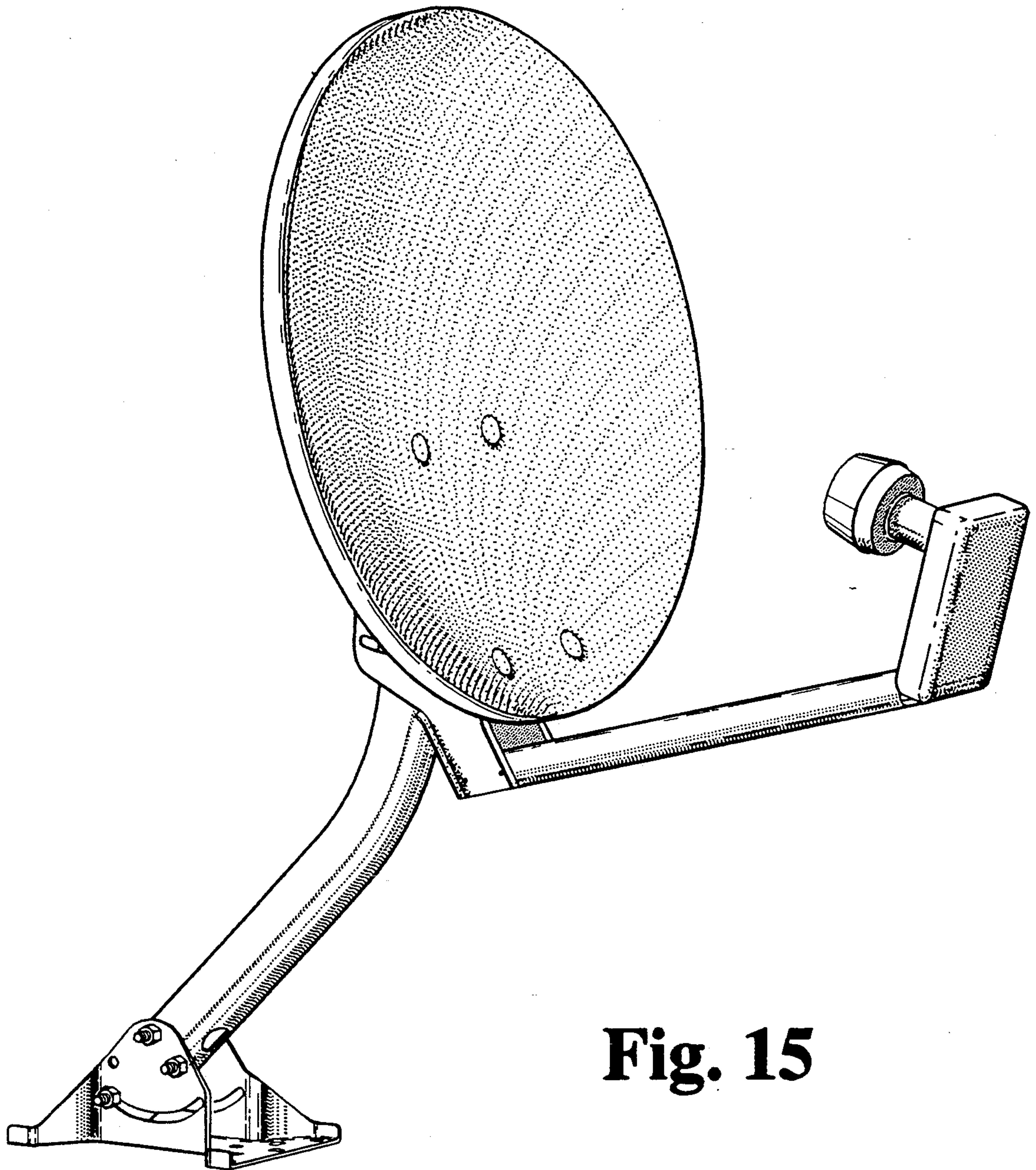


Fig. 15

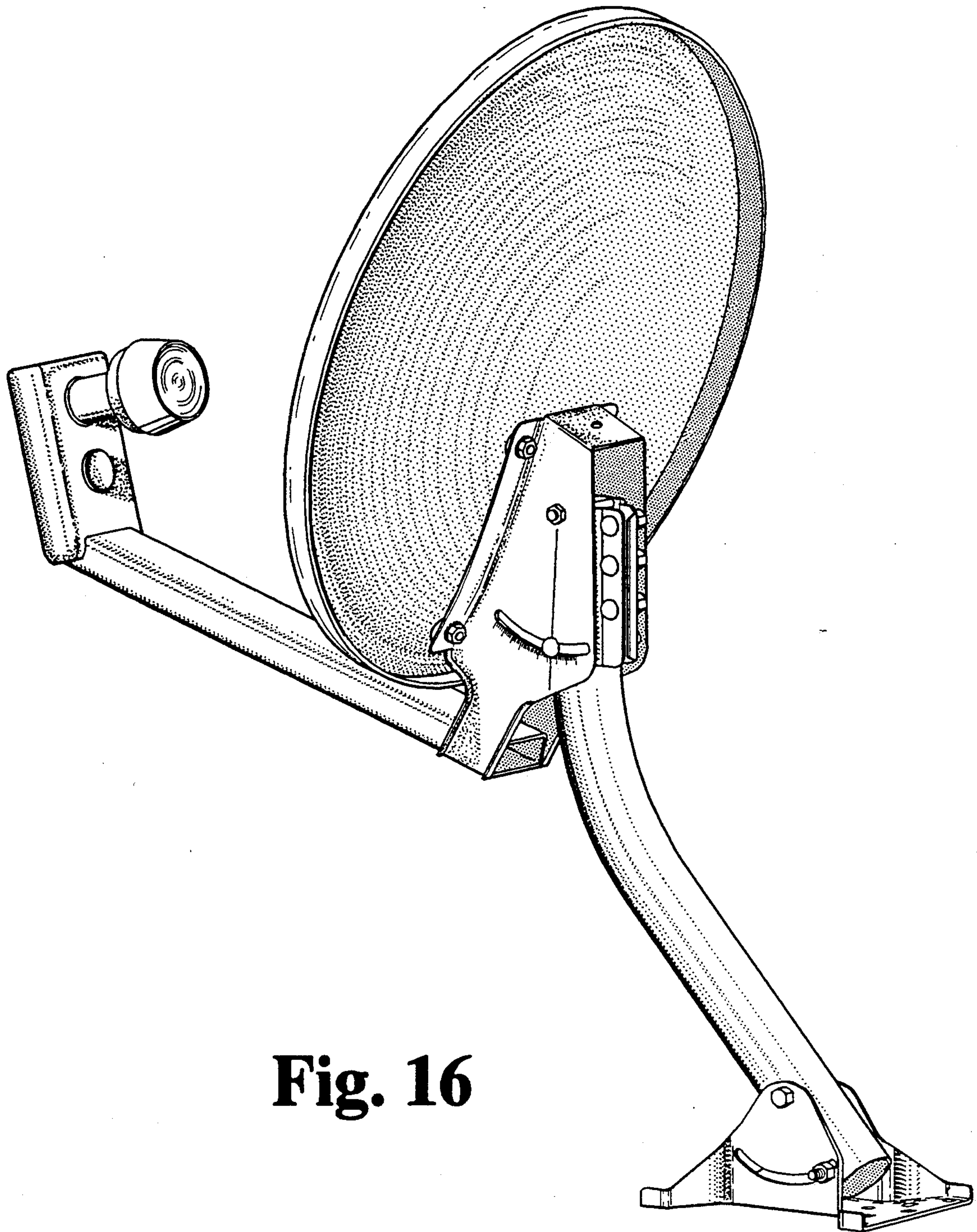


Fig. 16