



US00D362440S

United States Patent [19]

[11] Patent Number: **Des. 362,440**

Esslinger

[45] Date of Patent: **** Sep. 19, 1995**

[54] LOUDSPEAKER

[75] Inventor: **Hartmut H. Esslinger, Los Gatos, Calif.**

[73] Assignee: **Packard Bell Electronics, Inc., Westlake Village, Calif.**

[**] Term: **14 Years**

[21] Appl. No.: **23,831**

[22] Filed: **Jun. 1, 1994**

[30] Foreign Application Priority Data

Jan. 5, 1994 [DE] Germany 94 00 004.2

[52] U.S. Cl. **D14/215**

[58] Field of Search **D14/204-216;**
181/144-145, 147-148, 150, 198; 381/24, 88,
90, 188

[56] References Cited

U.S. PATENT DOCUMENTS

D. 317,008 5/1991 Emmerling D14/210 X
D. 317,768 6/1991 Davidson D14/216 X
D. 319,243 8/1991 Yamakawa D14/215 X

OTHER PUBLICATIONS

Stereo Review, Apr. 1993, p. 77 Speaker Cabinet. (top, right corner).

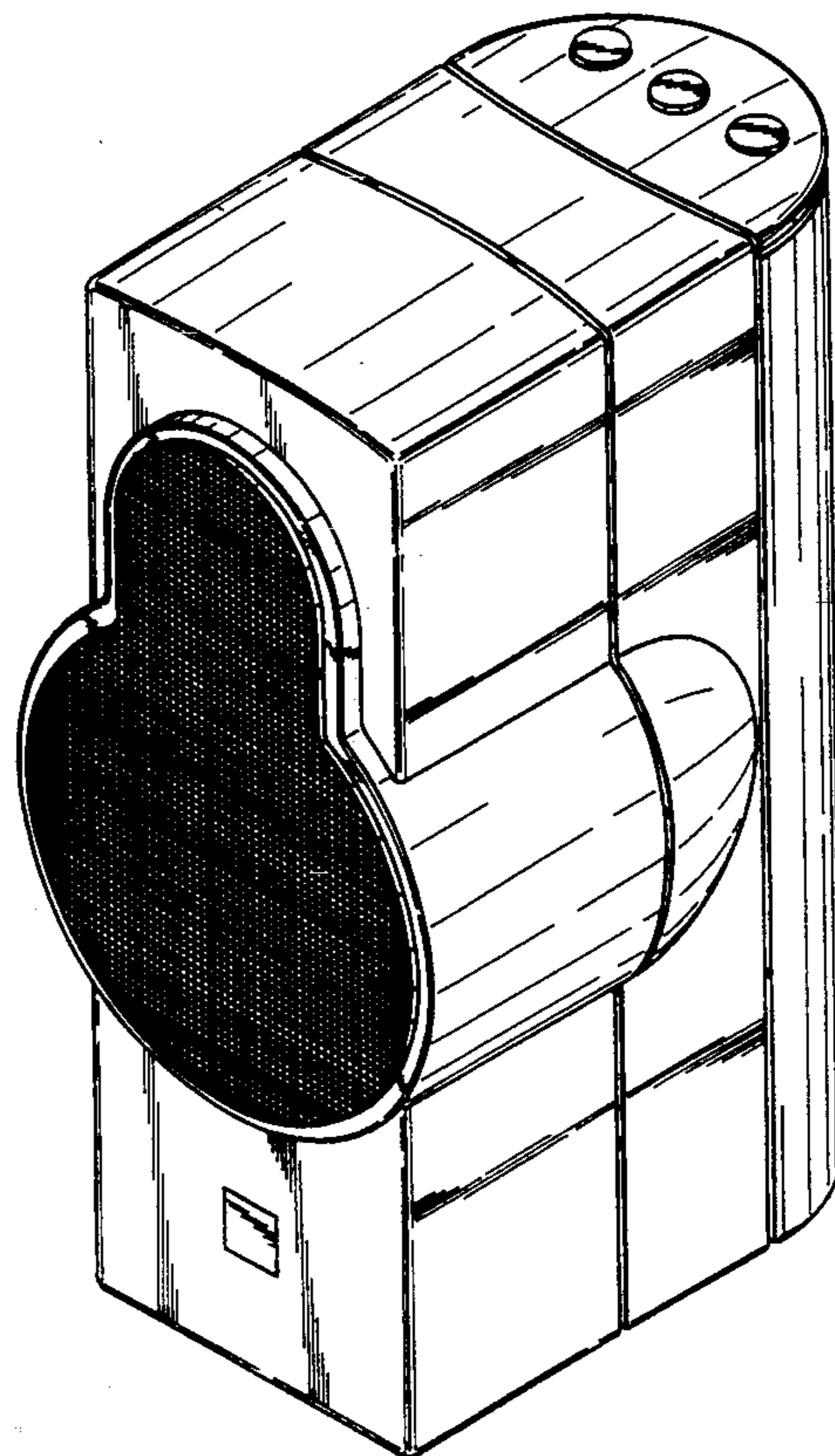
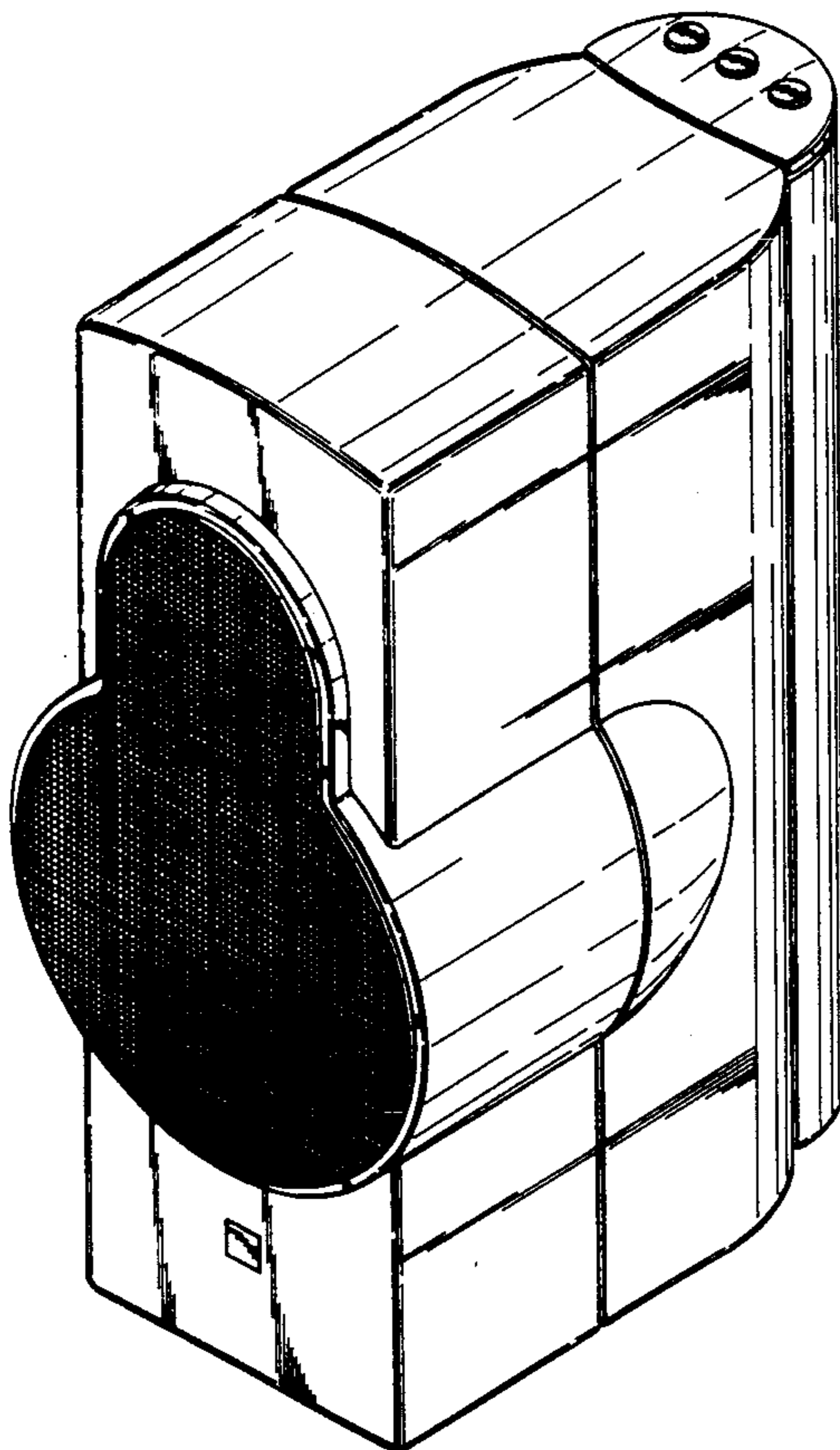
Primary Examiner—Terry A. Wallace
Assistant Examiner—Nanda Bondade
Attorney, Agent, or Firm—Wilson, Sonsini, Goodrich & Rosati

[57] CLAIM

The ornamental design for a loudspeaker, as shown and described.

DESCRIPTION

FIG. 1 is a top, front, right perspective view of a loudspeaker showing my new design;
FIG. 2 is a front elevational view thereof;
FIG. 3 is a right side elevational view thereof, the left side view being a mirror image;
FIG. 4 is a rear elevational view thereof;
FIG. 5 is a bottom plan view thereof;
FIG. 6 is a top plan view thereof;
FIG. 7 is a top, front, right perspective view of an alternate embodiment of FIG. 1;
FIG. 8 is a front elevational view of FIG. 7;
FIG. 9 is a right side elevational view of FIG. 7, the left side view being a mirror image;
FIG. 10 is a rear elevational view of FIG. 7;
FIG. 11 is a bottom plan view of FIG. 7; and,
FIG. 12 is a top plan view of FIG. 7.



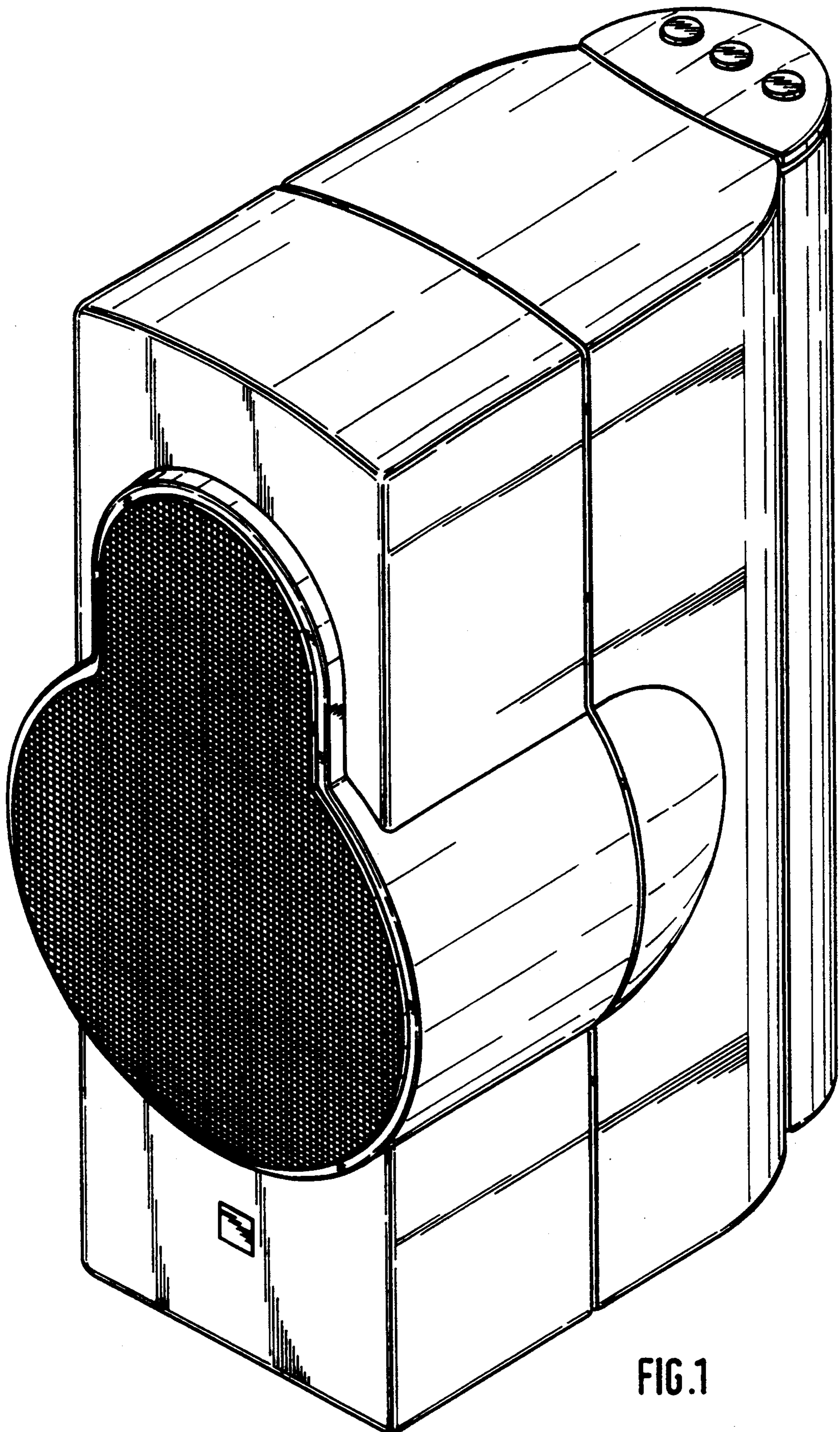


FIG. 1

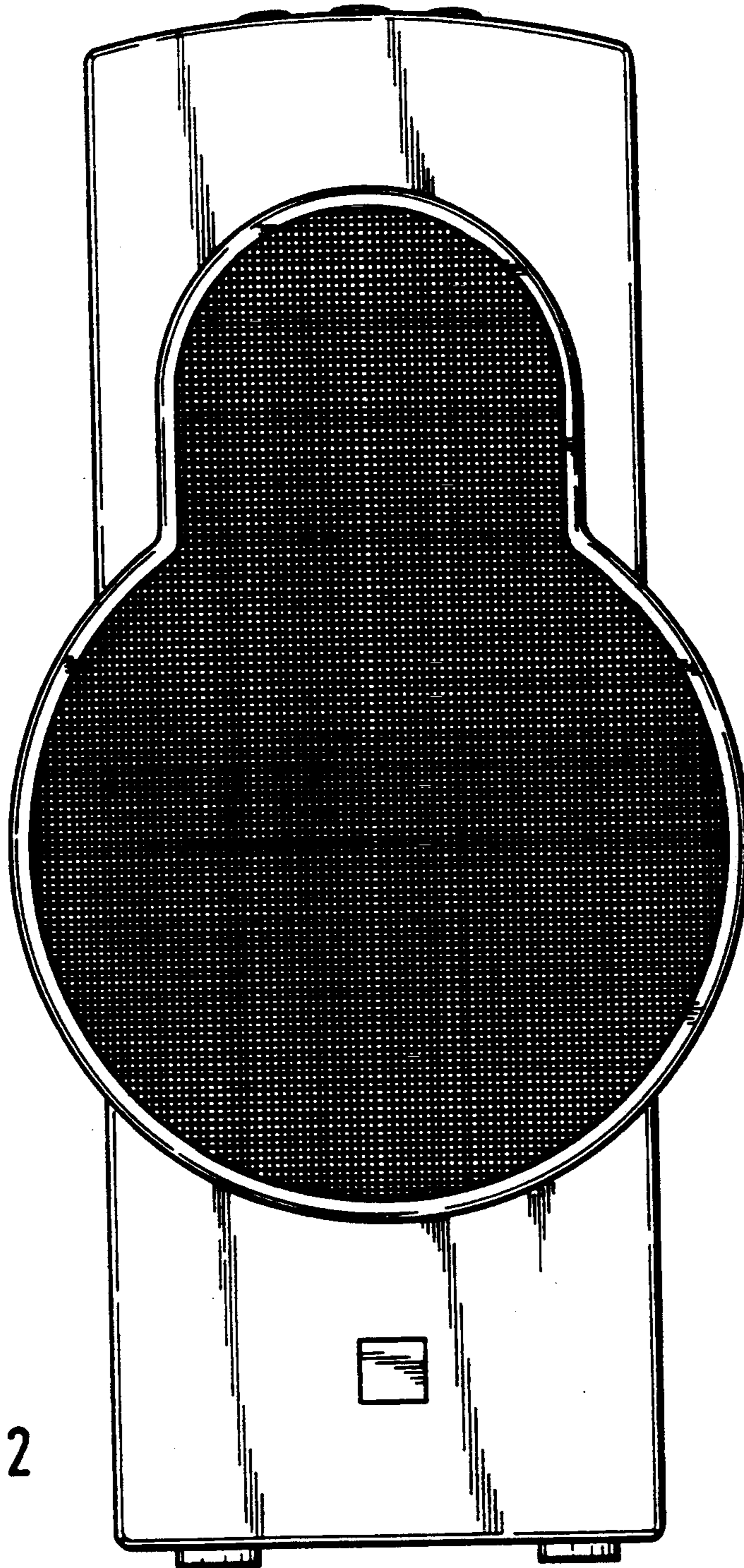


FIG. 2

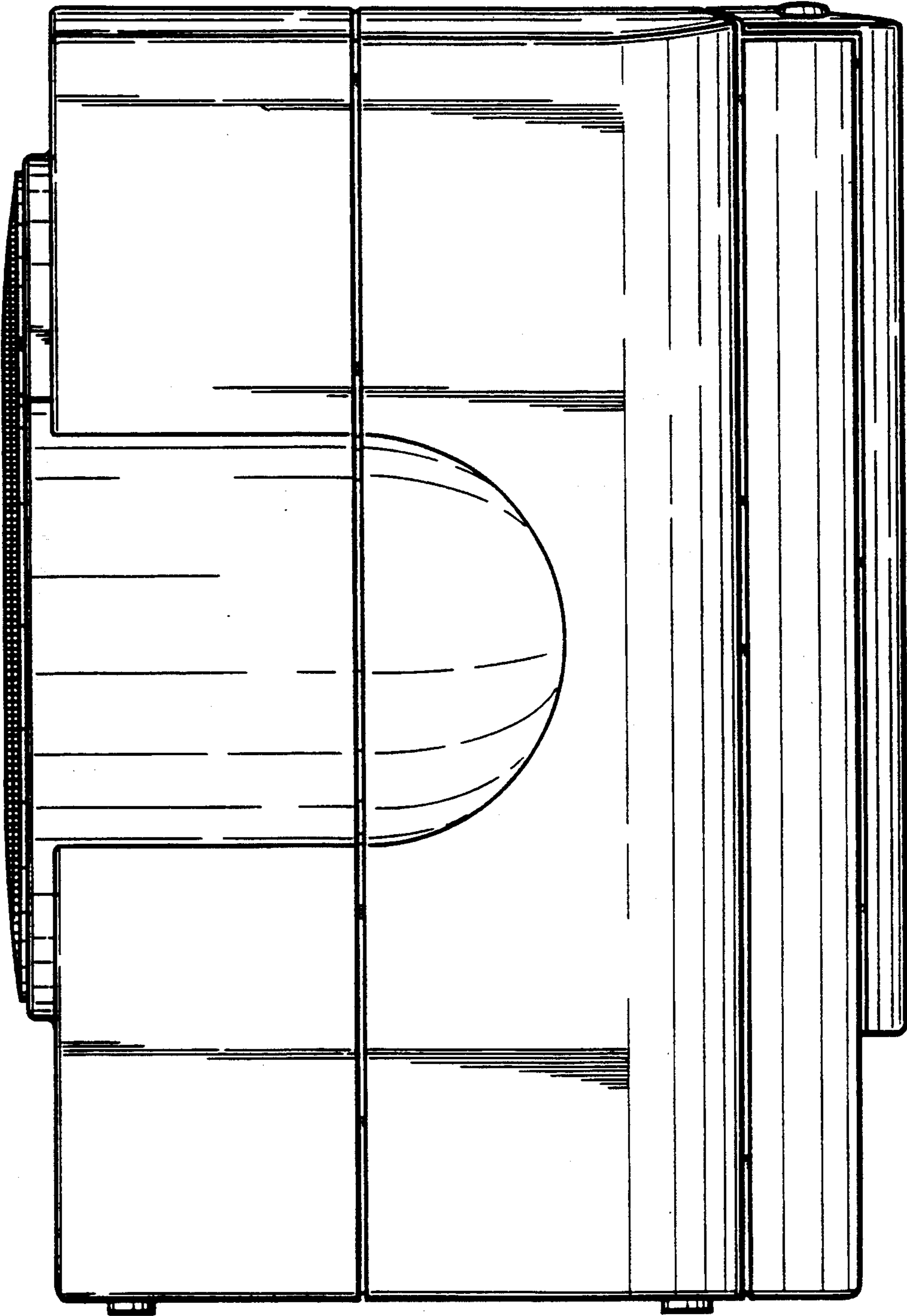


FIG. 3

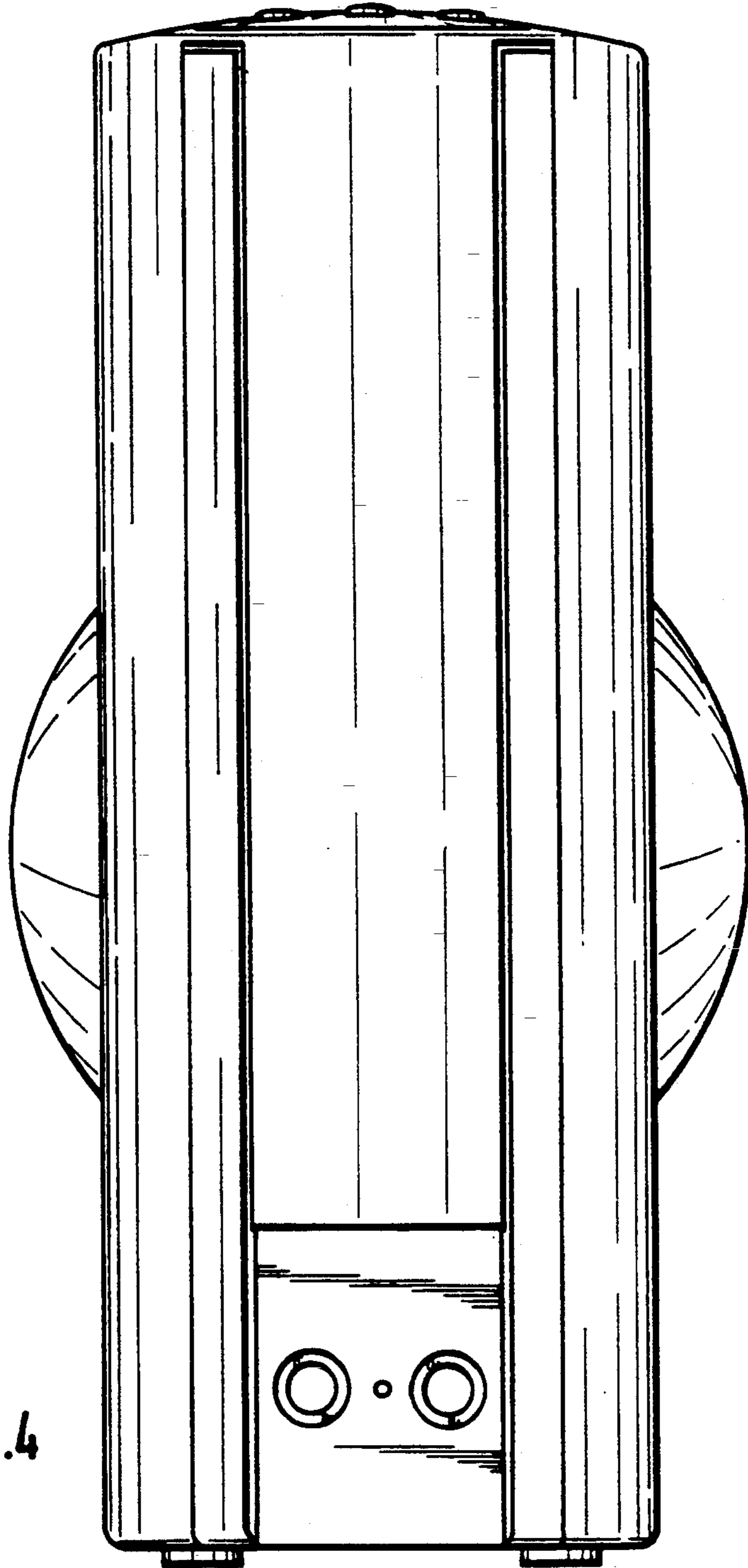


FIG.4

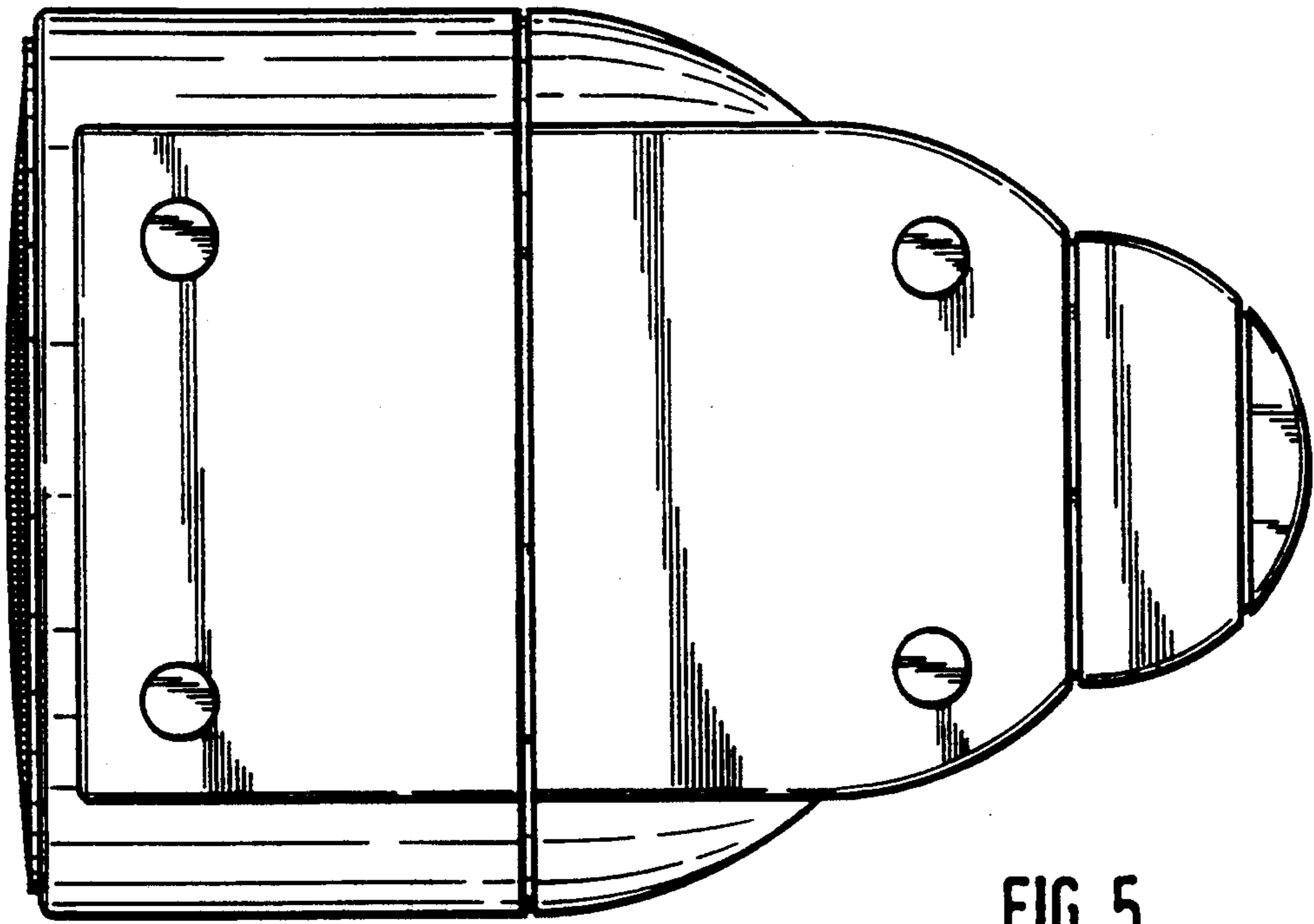


FIG. 5

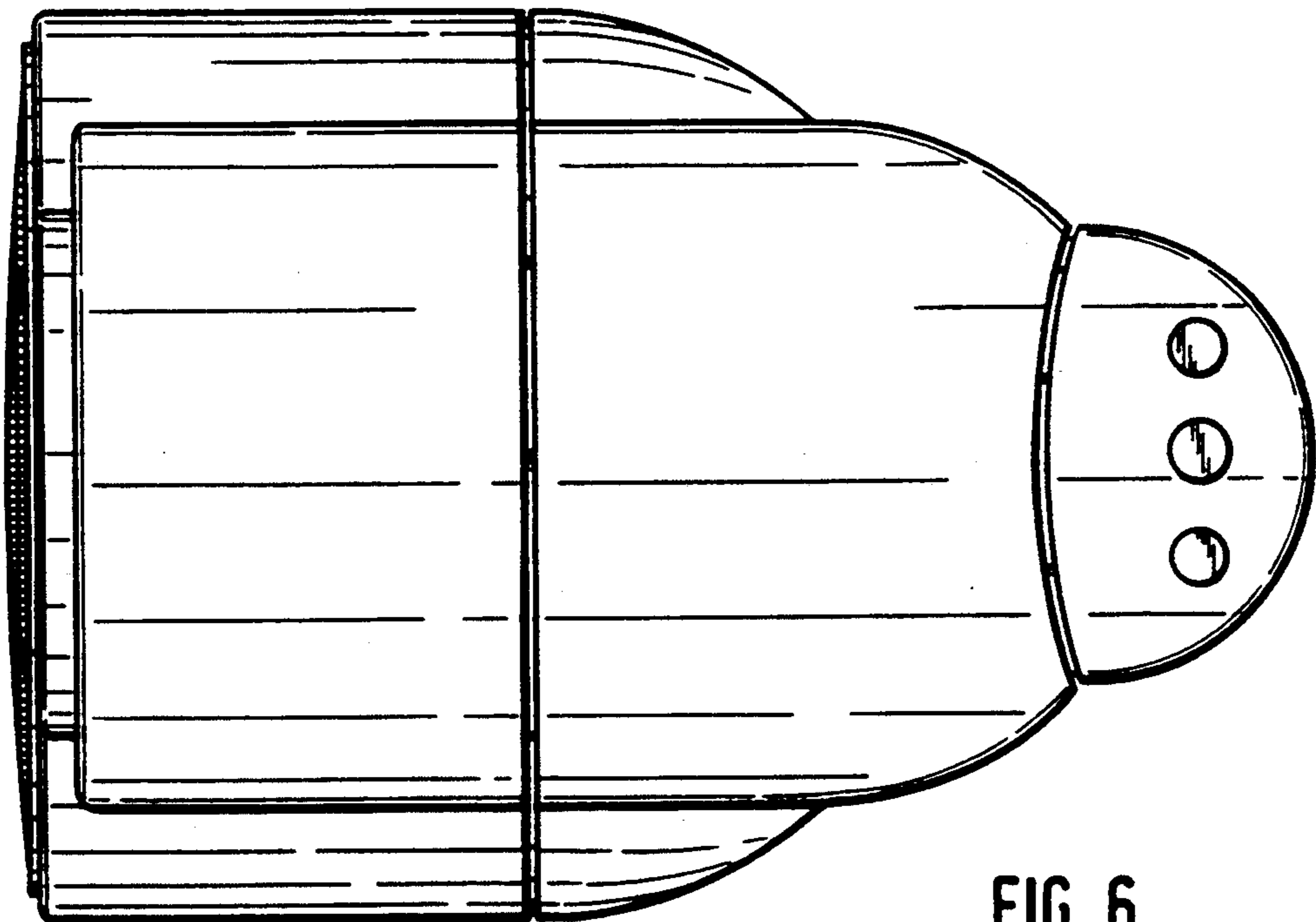


FIG. 6

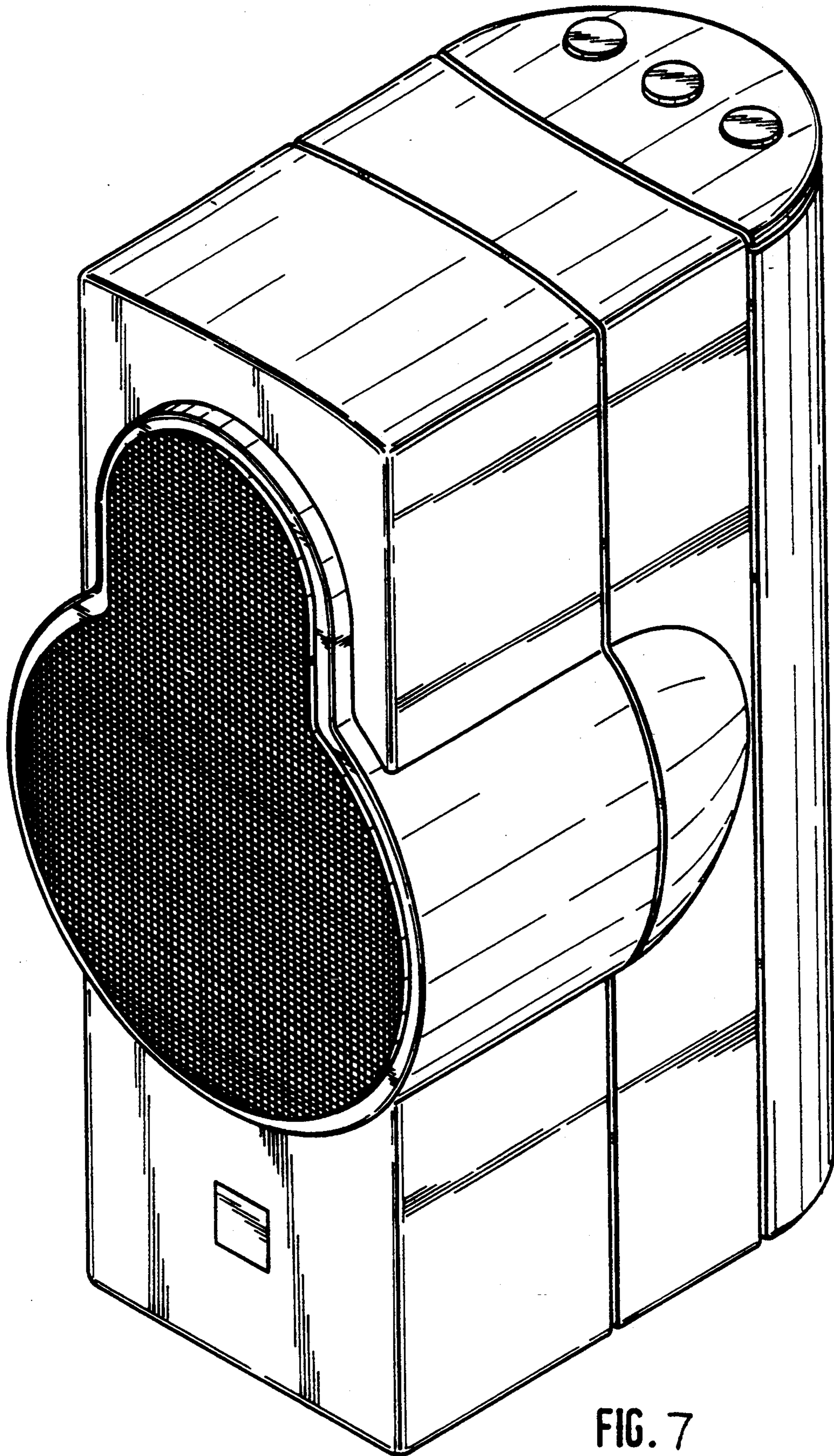


FIG. 7

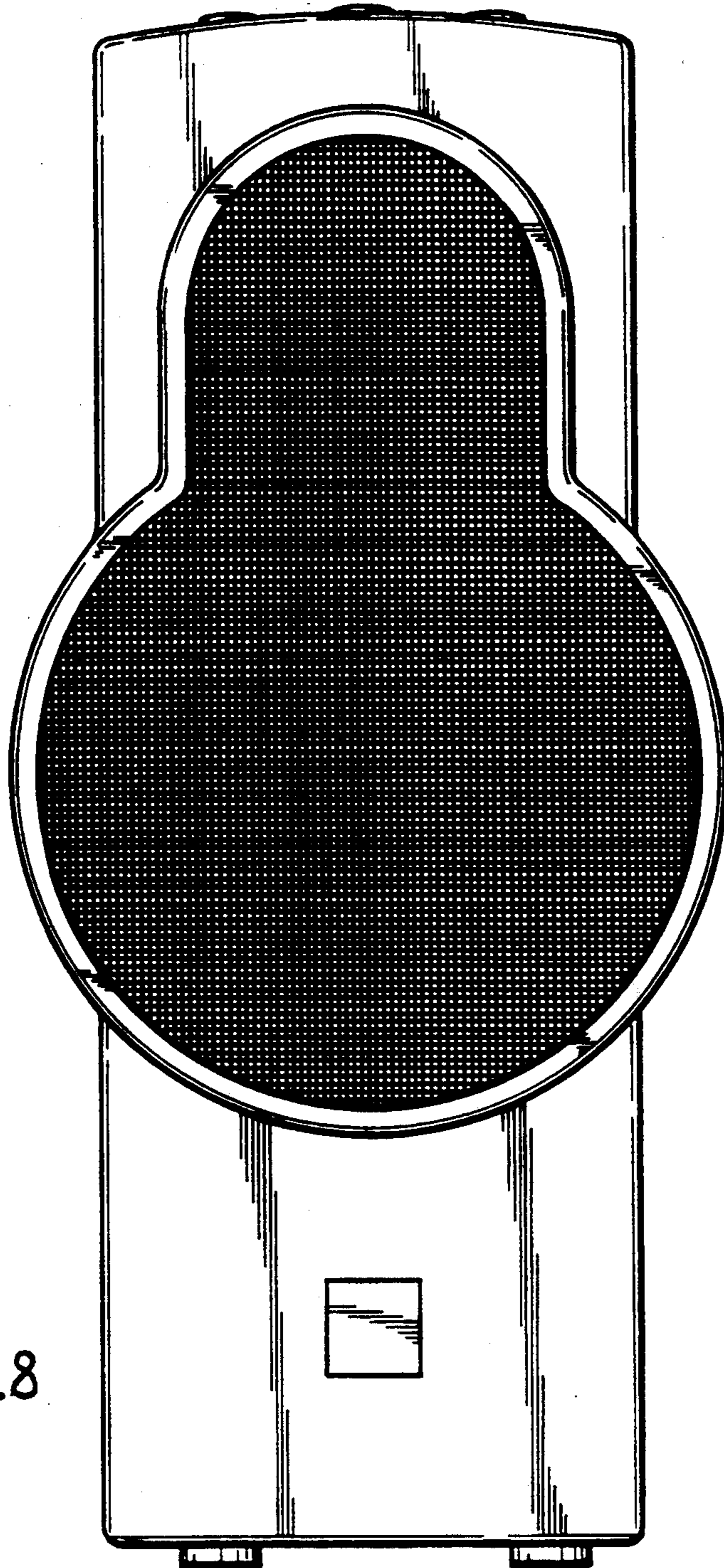


FIG.8

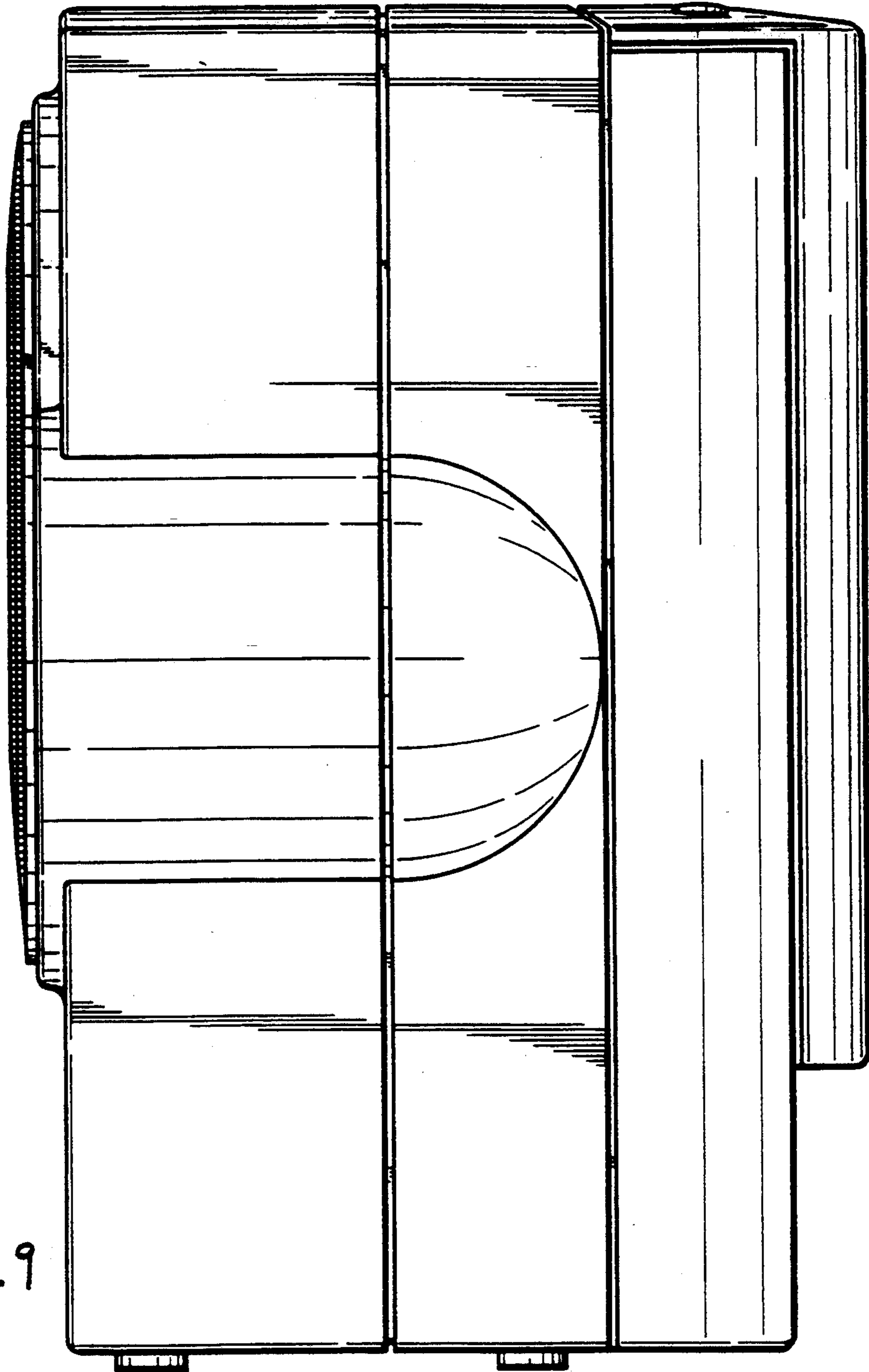


FIG. 9

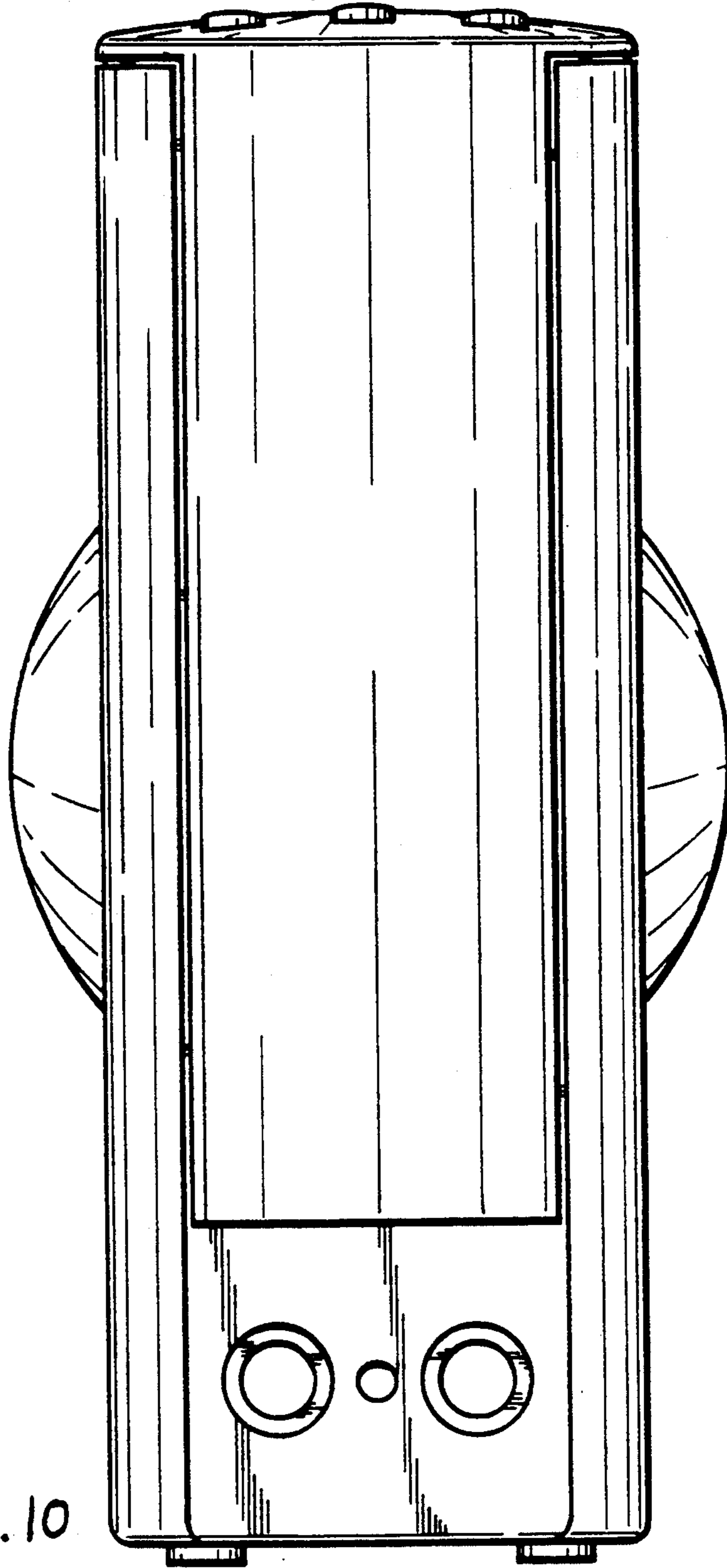


FIG. 10

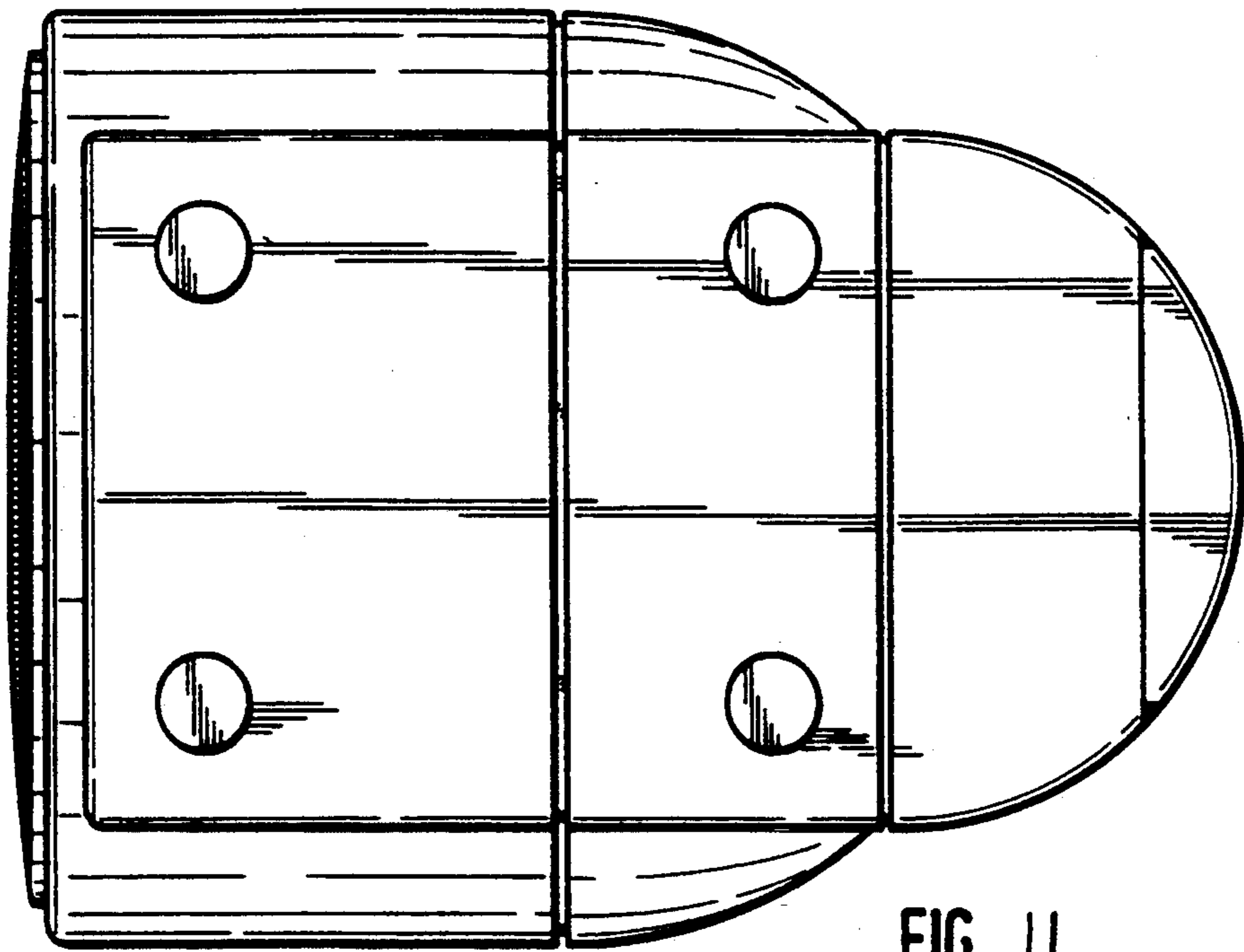


FIG. 11

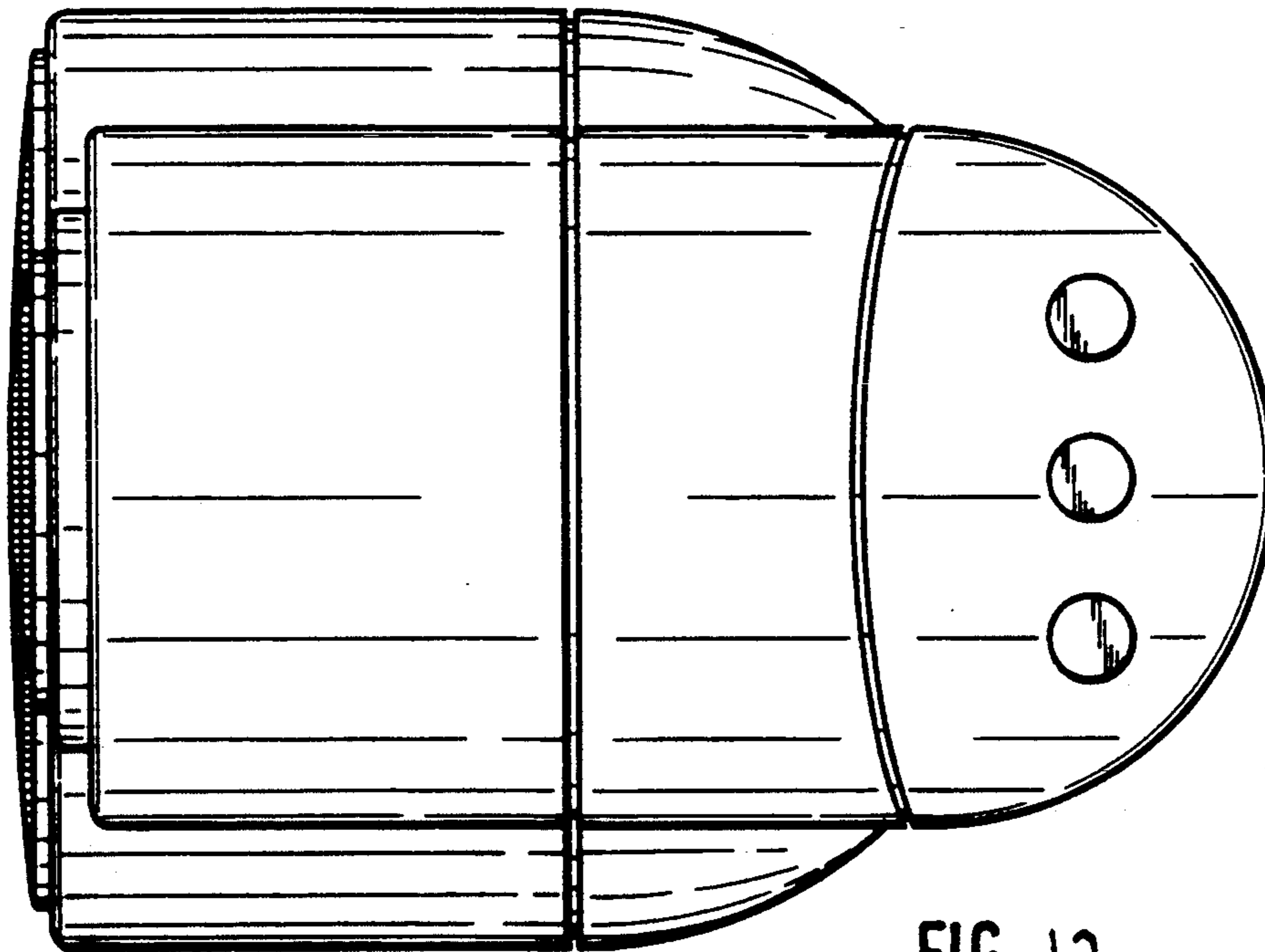


FIG. 12