



US00D362427S

# United States Patent [19]

[11] Patent Number: **Des. 362,427**

Mizusugi et al.

[45] Date of Patent: **\*\* Sep. 19, 1995**

[54] CASH REGISTER

[75] Inventors: **Kanji Mizusugi, Mie; Yukio Kanaoka, Nara, both of Japan**

[73] Assignee: **Sharp Kabushiki Kaisha, Osaka, Japan**

[\*\*] Term: **14 Years**

[21] Appl. No.: **30,078**

[22] Filed: **Oct. 17, 1994**

### [30] Foreign Application Priority Data

Apr. 26, 1994 [JP] Japan ..... 6-12180 U

[52] U.S. Cl. .... **D14/105; D18/4**

[58] Field of Search ..... D14/100, 101, 105, 106, D14/107, 113, 115; D18/1, 4, 7; 235/145 A, 145 R, 2, 6, 7 R, 383; 364/404, 405; 341/22, 23; 194/205

### [56] References Cited

#### U.S. PATENT DOCUMENTS

D. 310,212 8/1990 Forsythe ..... D18/4 X  
333,147 2/1993 Miyake et al. .... D18/4

D. 333,672 3/1993 Minamizono ..... D18/4  
D. 346,794 5/1994 Arakaki et al. .... D18/4 X  
D. 353,613 12/1994 Miyake et al. .... D18/4  
D. 354,976 1/1995 Miyake et al. .... D18/4  
D. 354,977 1/1995 Miyake et al. .... D18/4

#### FOREIGN PATENT DOCUMENTS

4-128995 4/1992 Japan ..... 364/405

*Primary Examiner*—Freda Nunn

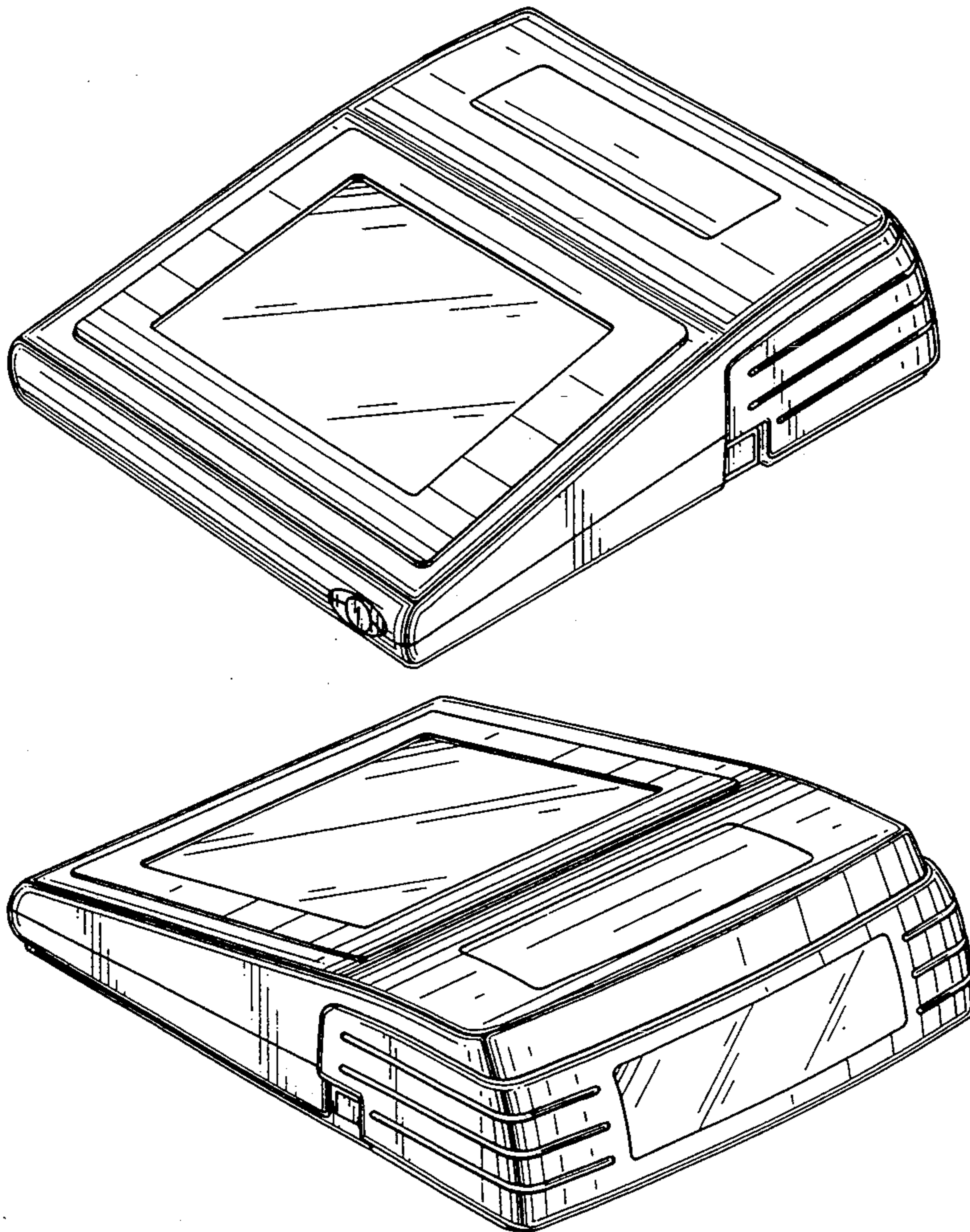
*Attorney, Agent, or Firm*—Nixon & Vanderhye

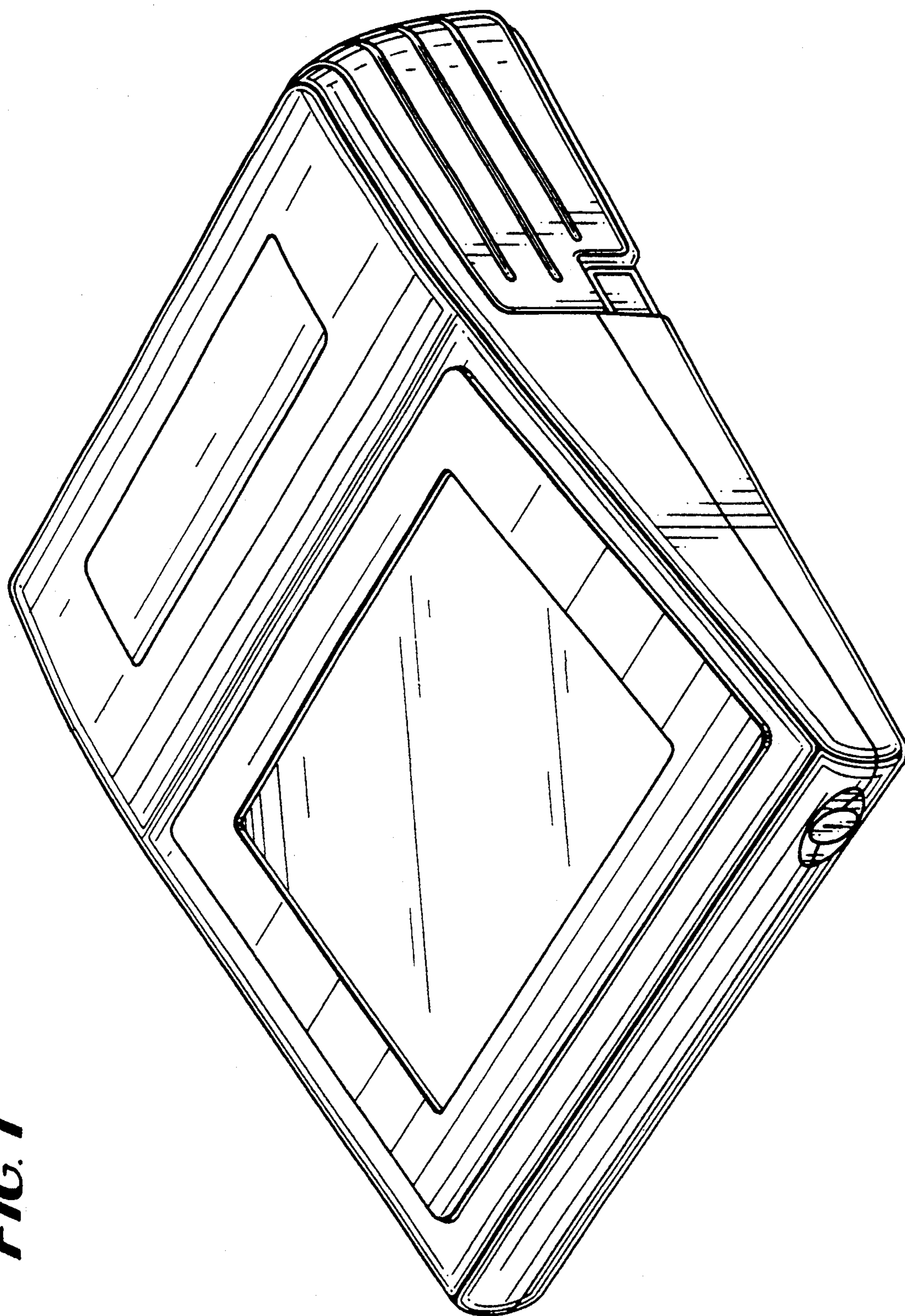
### [57] CLAIM

The ornamental design for a cash register, as shown and described.

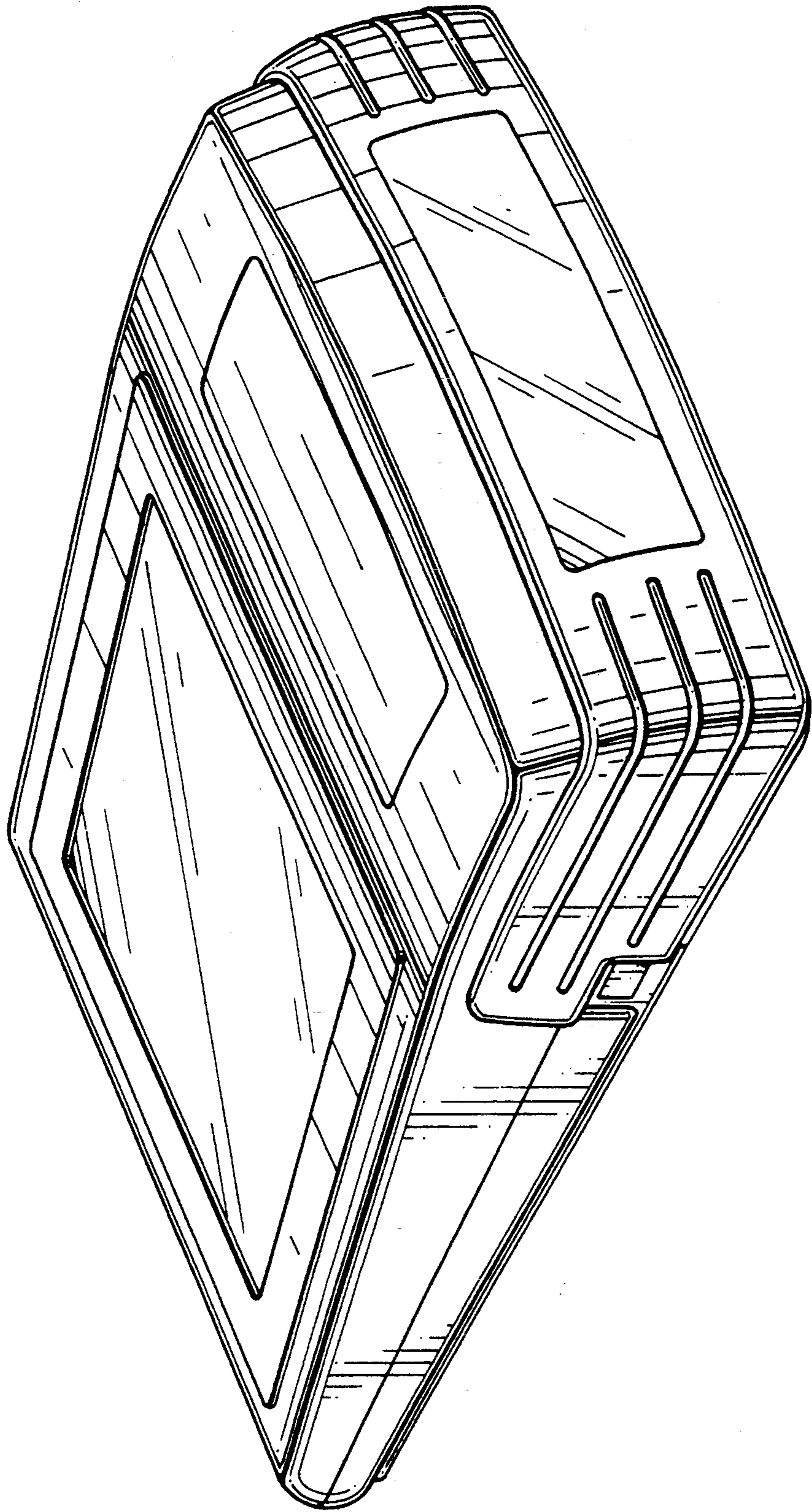
### DESCRIPTION

FIG. 1 is a top, front and right side perspective view of a cash register according to our design;  
FIG. 2 is a top, rear, right side perspective view thereof;  
FIG. 3 is a top plan view thereof;  
FIG. 4 is a front elevational view thereof;  
FIG. 5 is a right side elevational view thereof;  
FIG. 6 is a rear elevational view thereof;  
FIG. 7 is a left side elevational view thereof; and,  
FIG. 8 is a bottom plan view thereof.



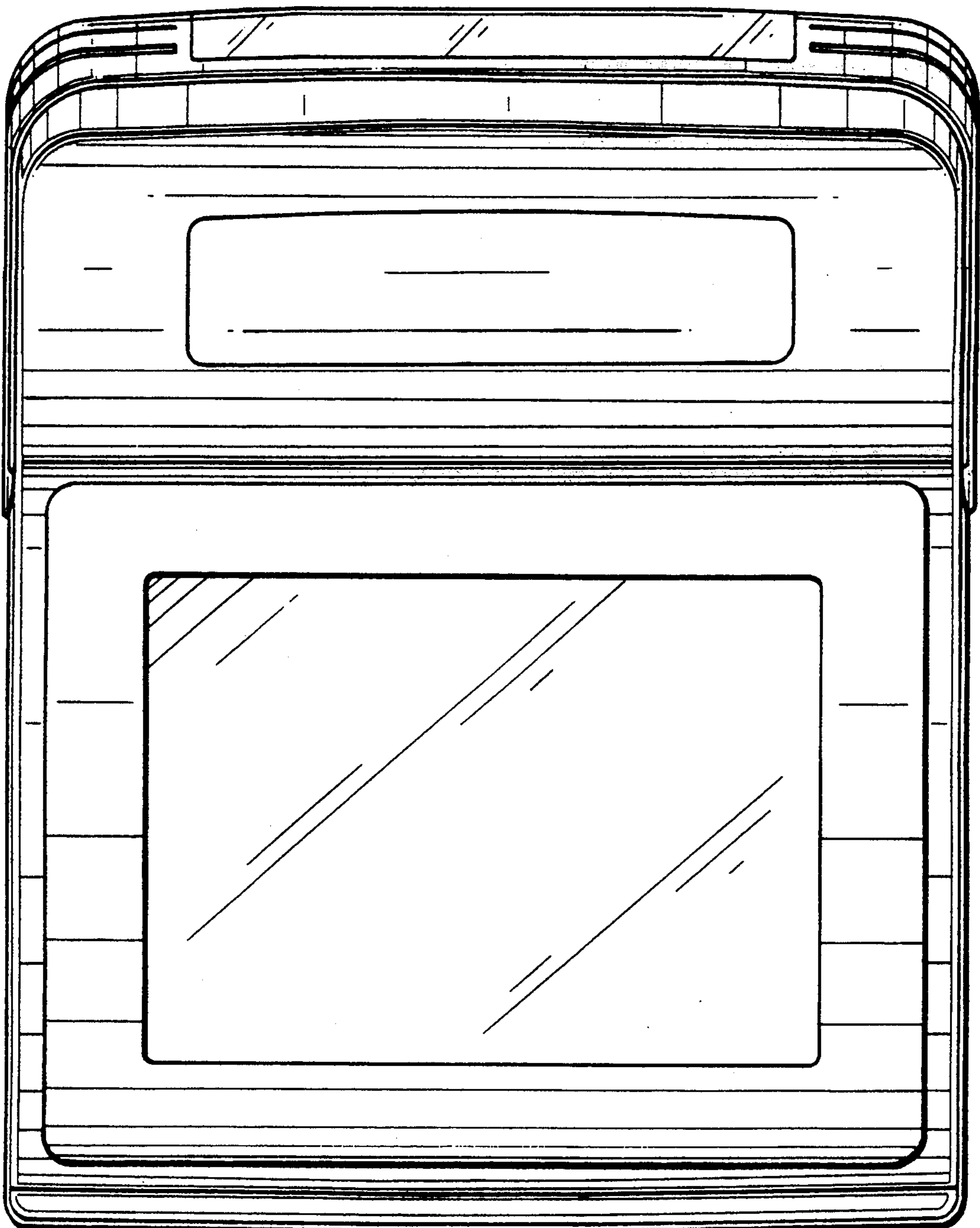


**FIG. 1**

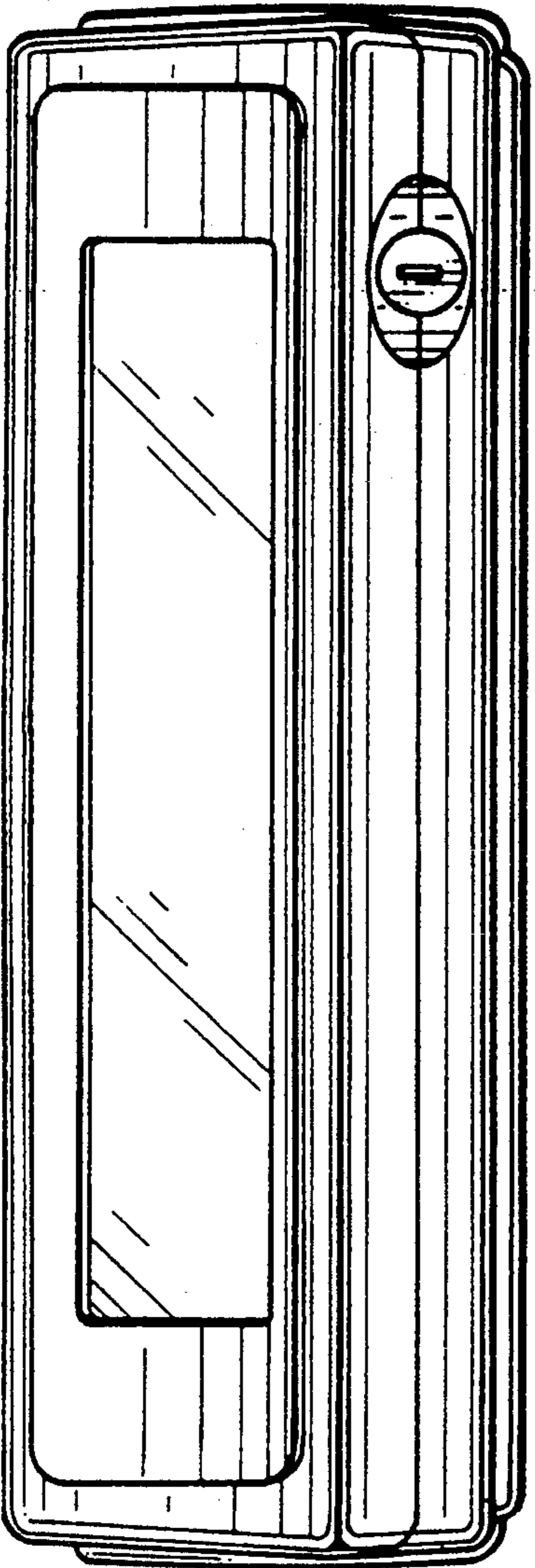


**FIG. 2**

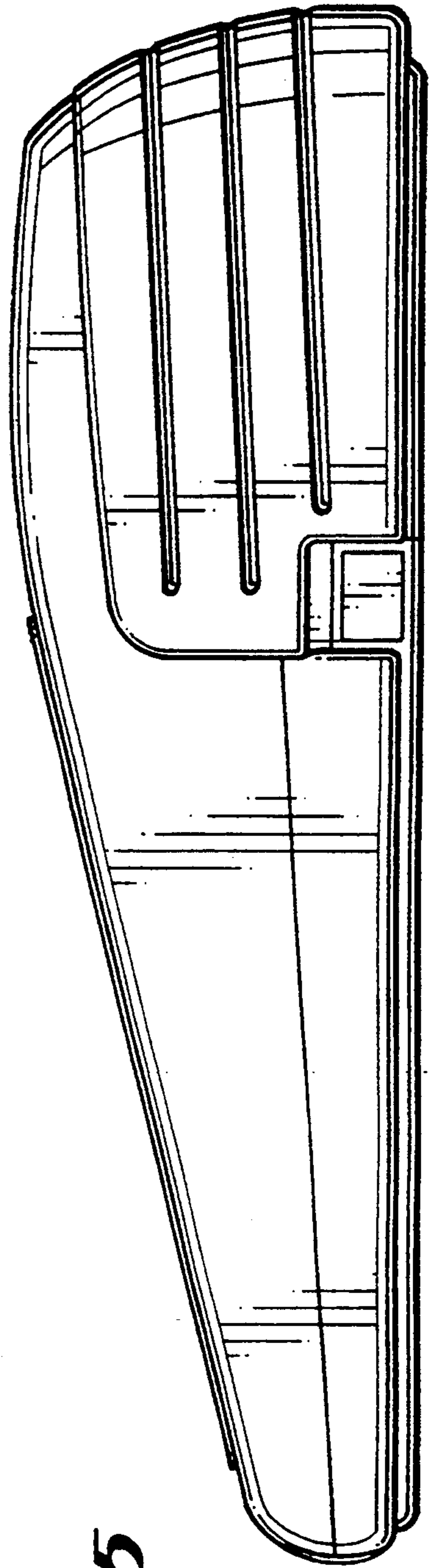
**FIG. 3**



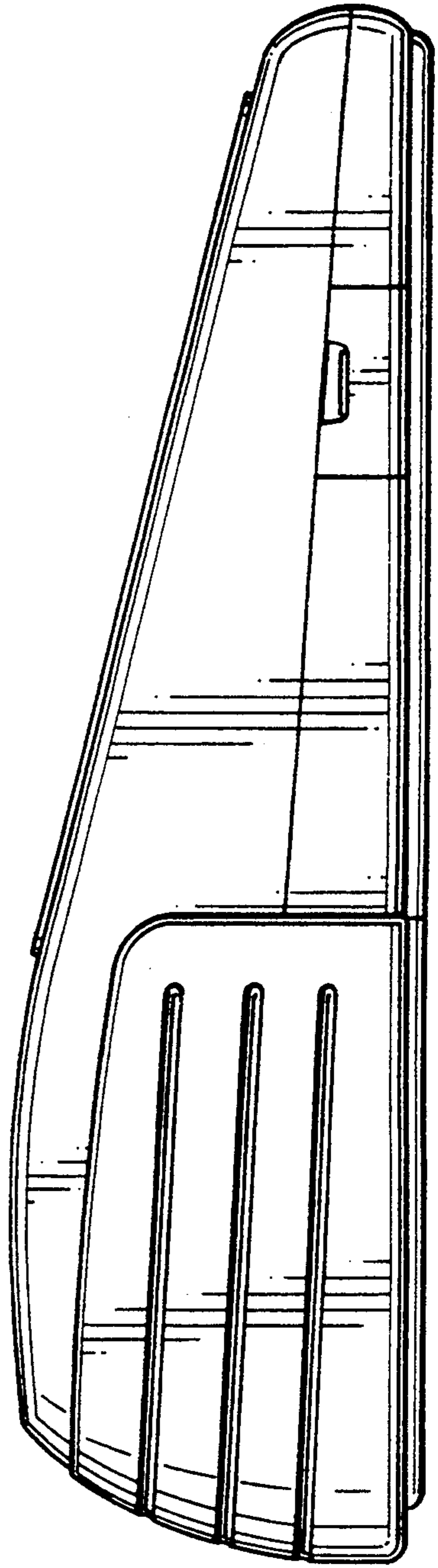
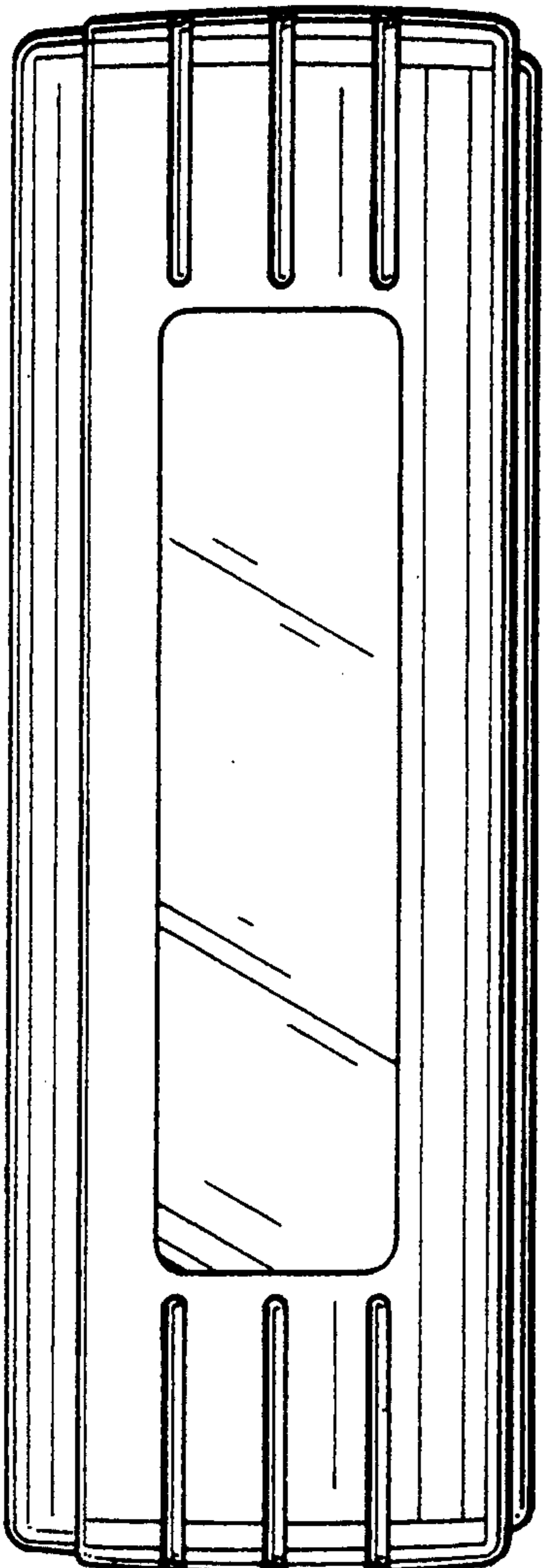
**FIG. 4**



**FIG. 5**



**FIG. 6**



**FIG. 7**

*FIG. 8*

