



US00D362426S

United States Patent [19]

[11] Patent Number: Des. 362,426

Wilson et al.

[45] Date of Patent: ** Sep. 19, 1995

[54] **COMMAND CONSOLE FOR MONITORING AND CONTROLLING THE WORK FLOW OF INDUSTRIAL AREAS**

- D. 314,370 2/1991 Schott et al. D13/163
- D. 330,544 10/1992 Kane D14/103
- D. 339,571 9/1993 Drabczyk et al. D14/103
- D. 340,229 10/1993 Drabczyk et al. D14/103
- D. 341,575 11/1993 Drabczyk et al. D14/103

[75] Inventors: **Edward A. Wilson**, Glendale; **Norman Ellison**, Phoenix; **Clyde L. Fauss**, Phoenix; **Mike O. Arrieta**, Phoenix, all of Ariz.

OTHER PUBLICATIONS

Engineered Data Products, Inc. *Commanc Centers* brochure.

[73] Assignee: **Honeywell Inc.**, Minneapolis, Minn.

Primary Examiner—Freda S. Nunn
Attorney, Agent, or Firm—A. A. Sapelli

[**] Term: **14 Years**

[21] Appl. No.: **15,636**

[57] CLAIM

[22] Filed: **Nov. 5, 1993**

The ornamental design for an command console for monitoring and controlling the work flow of industrial areas, as shown and described.

[52] U.S. Cl. **D14/103; D14/104**

[58] Field of Search **D14/100, 103, 104, 113, D14/127; D6/421, 422, 423, 425; D13/163, 184; 312/194, 198, 208.1, 223.2, 223.3, 194, 198; 364/550, 551.01, 570, 571/04, 571.07, 571.08, 579; D10/46; D15/199**

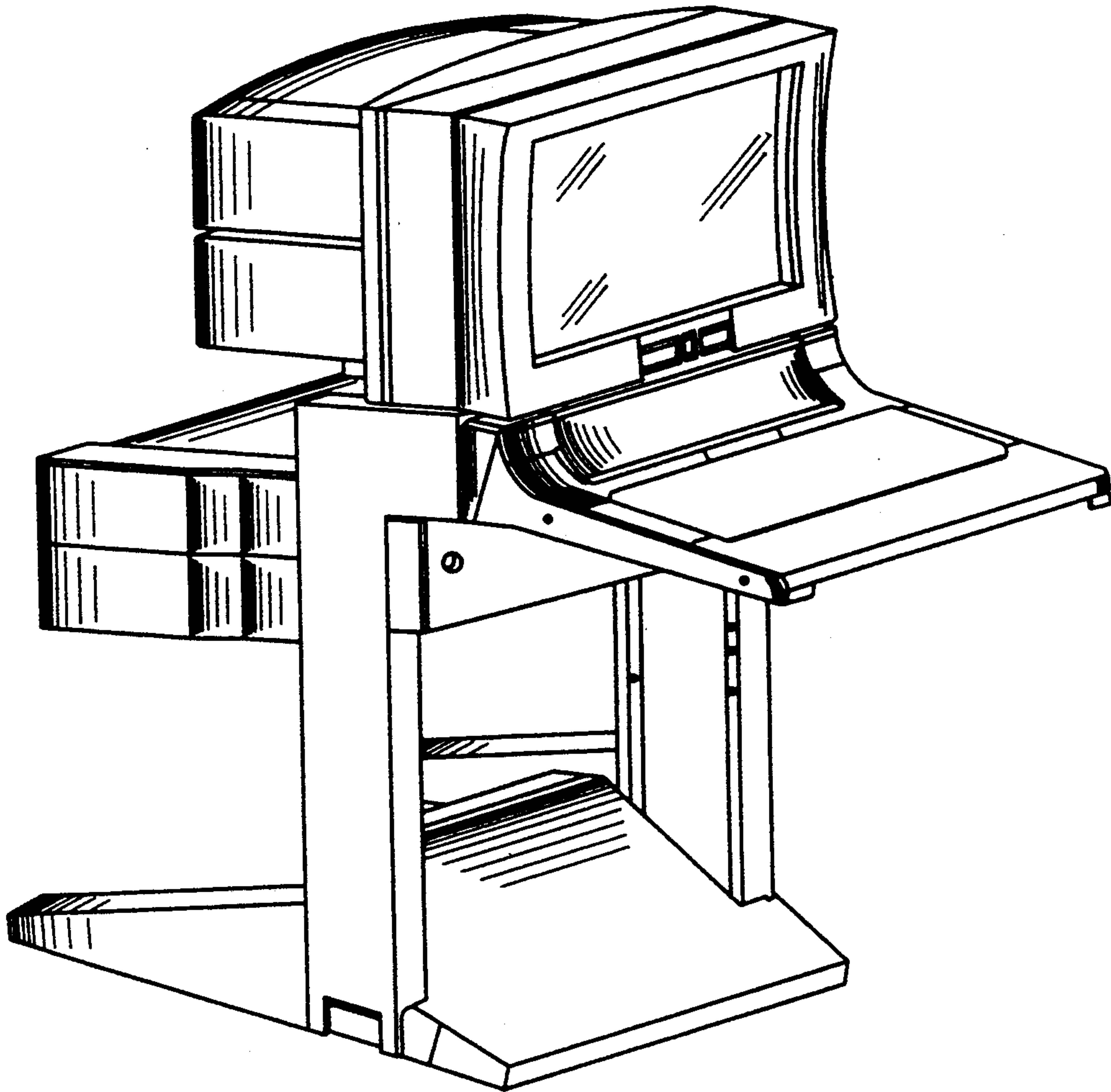
DESCRIPTION

FIG. 1 is an isometric view of the command console for monitoring and controlling the work flow of industrial areas including a display tube and table top; and, FIG. 2 is a rear isometric view of the command console for monitoring and controlling the work flow of industrial areas of FIG. 1.

[56] References Cited

U.S. PATENT DOCUMENTS

D. 284,194 6/1986 Golden et al. D14/103



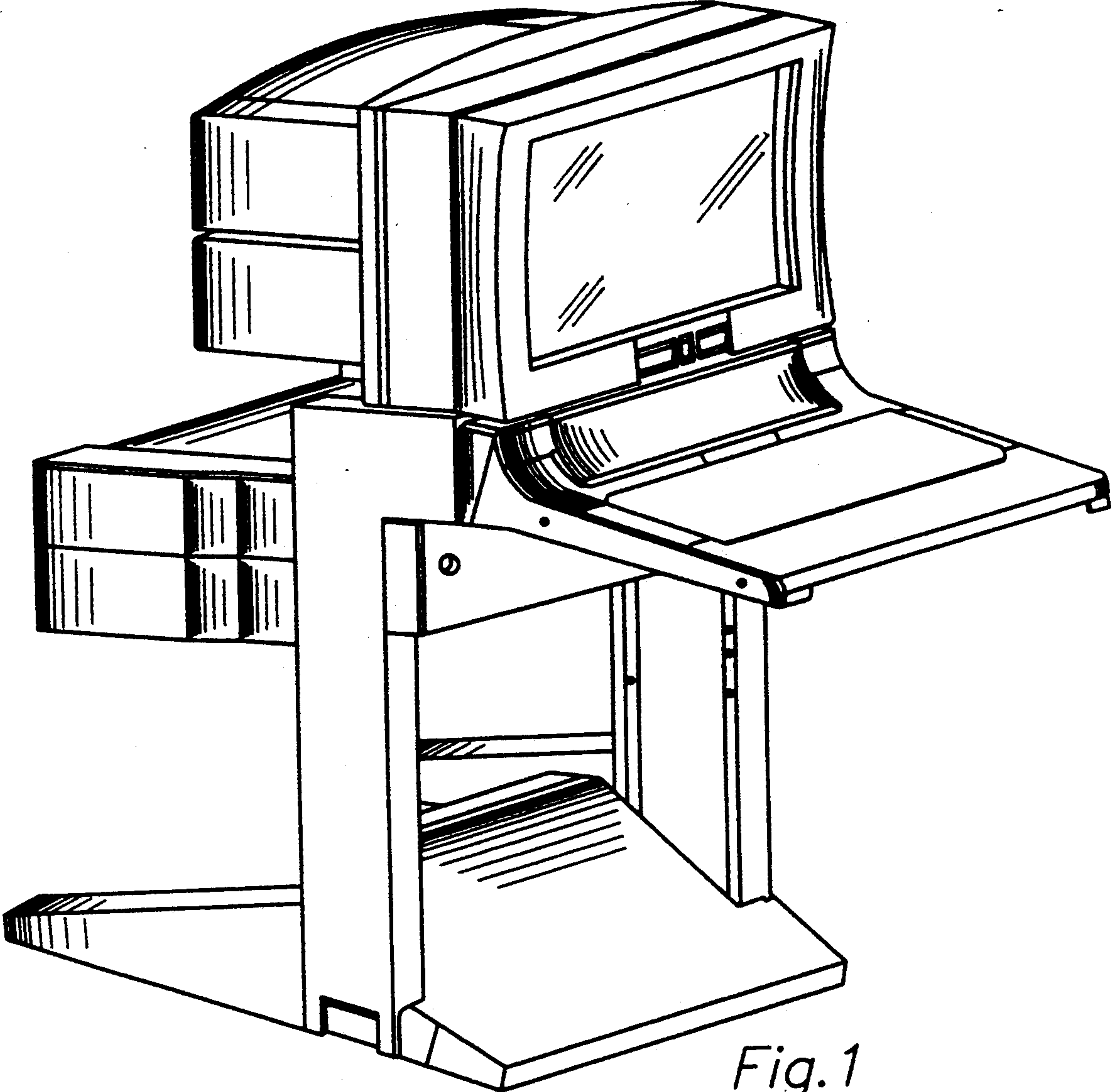


Fig. 1

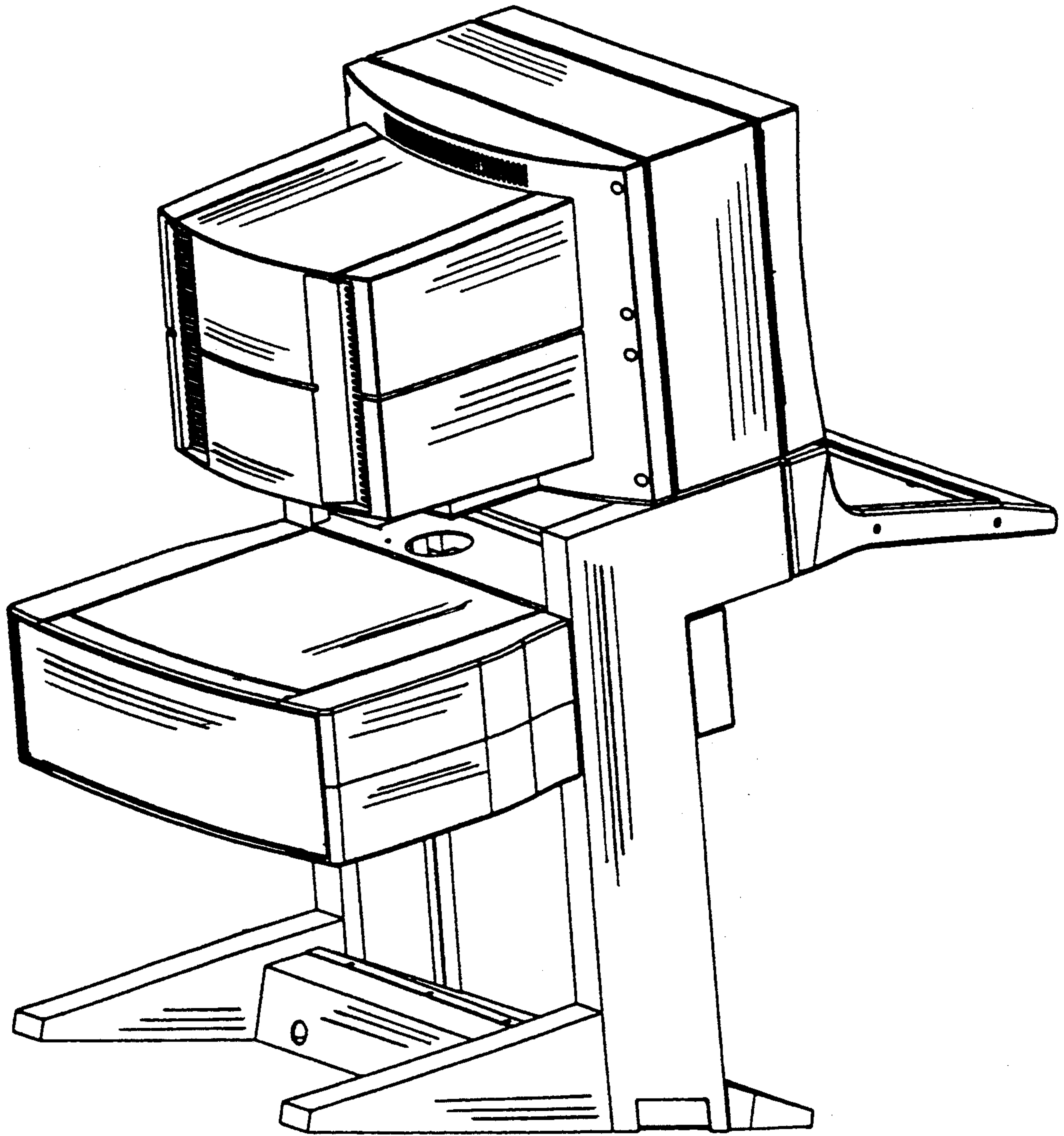


Fig. 2