



US00D362424S

United States Patent [19]

[11] Patent Number: **Des. 362,424**

Sumita et al.

[45] Date of Patent: **** Sep. 19, 1995**

[54] **RECHARGEABLE BATTERY**

[75] Inventors: **Kaoru Sumita, Tokyo; Akinari Mouri, both of Tokyo, Japan**

[73] Assignee: **Sony Corporation, Tokyo, Japan**

[*] Notice: The portion of the term of this patent subsequent to Mar. 28, 2009 has been disclaimed.

[**] Term: **14 Years**

[21] Appl. No.: **4,844**

[22] Filed: **Feb. 2, 1993**

[30] **Foreign Application Priority Data**

Aug. 7, 1992 [JP]	Japan	4-23771
[52] U.S. Cl.		D13/103
[58] Field of Search		D13/103; 429/7, 96, 429/97, 99, 100, 123, 163; 320/2

[56] **References Cited**

U.S. PATENT DOCUMENTS

D. 305,639	1/1990	Miki et al.	D13/103
4,943,498	7/1990	Cooper et al.	429/100 X
5,259,786	11/1993	Huang	429/100 X

FOREIGN PATENT DOCUMENTS

402095 11/1974 U.S.S.R. 429/99

OTHER PUBLICATIONS

VCR and camcorder batteries on p. 108 of *MCM Electronics* summer 1991 catalog.

Primary Examiner—Joel Sincavage
Attorney, Agent, or Firm—Jay H. Maioli

[57] **CLAIM**

The ornamental design for a rechargeable battery, as shown.

DESCRIPTION

FIG. 1 is a bottom, front and right-side perspective view of a rechargeable battery, showing our new design;

FIG. 2 is a front elevational view thereof;

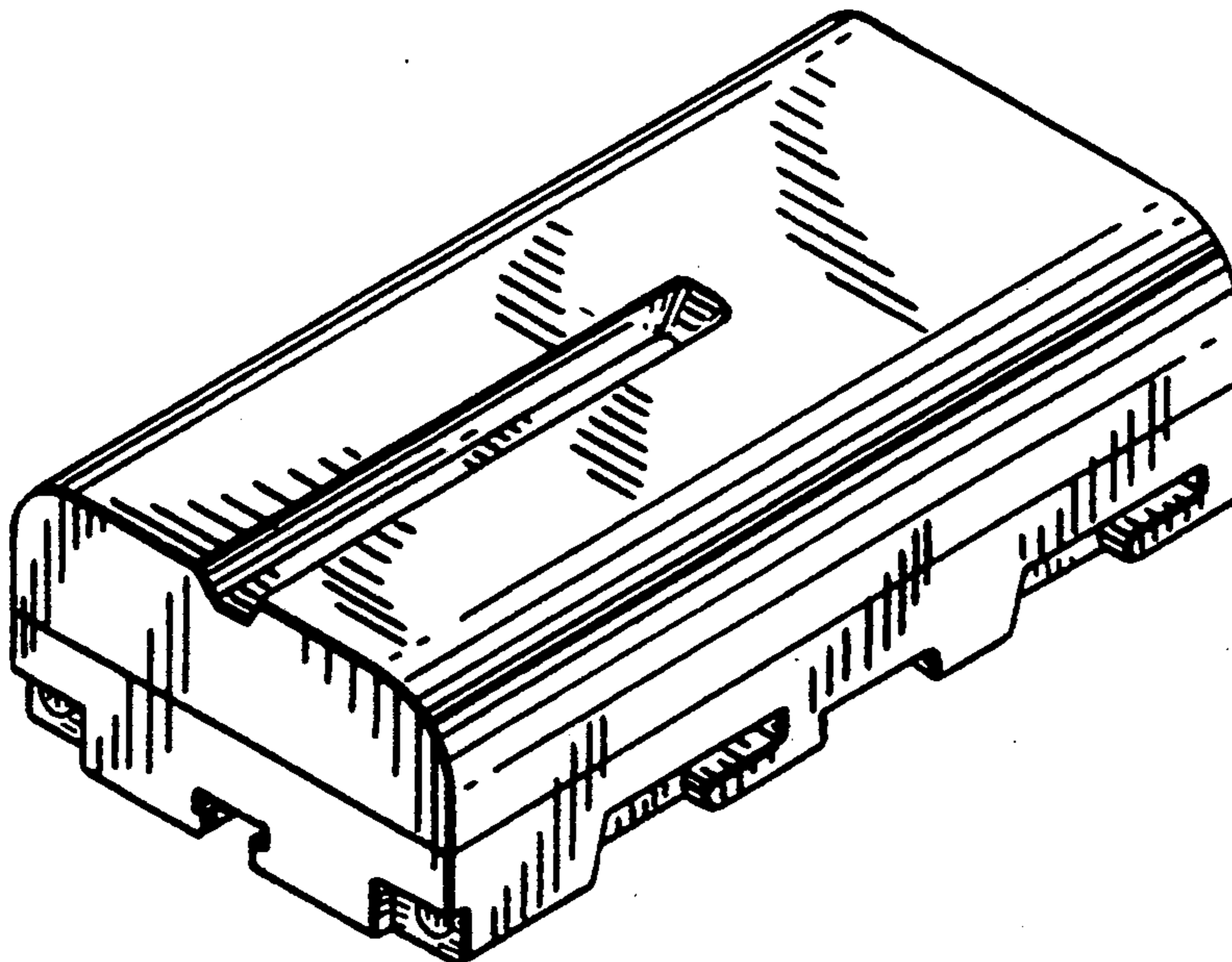
FIG. 3 is a rear elevational view thereof, the broken line showing is included for the purpose of illustrating environmental structure only and forms no part of the claimed design;

FIG. 4 is a left-side elevational view thereof;

FIG. 5 is a right-side elevational view thereof;

FIG. 6 is a top plan view thereof; and,

FIG. 7 is a bottom plan view thereof.



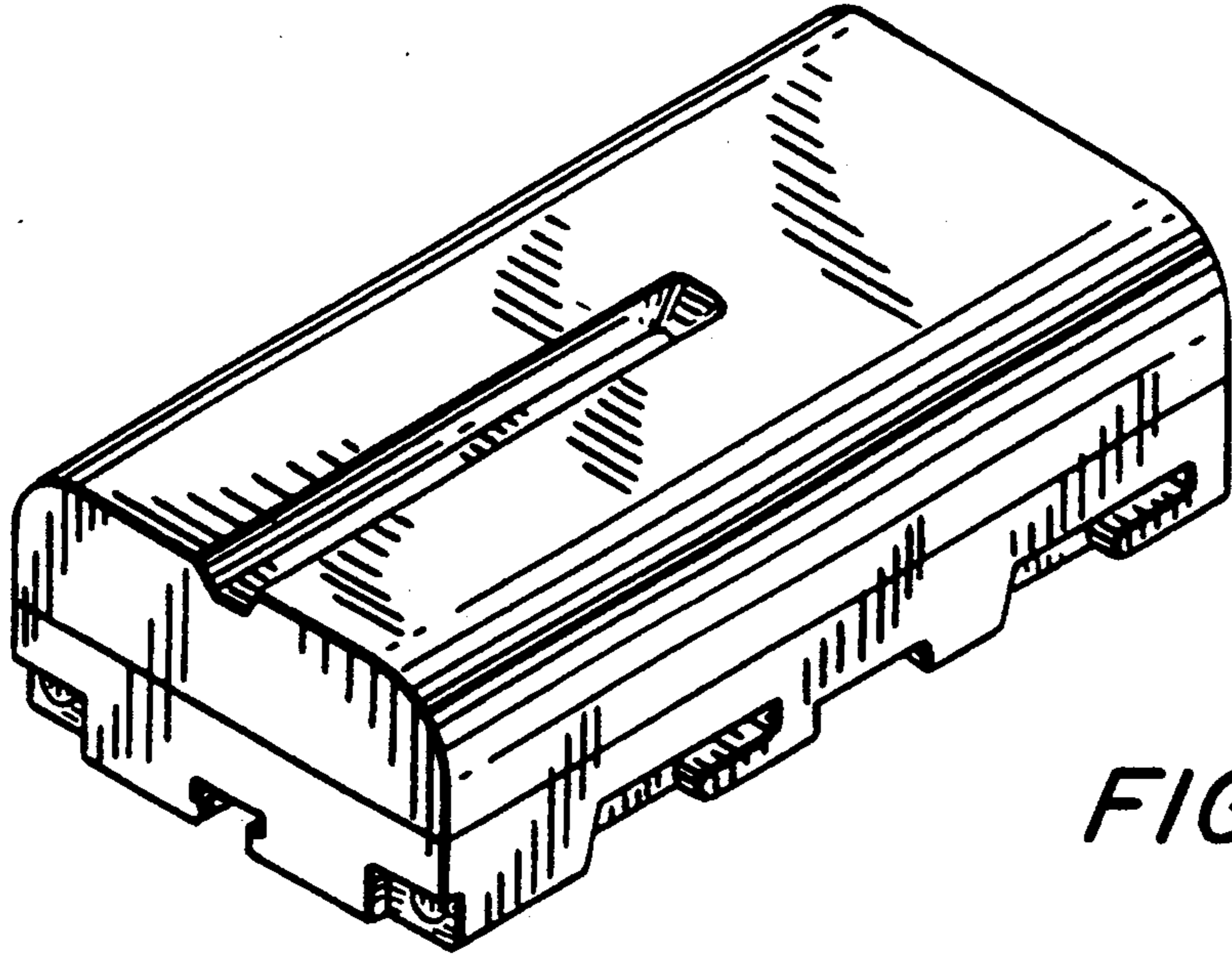


FIG. 1

FIG. 2

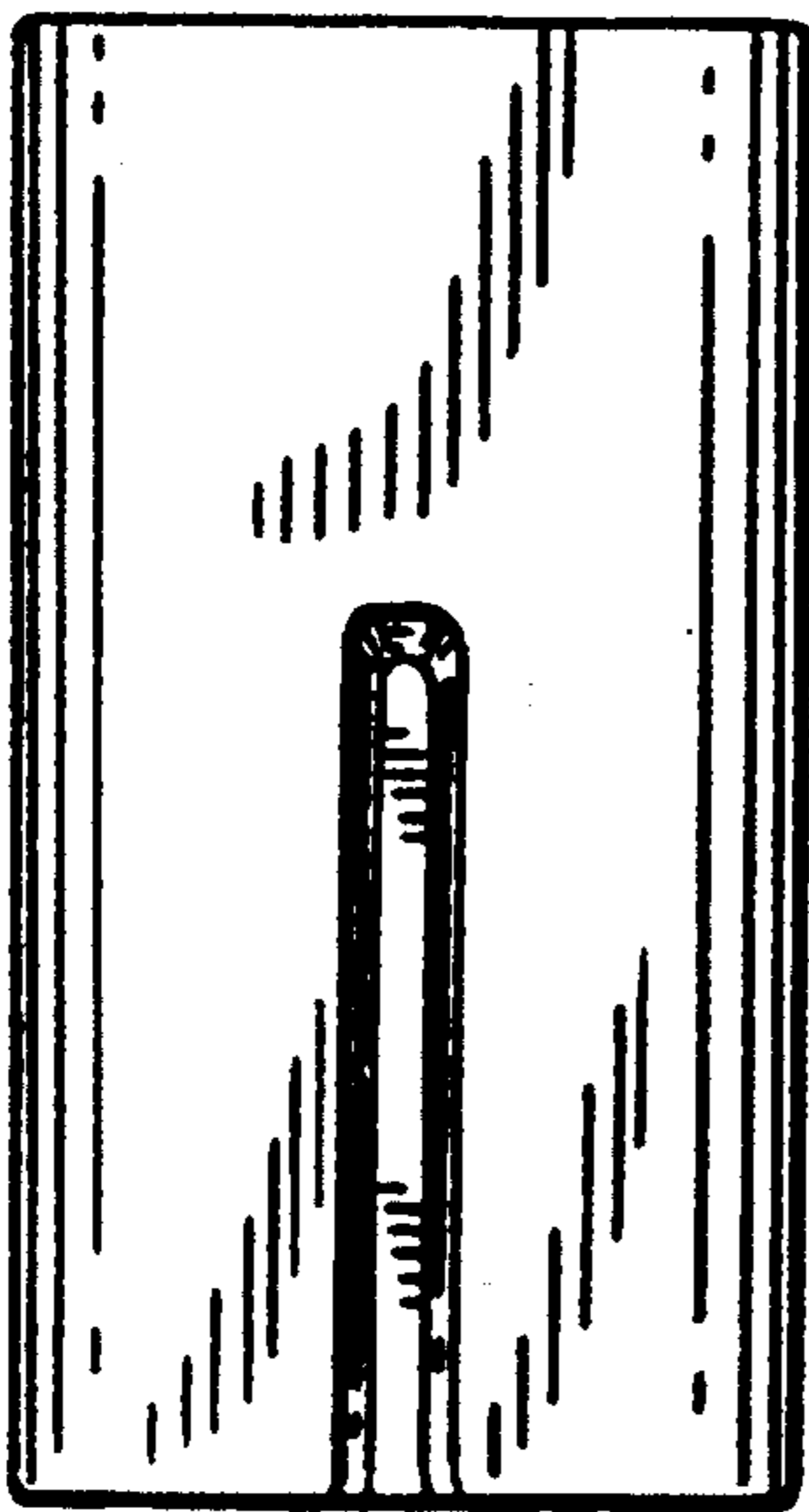


FIG. 3

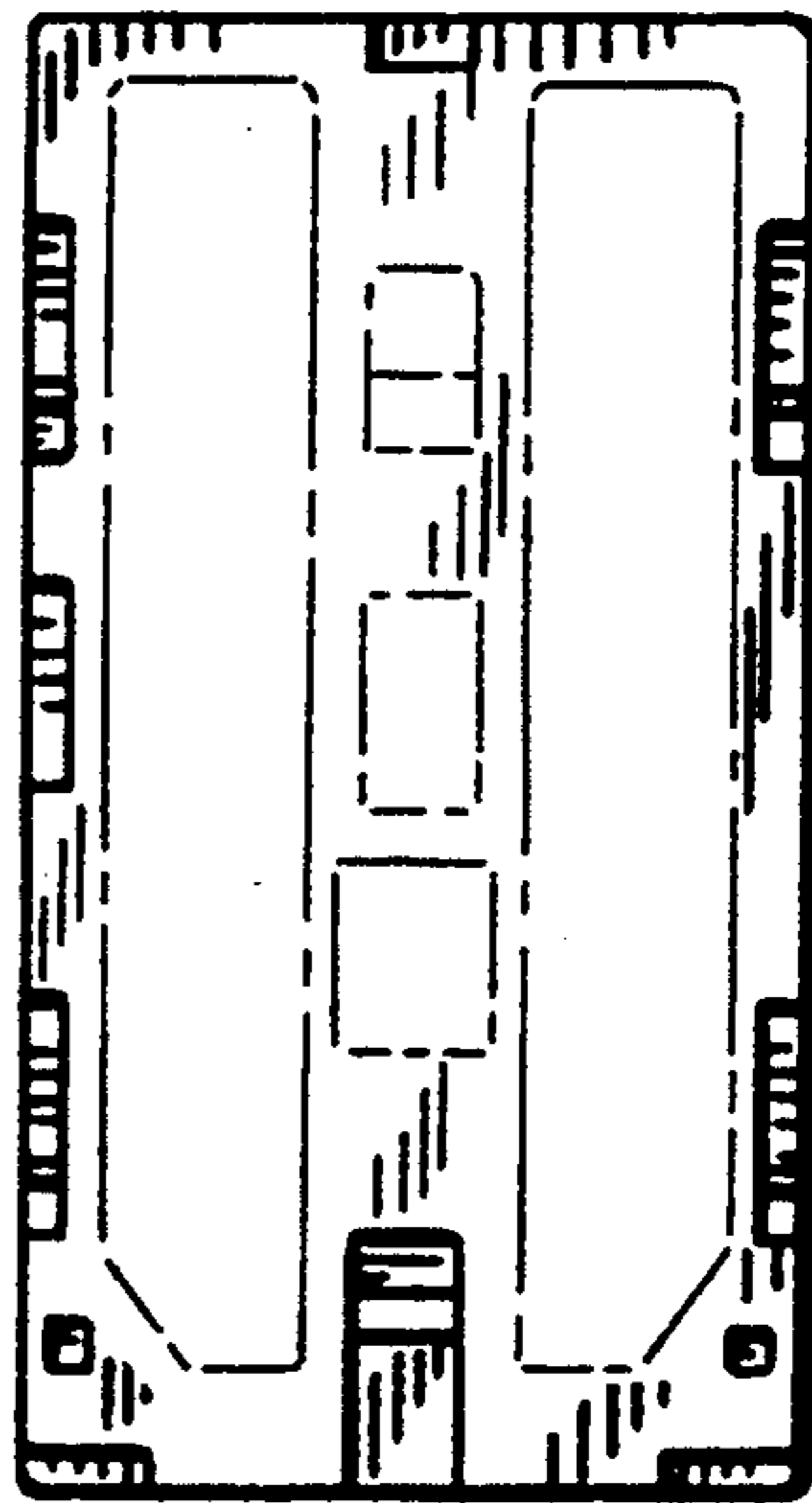


FIG.4



FIG.5

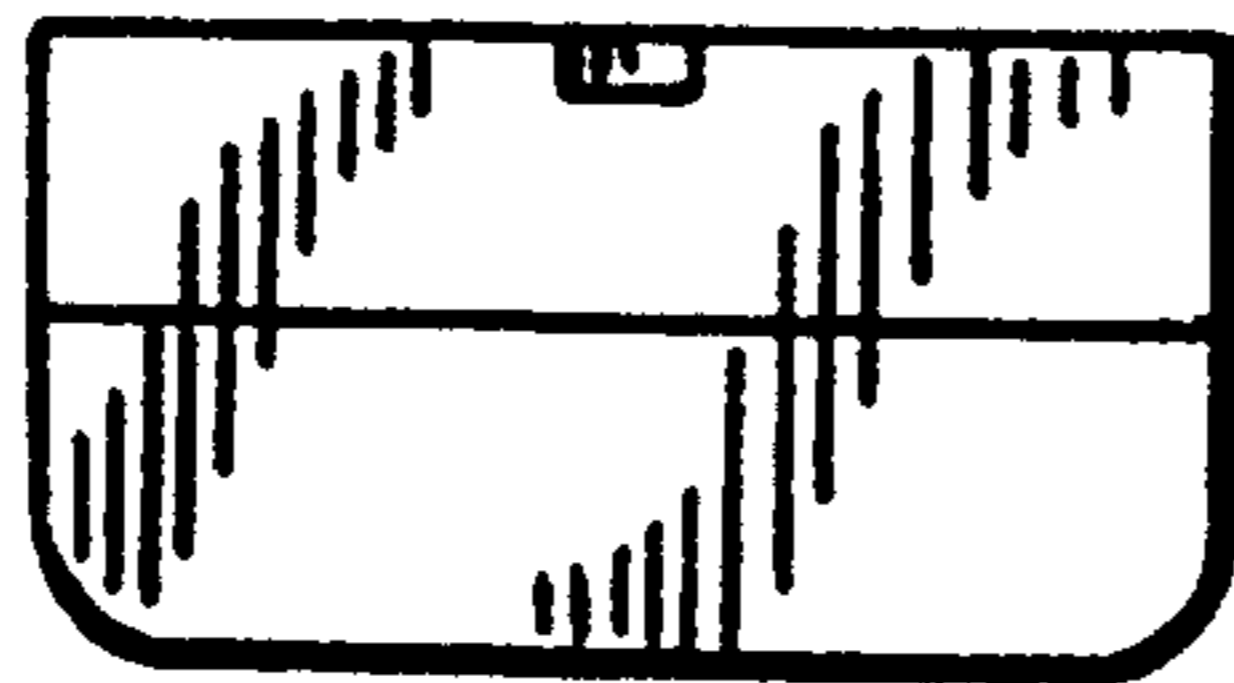


FIG.6

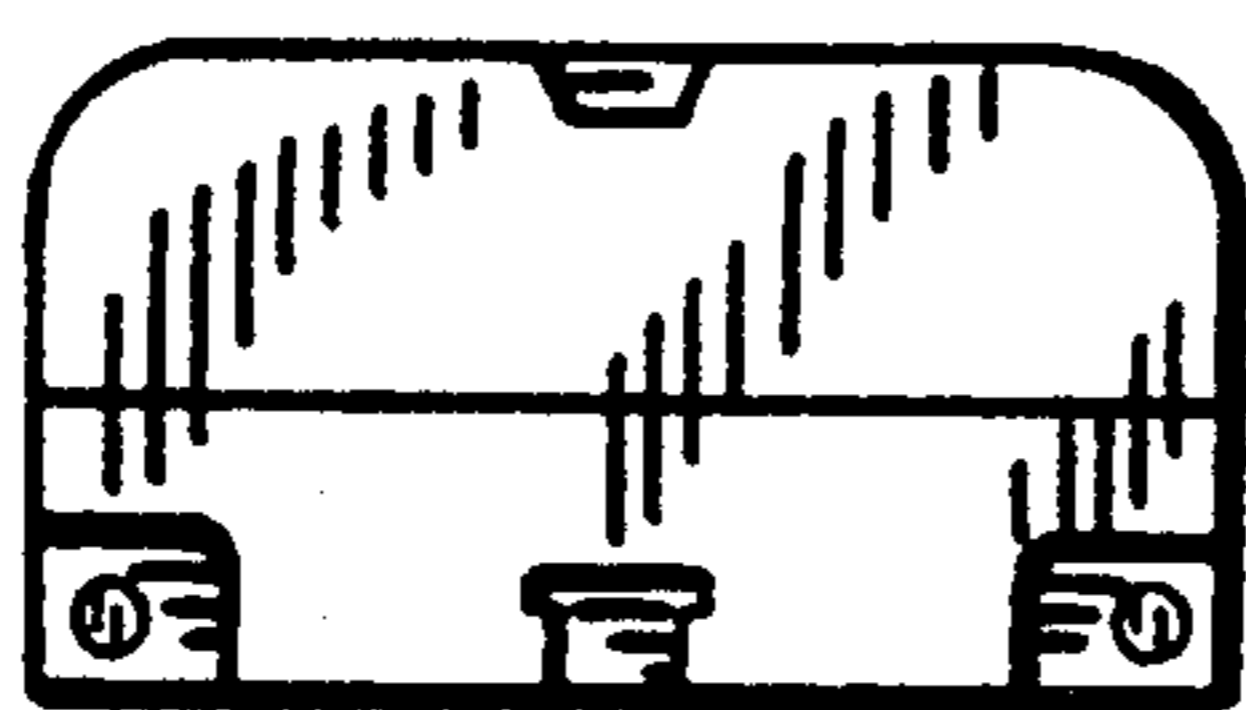


FIG.7