



US00D362419S

# United States Patent [19]

[11] Patent Number: **Des. 362,419**

**Chih**

[45] Date of Patent: **\*\* Sep. 19, 1995**

[54] **BABY CARRIAGE**

[75] Inventor: **Lin C. Chih**, Tainan Hsien, Taiwan

[73] Assignee: **Chang Hsing Handicraft Co., Ltd.**,  
Tainan Hsien, Taiwan

[\*\*] Term: **14 Years**

[21] Appl. No.: **29,889**

[22] Filed: **Oct. 18, 1994**

[52] U.S. Cl. .... **D12/129; D34/18**

[58] Field of Search ..... **D12/128, 129; 280/650,**  
**280/62, 658, 47.38, 644, 642**

[56] **References Cited**

**U.S. PATENT DOCUMENTS**

D. 343,812 2/1994 Baechler et al. .... D12/129

D. 350,923 9/1994 Schmidlin et al. .... D12/128  
D. 356,760 3/1995 Baechler ..... D12/129  
5,123,670 6/1992 Chen ..... 280/650  
5,188,389 2/1993 Baechler et al. .... 280/650

*Primary Examiner*—Kay H. Chin

[57] **CLAIM**

The ornamental design for a baby carriage, as shown.

**DESCRIPTION**

FIG. 1 is a perspective view of a baby carriage showing my new design;

FIG. 2 is a front elevational view thereof;

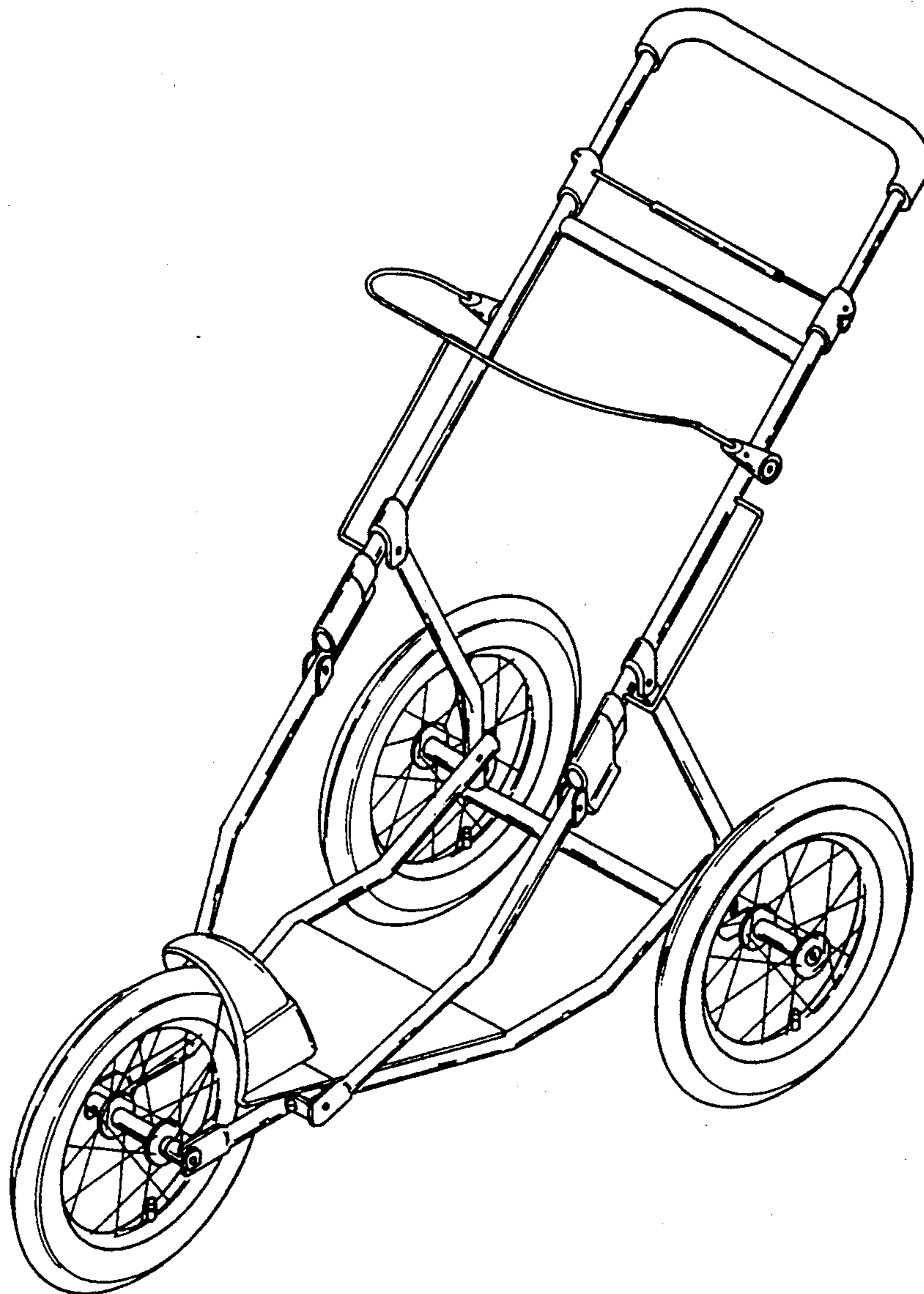
FIG. 3 is a rear elevational view thereof;

FIG. 4 is a left elevational view thereof;

FIG. 5 is a right elevational view thereof;

FIG. 6 is a top plan view thereof; and,

FIG. 7 is a bottom plan view.



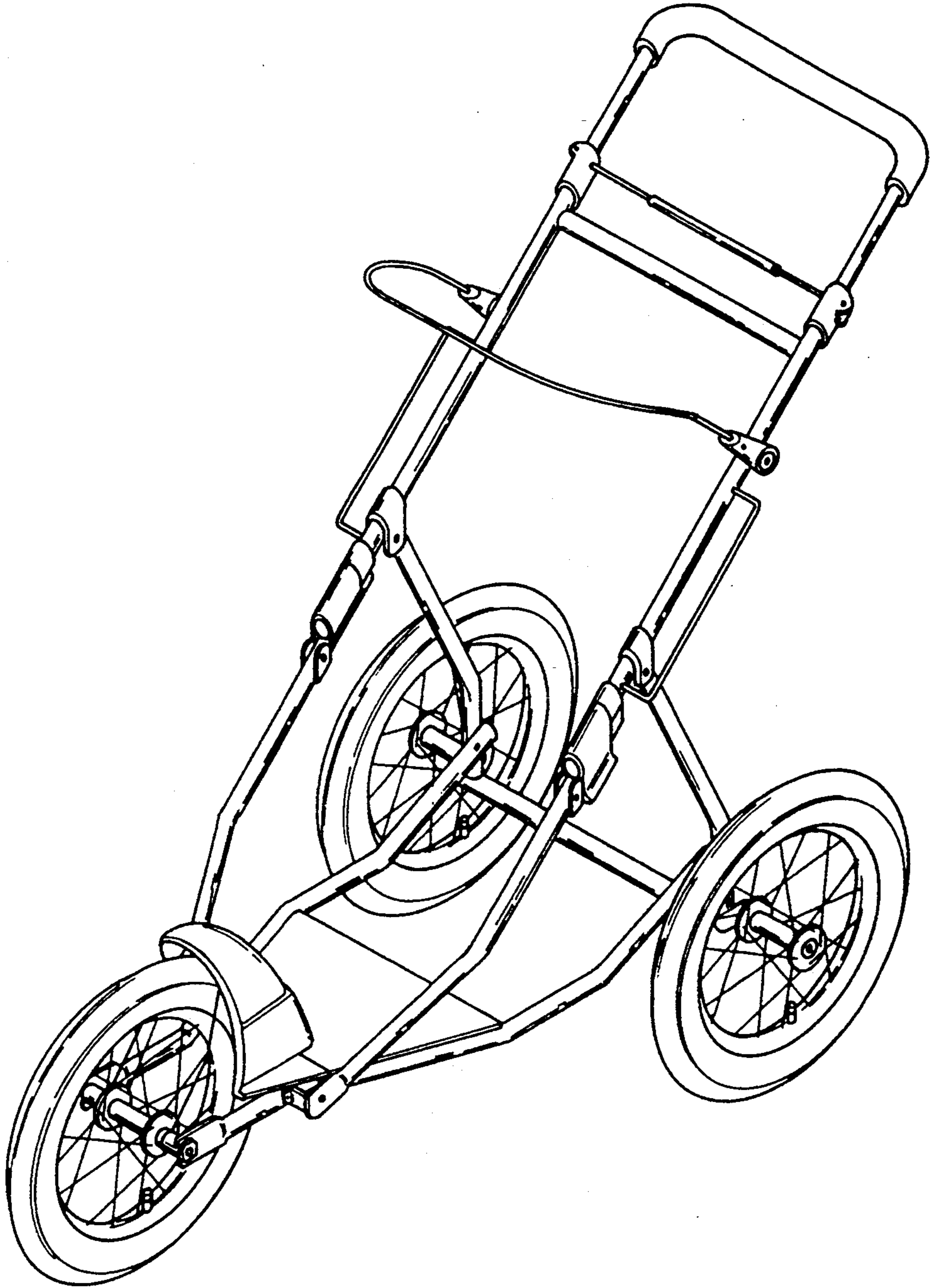


FIG. 1

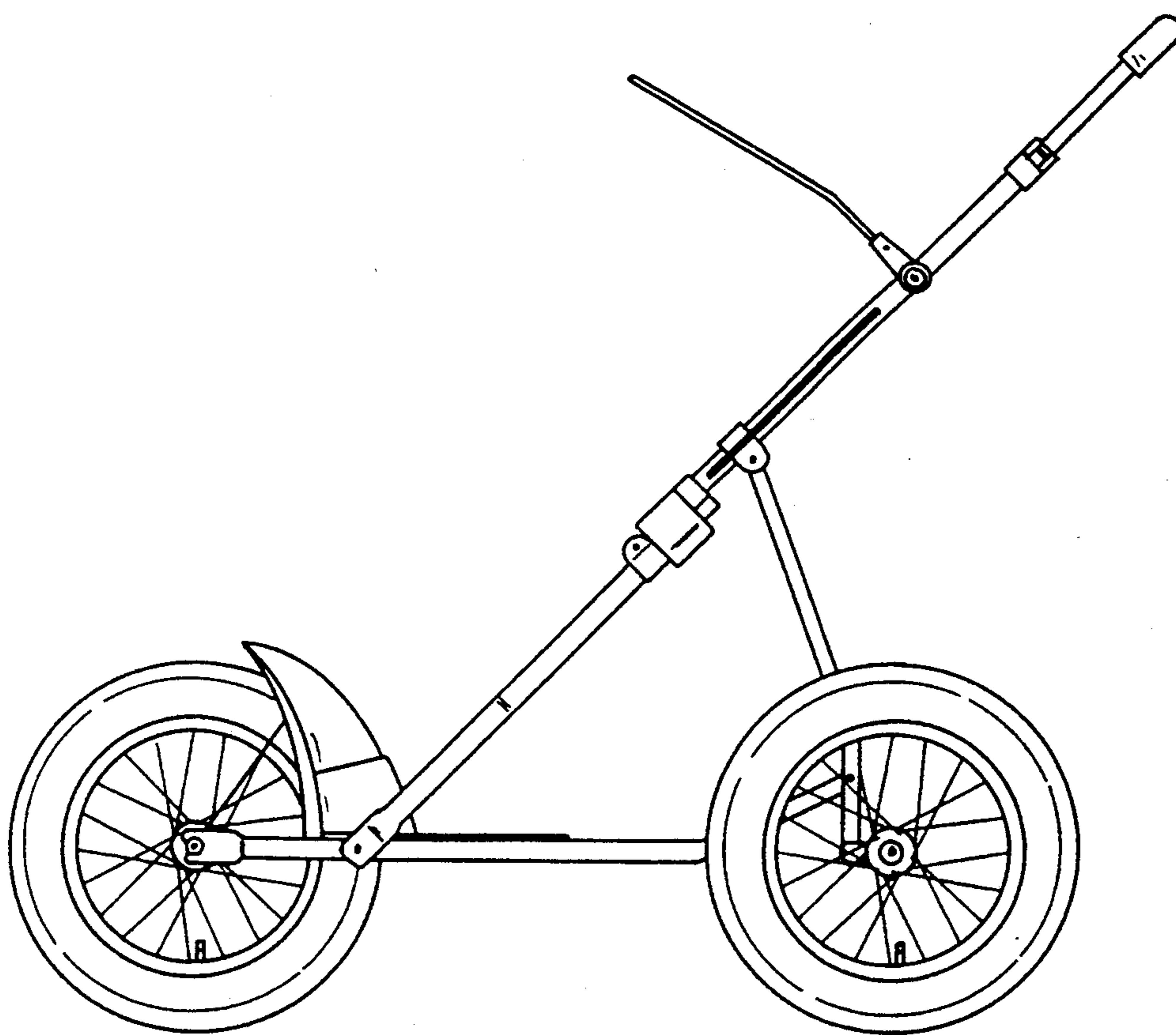


FIG. 2

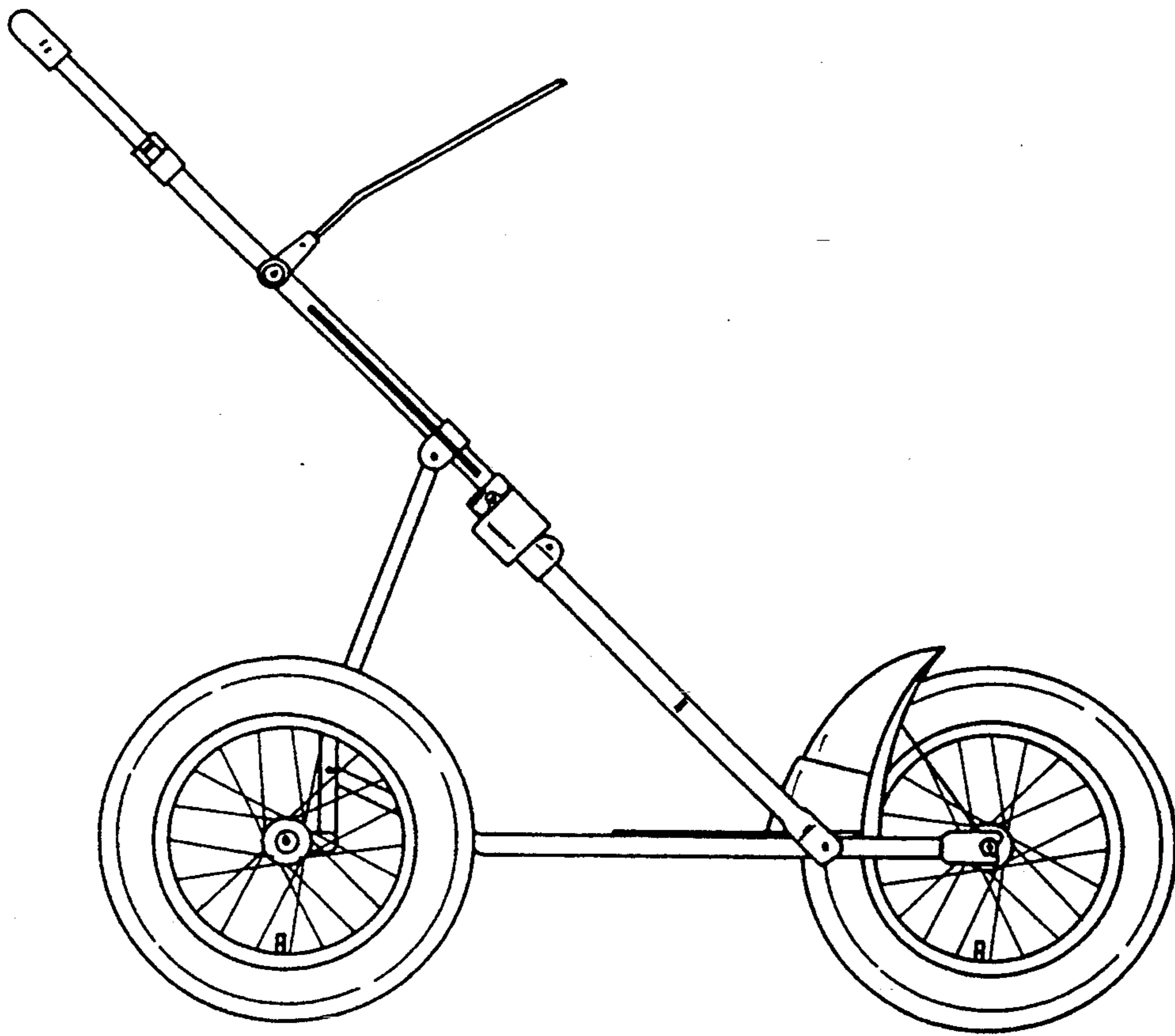


FIG. 3

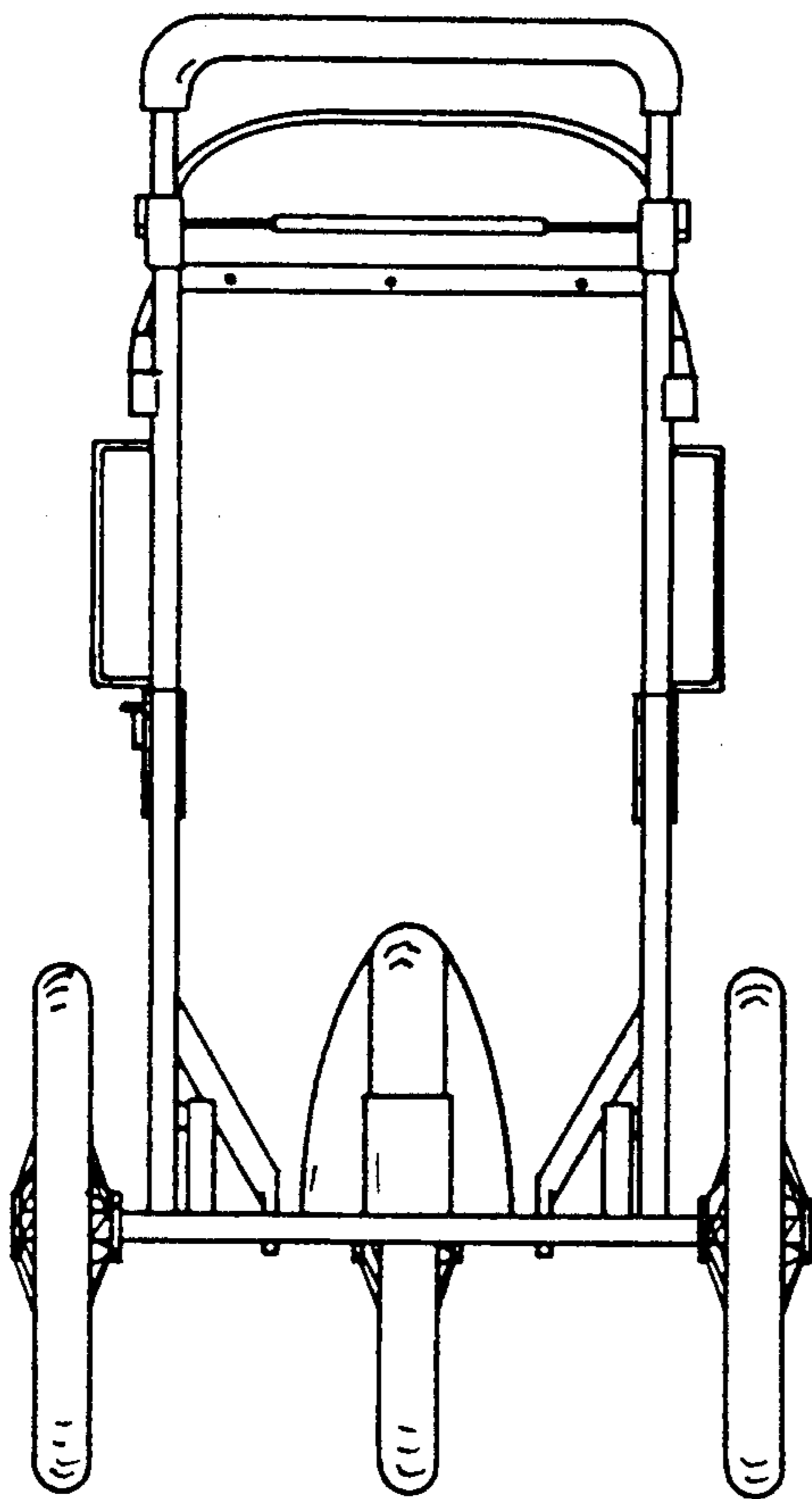


FIG. 5

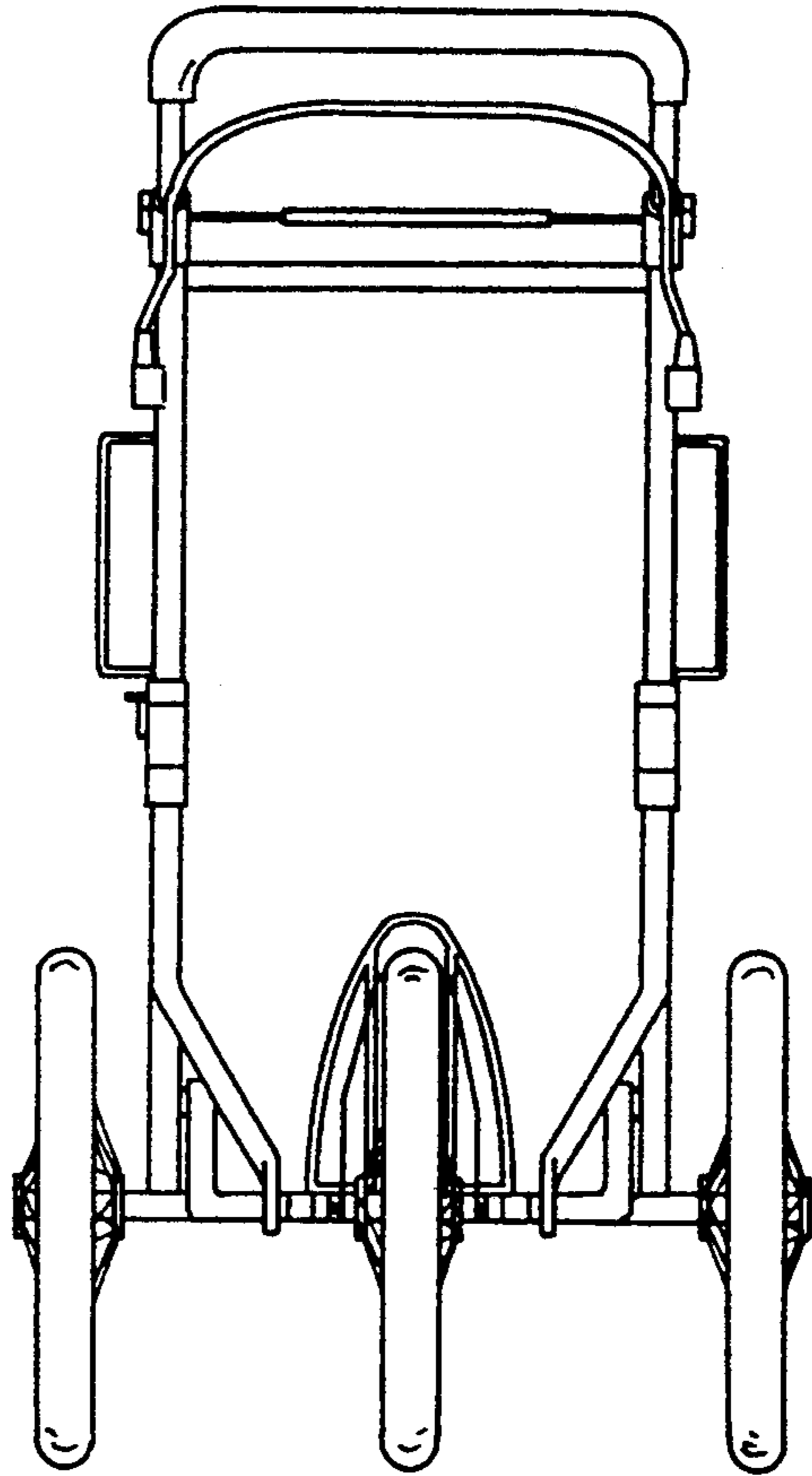


FIG. 4

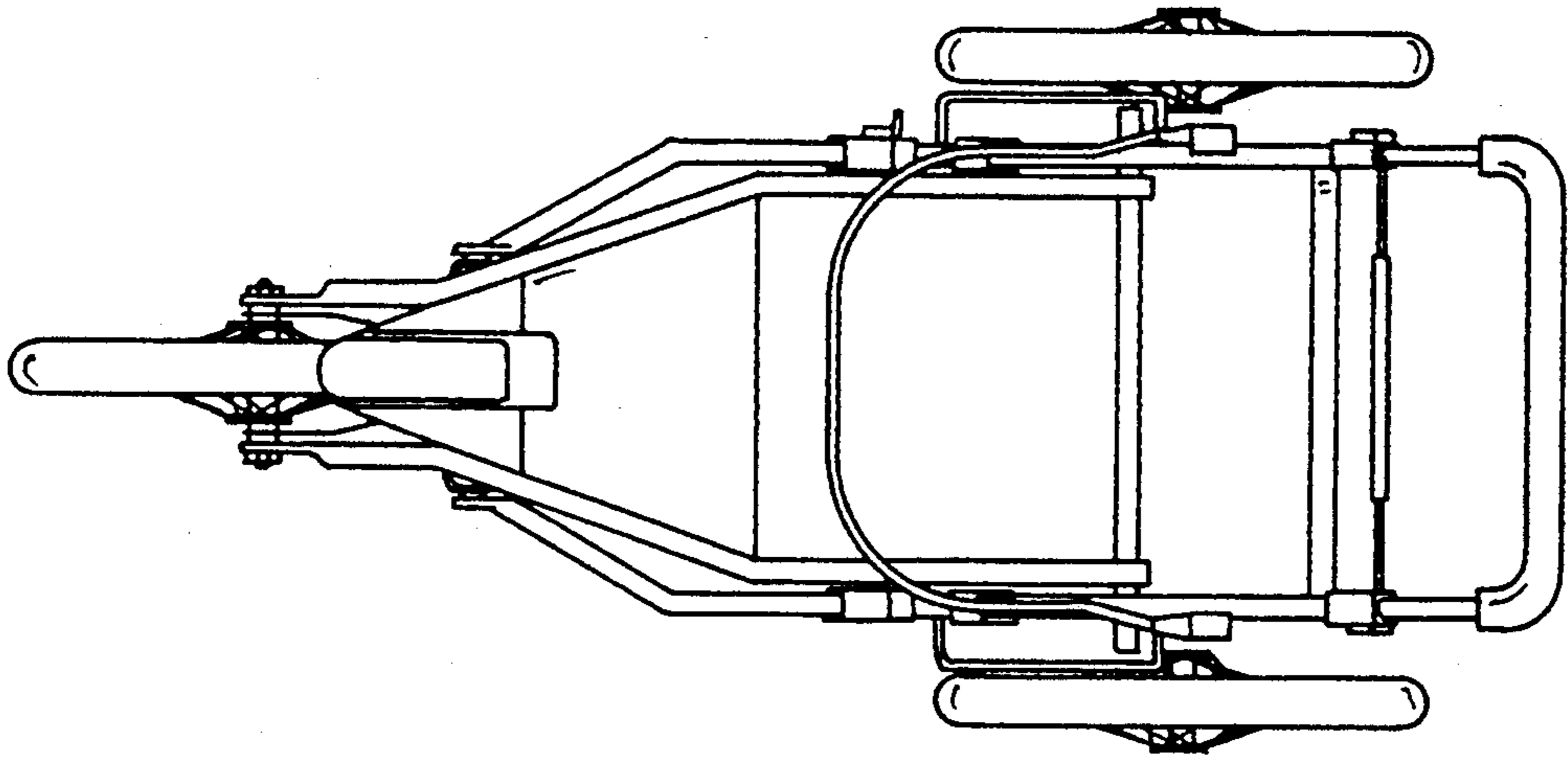


FIG. 6

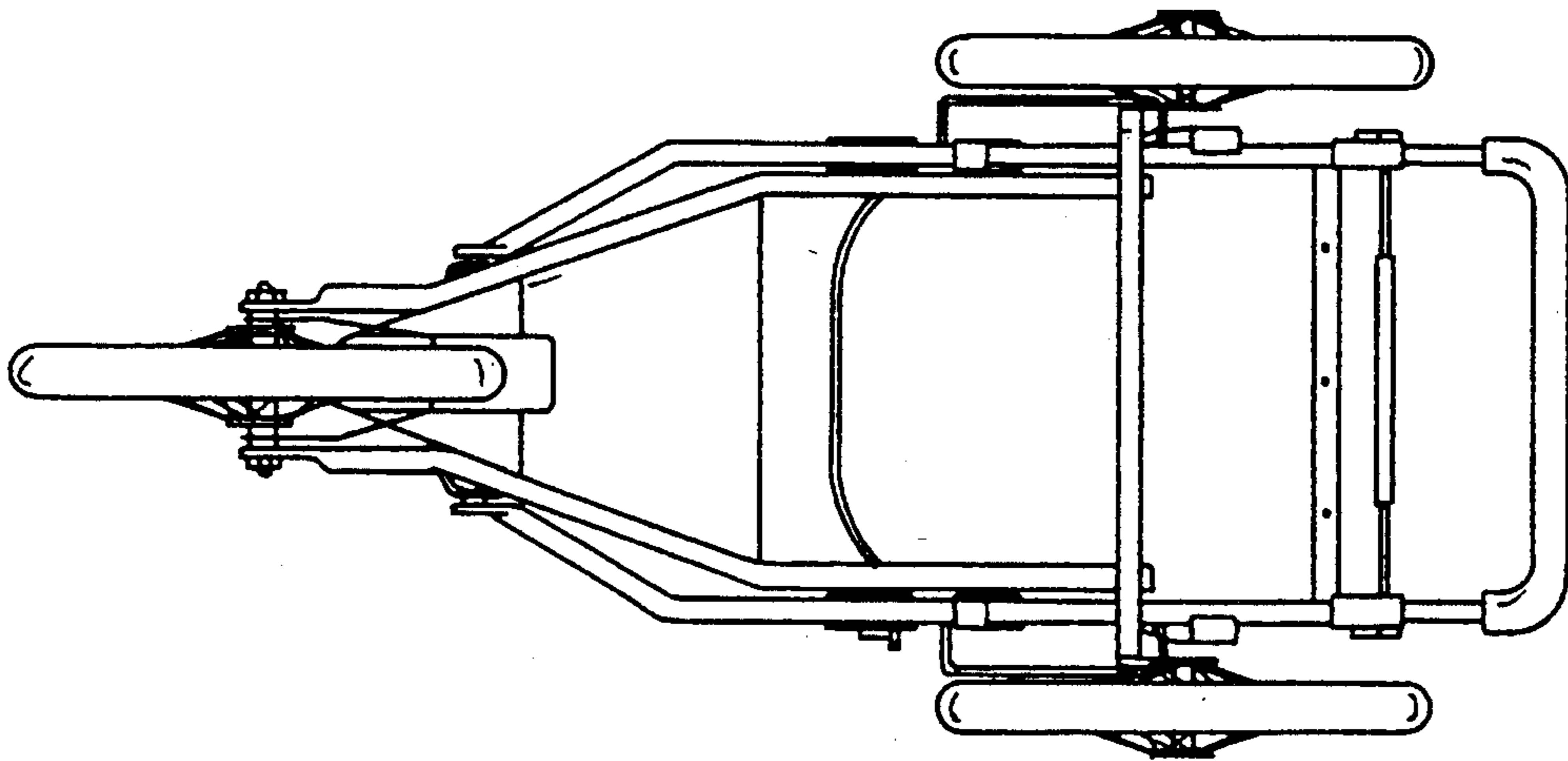


FIG. 7