



US00D362409S

United States Patent [19]

Weder et al.

[11] Patent Number: Des. 362,409

[45] Date of Patent: ** Sep. 19, 1995

- [54] FLOWER POT COVER WITH FINS
- [75] Inventors: Donald E. Weder; Joseph G. Straeter, both of Highland, Ill.
- [73] Assignee: Highland Supply Corporation, Highland, Ill.
- [**] Term: 14 Years
- [21] Appl. No.: 953,578
- [22] Filed: Sep. 29, 1992

3,181,764	5/1965	Lowry	229/1.5 R
4,043,077	8/1977	Stonehocker	47/66
4,347,686	9/1982	Wood	D11/143 X
4,510,712	4/1985	Whitcomb	47/66
4,712,725	12/1987	Moore	229/8
5,076,011	12/1991	Stehouwer	D11/164
5,117,584	6/1992	Ottenwalder et al.	47/72

Related U.S. Application Data

- [63] Continuation-in-part of Ser. No. 781,453, Oct. 21, 1991, Pat. No. Des. 348,634, which is a continuation-in-part of Ser. No. 617,454, Nov. 21, 1990, abandoned, Ser. No. 411,249, Sep. 22, 1989, Ser. No. 411,247, Sep. 22, 1989, and Ser. No. 411,245, Sep. 22, 1989.
- [52] U.S. Cl. D11/164; D11/152
- [58] Field of Search D11/143, 149, 152, 153, D11/154, 155, 156, 164; 47/66, 72; 206/423; 215/100.5; 229/1.5 B, 1.5 R, 4.5, 922, 930, 87.01; 428/27, 35, 542.6, 24

References Cited

U.S. PATENT DOCUMENTS

D. 173,003	9/1954	Yellin	D11/149 X
D. 207,174	3/1967	Rowbottam	D11/143
D. 239,192	3/1976	Wiles et al.	D35/3 A
D. 254,659	4/1980	Karotseris	D11/143
D. 315,881	4/1991	Weder	D11/164
D. 316,061	4/1991	Weder	D11/164
D. 324,659	3/1992	Stehouwer	D11/164
D. 348,634	7/1994	Weder et al.	D11/164
1,714,293	5/1929	Batdorf	229/1.5 B
1,951,642	8/1932	Augustin et al.	47/34

FOREIGN PATENT DOCUMENTS

2489126	3/1982	France	47/72
2603159	4/1988	France	.

OTHER PUBLICATIONS

Exhibit A-Speed Cover ® Brochure-The Simple Solution . . . , ©1989.

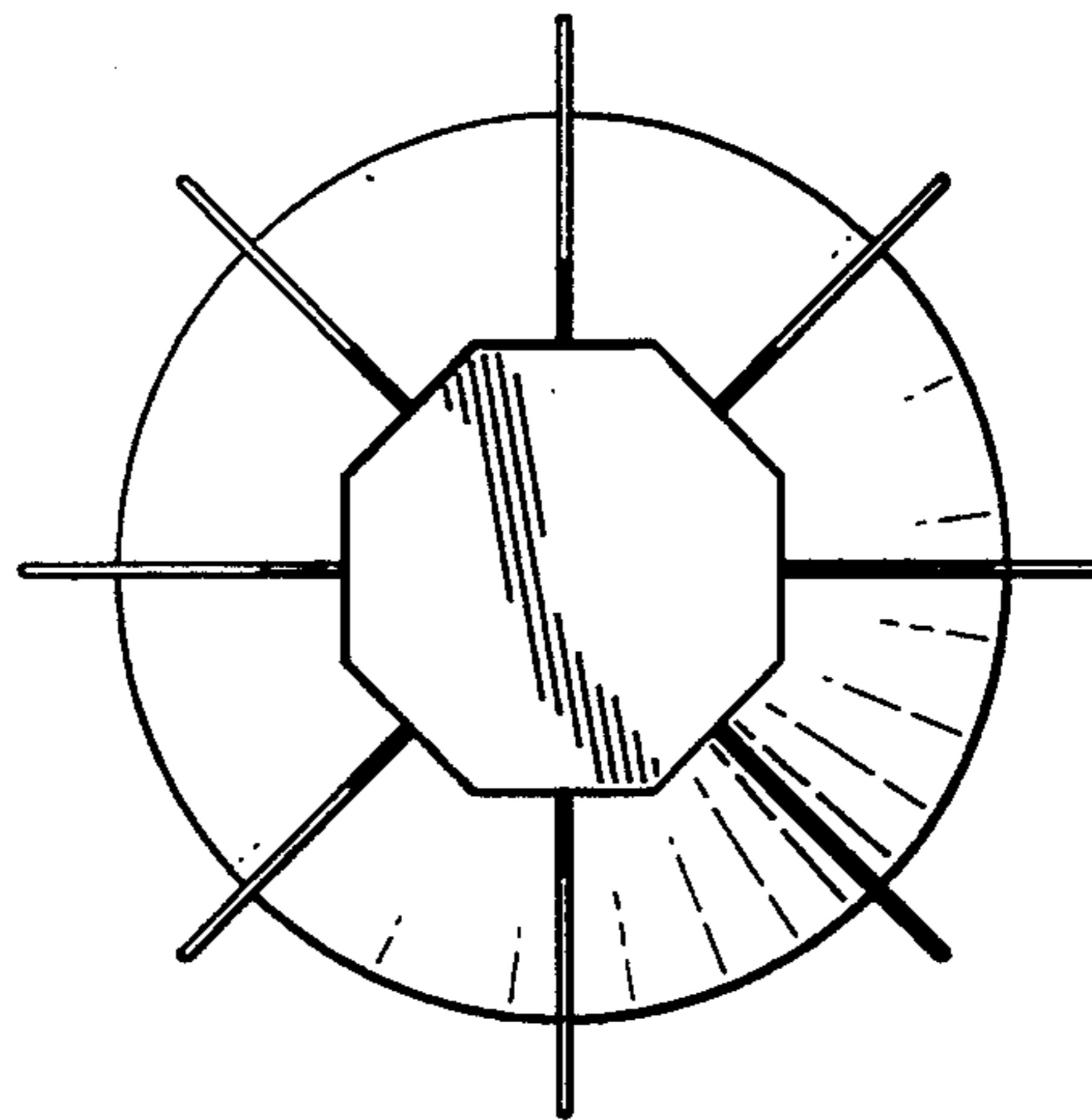
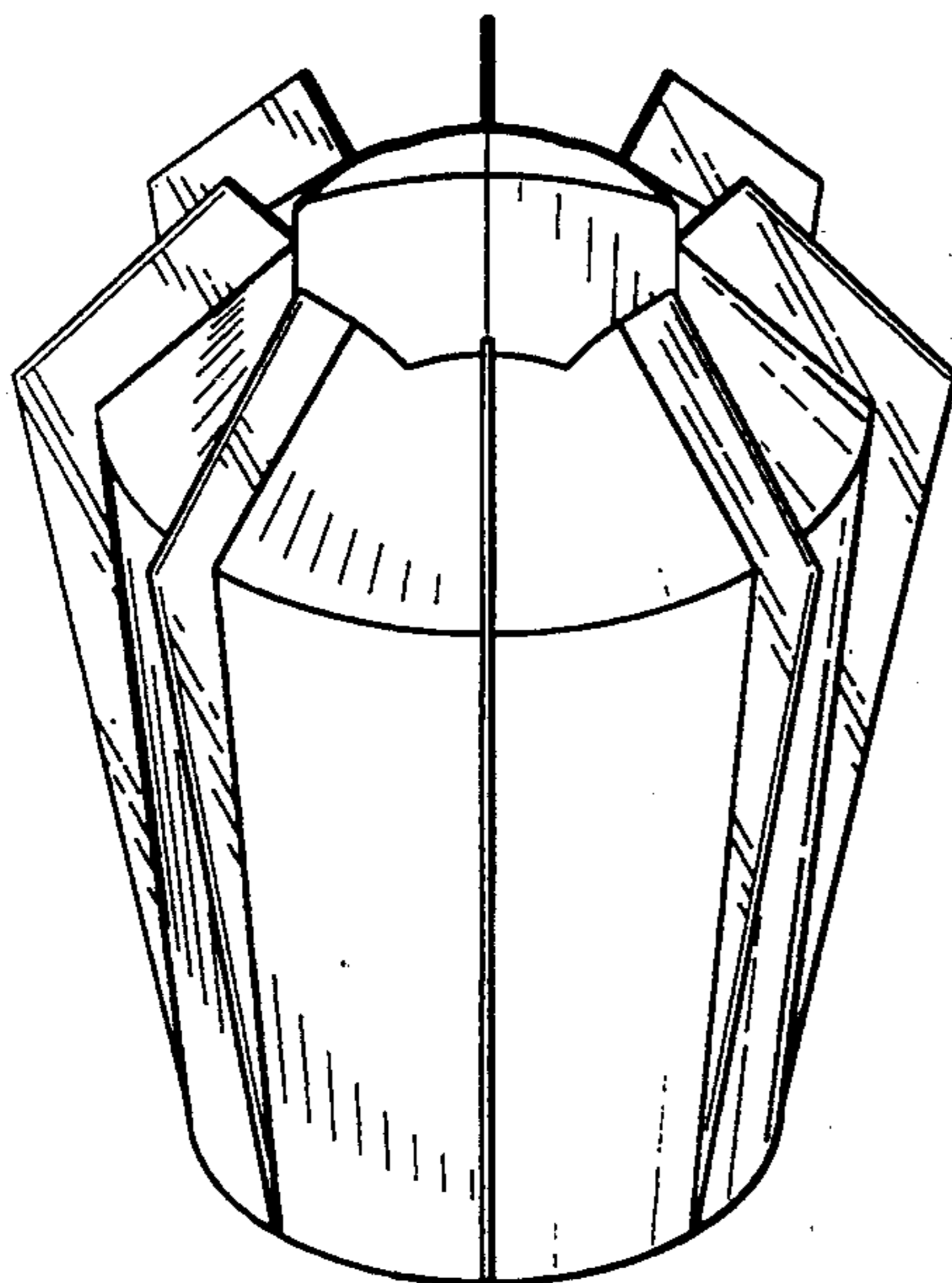
Primary Examiner—Jeffrey Asch
Attorney, Agent, or Firm—Dunlap & Codding

[57] CLAIM

The ornamental design for a flower pot cover with fins, as shown and described.

DESCRIPTION

FIG. 1 is a perspective view of our new flower pot cover with fins design;
 FIG. 2 is a side elevational view thereof;
 FIG. 3 is a top plan view thereof;
 FIG. 4 is a bottom plan view thereof;
 FIG. 5 is a side elevational view of a second embodiment of the design of FIG. 1, the only difference being the size of the base; and,
 FIG. 6 is a side elevational view of a third embodiment of the design of FIG. 1, the only difference being the size of the base.
 The flower pot cover with fins has no substantial thickness.



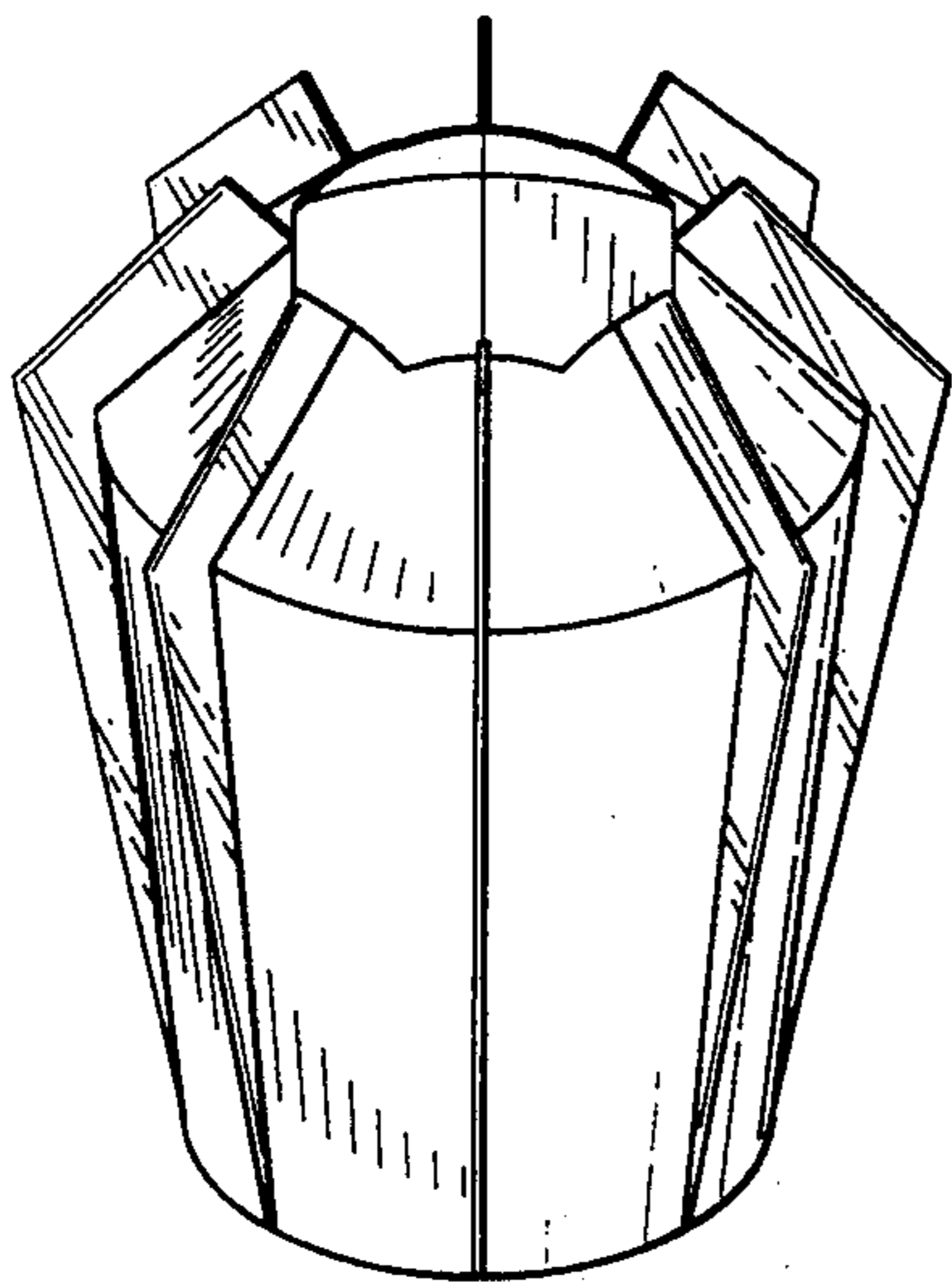


FIG. 1

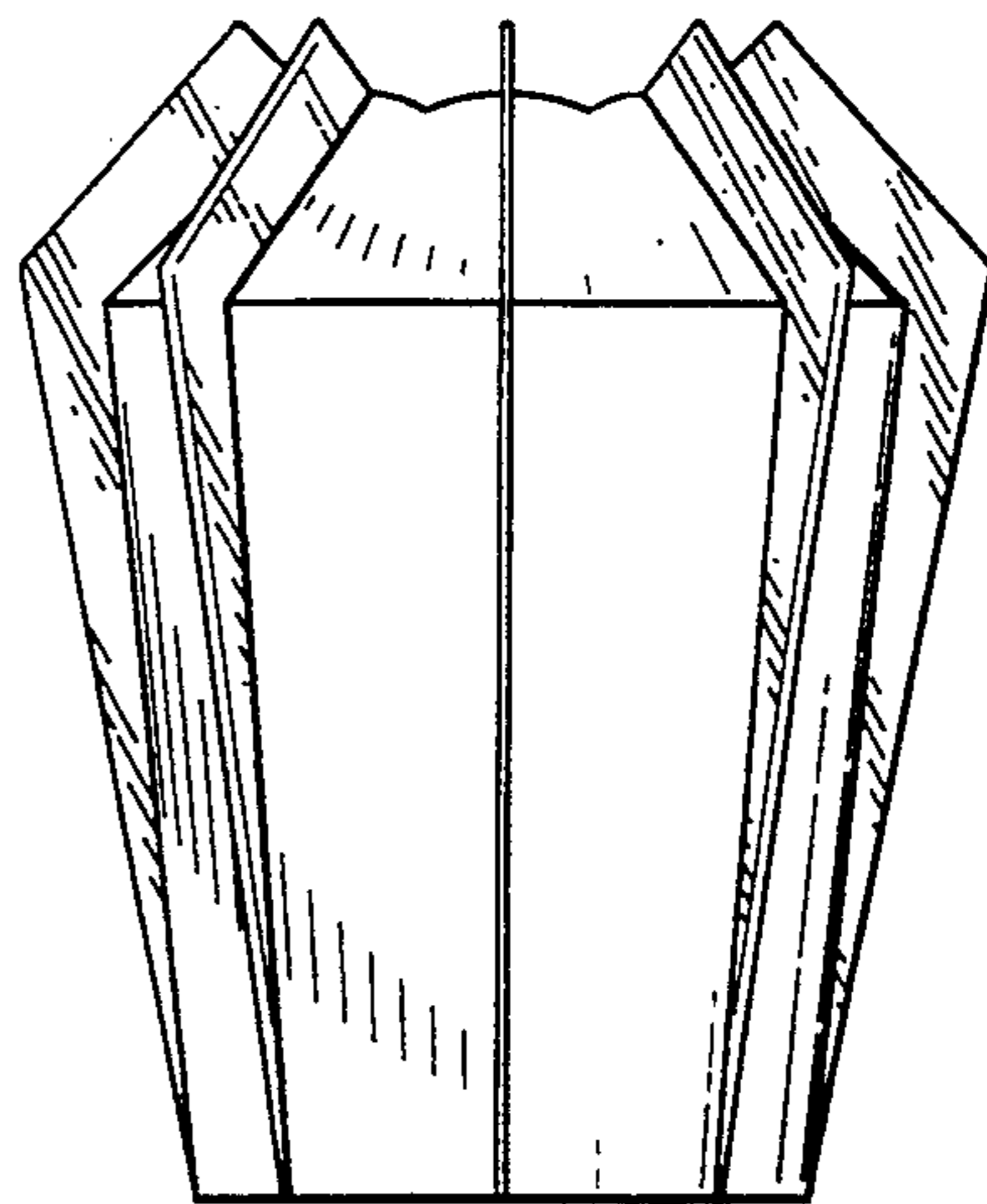


FIG. 2

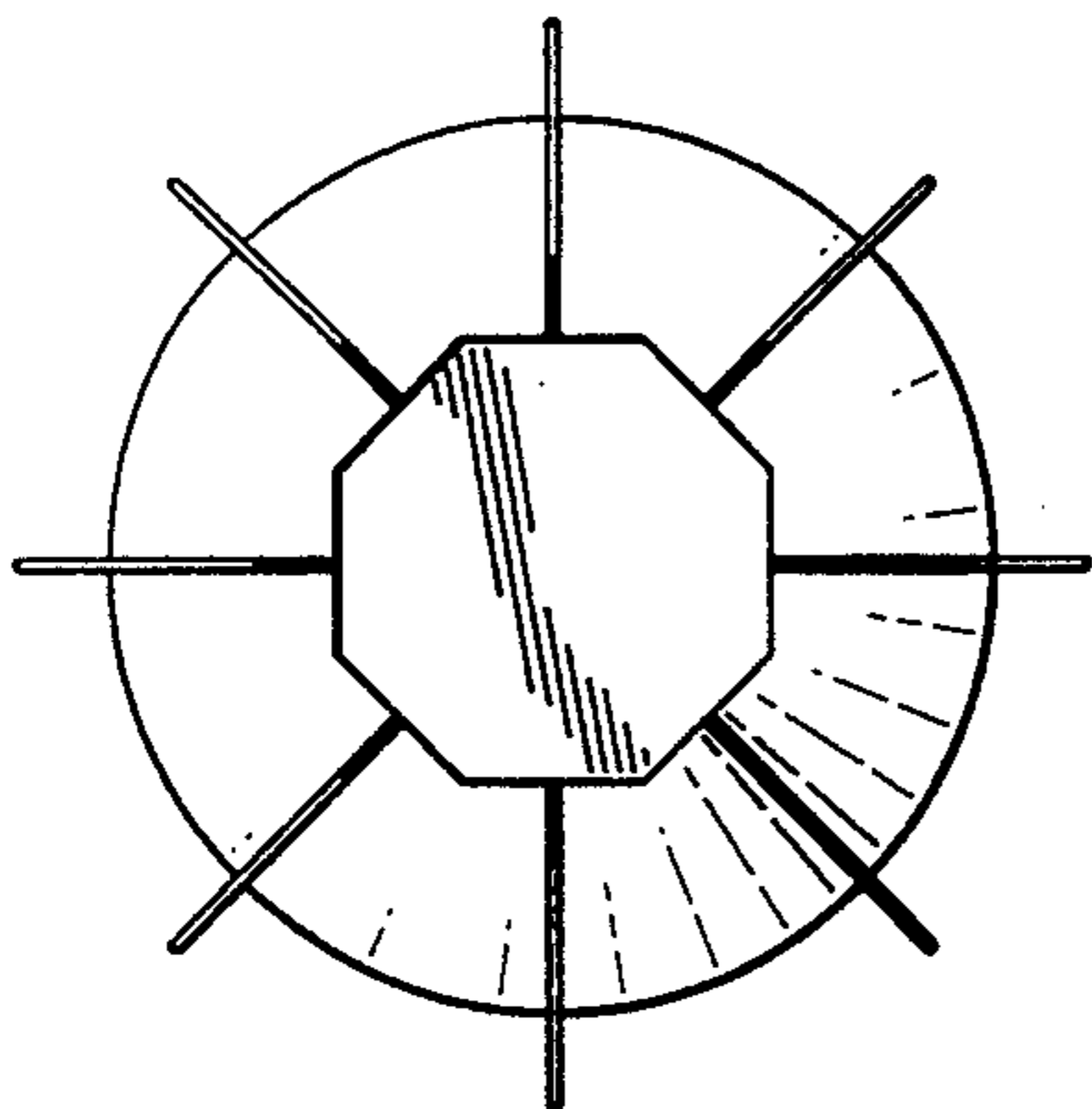


FIG. 3

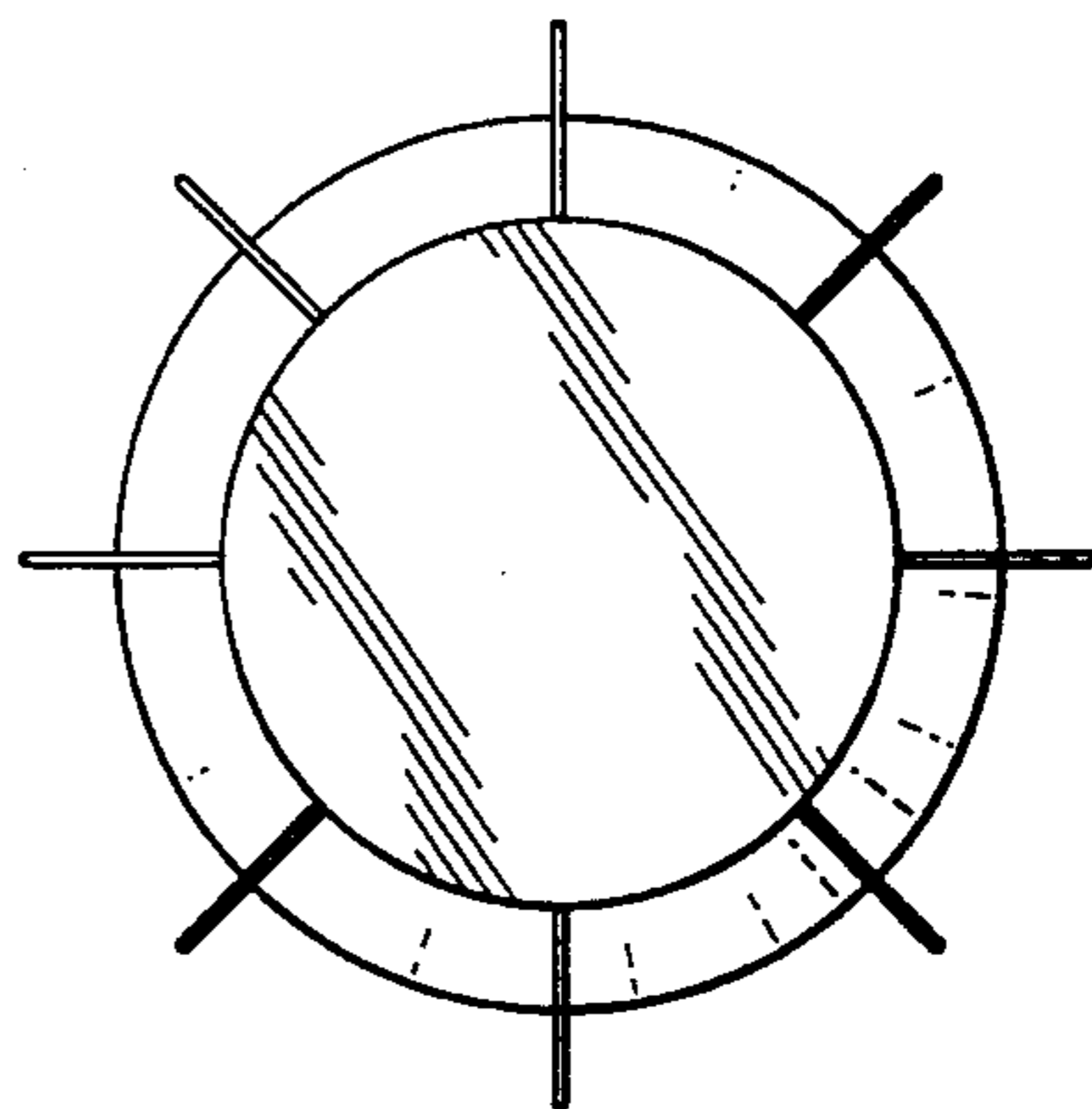


FIG. 4

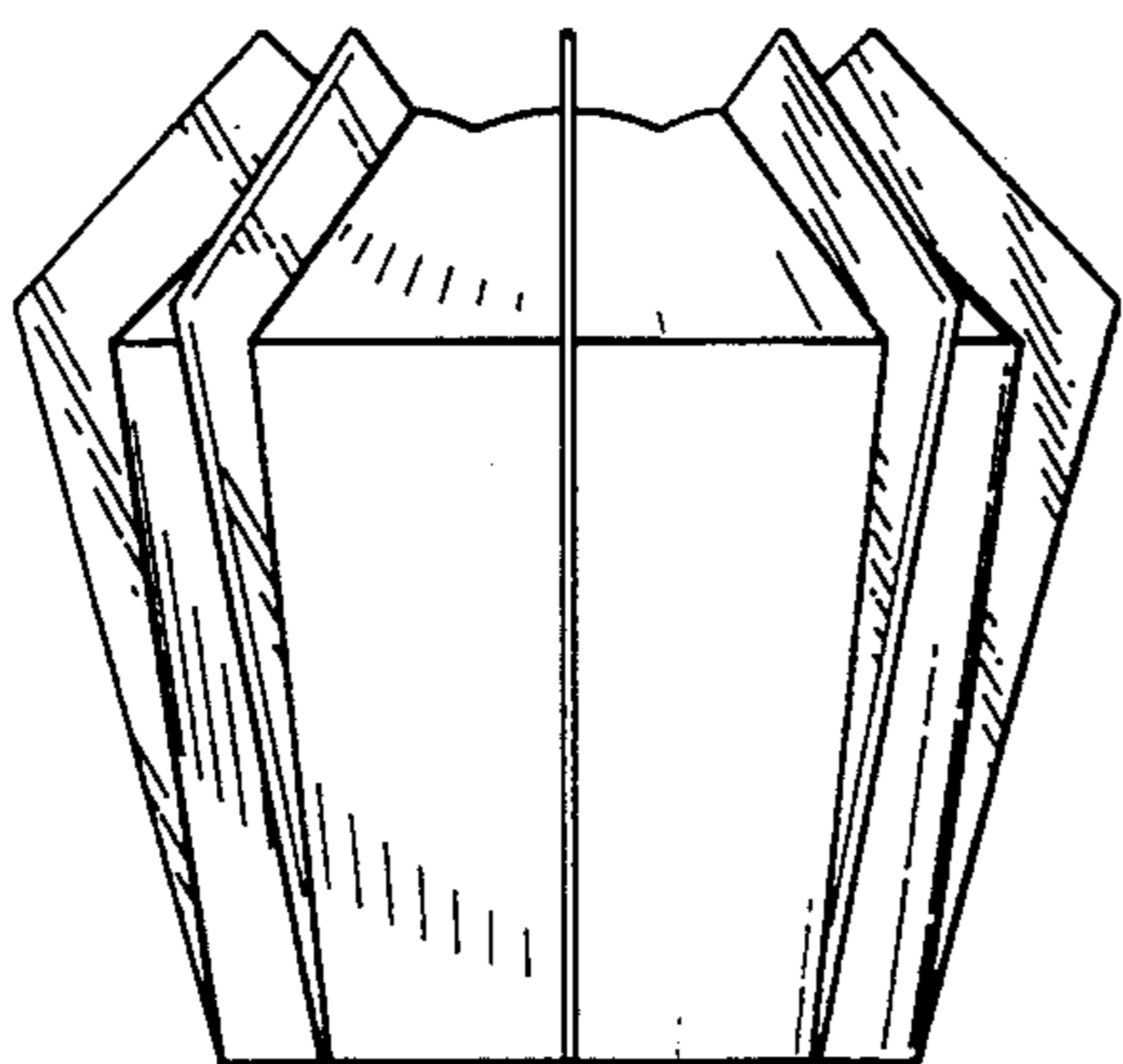


FIG. 5

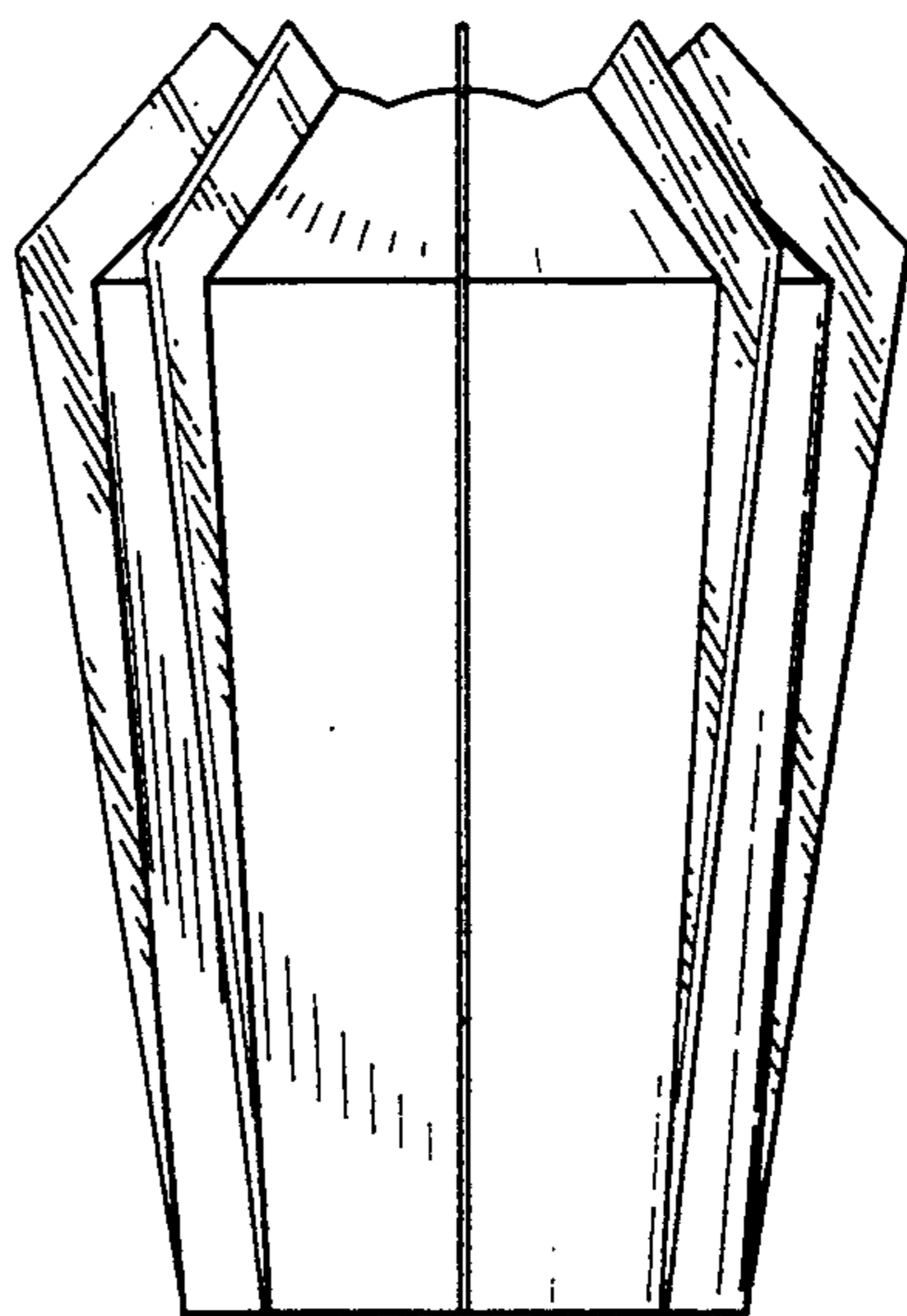


FIG. 6